

[54] CONDIMENT GRINDING DEVICE

[76] Inventor: David A. Cowan, 50-52 Paul Street, London EC2A 4DU, England

[**] Term: 14 Years

[21] Appl. No.: 539,955

[22] Filed: Oct. 7, 1983

[52] U.S. Cl. D7/387

[58] Field of Search D7/53, 387, 391, 392, D7/414; D9/436, 437, 454; 241/262.1, 261.2, 169.1

[56] References Cited

U.S. PATENT DOCUMENTS

175,535	3/1876	Webber	241/261.1	X
D. 234,344	2/1975	Schick	D9/436	
1,027,019	5/1912	Warstler et al.	241/261.1	
1,523,070	1/1925	Hush	241/261.2	
3,371,874	3/1968	Reeves et al.	241/169.1	
3,472,410	10/1969	Turner	D9/454	X

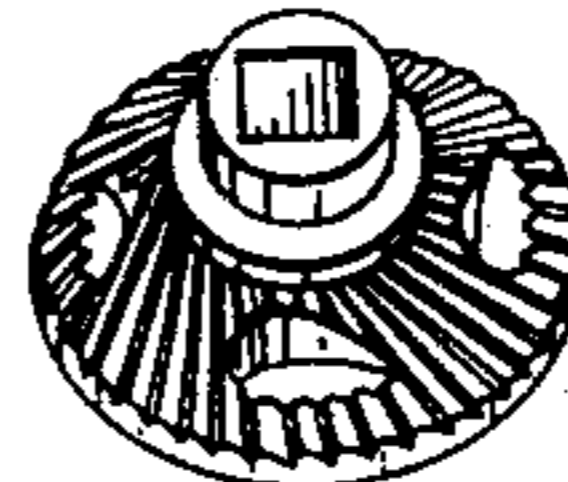
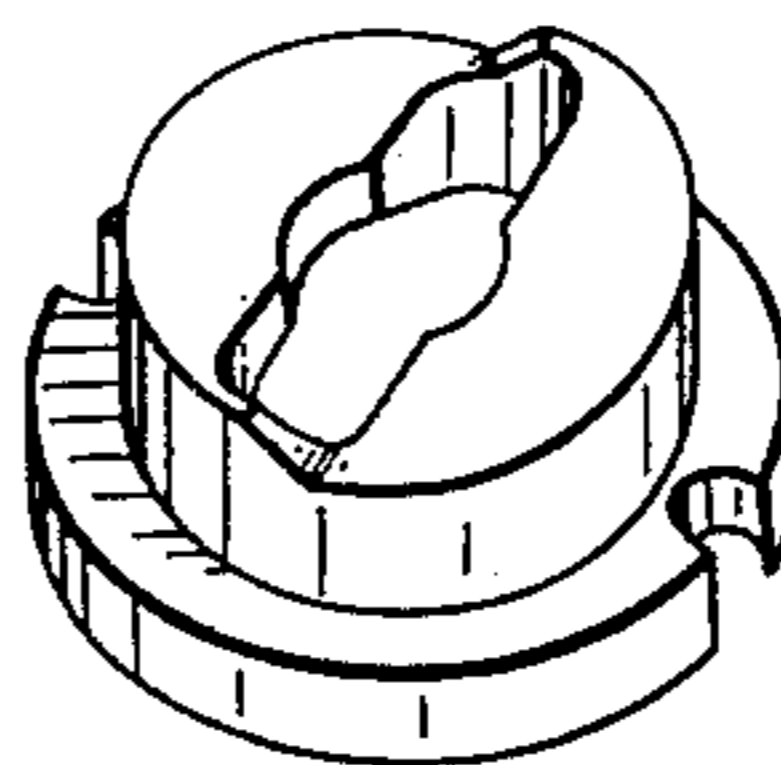
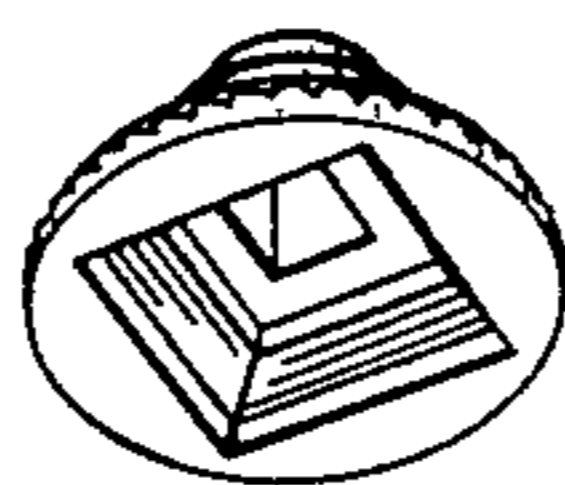
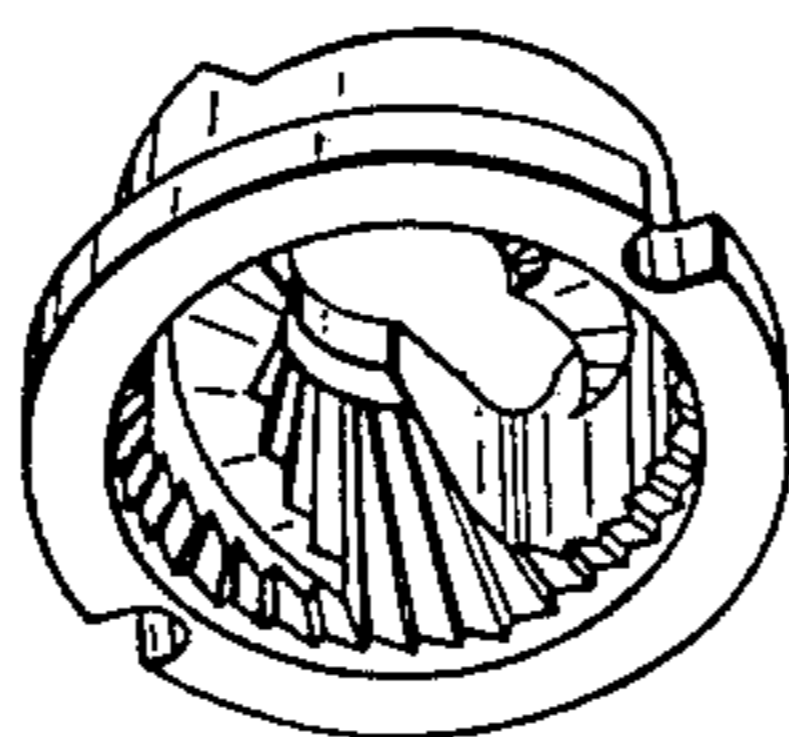
Primary Examiner—Bernard Ansher
Assistant Examiner—Terry Pfeffer
Attorney, Agent, or Firm—Anthony A. O'Brien

[57] CLAIM

The ornamental design for condiment grinding device, as shown and described.

DESCRIPTION

FIG. 1 is a bottom perspective view of a condiment grinding device showing my new design; FIG. 2 is an exploded bottom perspective view thereof; FIG. 3 is an exploded top perspective view thereof; FIG. 4 is a bottom plan view of the inner portion thereof, shown separately for clarity of illustration; FIG. 5 is a top plan view of the inner portion thereof, shown separately for clarity of illustration; FIG. 6 is a cross-section taken along line 6—6 FIG. 4; FIG. 7 is a bottom plan view of the outer portion thereof, shown separately for clarity of illustration; and FIG. 8 is a cross-section taken along line 8—8 of FIG. 7.



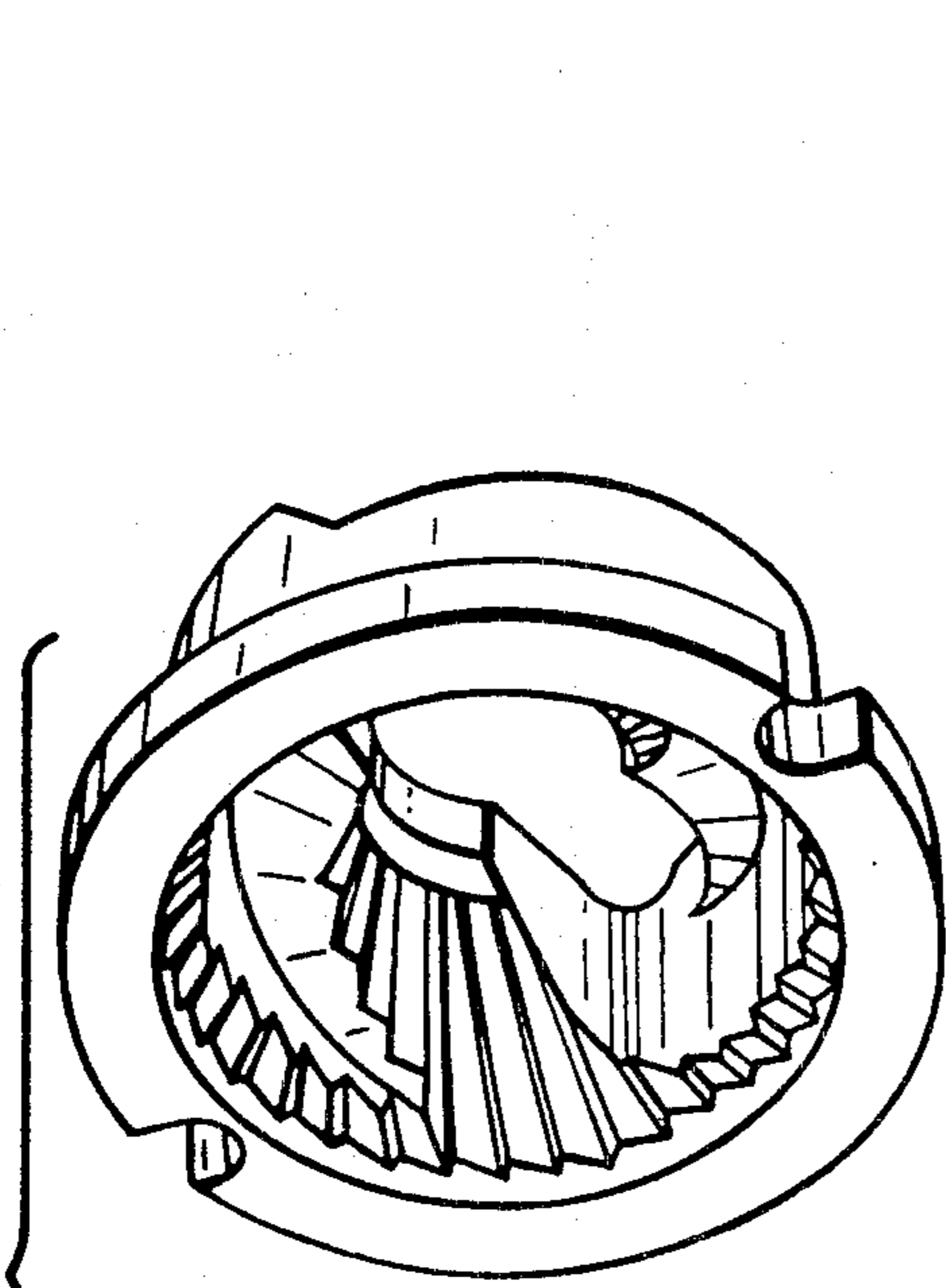


FIG. 1.

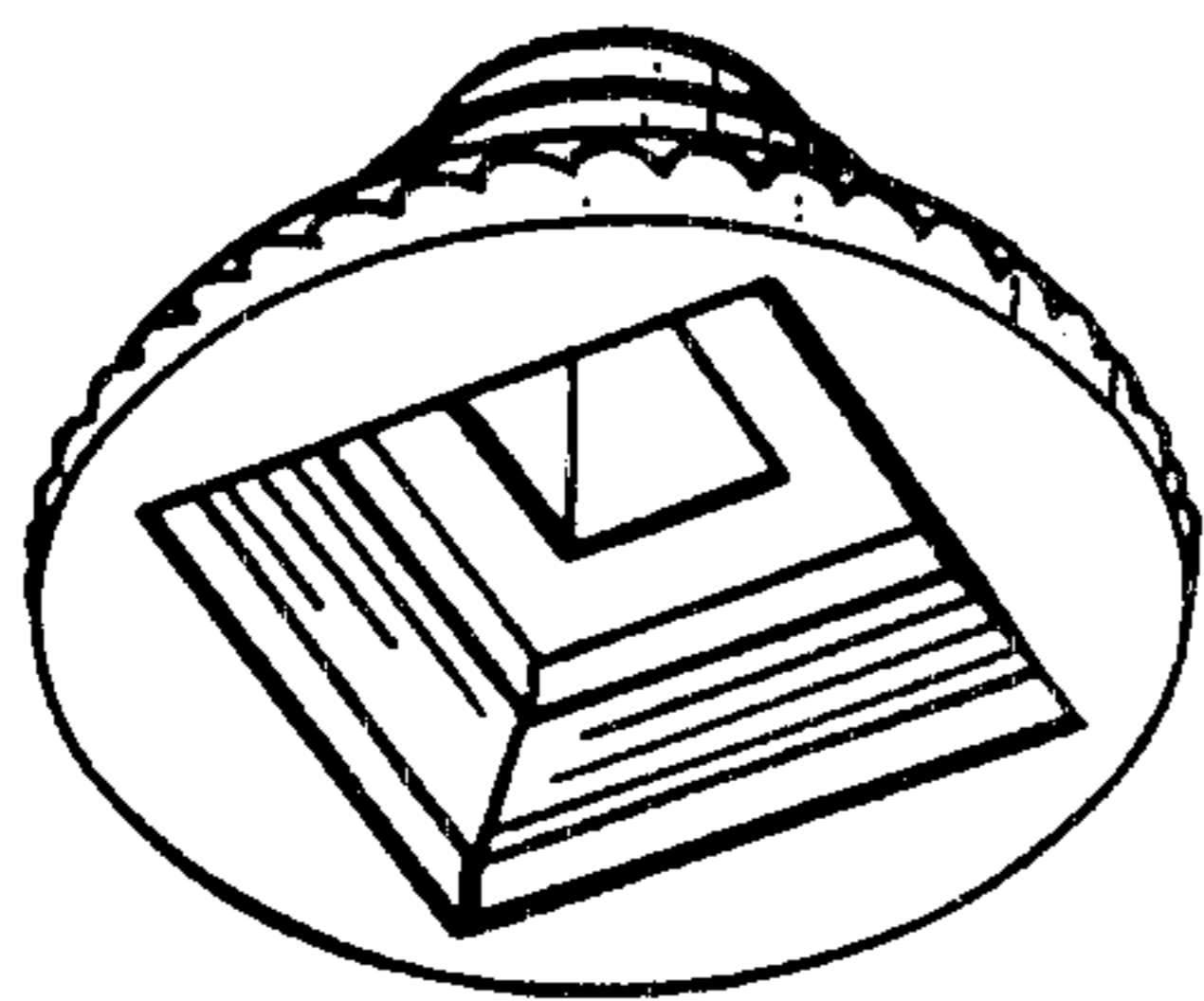


FIG. 2.

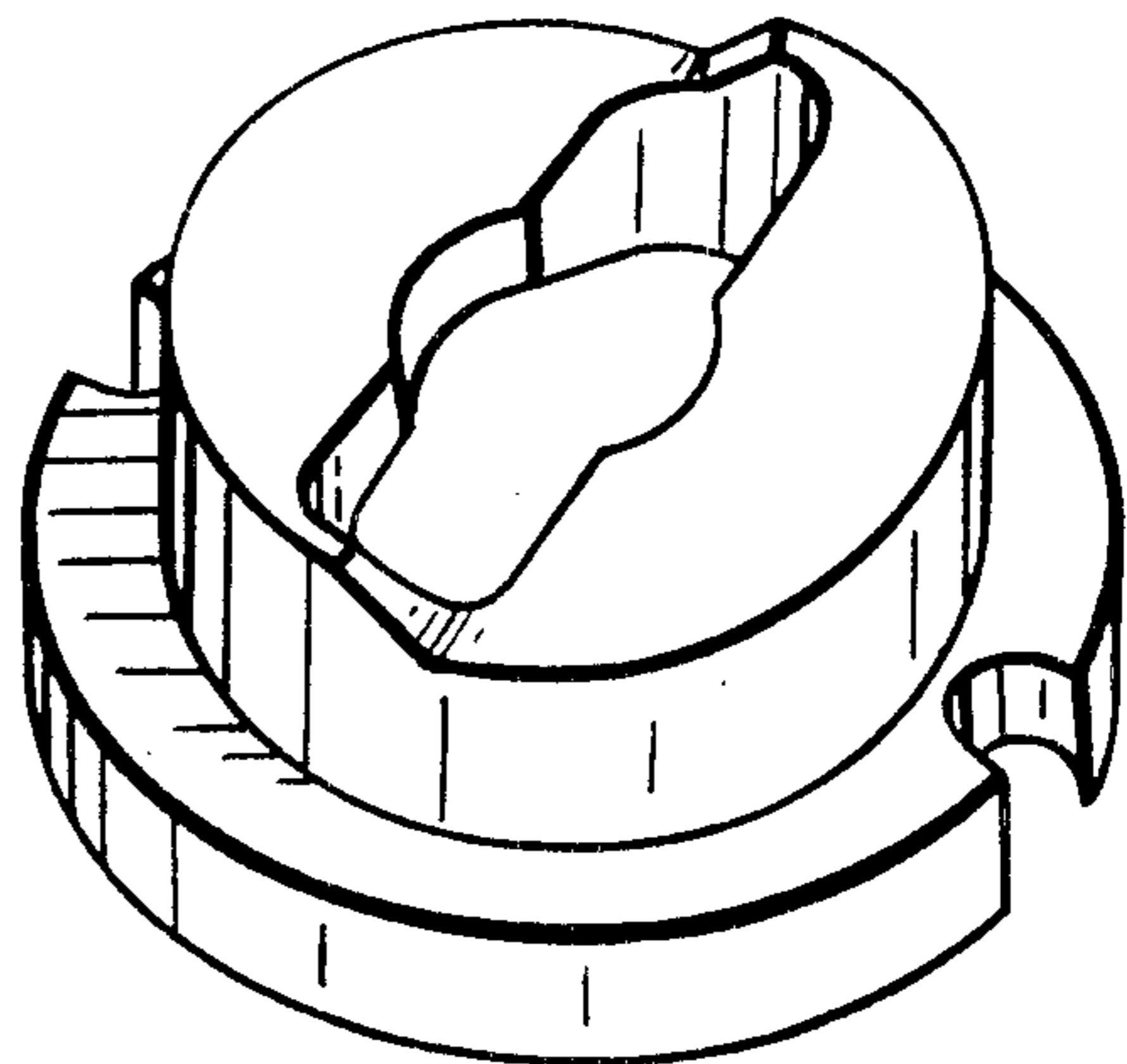


FIG. 3.

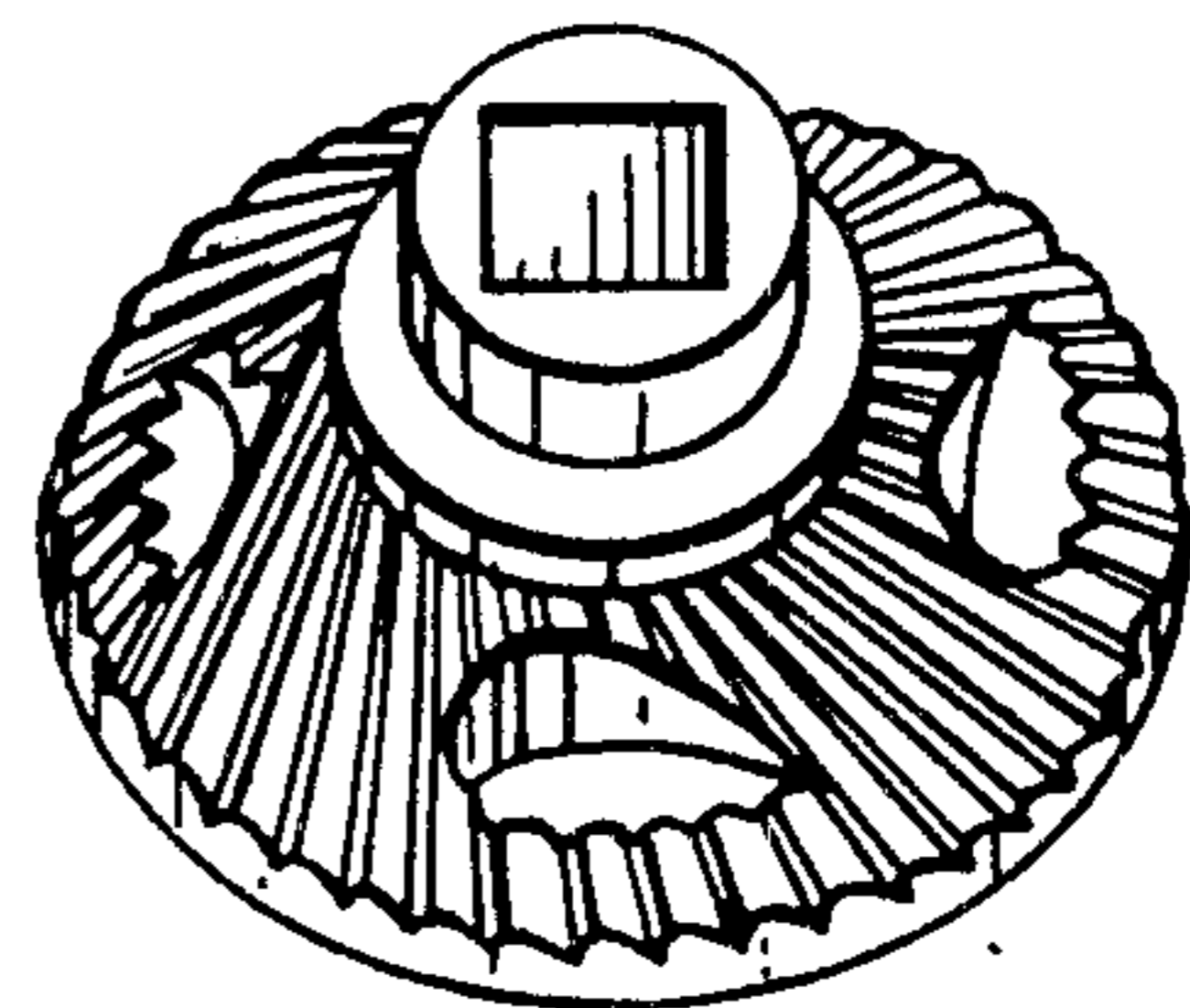


FIG. 4.

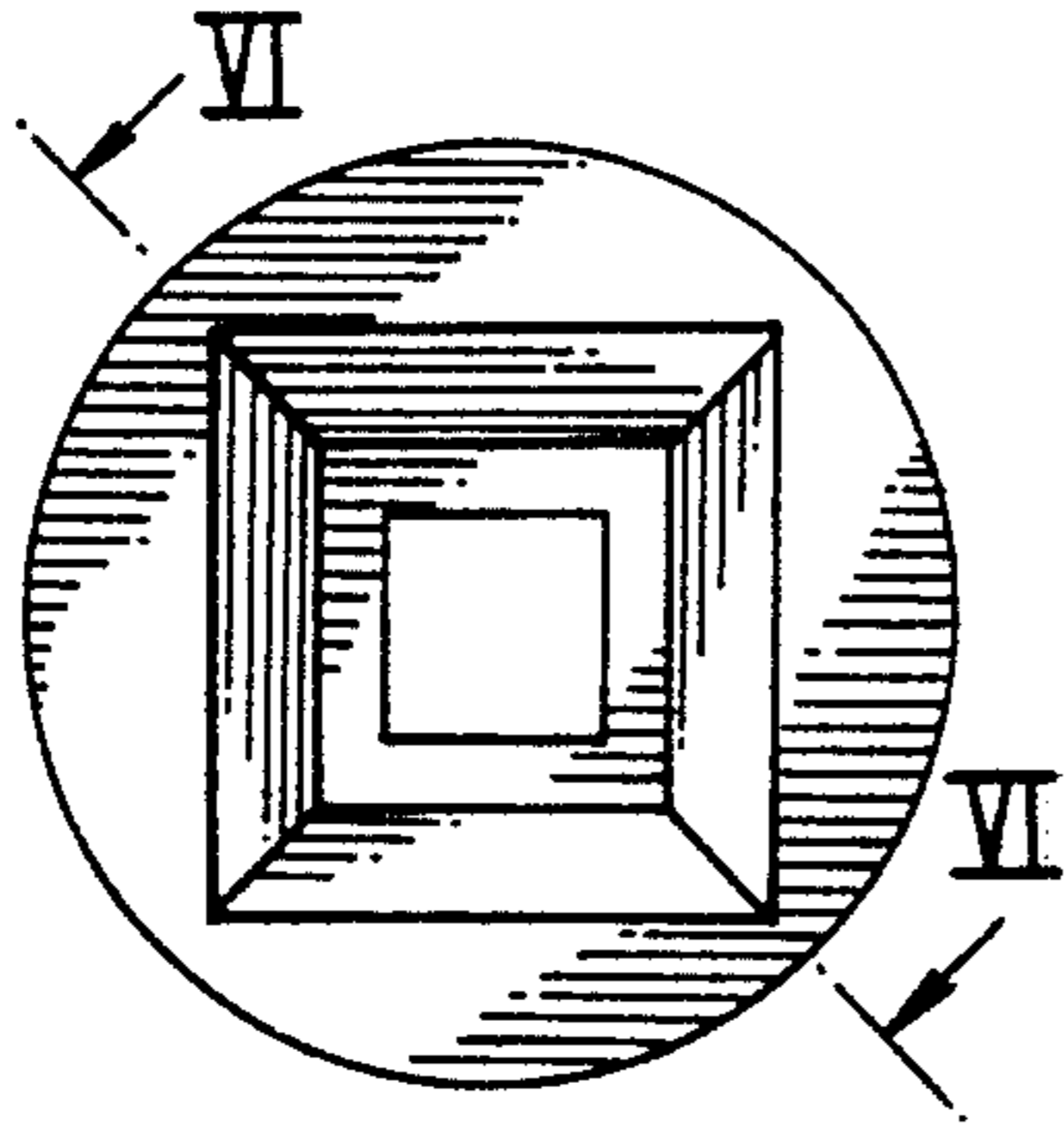


FIG. 5.

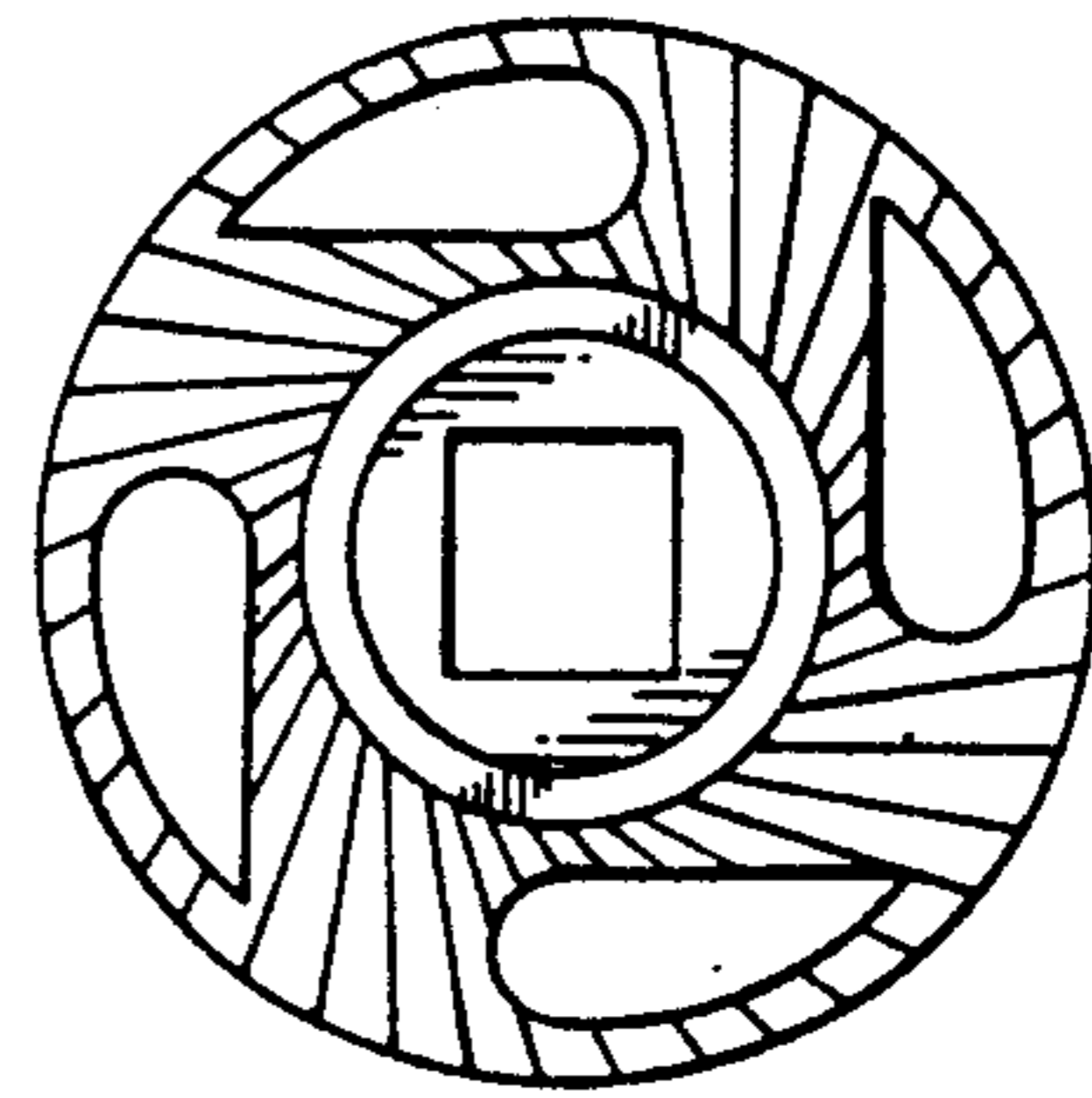


FIG. 6.

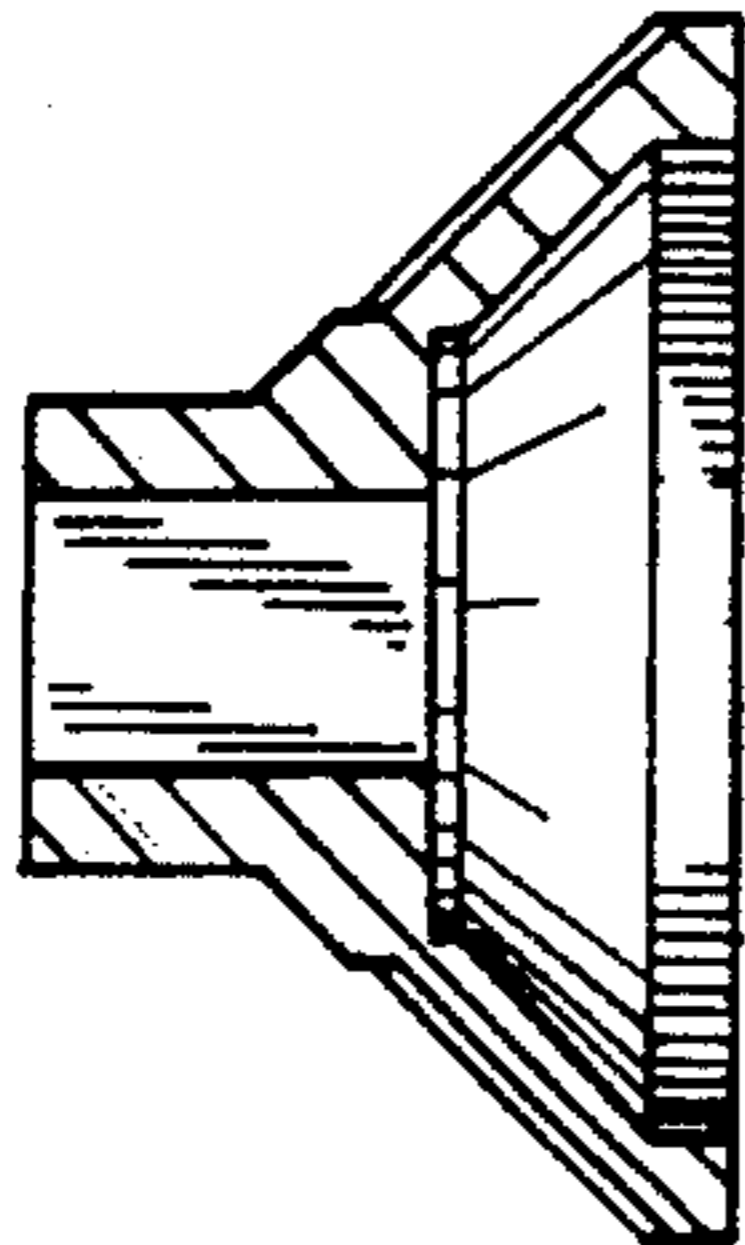


FIG. 7.

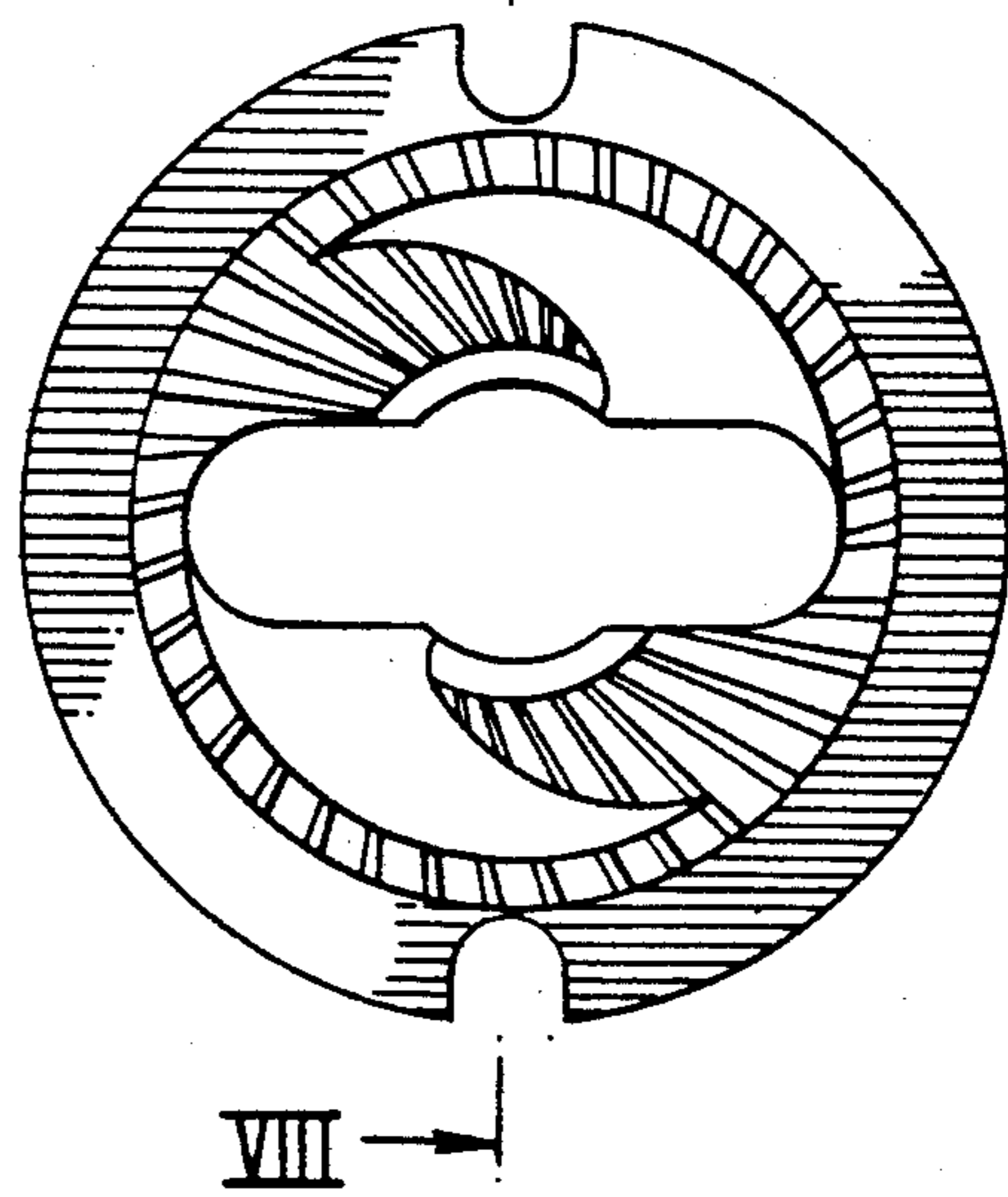


FIG. 8.

