

[54] LOAF PAN OR THE LIKE

[75] Inventors: Robert H. C. M. Daenen, Hekelgem; Pieter K. J. DeCoster, Aalst, both of Belgium; Martin J. Wolff, North Providence, R.I.

[73] Assignee: Dart Industries Inc., Northbrook, Ill.

[\*] Notice: The portion of the term of this patent subsequent to Jan. 6, 2001 has been disclaimed.

[\*\*] Term: 14 Years

[21] Appl. No.: 698,708

[22] Filed: Feb. 6, 1985

[52] U.S. Cl. .... D7/21; D7/1

[58] Field of Search ..... D9/425, 435, 432, 430, D9/424; D11/155; D7/76, 21, 19, 77, 354, 28, 18, 16, 360, 17

[56] References Cited

U.S. PATENT DOCUMENTS

- D. 111,314 9/1938 Titze ..... D7/17
- D. 115,161 6/1939 Stopa ..... D7/354
- D. 211,272 6/1968 Stageberg ..... D7/354
- D. 212,437 10/1968 Paxton ..... D9/425 X

- D. 229,329 11/1973 Jansen ..... D9/425 X
- D. 253,331 11/1979 Olschewski ..... D7/16 X
- 4,294,371 10/1981 Davis ..... D7/16 X

OTHER PUBLICATIONS

*Anchor Hocking 1967 Catalog*, "Candle-Glow" Ovenware, Casseroles, #W441/73 Loaf Pan (p. 44), #W441/431/73 (p. 45).

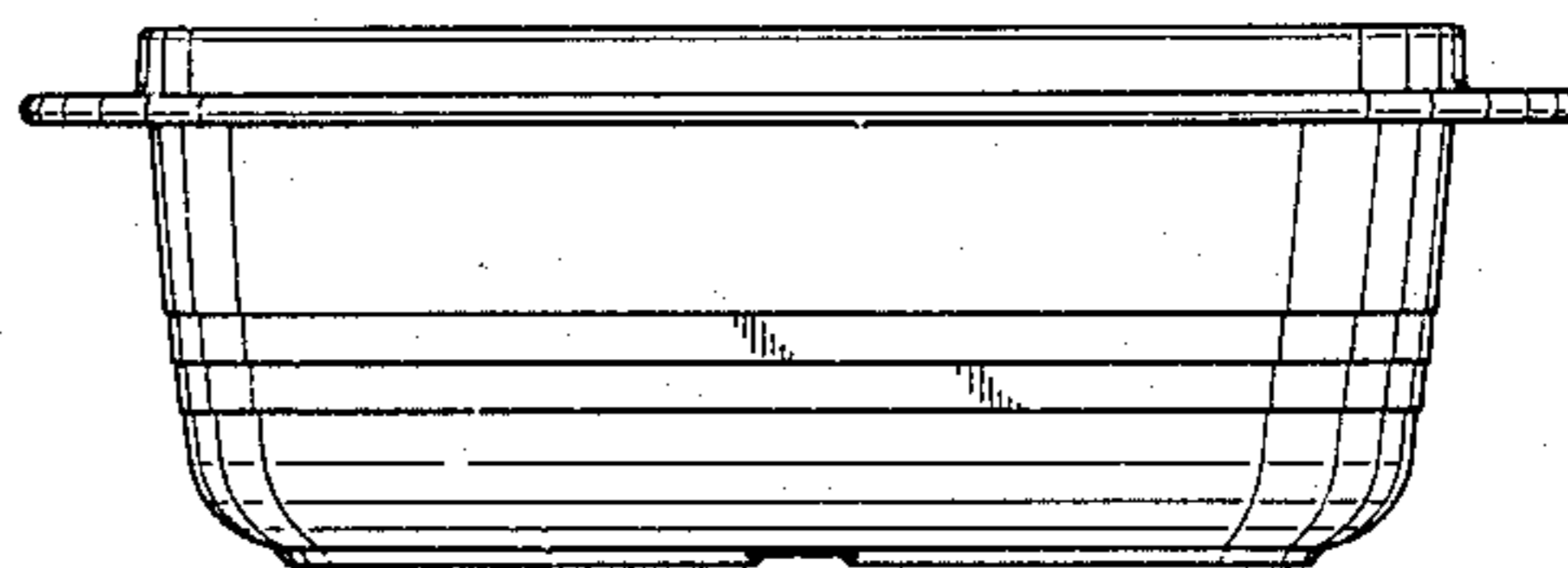
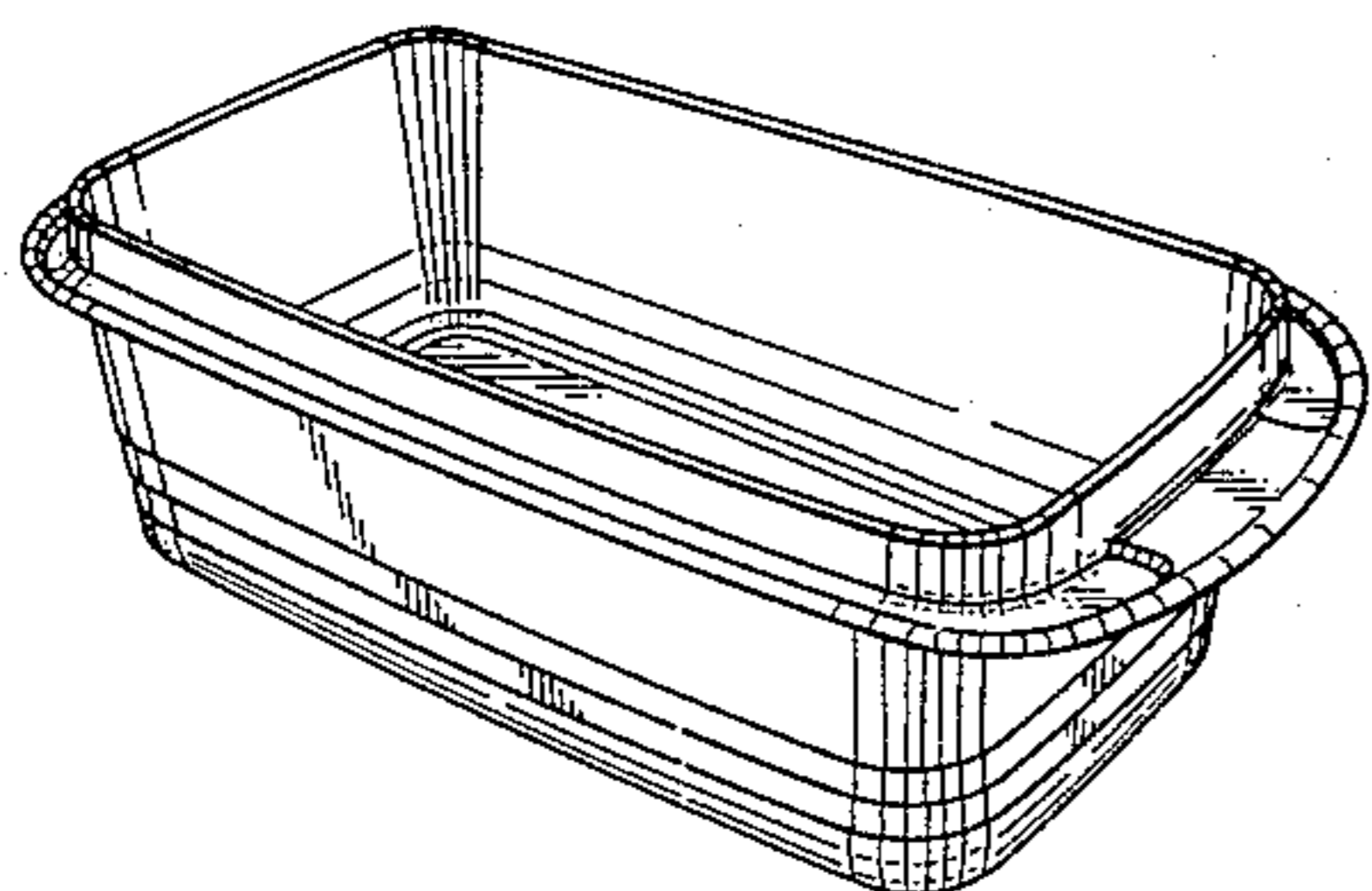
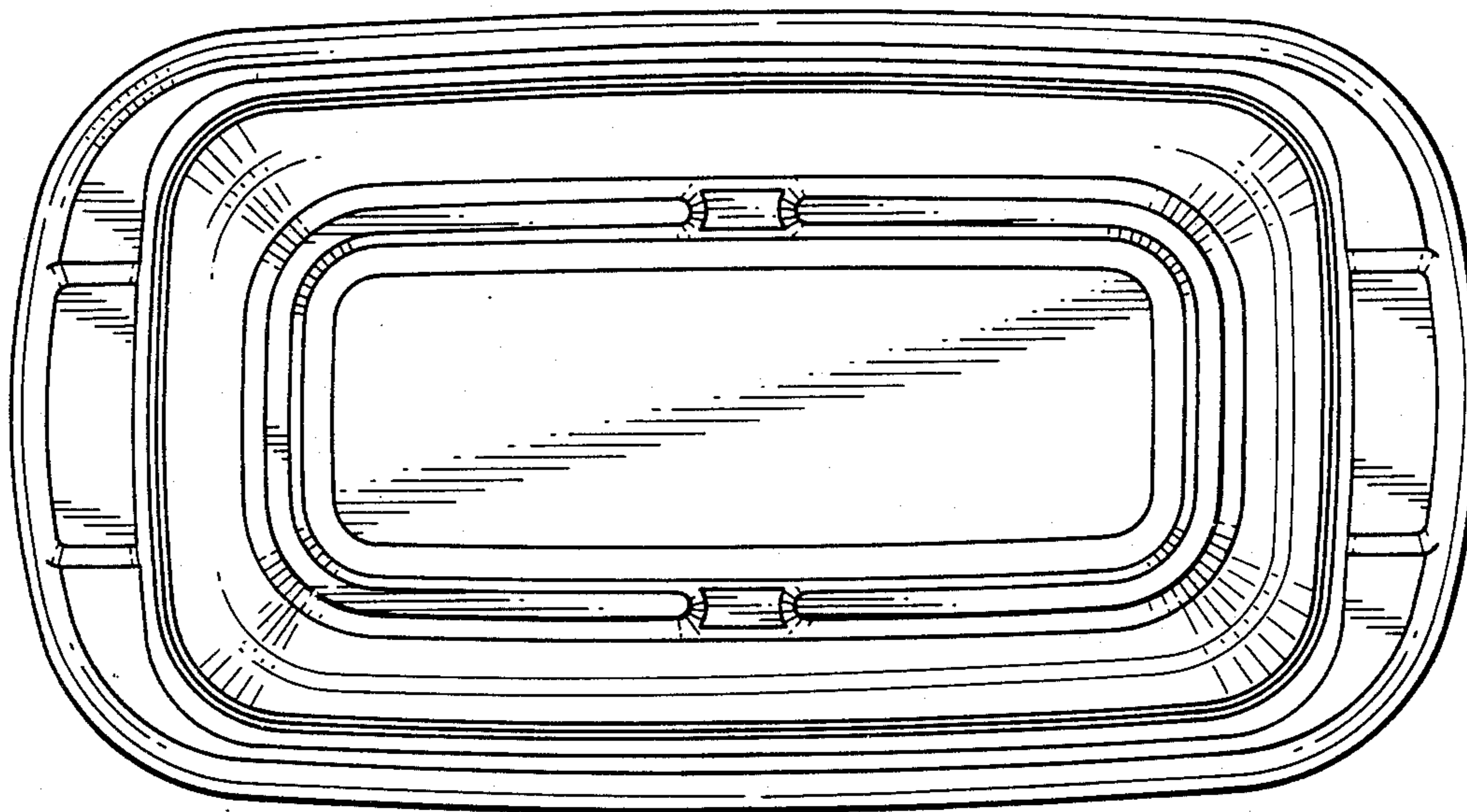
*Primary Examiner*—Winifred E. Herrmann  
*Attorney, Agent, or Firm*—John A. Doninger

[57] CLAIM

The ornamental design for a loaf pan or the like, substantially as shown and described.

DESCRIPTION

FIG. 1 is a top perspective view of a loaf pan or the like showing our new design;  
 FIG. 2 is a side elevation thereof, the opposite side being identical thereto;  
 FIG. 3 is an end elevation thereof, the opposite end being identical thereto;  
 FIG. 4 is a top plan view thereof;  
 FIG. 5 is a bottom plan view thereof;  
 FIG. 6 is a cross-sectional view taken along line 6—6 in FIG. 4.



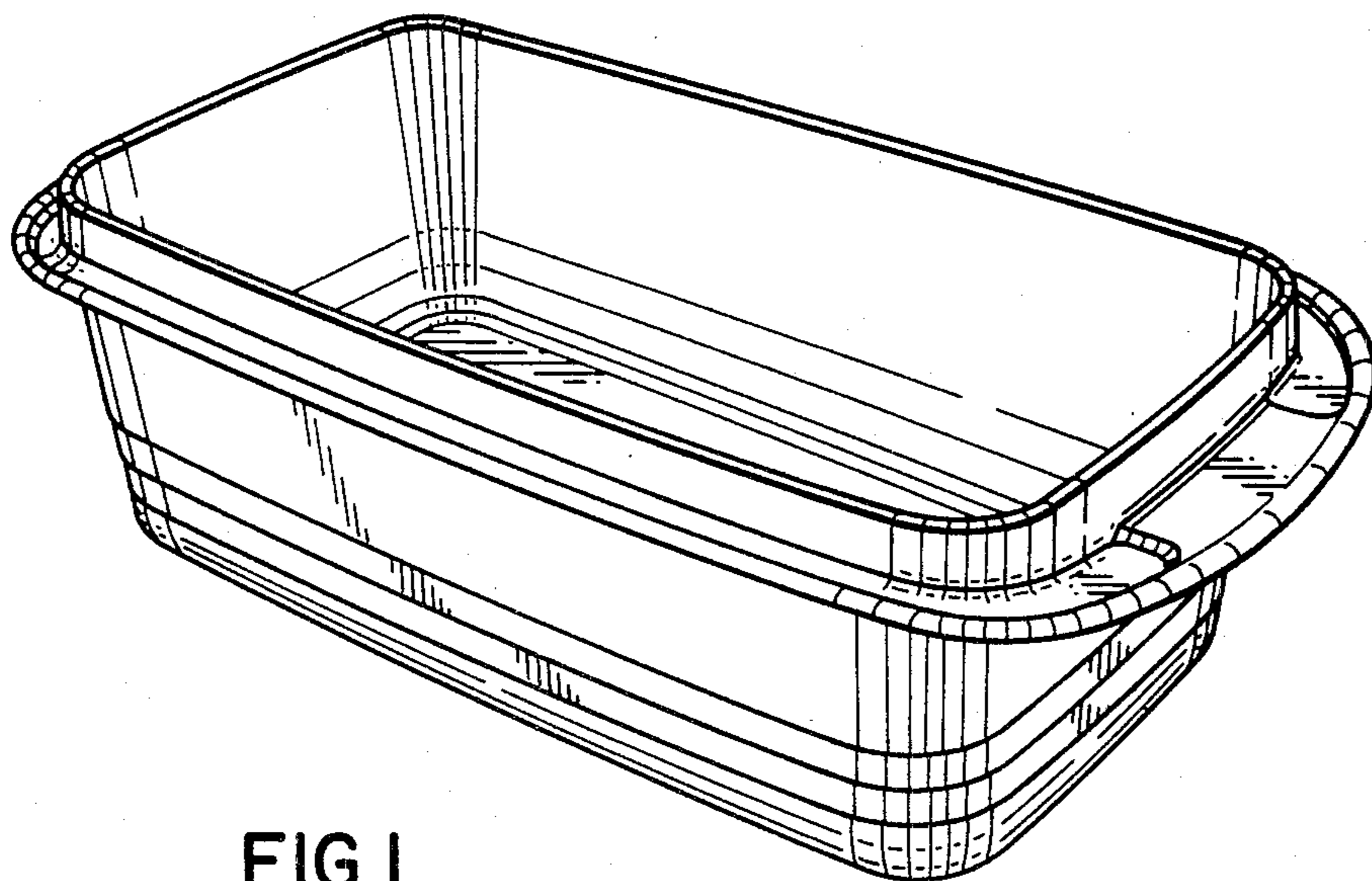


FIG. 1

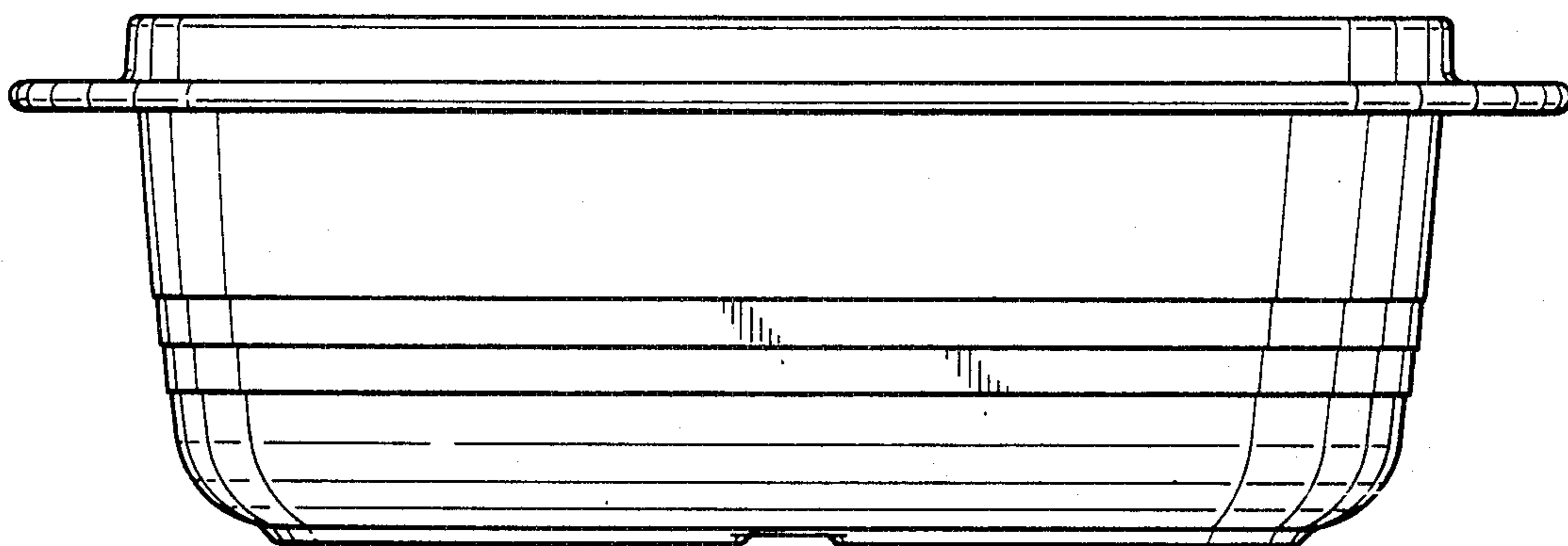


FIG. 2

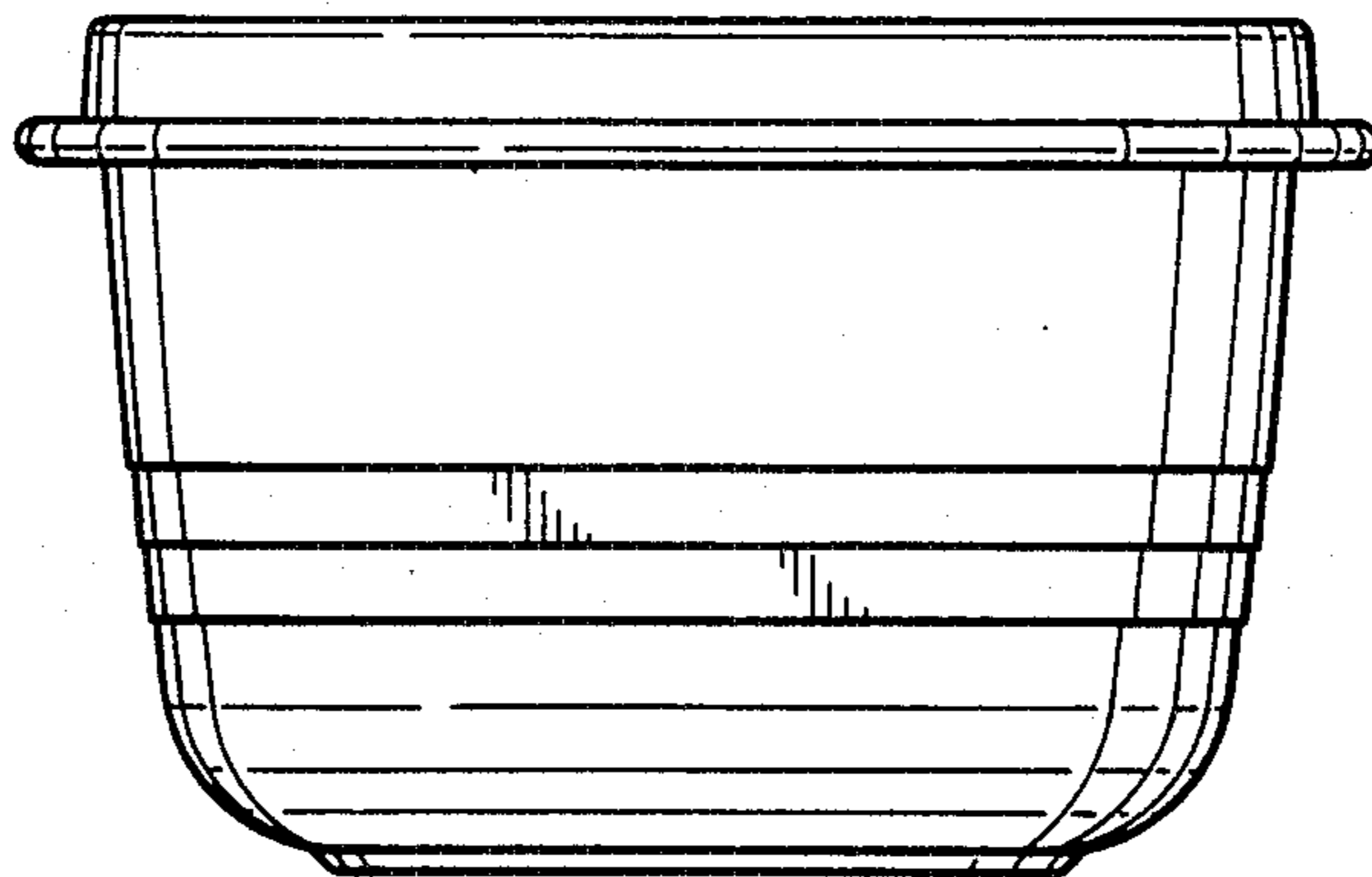


FIG. 3



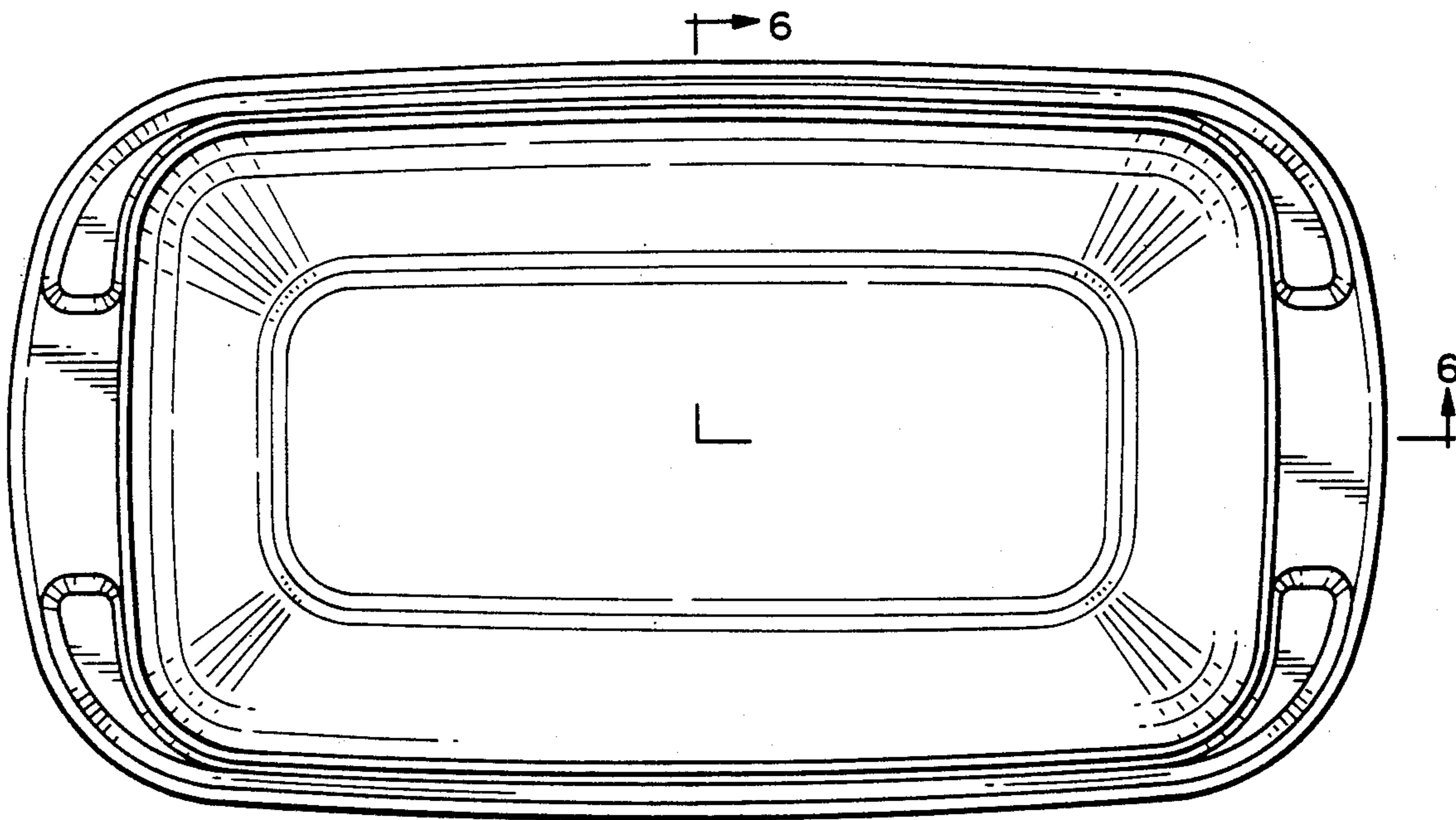


FIG. 4

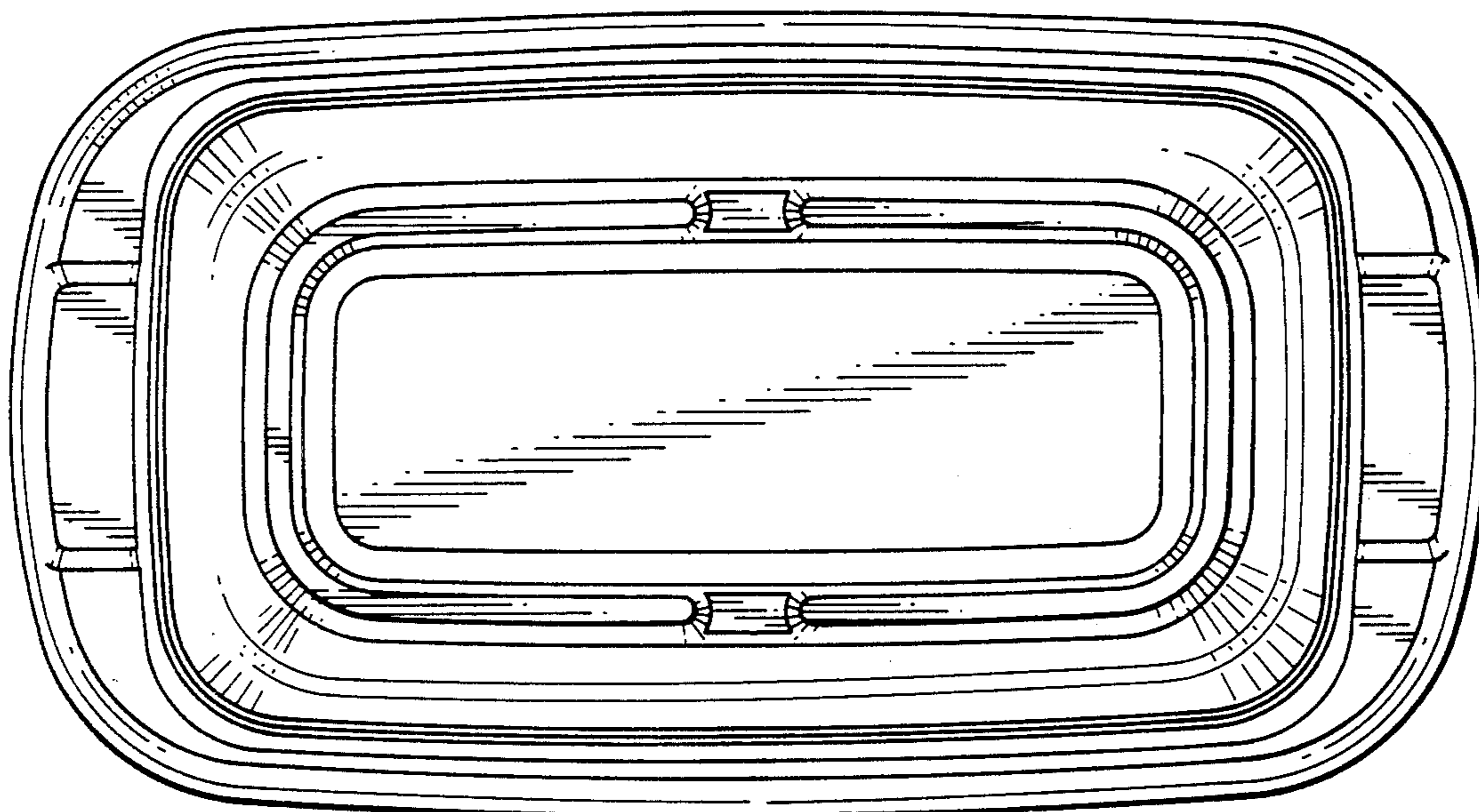


FIG. 5

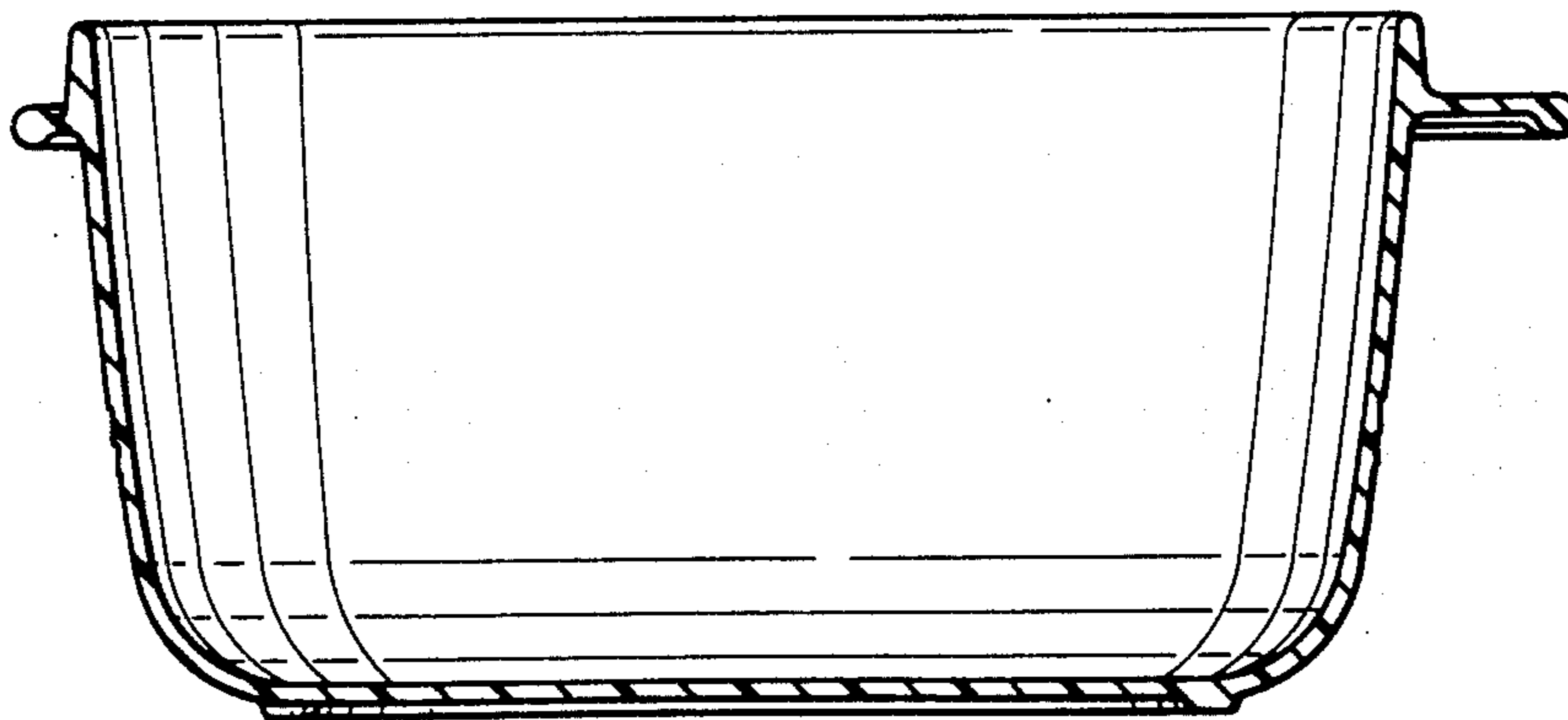


FIG. 6