

[54] DISPENSER

2,868,603 1/1959 Wilkinson 312/42
3,352,614 11/1967 Andersen 312/42

[76] Inventor: Charles M. Braun, 221 Weldon,
South Houston, Tex. 77587

[**] Term: 14 Years

[21] Appl. No.: 679,266

[22] Filed: Dec. 7, 1984

[52] U.S. Cl. D6/515; D6/517;
D7/76

[58] Field of Search D6/515, 517, 573;
221/191, 194, 282; 312/42, 45, 72, 73; D7/76,
79

OTHER PUBLICATIONS

Woodpecker Woodware Cat.; p. D, Antique Dispenser
#576 (upper left).

Primary Examiner—B. J. Bullock
Attorney, Agent, or Firm—Dodge, Bush & Moseley

[57] CLAIM

The ornamental design for dispenser, substantially as
shown and described.

DESCRIPTION

FIG. 1 is a perspective view of a dispenser showing my
new design;

FIG. 2 is a front elevational view thereof, the rear being
unornamented;

FIG. 3 is a left side elevational view thereof;

FIG. 4 is a right side elevational view thereof;

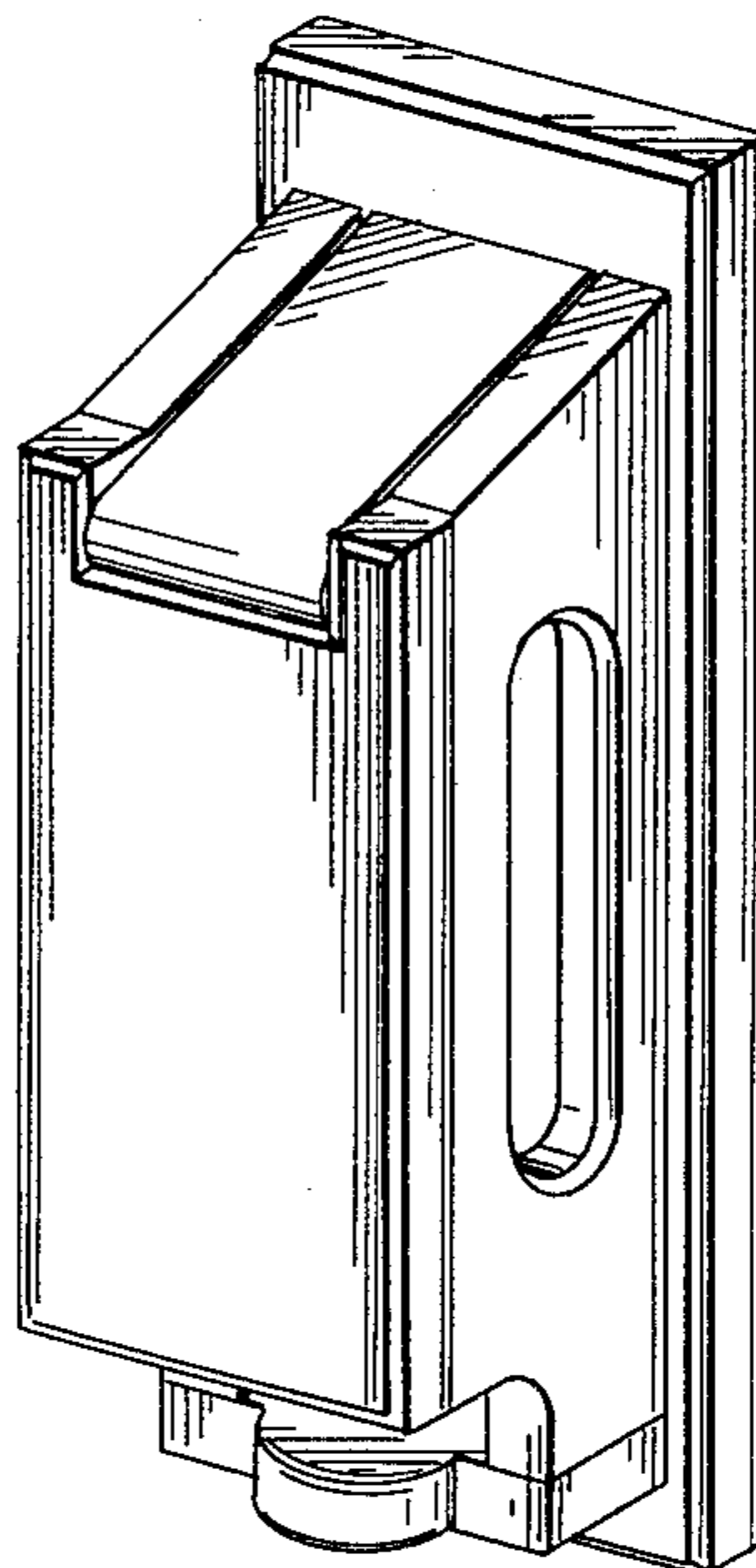
FIG. 5 is a top plan view thereof;

FIG. 6 is a bottom plan view thereof.

[56] References Cited

U.S. PATENT DOCUMENTS

D. 85,566	11/1931	Young	D6/515
D. 195,882	8/1963	Penney	D6/517
D. 249,764	10/1978	Burklacich	D6/517
D. 280,873	10/1985	Whidden	D6/553
1,272,965	7/1918	Kartzmark	221/191
1,980,819	11/1934	Nelson	312/42



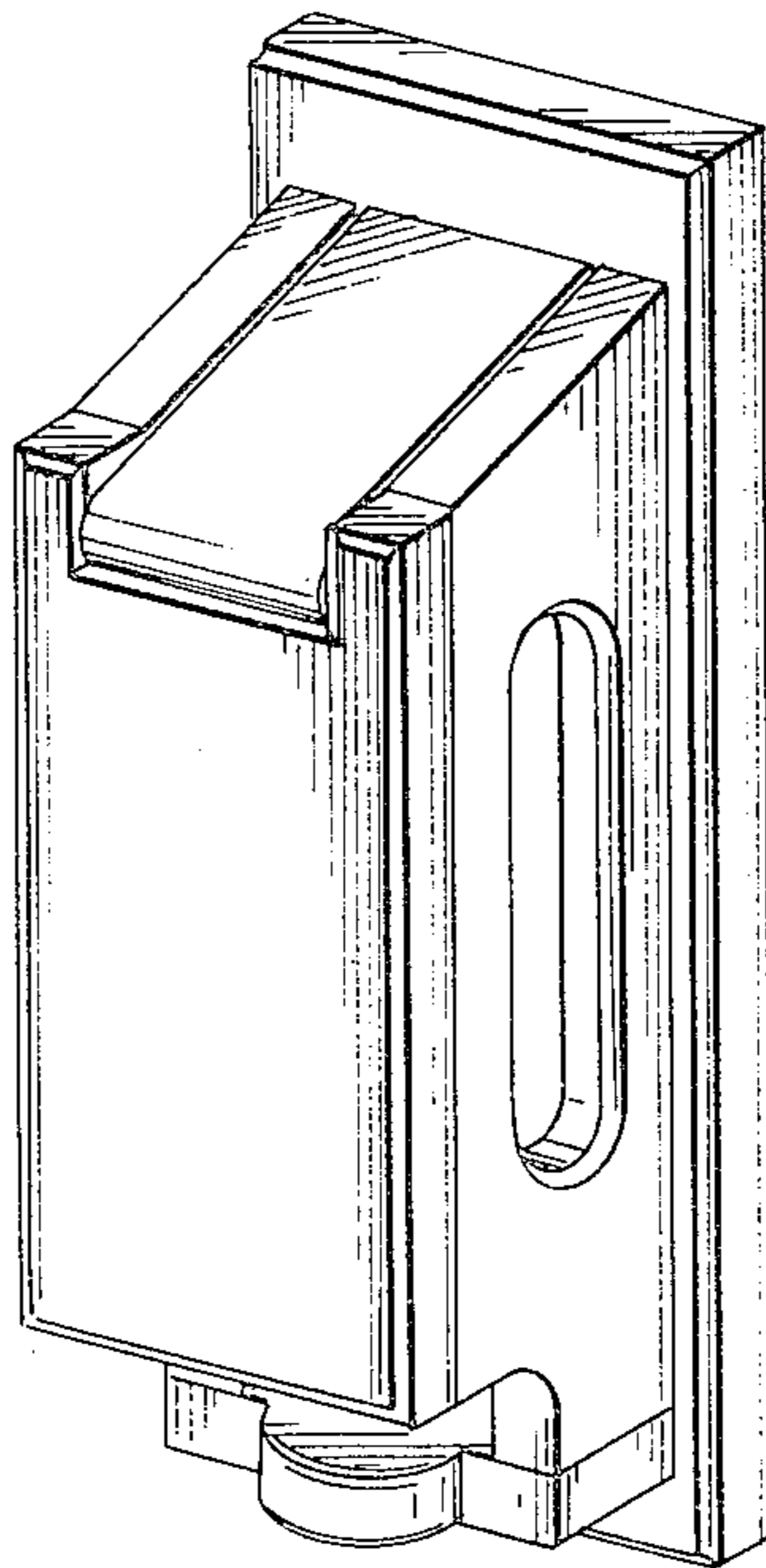


FIG. 1

FIG. 5

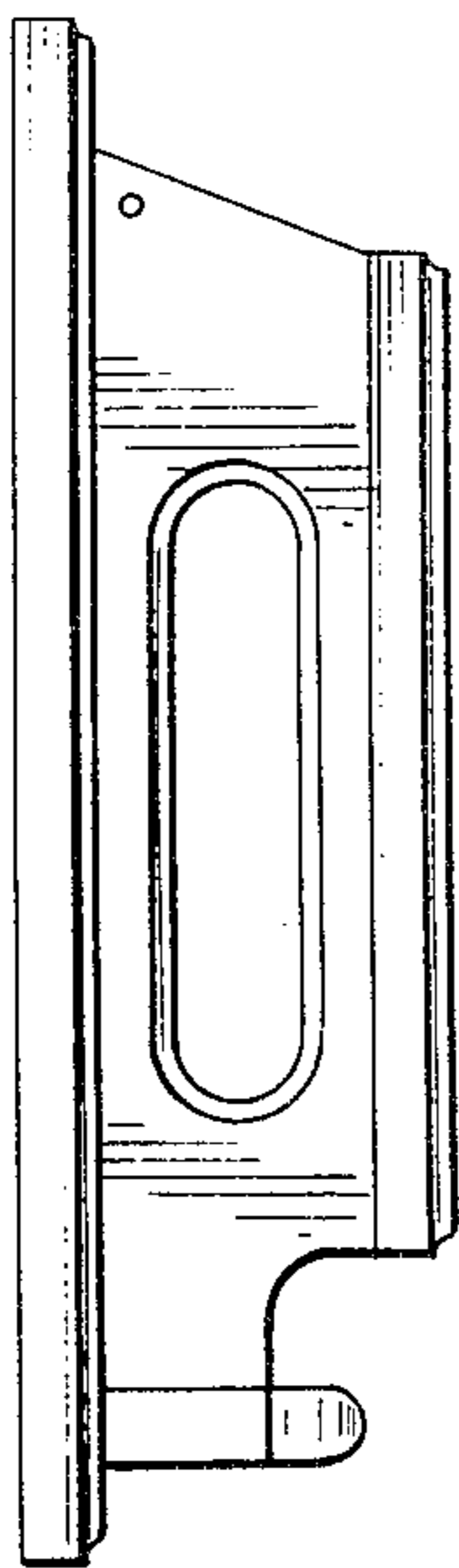
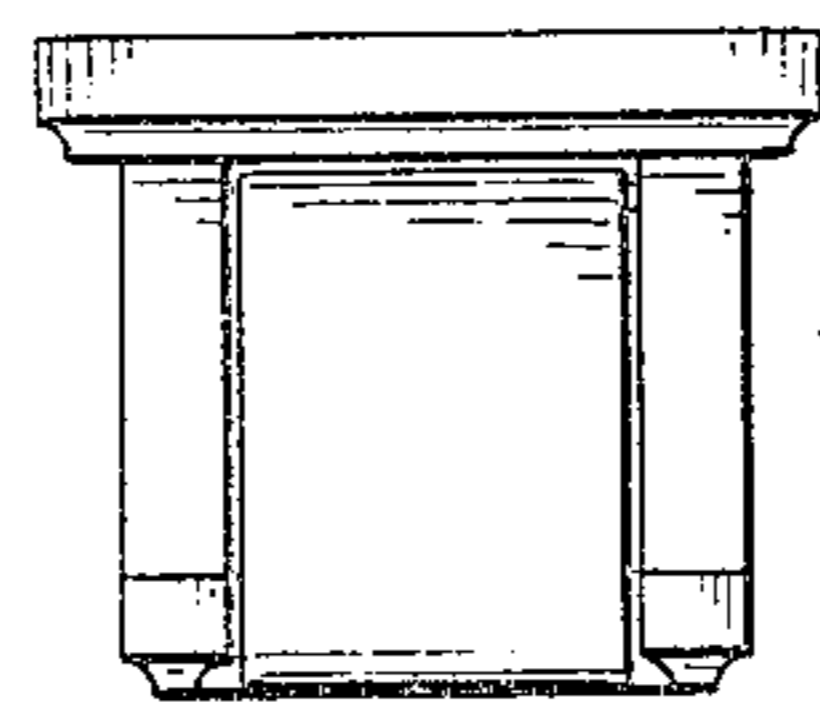


FIG. 3

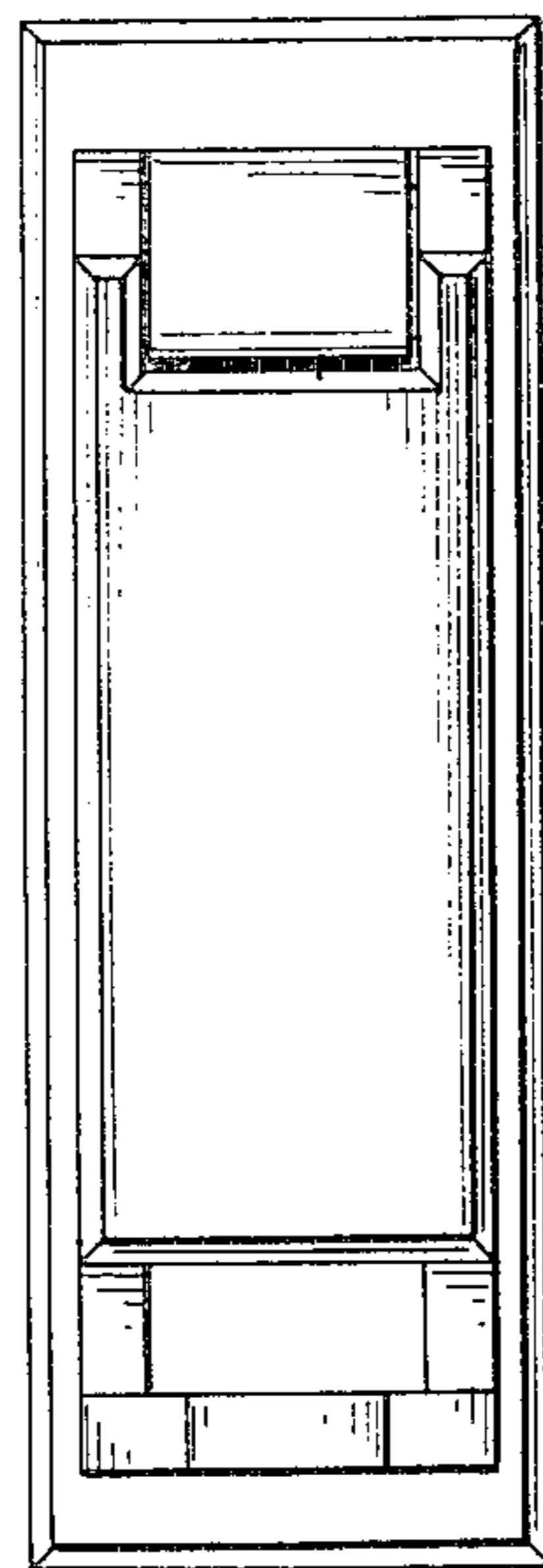


FIG. 2

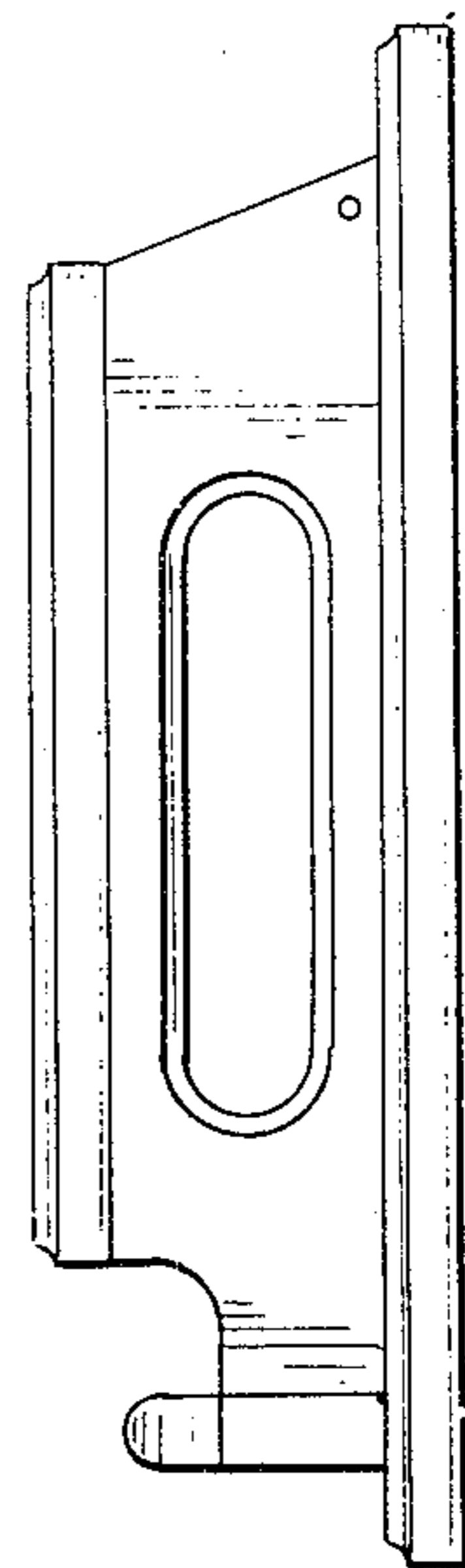


FIG. 4

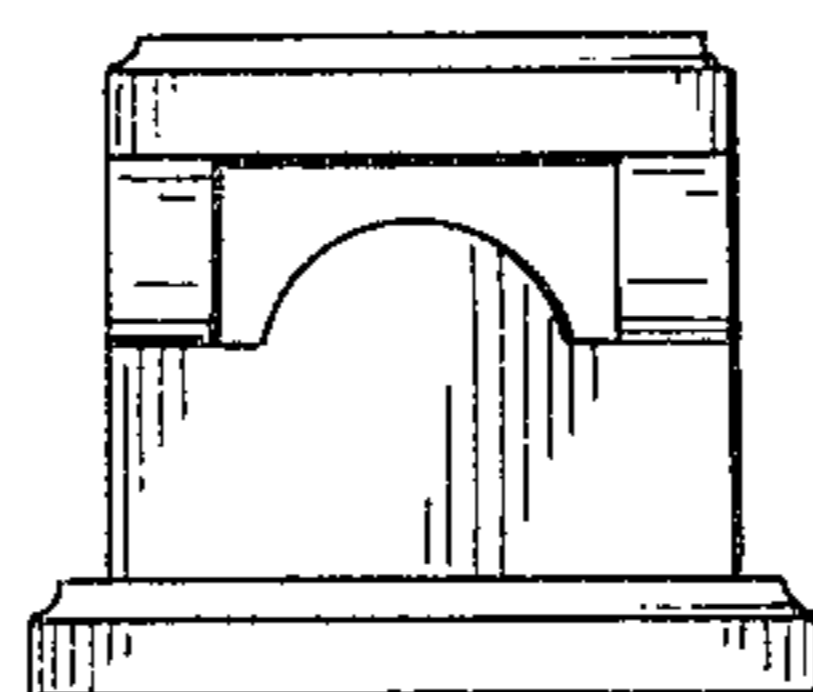


FIG. 6