

[54] BATHTUB TABLE

[76] Inventor: Calvin Burkes, 3923 Jackson #21, Memphis, Tenn. 38128

[**] Term: 14 Years

[21] Appl. No.: 613,837

[22] Filed: May 24, 1984

[52] U.S. Cl. D6/525; D6/406

[58] Field of Search D6/406, 524, 525; 108/25, 42, 43; 4/654, 656; 248/441.1, 444, 447.1

[56] References Cited

U.S. PATENT DOCUMENTS

- D. 218,980 10/1970 Balkus D6/406
- D. 246,403 11/1977 Tempchin D6/525

- D. 250,439 12/1978 Holstein D6/525
- 3,239,850 3/1966 Kiss 248/447.1
- 4,053,954 10/1977 Chapman 4/559
- 4,472,843 9/1984 Chermak 4/559

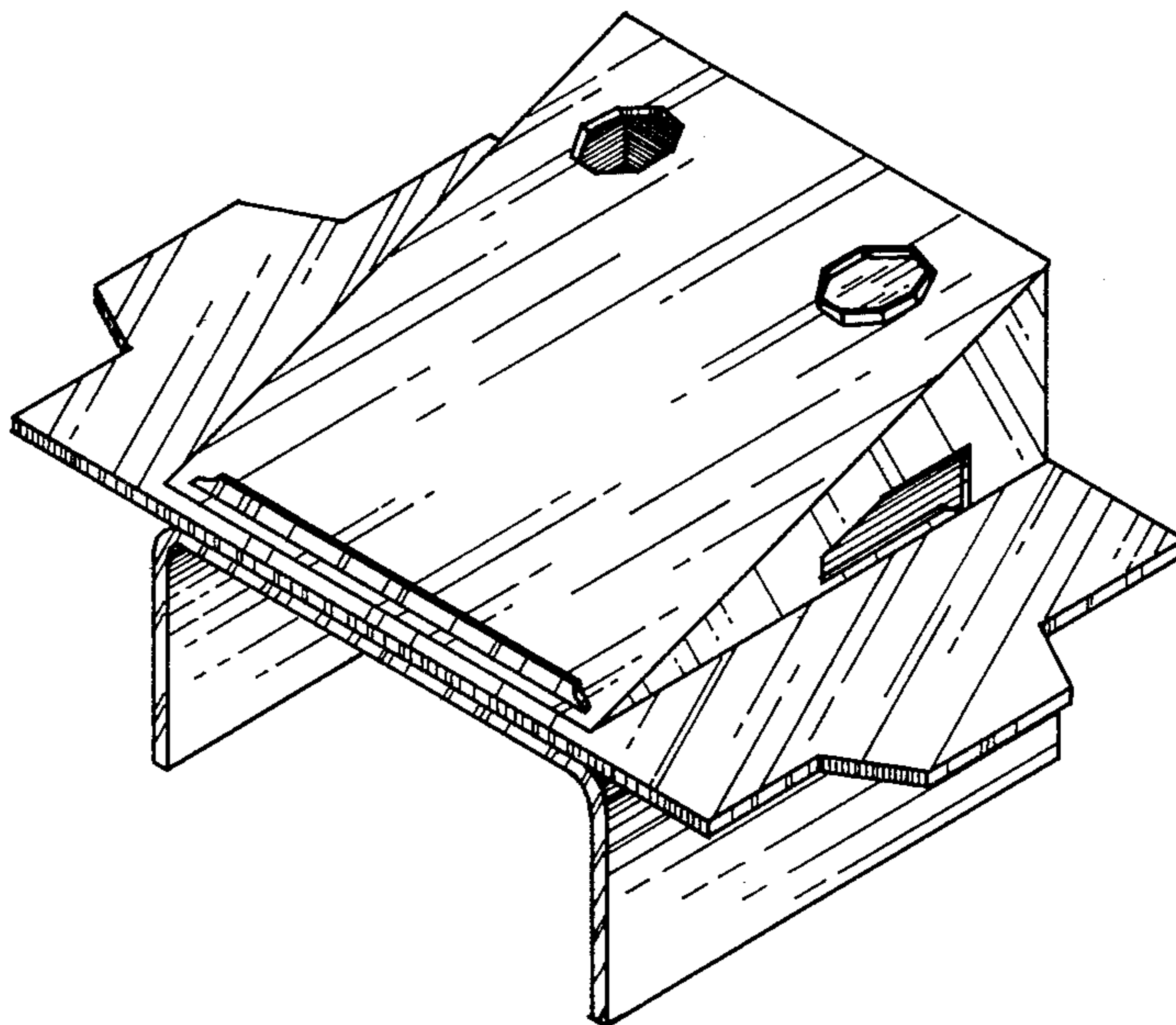
Primary Examiner—B. J. Bullock
Attorney, Agent, or Firm—Don E. Ferrell

[57] CLAIM

The ornamental design for a bathtub table, as shown and described.

DESCRIPTION

FIG. 1 is a top perspective view of a bathtub table showing my new design, the bottom being unornamented;
 FIG. 2 is a reduced rear elevational view thereof;
 FIG. 3 is a reduced right side elevational view thereof; the left side being a mirror image thereof.



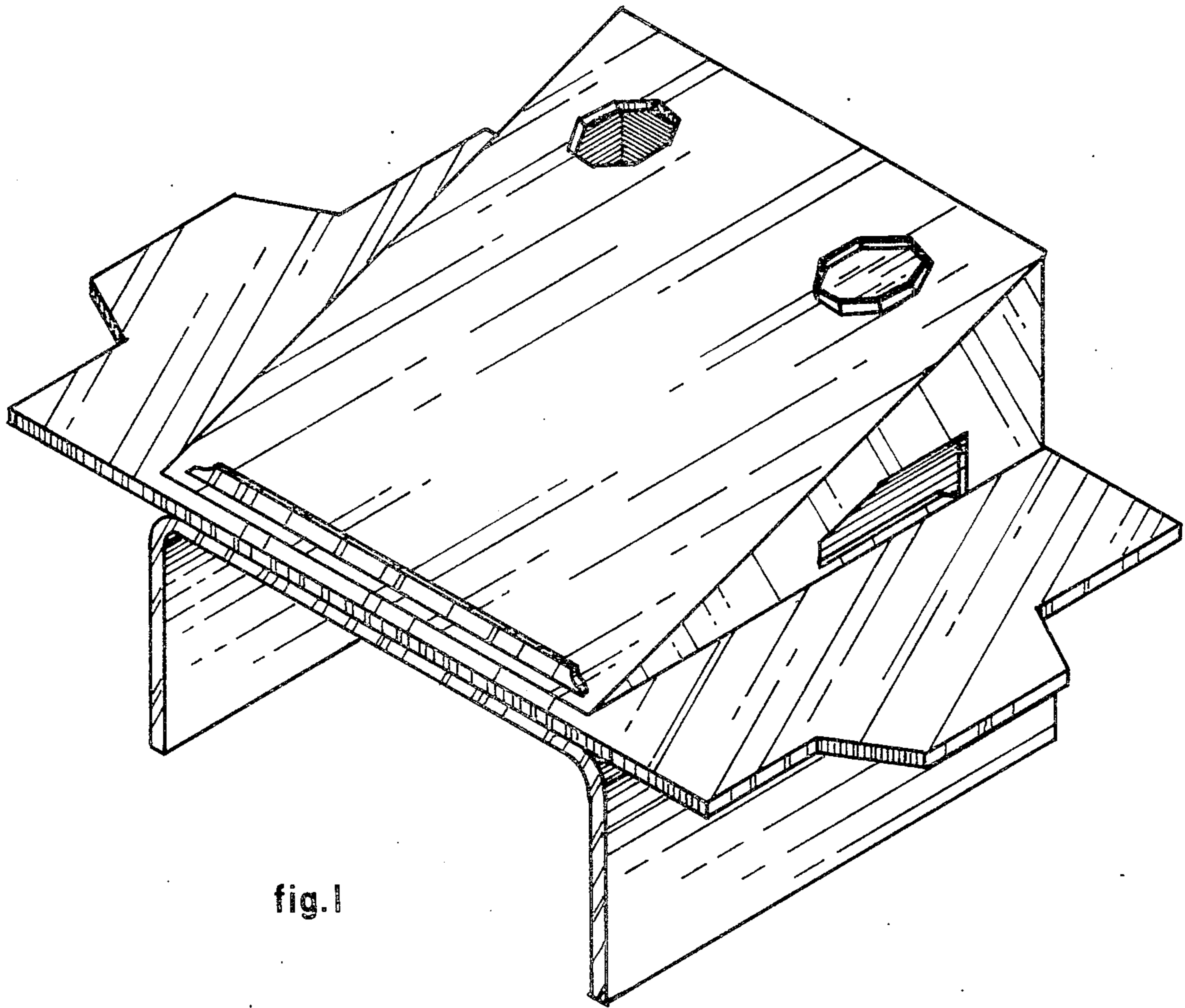


fig. 1

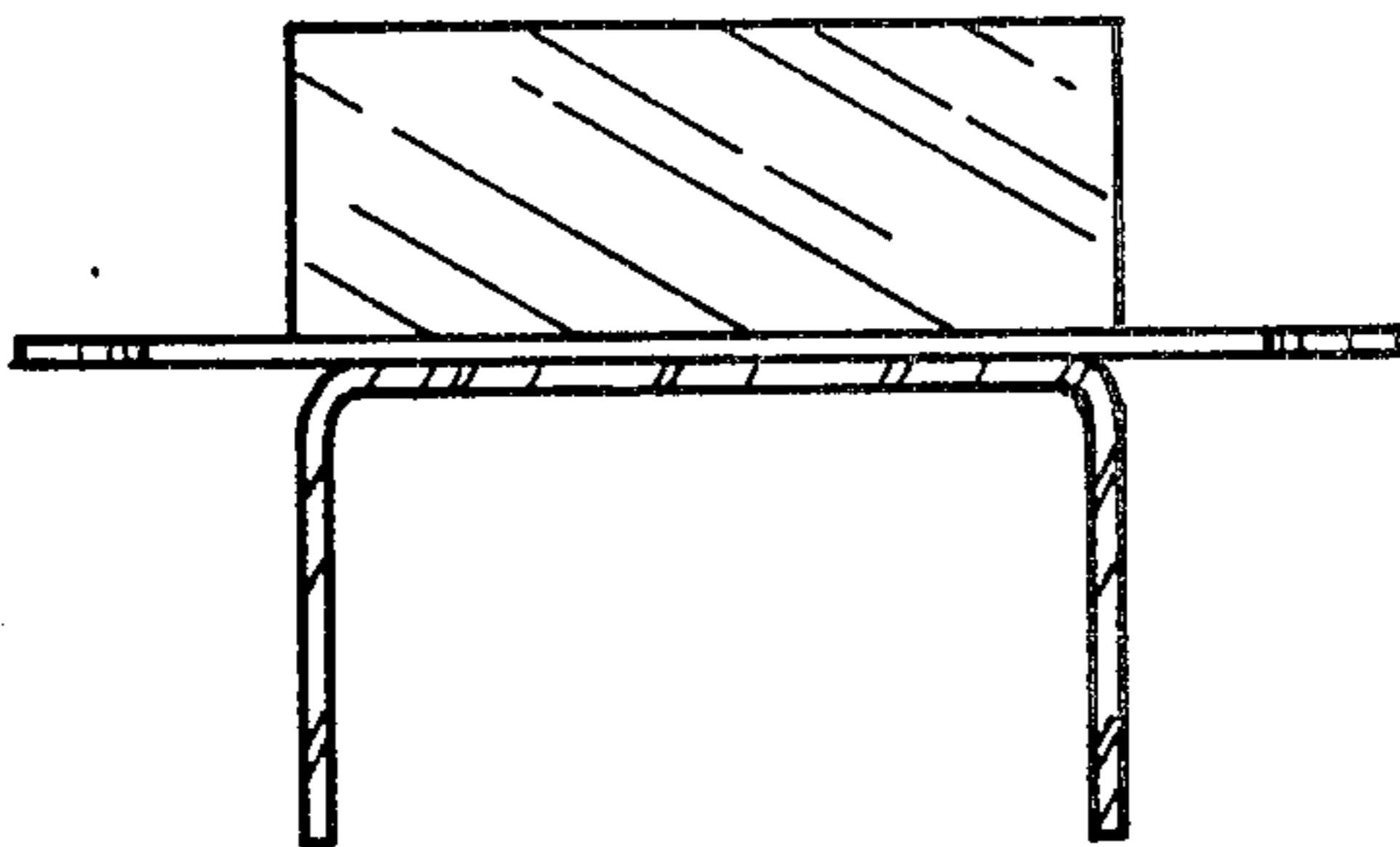


fig. 2

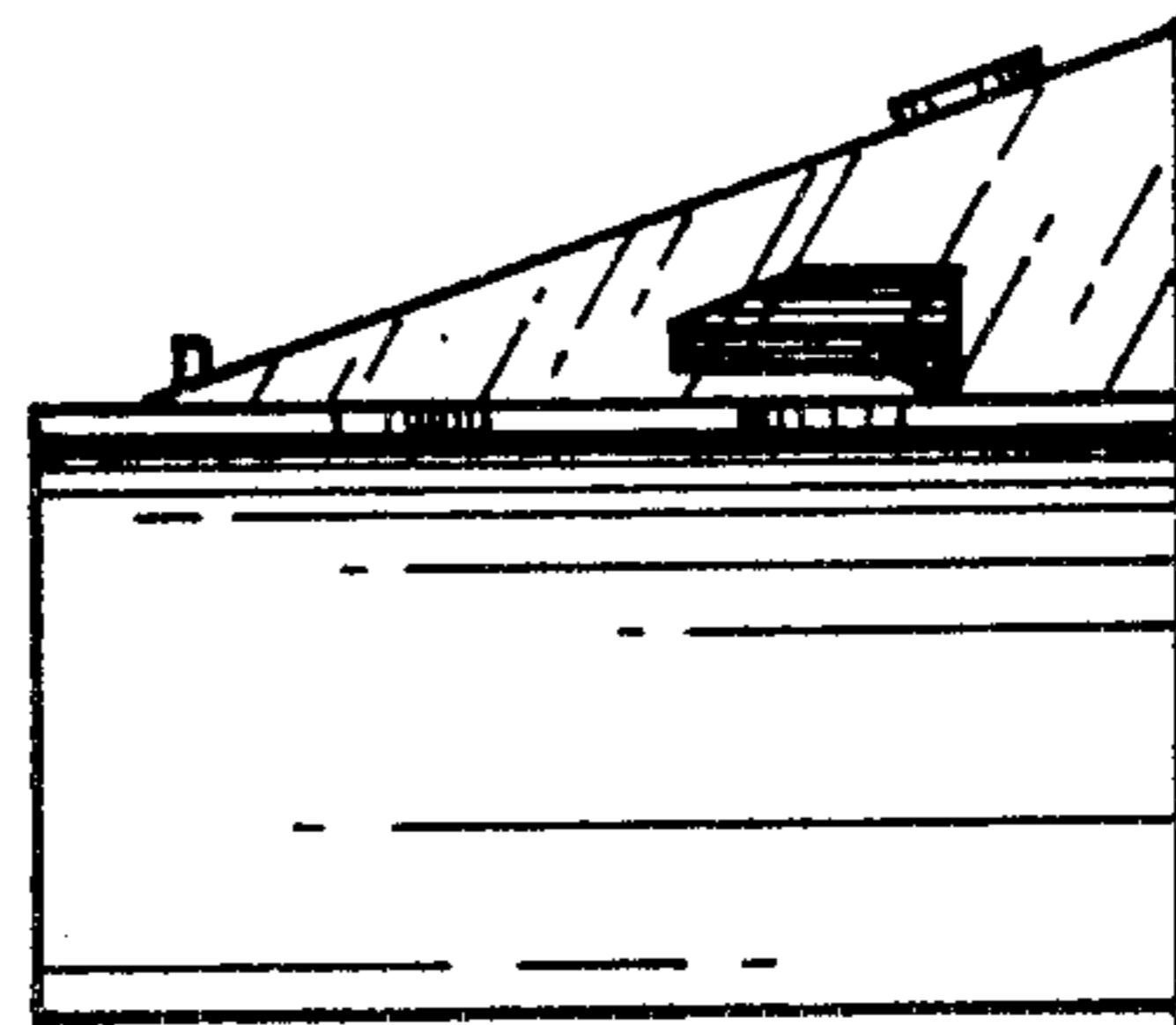


fig. 3