

[54] **TABLE**

[76] **Inventor: George Kouzoujian, 46-19 193rd St.,
Flushing, N.Y. 11358**

[**] **Term: 14 Years**

[21] **Appl. No.: 557,843**

[22] **Filed: Dec. 5, 1983**

[52] **U.S. Cl. D6/489; D6/455;
D6/477**

[58] **Field of Search D6/429, 449, 461, 487,
D6/489, 455, 477**

[56] **References Cited**

U.S. PATENT DOCUMENTS

- D. 167,195 7/1952 Buell D6/487
- D. 205,521 8/1966 Sanchez D6/429

- D. 215,735 10/1969 Melvin D6/489 X
- D. 234,068 1/1975 Mudde D6/489 X
- D. 237,336 10/1975 Loscalzo D6/489 X
- D. 280,164 8/1985 Berry, Jr. D6/489

Primary Examiner—Bruce W. Dunkins
Attorney, Agent, or Firm—George W. MacDonald, Jr.

[57] **CLAIM**

The ornamental design for a table, as shown.

DESCRIPTION

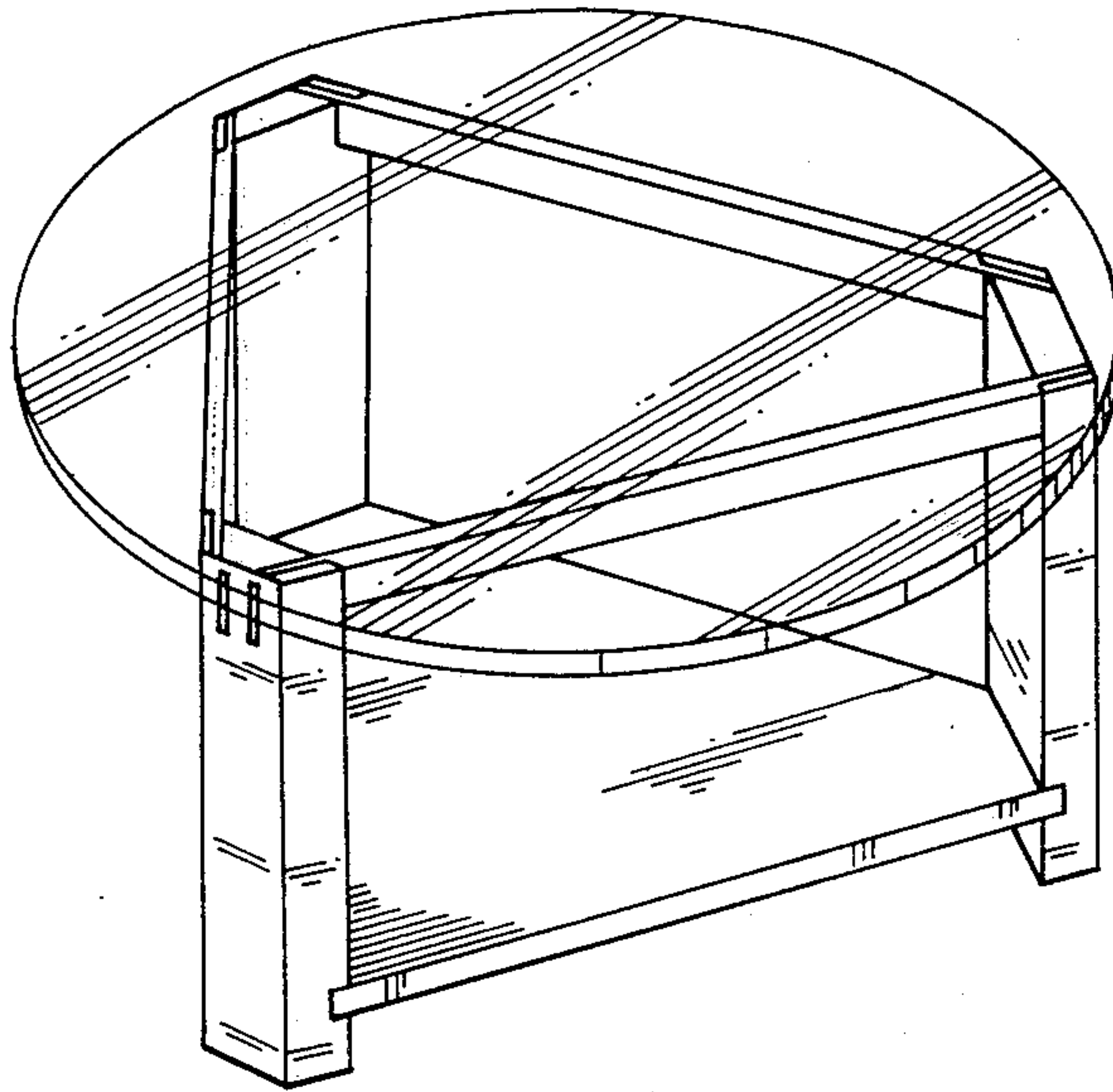
FIG. 1 is a top view of the table of the present invention.

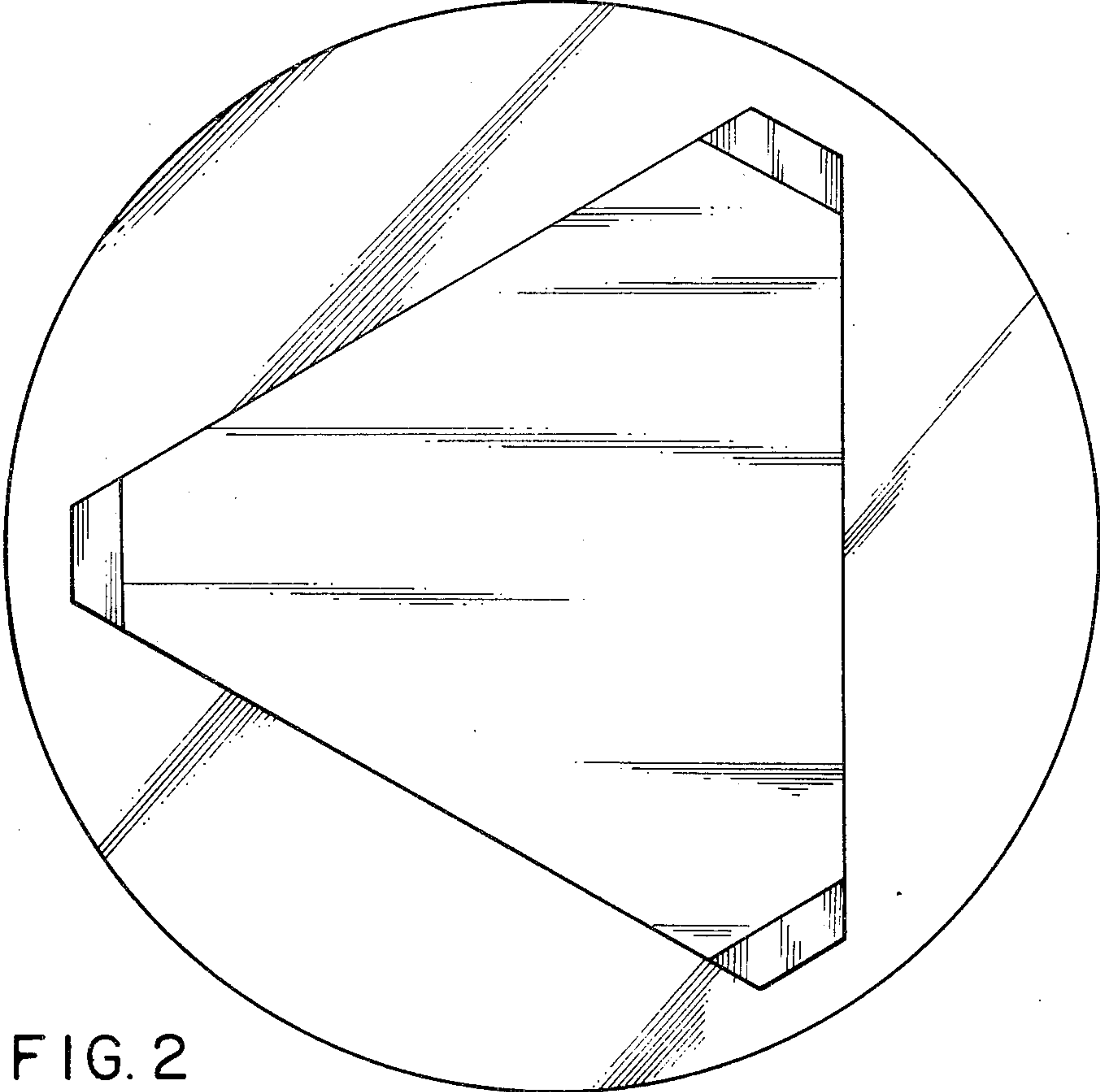
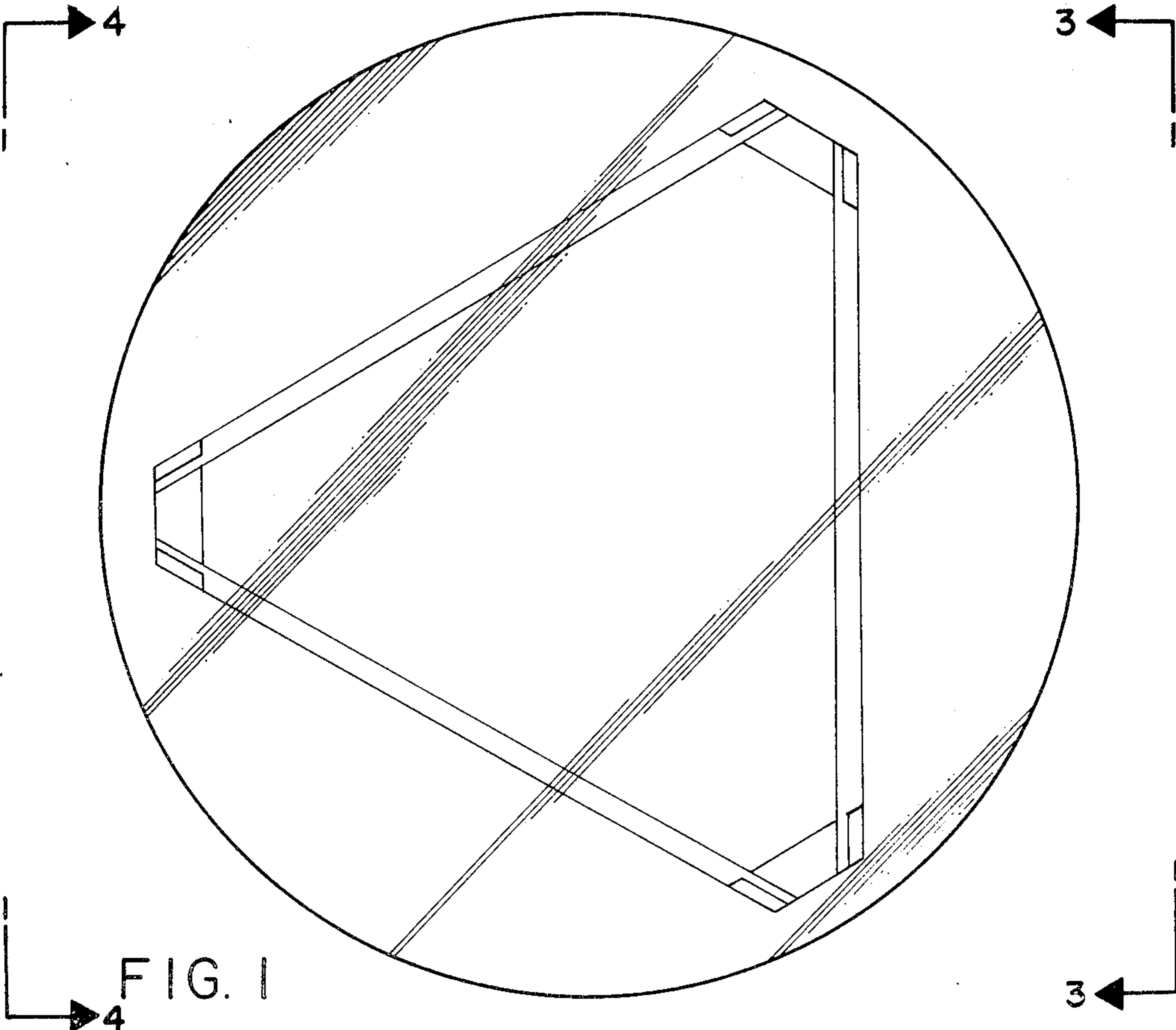
FIG. 2 is a bottom view of the table of the present invention.

FIG. 3 is a view taken along the line 3—3 of FIG. 1.

FIG. 4 is a view taken along the line 4—4 of FIG. 1.

FIG. 5 is a view of the table of the present invention taken in perspective from above.





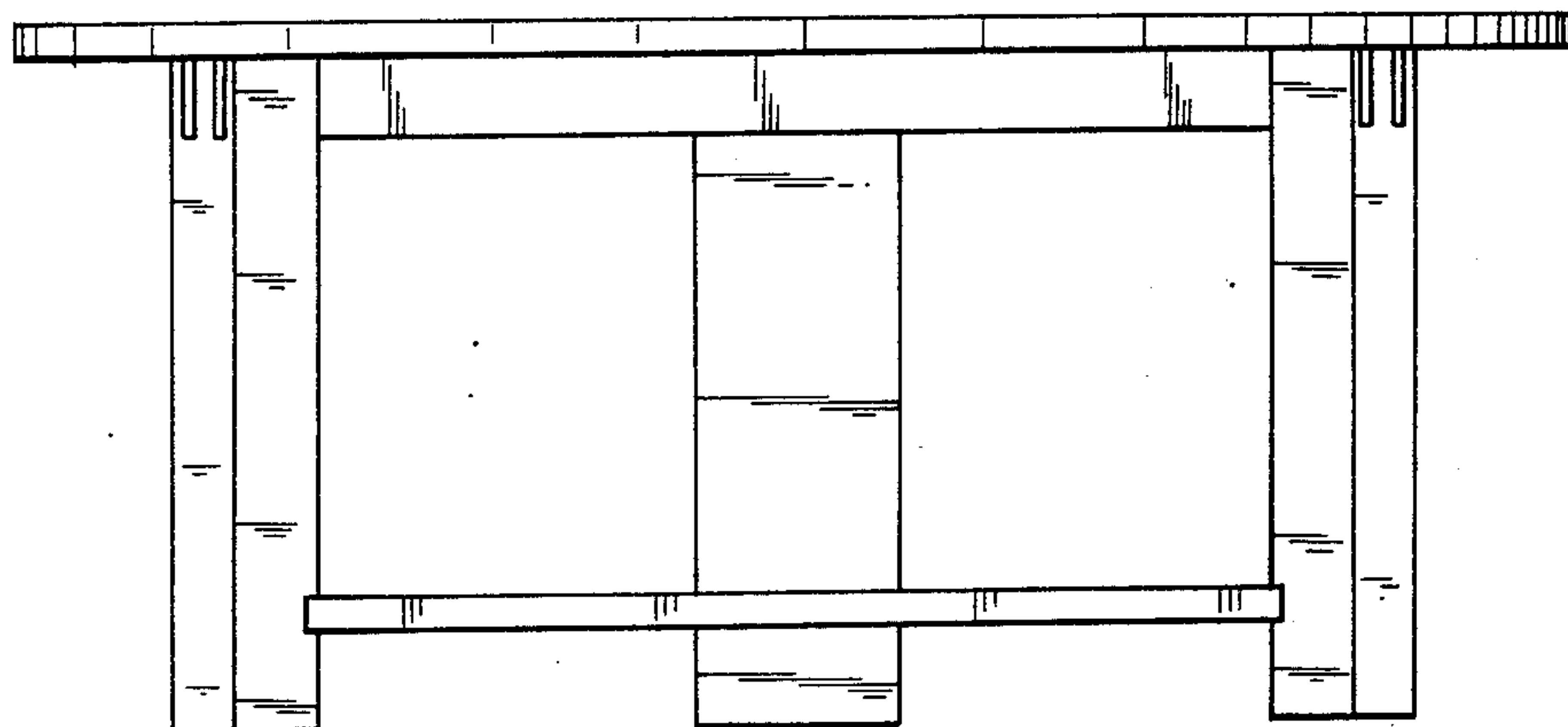


FIG. 3

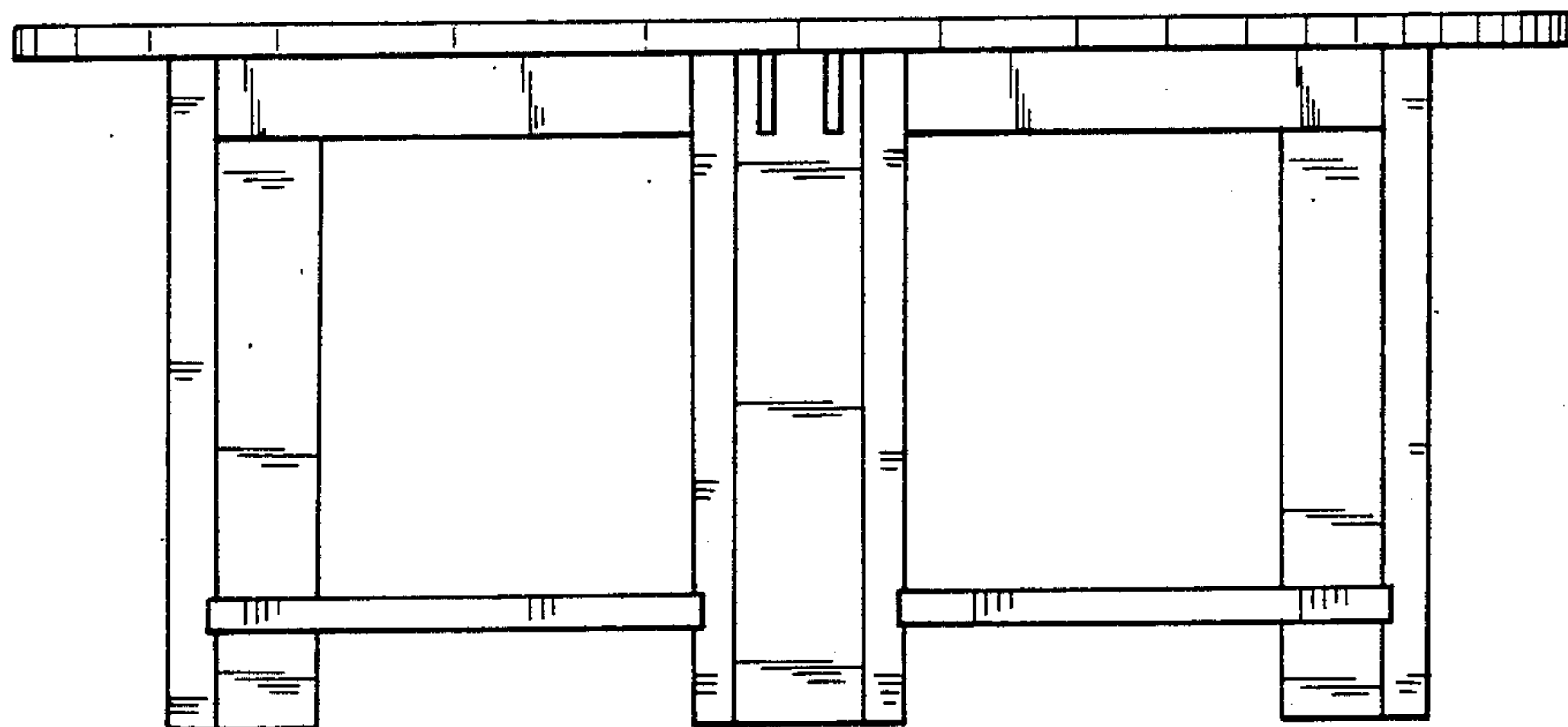


FIG. 4

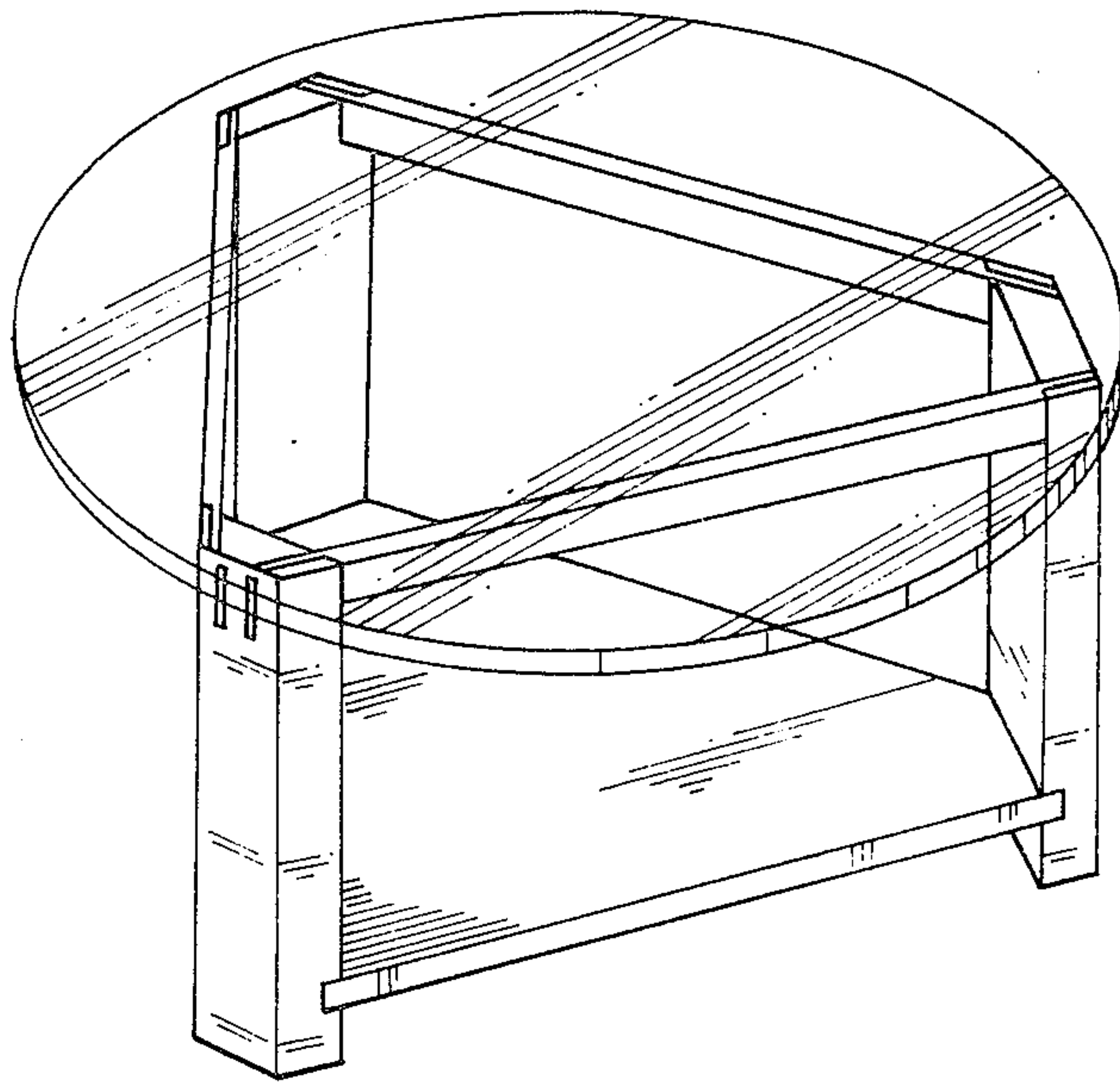


FIG. 5