

[54] BULK FOOD STORAGE DISPLAY AND DISPENSING UNIT

[76] Inventor: George H. Luckey, 5767 Belfast-Owensville Rd., Batavia, Ohio 45103

[**] Term: 14 Years

[21] Appl. No.: 679,354

[22] Filed: Dec. 7, 1984

[52] U.S. Cl. D6/471

[58] Field of Search D6/470, 449, 472, 471; D7/70, 76, 81, 79; 222/404, 405, 356, 357, 358

[56] References Cited

U.S. PATENT DOCUMENTS

D. 164,741	10/1951	Stern et al.	D7/76
D. 255,302	6/1980	Newsom, Jr. et al.	D6/471
D. 276,020	10/1984	Battista	D7/79
D. 283,861	5/1986	Cantolino	D6/471
1,857,712	5/1932	De Martini, Jr.	222/357
2,069,371	2/1937	Klein	222/356

OTHER PUBLICATIONS

Better Homes & Gardens Jul. 1972, p. 69; See Through Canister on page.
Gifts and Decorative Accessories Nov. 1981, p. 60; bottom right Dispenser.

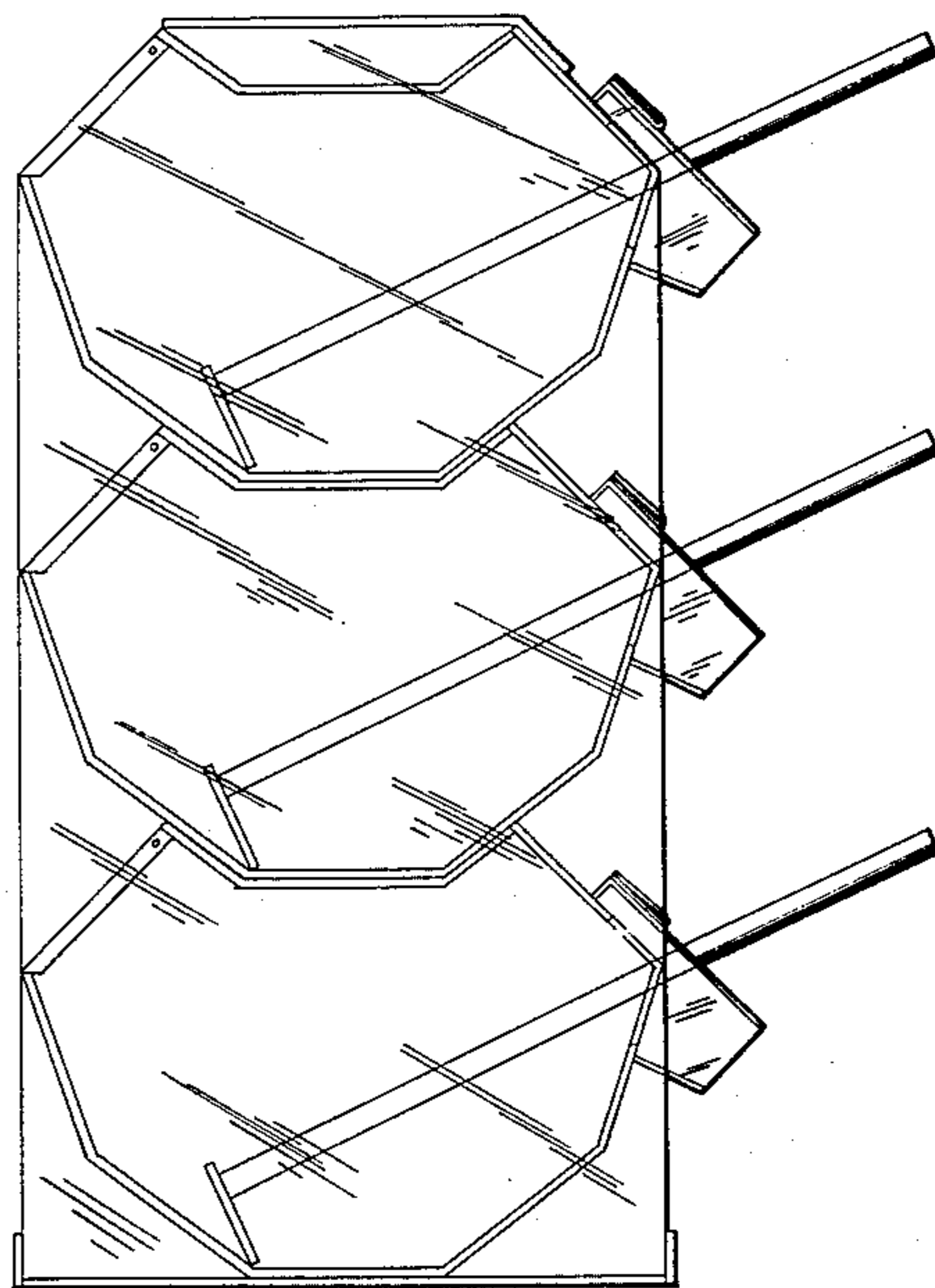
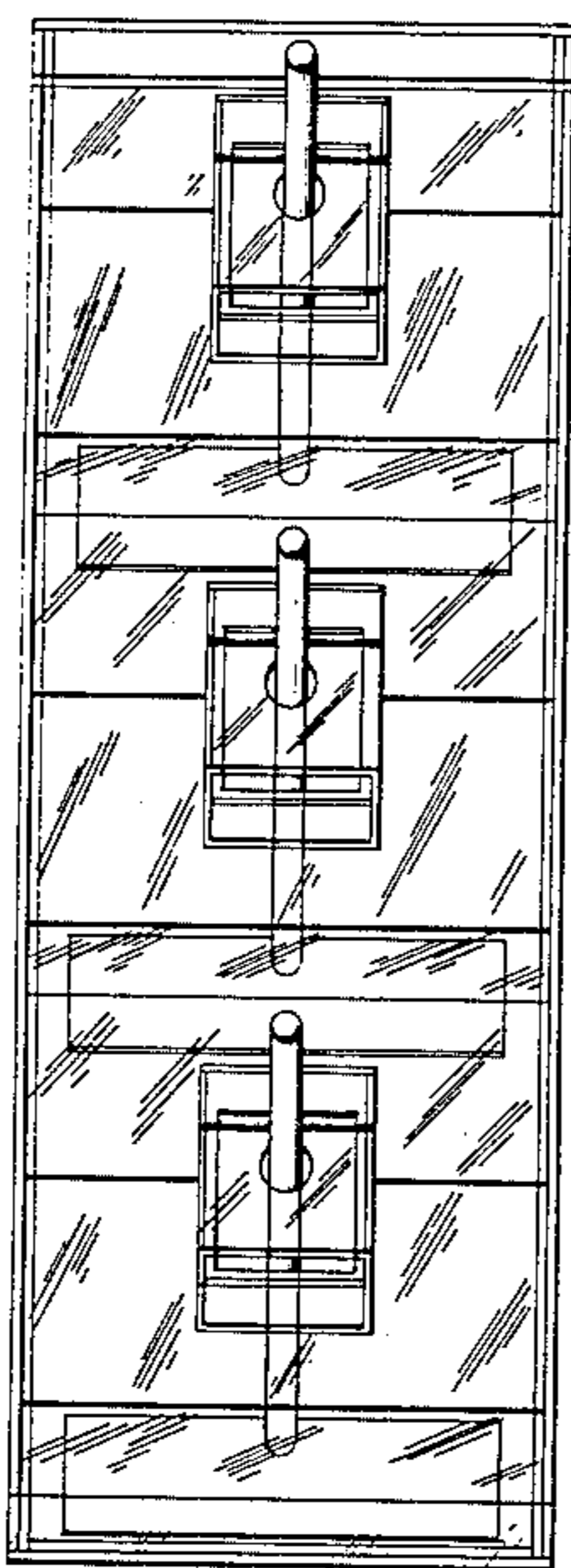
Primary Examiner—Carmen H. Vales
Attorney, Agent, or Firm—Spencer & Frank

[57] CLAIM

The ornamental design for a bulk food storage display and dispensing unit, as shown and described.

DESCRIPTION

FIG. 1 is a front elevational view of a bulk food storage display and dispensing unit showing my new design; FIG. 2 is a rear elevational view thereof; FIG. 3 is a side elevational view thereof; FIG. 4 is a top plan view thereof; FIG. 5 is a bottom plan view thereof; and FIG. 6 is a perspective view of one of the modules of the unit shown separately for clarity of illustration.



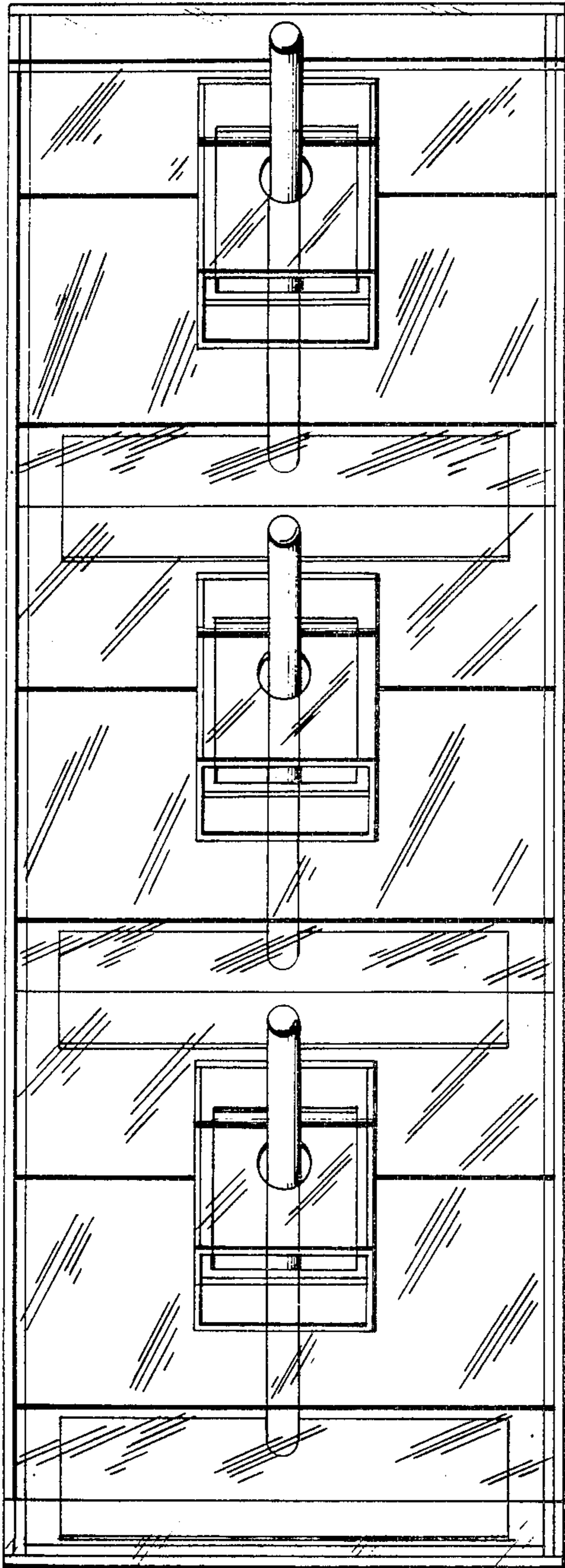


FIG. 1

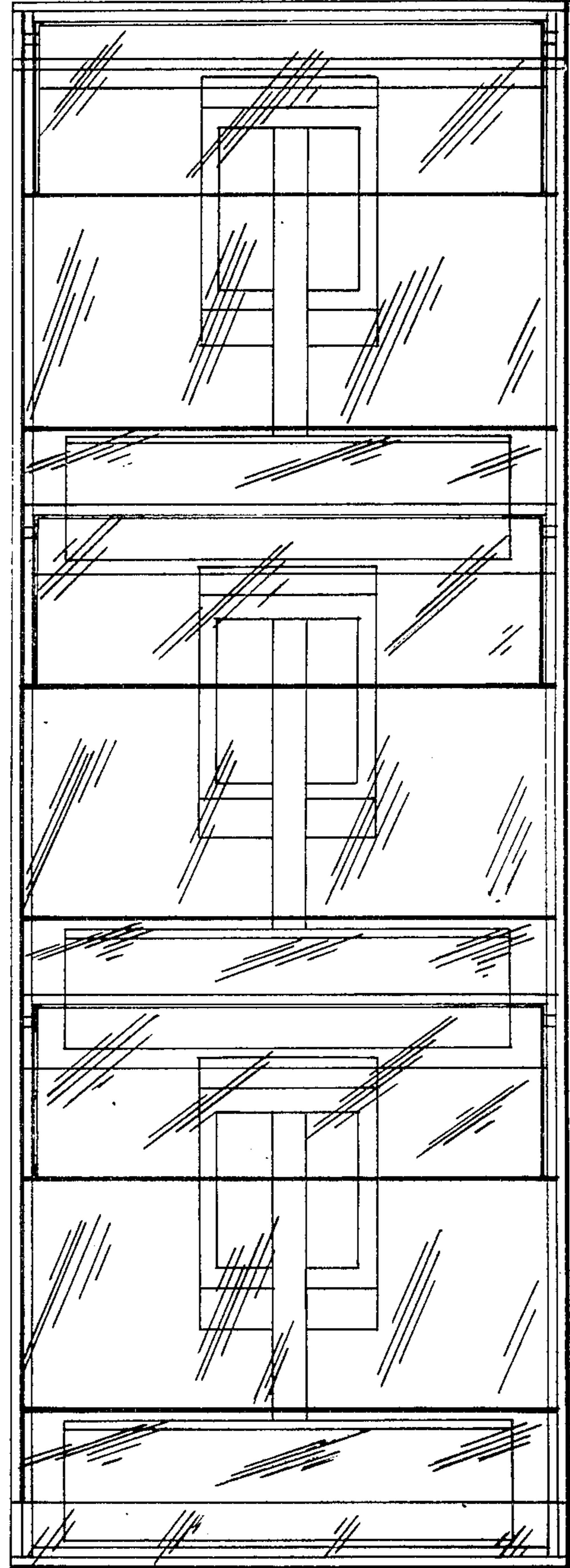


FIG. 2

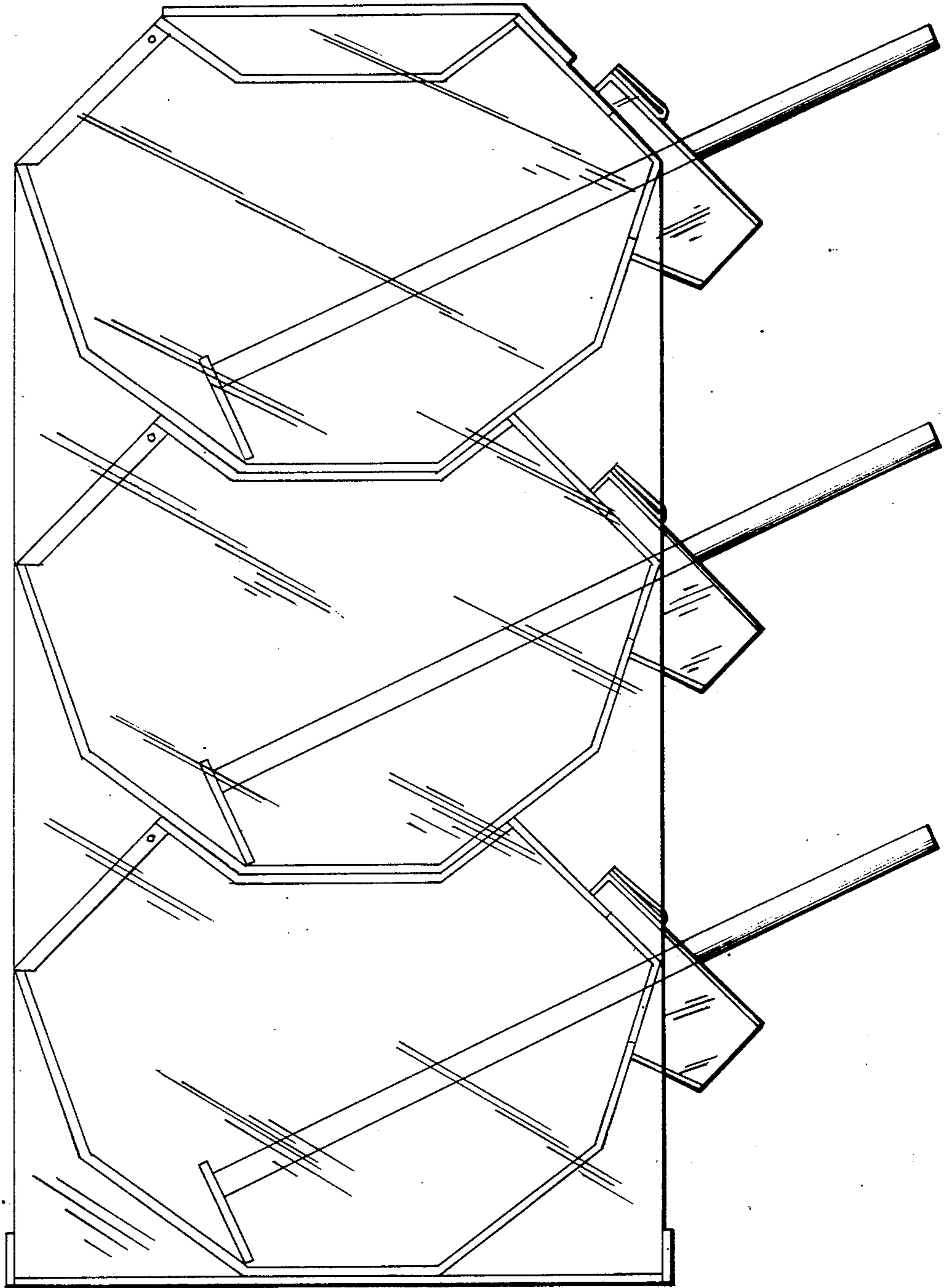


FIG. 3

FIG. 5

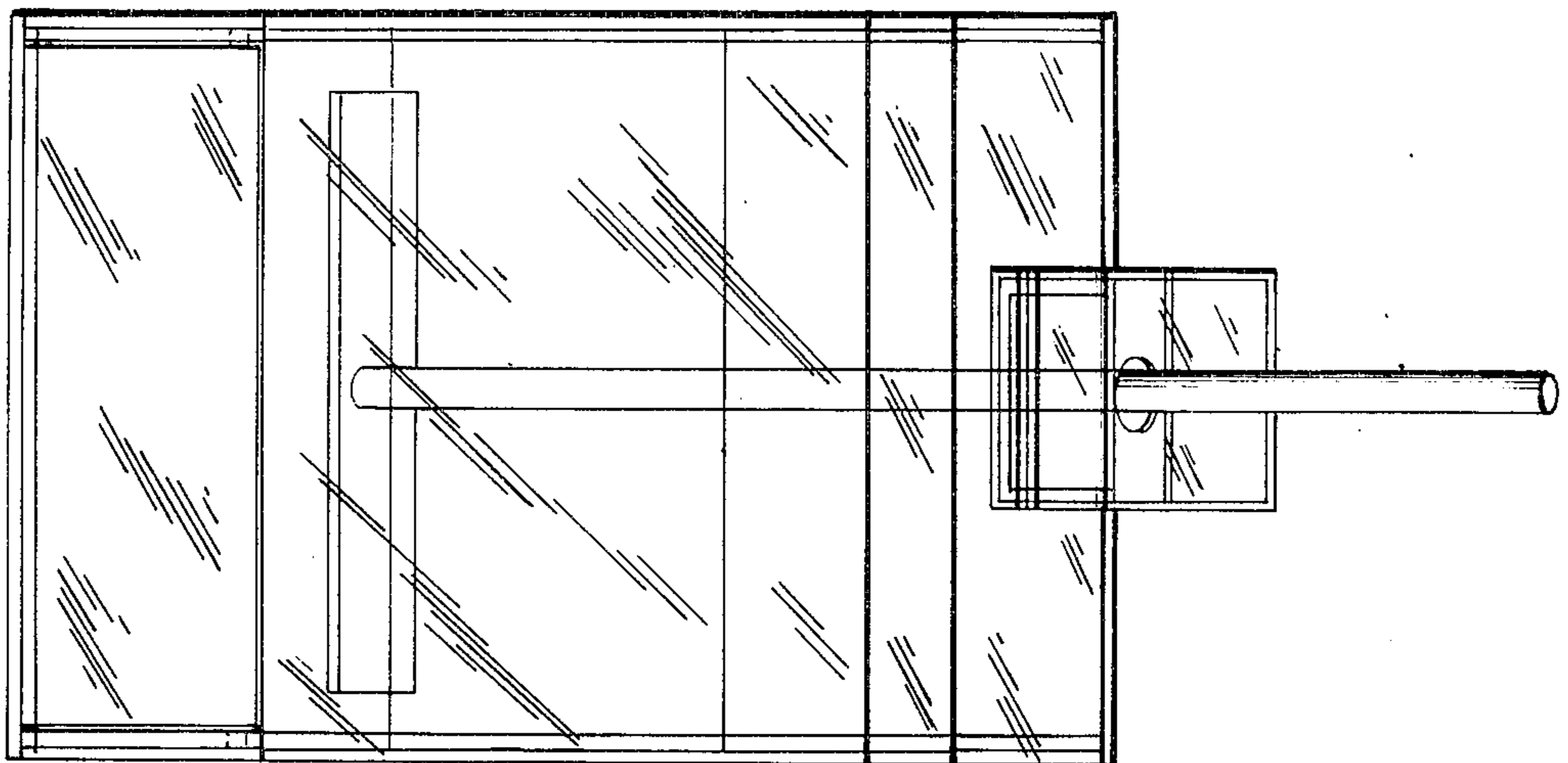
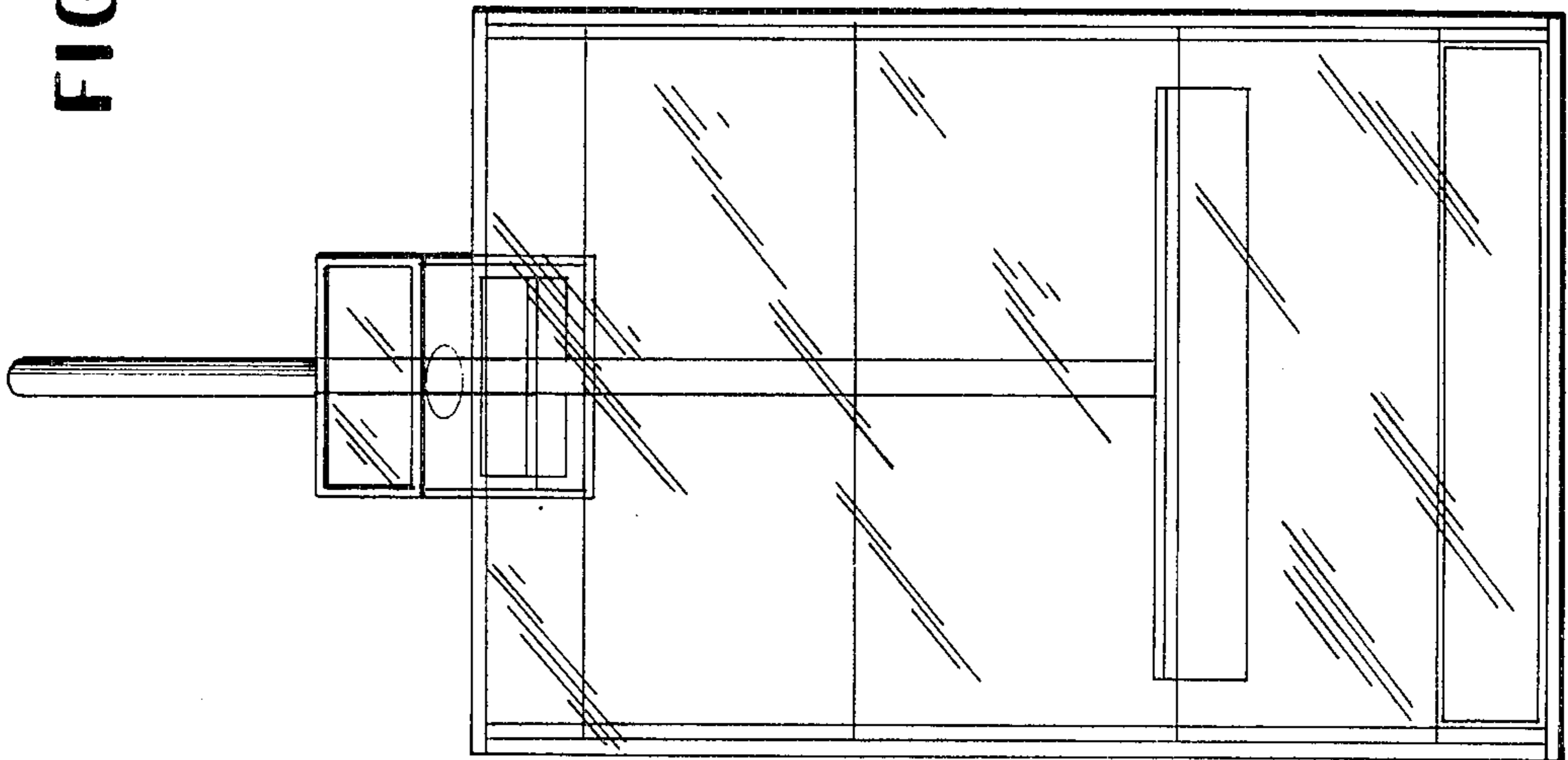


FIG. 4

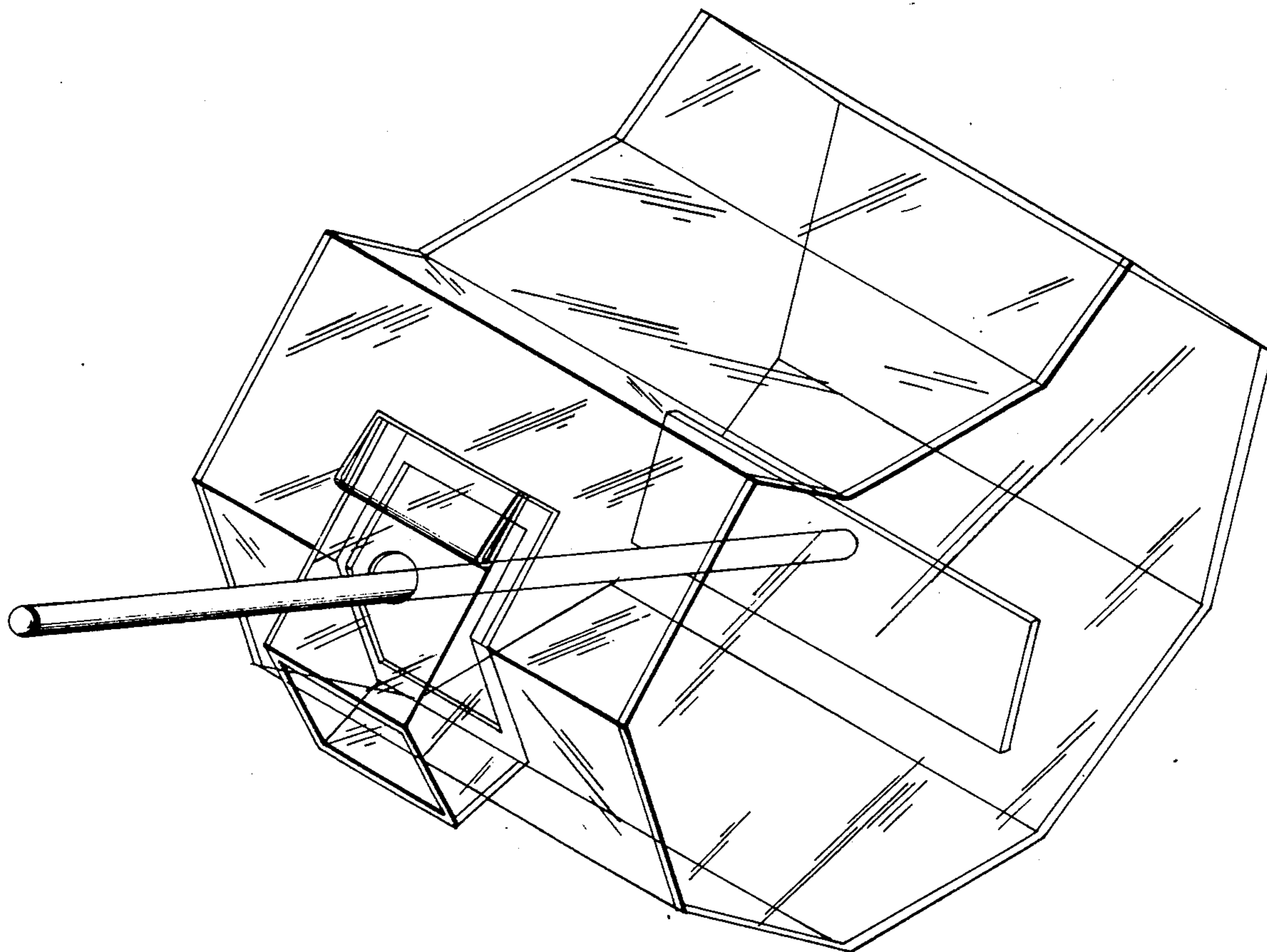


FIG. 6