

[54] **BOOM ASSEMBLY**

[75] **Inventors: Darrell A. Schoenig; Jon L. Lindskog,**  
both of Fort Collins, Colo.

[73] **Assignee: D & D Enterprises, Inc.,** Fort Collins,  
Colo.

[\*\*] **Term: 14 Years**

[21] **Appl. No.: 662,693**

[22] **Filed: Oct. 19, 1984**

[52] **U.S. Cl. .... D6/462; D6/419;**  
D14/13

[58] **Field of Search ..... D14/1, 13, 99; D6/419,**  
D6/458, 462; 248/121, 122, 123.1, 124, 125,  
127; 211/203, 204

[56] **References Cited**

**U.S. PATENT DOCUMENTS**

- D. 286,478 11/1986 Oakes, Jr. .... D6/462 X
- 1,887,637 11/1932 Hansen ..... 248/123.1 X
- 1,942,925 1/1934 Jenkins ..... 248/123.1

- 2,845,244 7/1958 Prokop ..... 211/203 X
- 4,544,120 10/1985 Lowell et al. .... 248/122

**OTHER PUBLICATIONS**

Allied Electronics, 1983-84 Engineering Manual, p.  
299, top of page, IEMS-55-70X and PB-1.

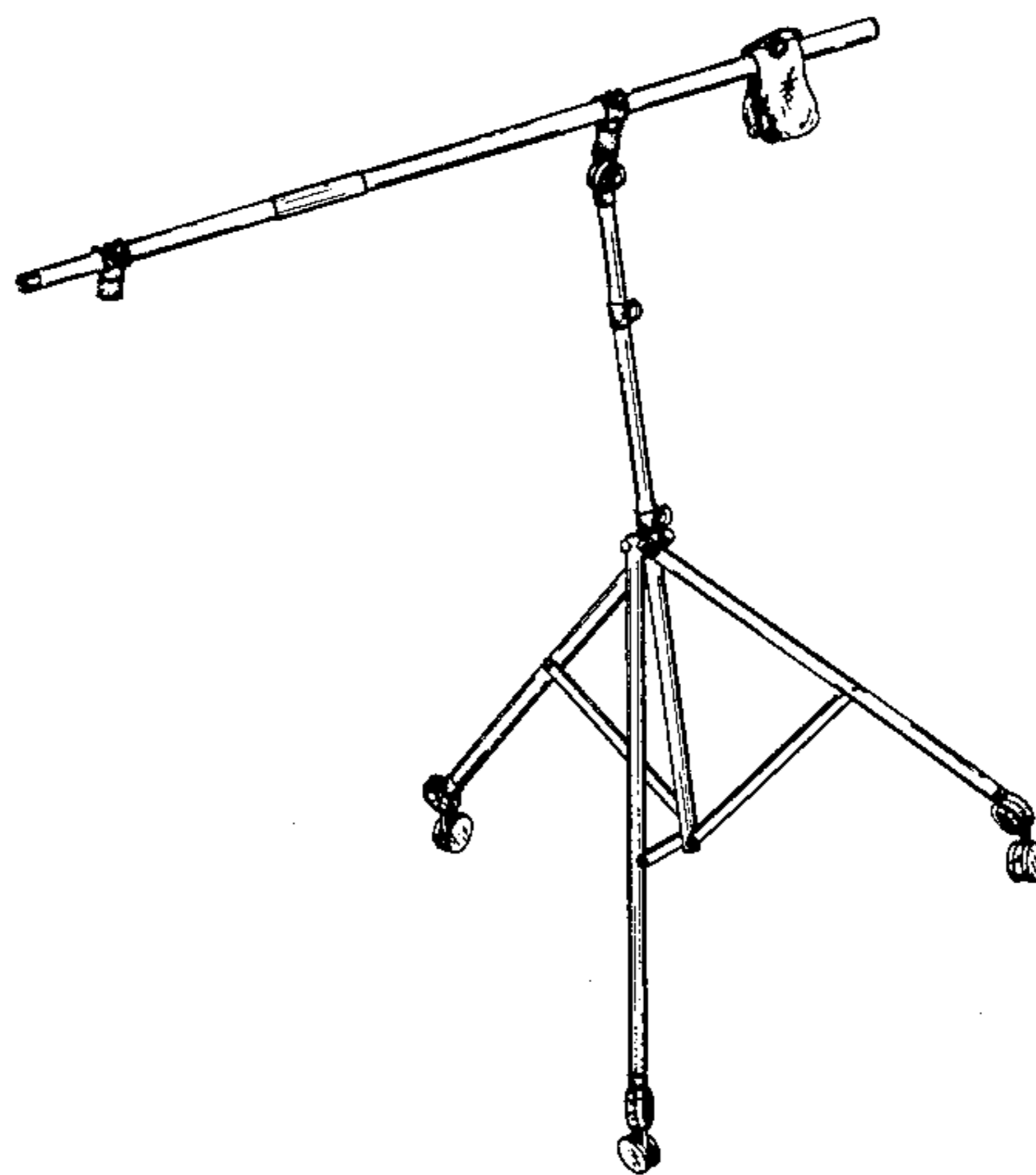
*Primary Examiner*—Bernard Ansher  
*Assistant Examiner*—Theodore M. Shooman  
*Attorney, Agent, or Firm*—Hugh H. Drake

[57] **CLAIM**

The ornamental design of a boom assembly, as shown.

**DESCRIPTION**

FIG. 1 is an isometric view of a boom assembly showing our new design;  
 FIG. 2 is a front elevational view thereof;  
 FIG. 3 is a top plan view thereof;  
 FIG. 4 is a rear elevational view thereof;  
 FIG. 5 is a bottom plan view thereof;  
 FIG. 6 is right side elevational view thereof; and  
 FIG. 7 is left side elevational view thereof.



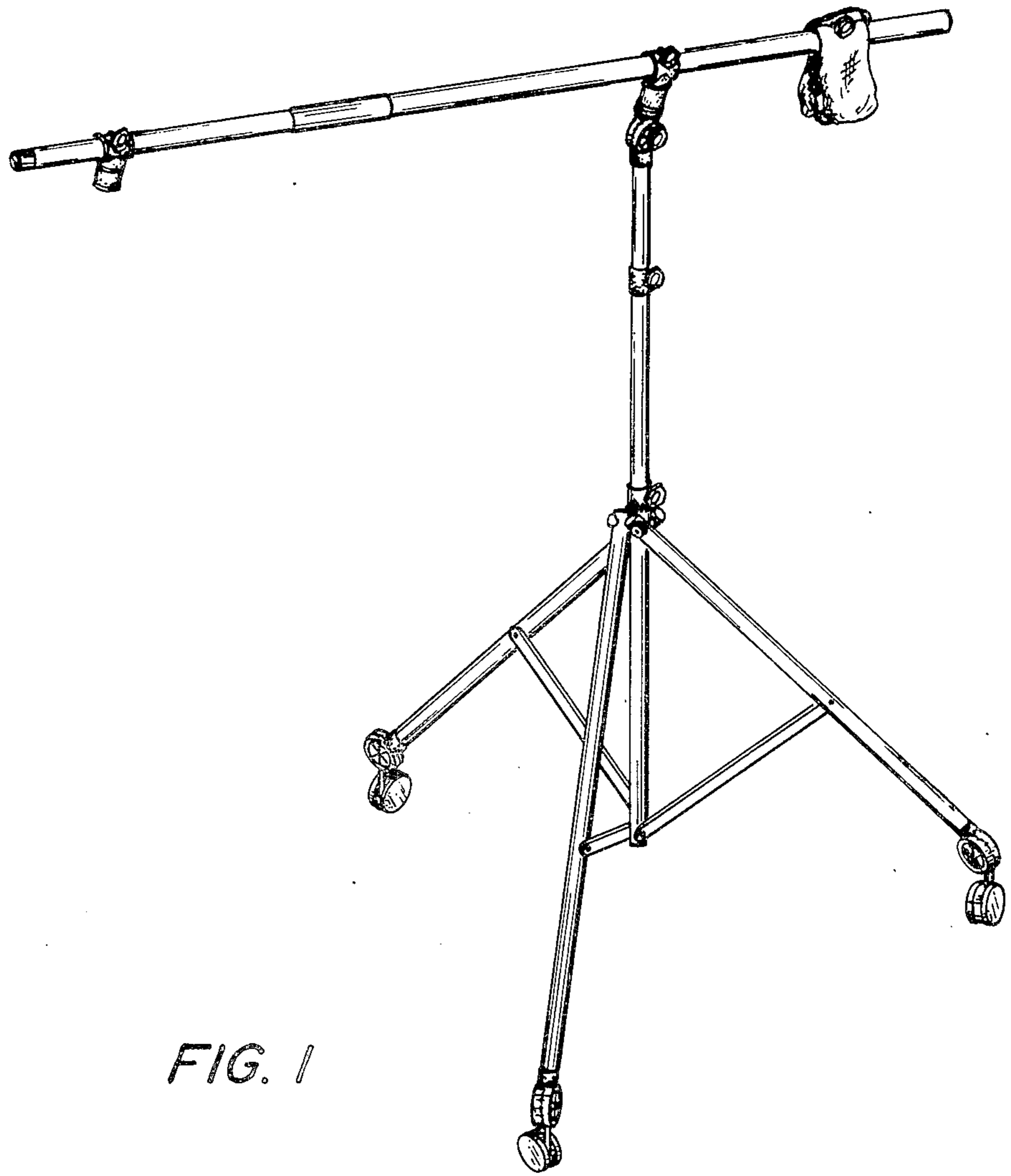


FIG. 1

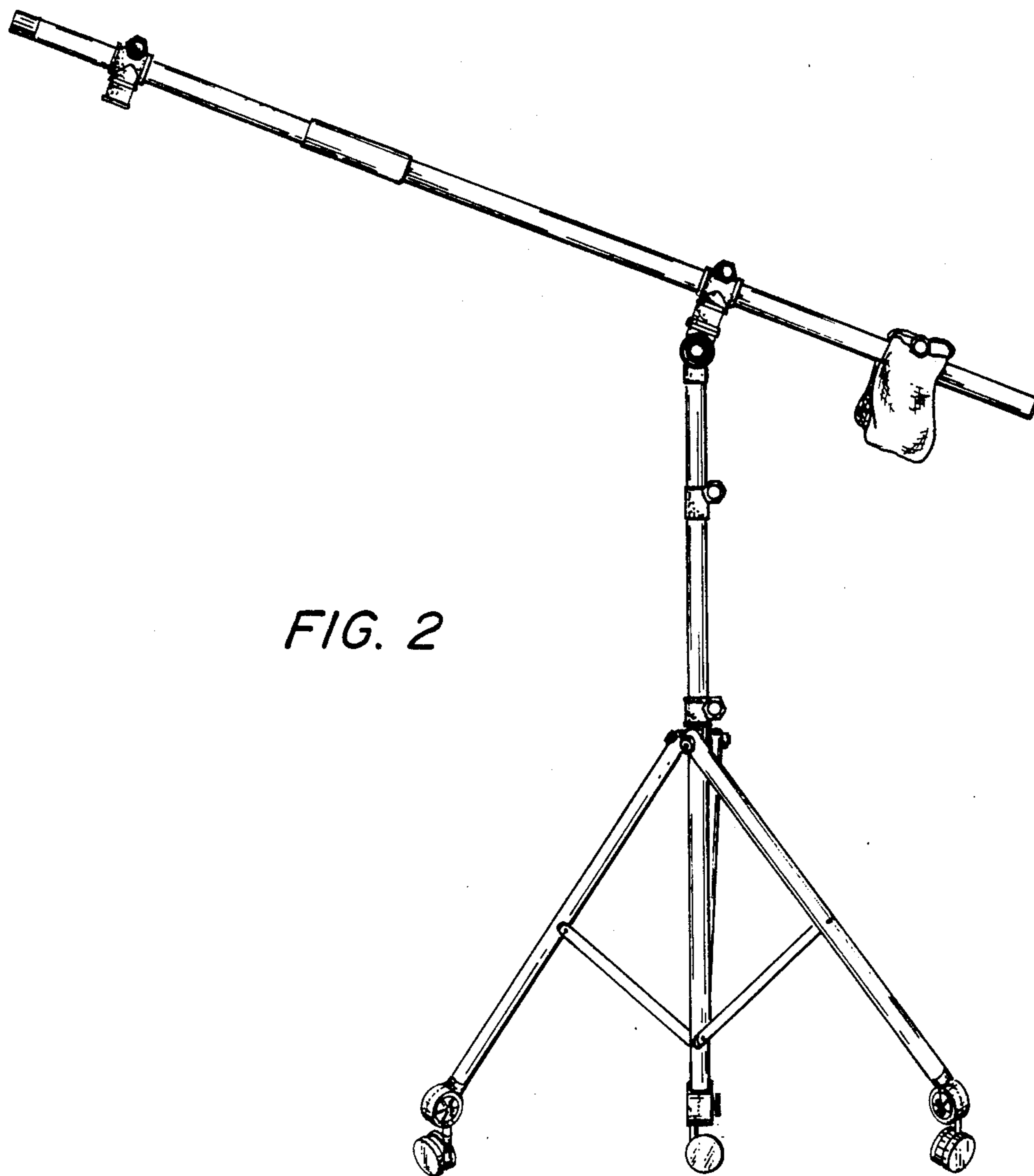


FIG. 2

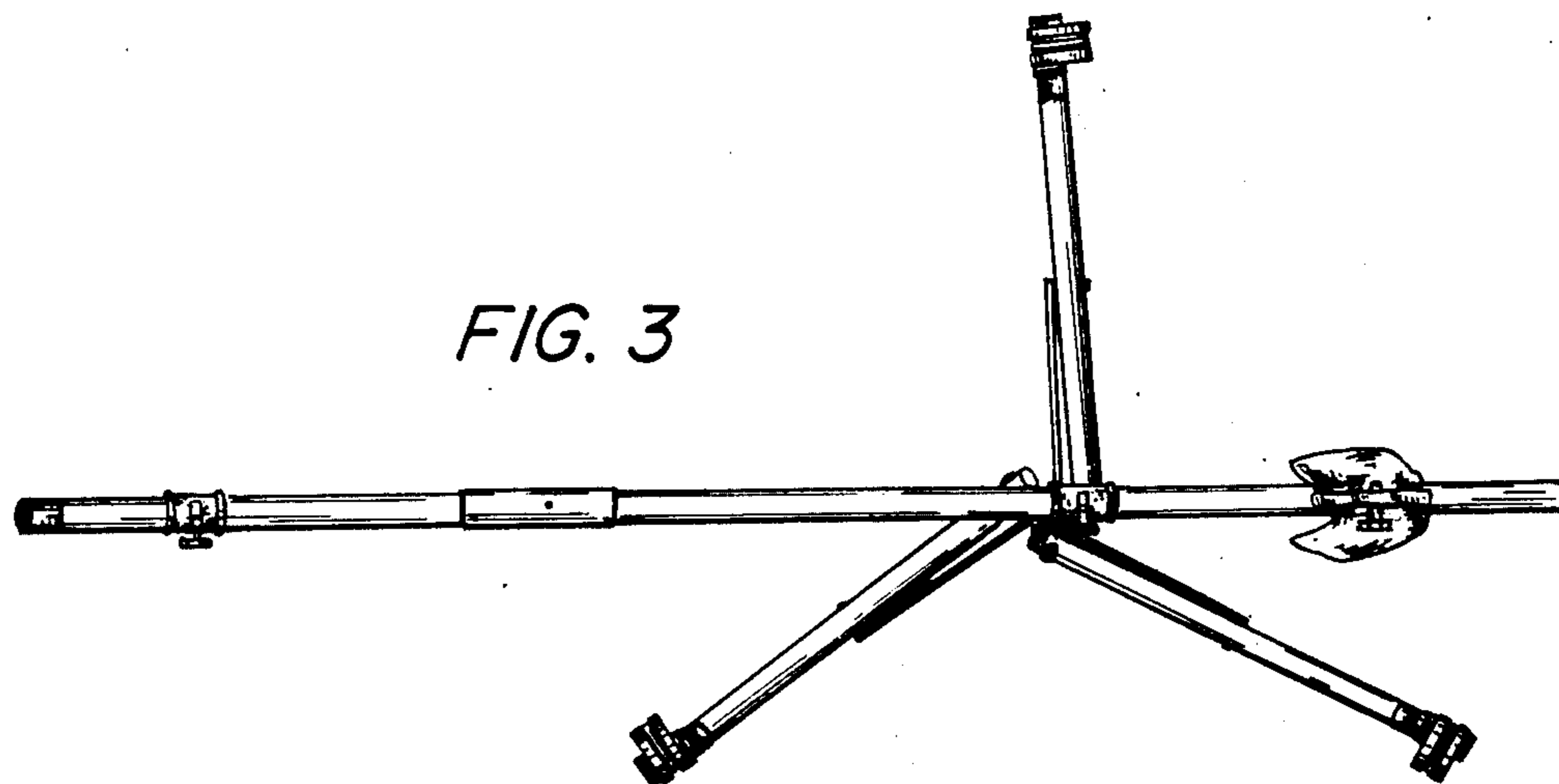


FIG. 3

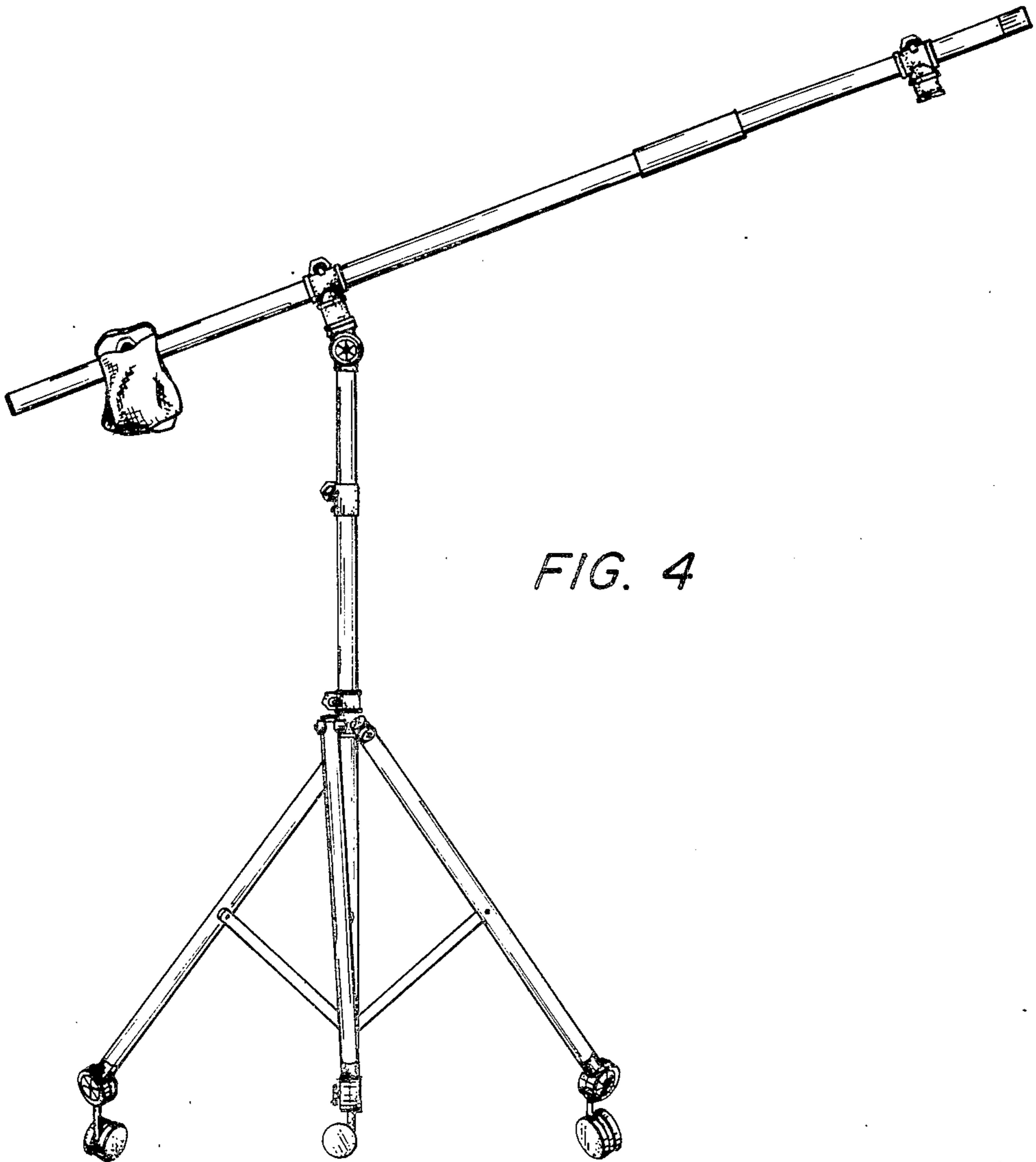


FIG. 4

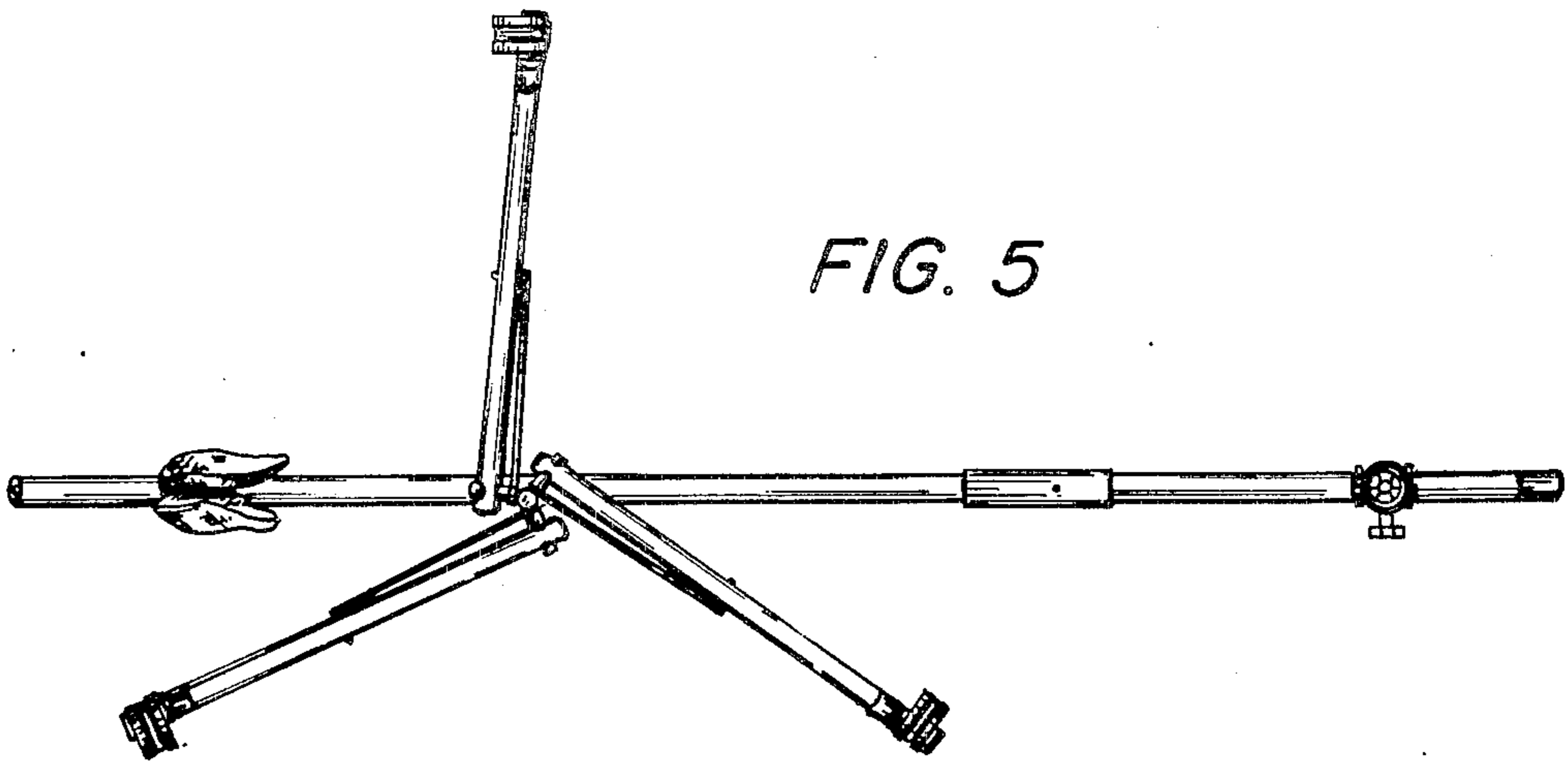


FIG. 5

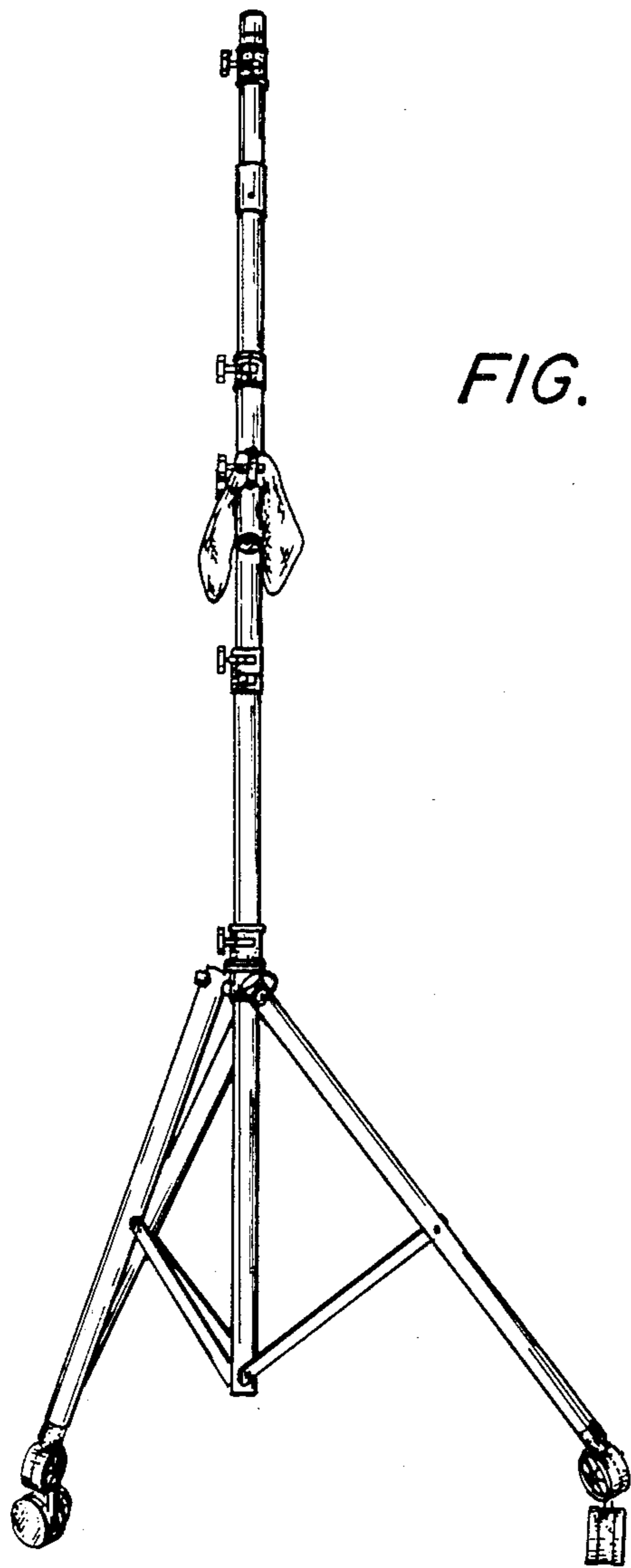


FIG. 6

FIG. 7

