

[54] **CHILD'S BOOSTER SEAT**

[75] **Inventor: James M. Kain, Tipp City, Ohio**

[73] **Assignee: Spalding & Evenflo Companies, Inc., Tampa, Fla.**

[**] **Term: 14 Years**

[21] **Appl. No.: 665,889**

[22] **Filed: Oct. 29, 1984**

[52] **U.S. Cl. D6/333**

[58] **Field of Search D6/333, 339, 347, 379, D6/380; 297/274, 275, 243**

[56] **References Cited**

U.S. PATENT DOCUMENTS

- D. 272,692 2/1984 Hallgren D6/333
- D. 276,099 10/1984 Cone D6/333
- 3,934,934 1/1976 Farrell, Jr. et al. 297/254 X

OTHER PUBLICATIONS

Best Catalog, 1978, p. 397, Booster Seat, item F.

Primary Examiner—Bruce W. Dunkins

Attorney, Agent, or Firm—Spalding & Evenflo Co. Inc.

[57] **CLAIM**

The ornamental design for a child's booster seat, as shown and described.

DESCRIPTION

FIG. 1 is a front elevational view of a child's booster seat showing the design of my invention.

FIG. 2 is a rear elevational view showing the design of my invention.

FIG. 3 is a top plan view showing the design of my invention.

FIG. 4 is a side view showing the design of my invention.

FIG. 5 is a bottom plan view showing the design of my invention.

The side of the seat not shown is a mirror image of the side shown in FIG. 4.

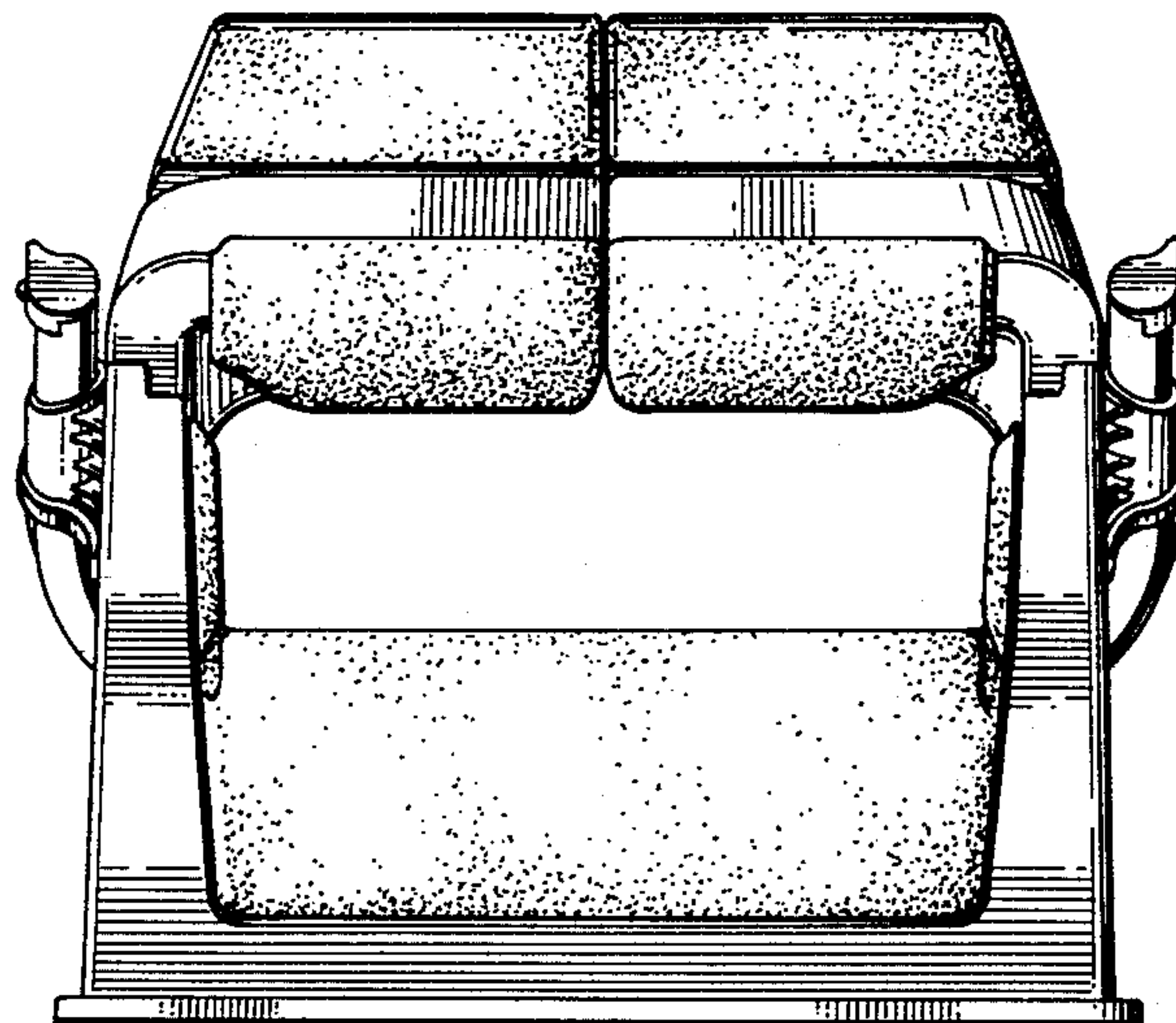


FIG. 1

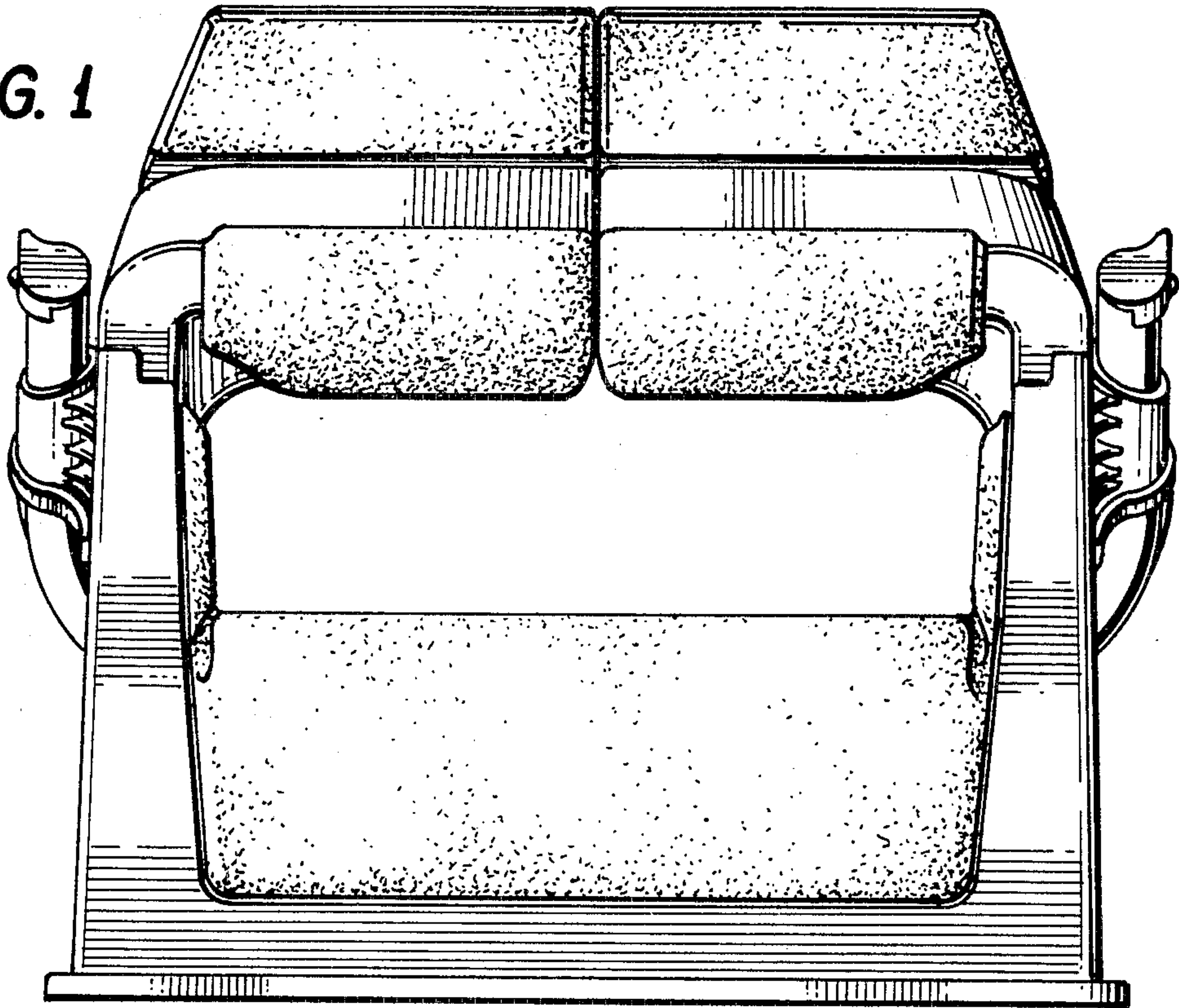
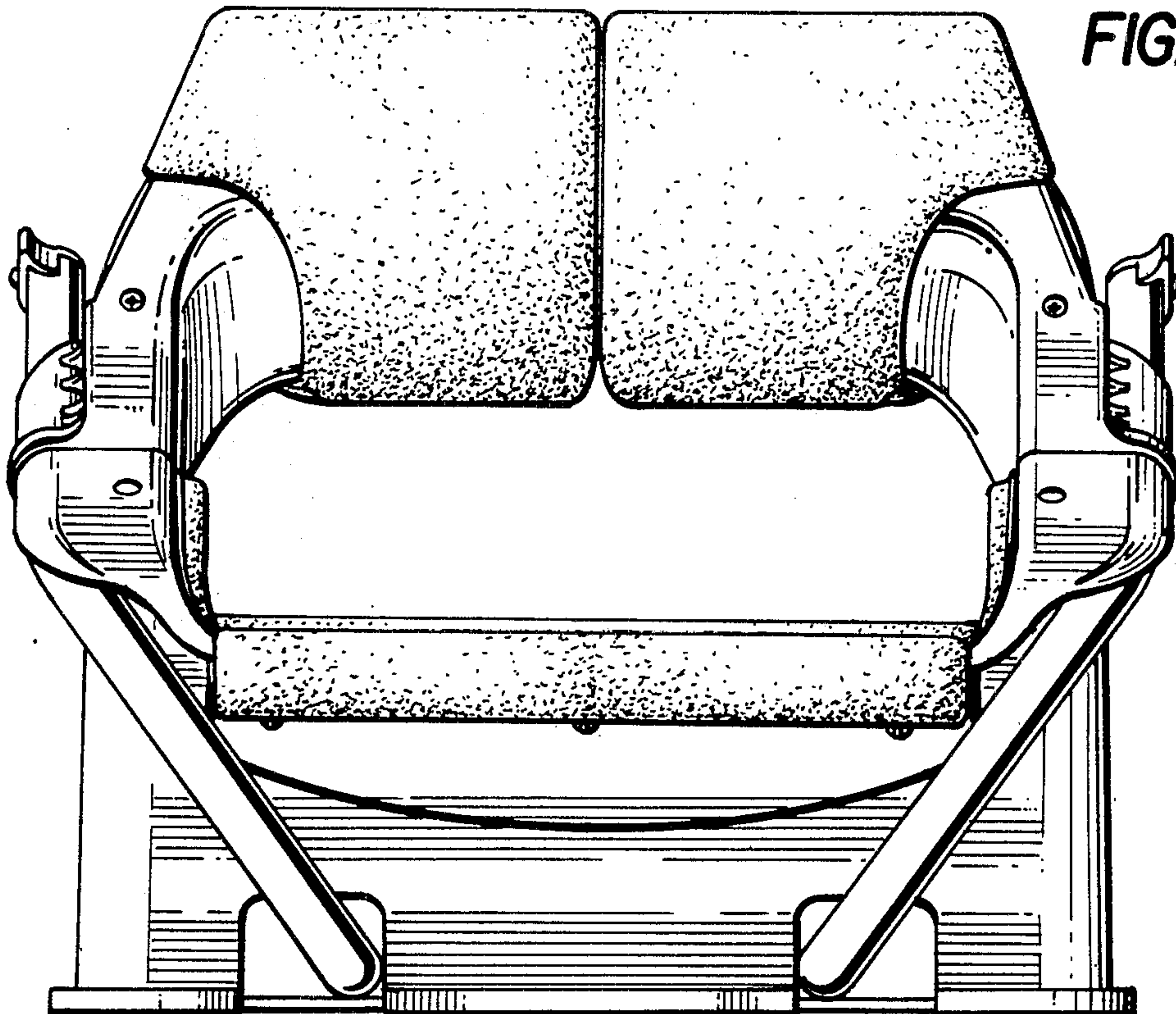


FIG. 2



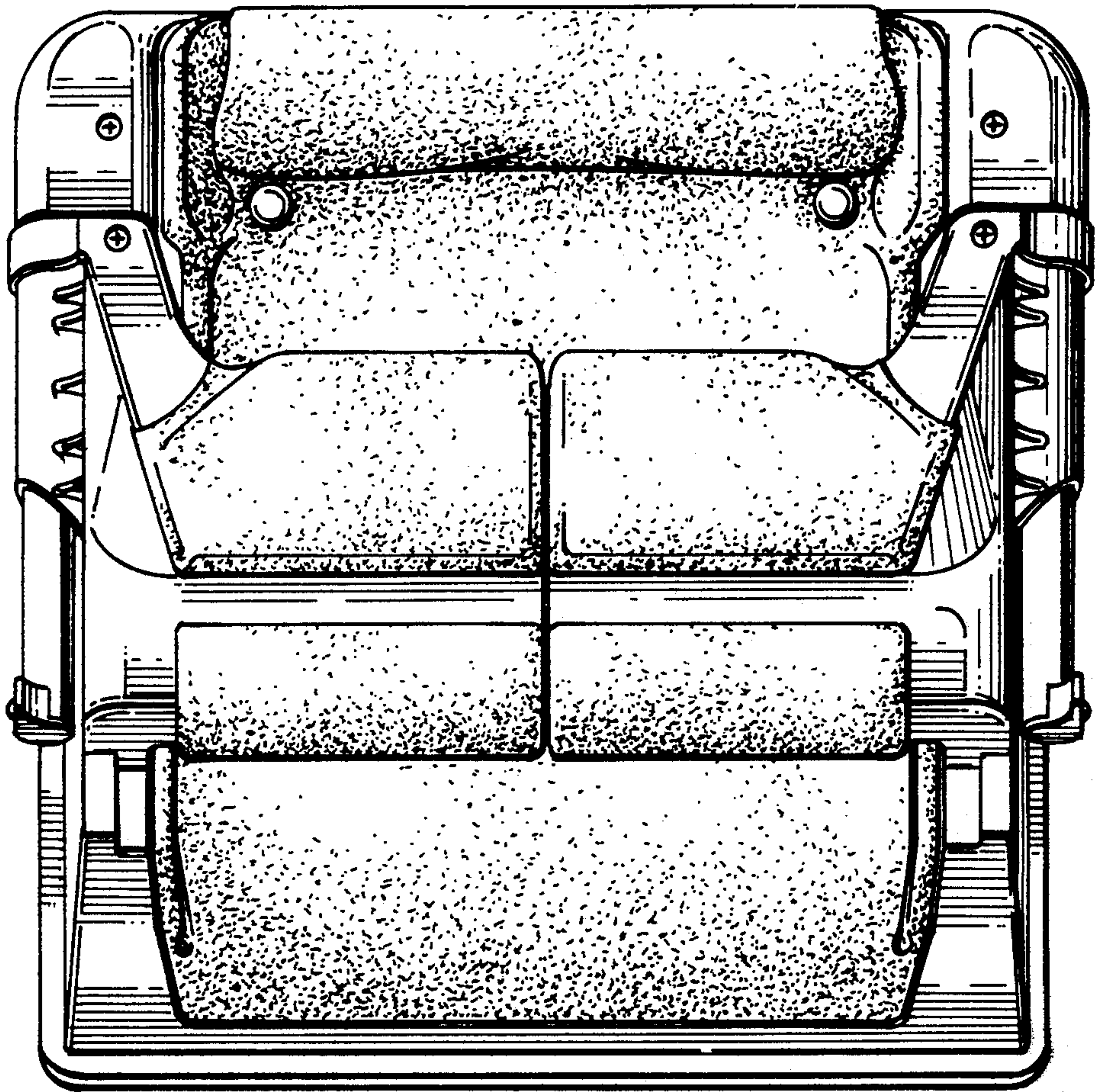


FIG. 3

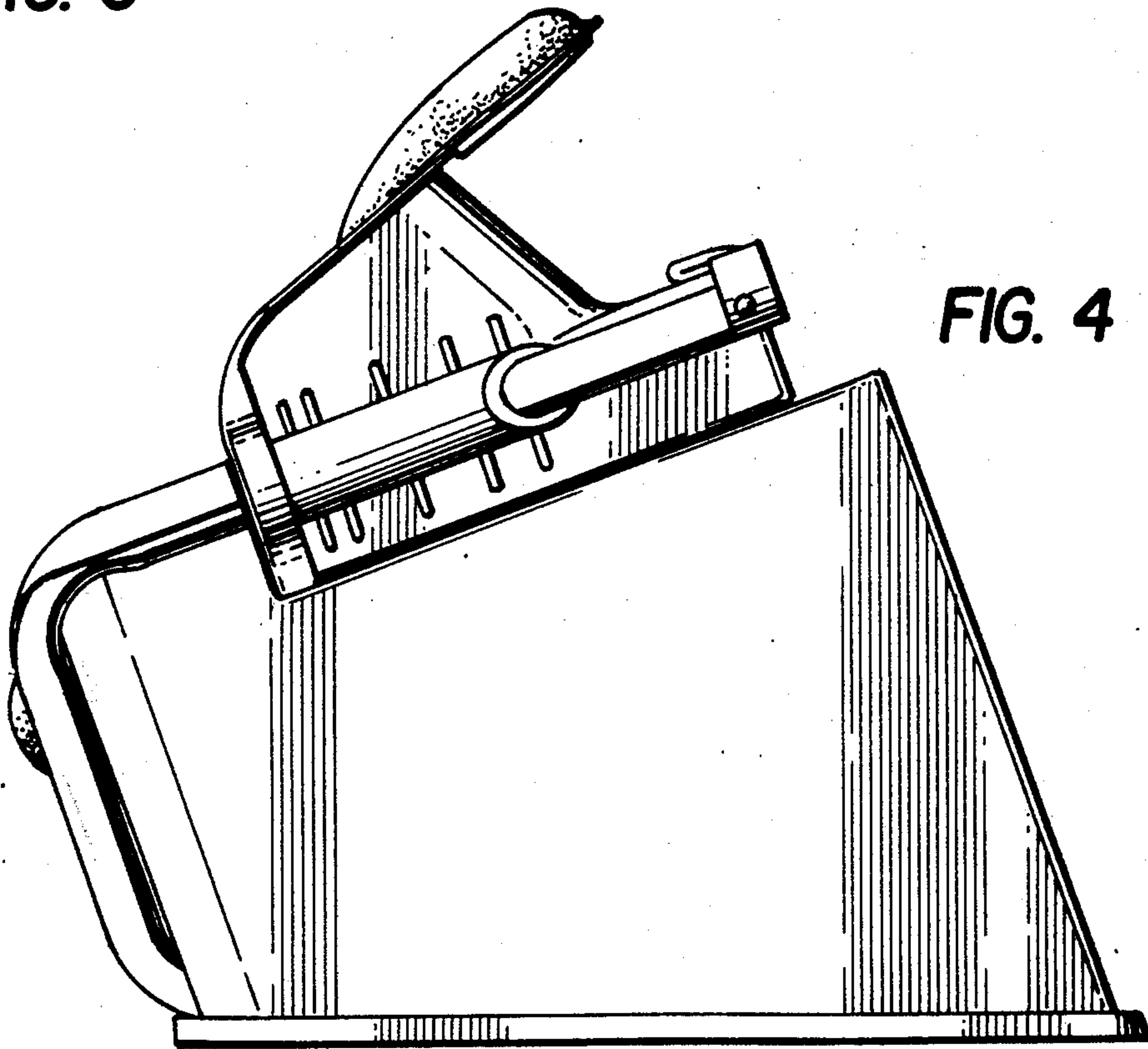


FIG. 4

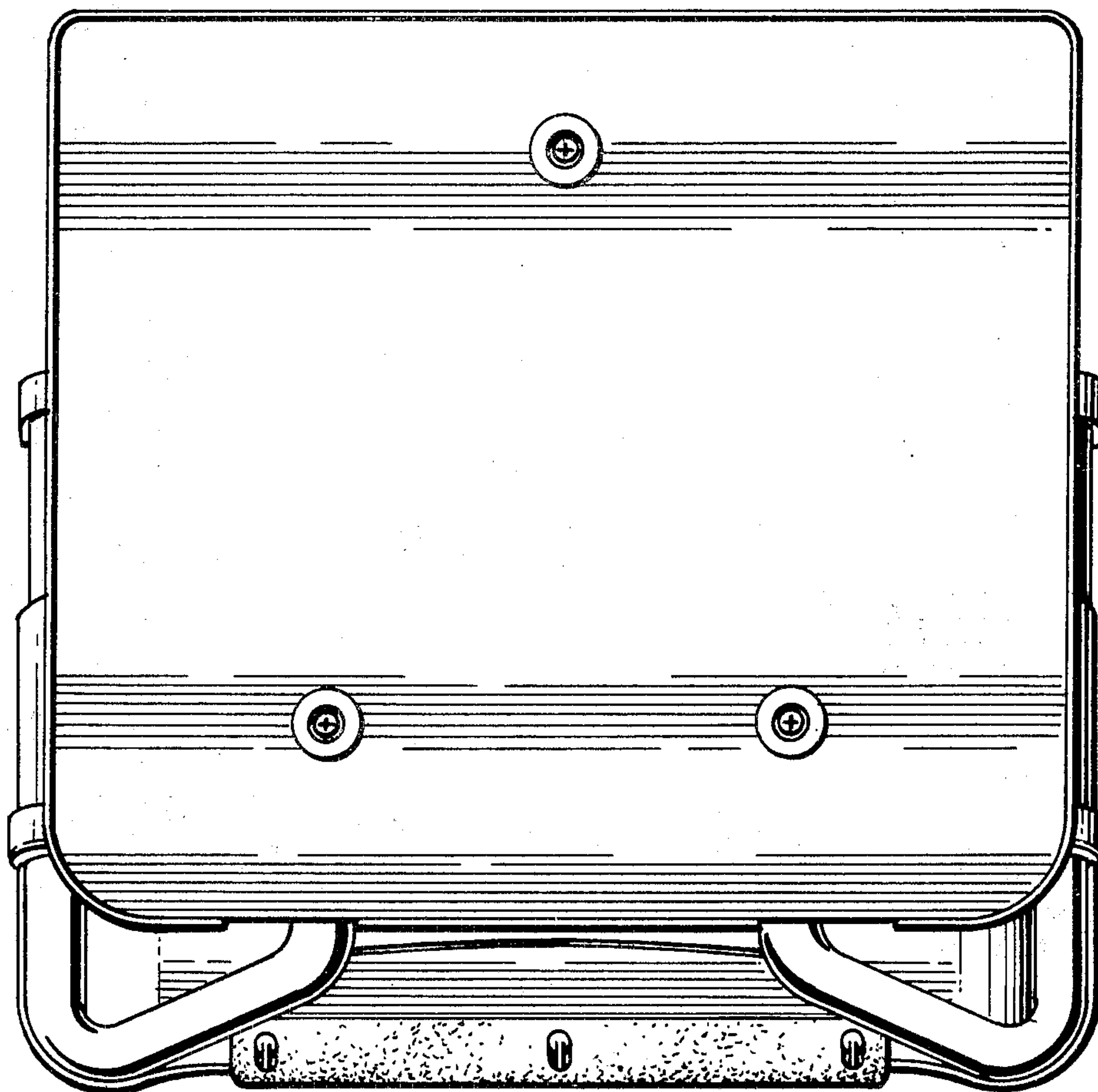


FIG. 5