

[54] LINER FOR A SUITCASE OR THE LIKE

[75] Inventor: Larry B. Humphries, Guelph, Canada

[73] Assignee: Samsonite Corporation, Denver, Colo.

[**] Term: 14 Years

[21] Appl. No.: 654,300

[22] Filed: Sep. 25, 1984

[30] Foreign Application Priority Data

Mar. 27, 1984 [CA] Canada 27-03-84-7

[52] U.S. Cl. D3/74; D3/30.1; D3/76

[58] Field of Search D3/30.1, 33, 35, 72, D3/74-76, 99; 206/387, 569, 570, 316, 318; 190/109-111

[56] References Cited

U.S. PATENT DOCUMENTS

D. 138,665 8/1944 Wilkie D3/74
D. 163,210 5/1951 Long D3/74

D. 178,627 9/1956 Baratelli D3/74
D. 271,444 11/1983 LeVine D3/30.1
D. 278,098 3/1985 Velkas D3/99
4,273,223 6/1981 Tomlinson D3/76
4,513,866 4/1985 Thomas D3/74

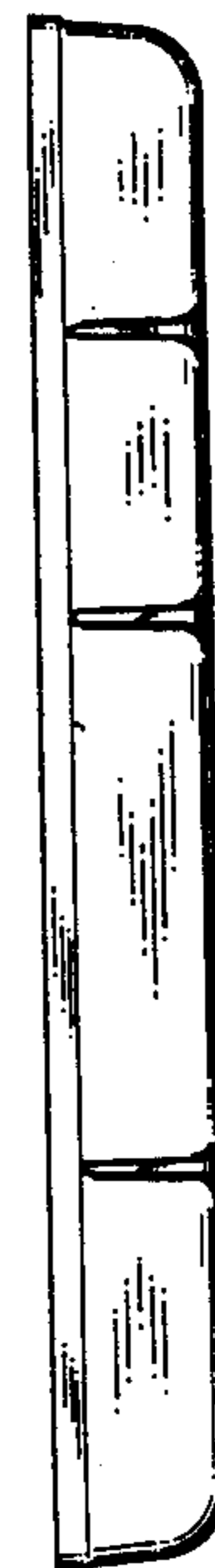
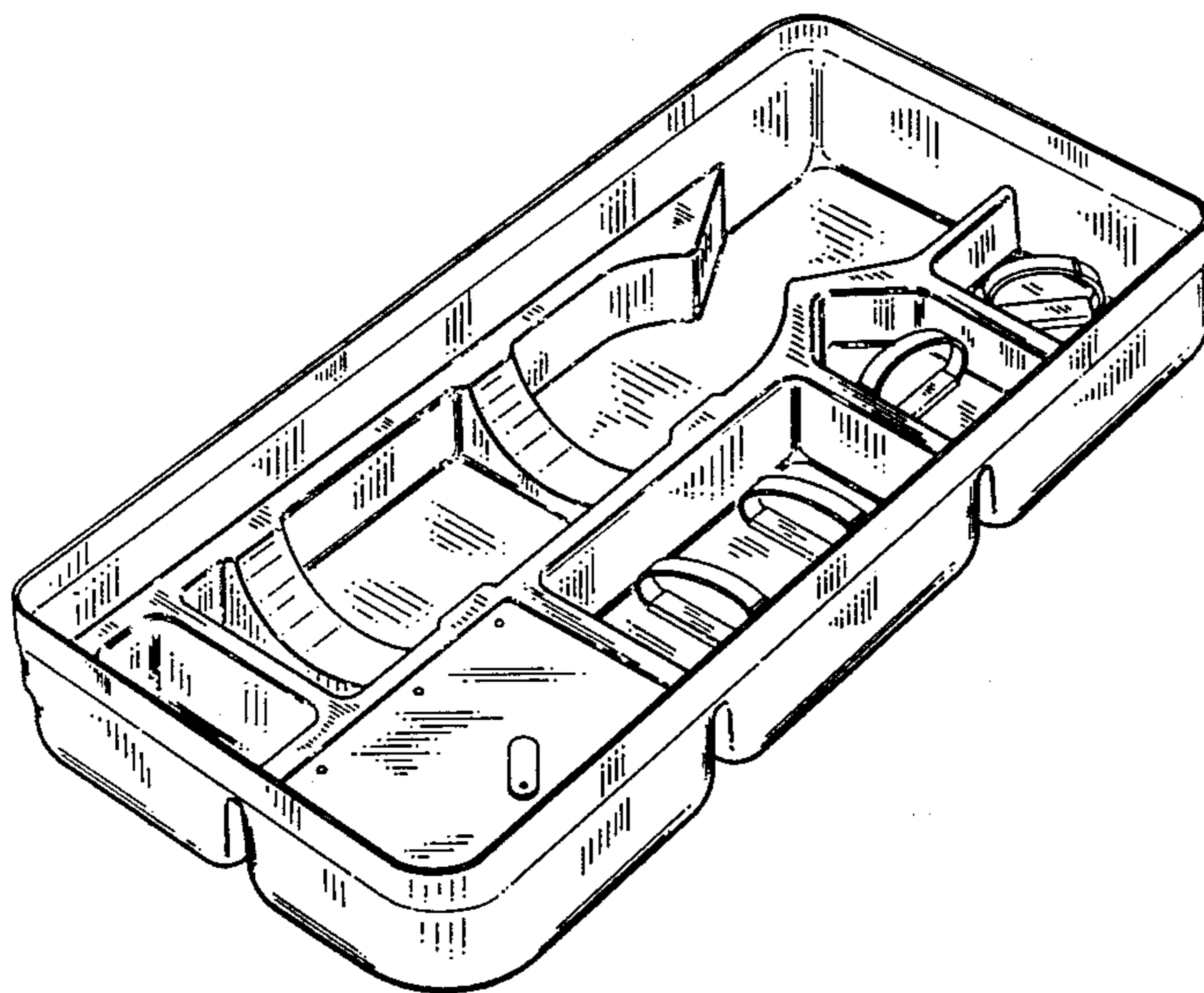
Primary Examiner—George P. Word
Attorney, Agent, or Firm—D. Michael Clayton; Gregory W. O'Connor

[57] CLAIM

The ornamental design for a liner for a suitcase or the like, as shown and described.

DESCRIPTION

FIG. 1 is a top perspective view of a liner for a suitcase or the like showing my new design;
FIG. 2 is a top plan view thereof;
FIG. 3 is a front elevational view thereof;
FIG. 4 is a left end elevational view thereof, showing the end shown in FIG. 1;
FIG. 5 is a right end elevational view thereof, showing the end opposite that shown in FIG. 1;
FIG. 6 is a rear elevational view thereof; and
FIG. 7 is a bottom plan view thereof.



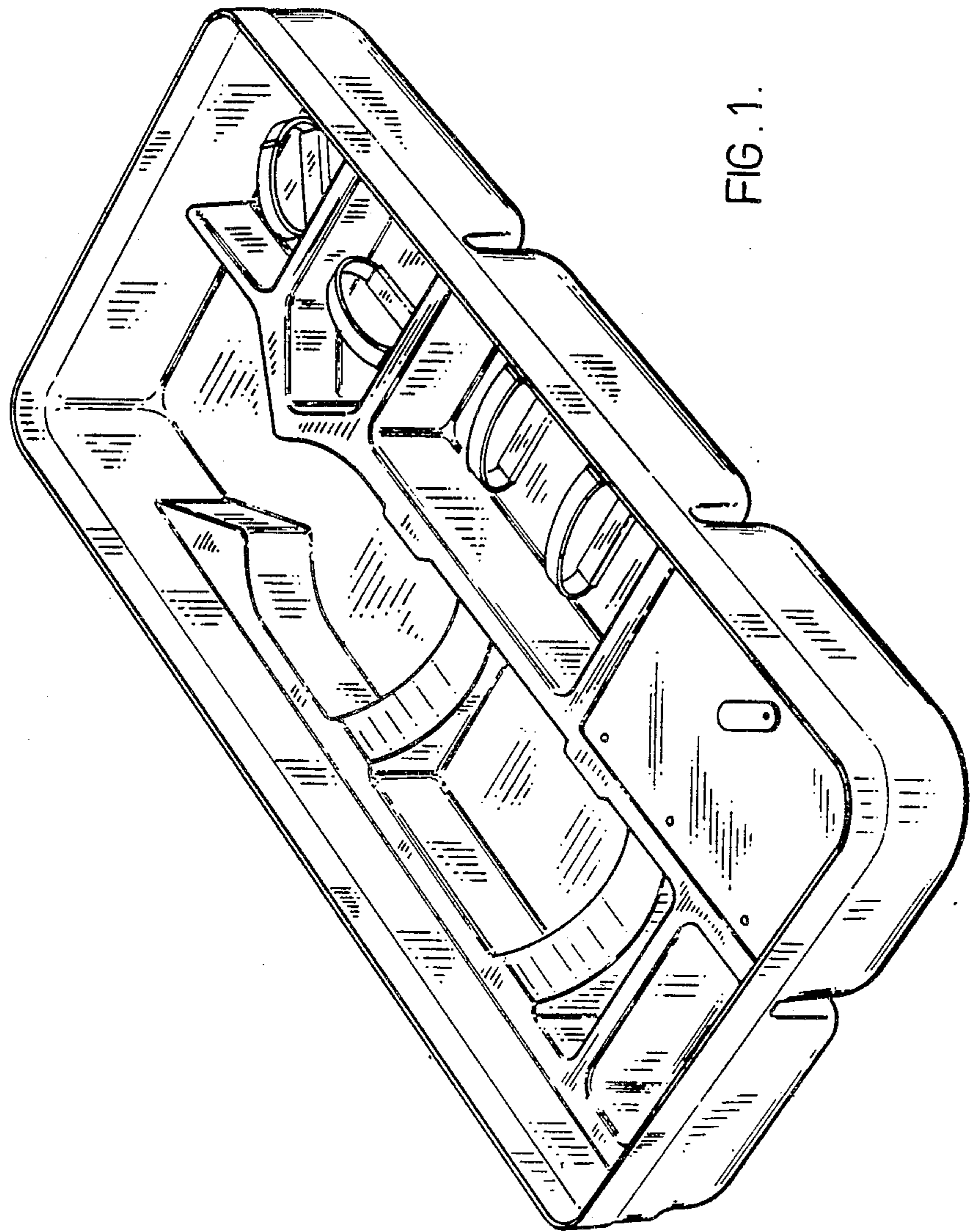


FIG. 1.

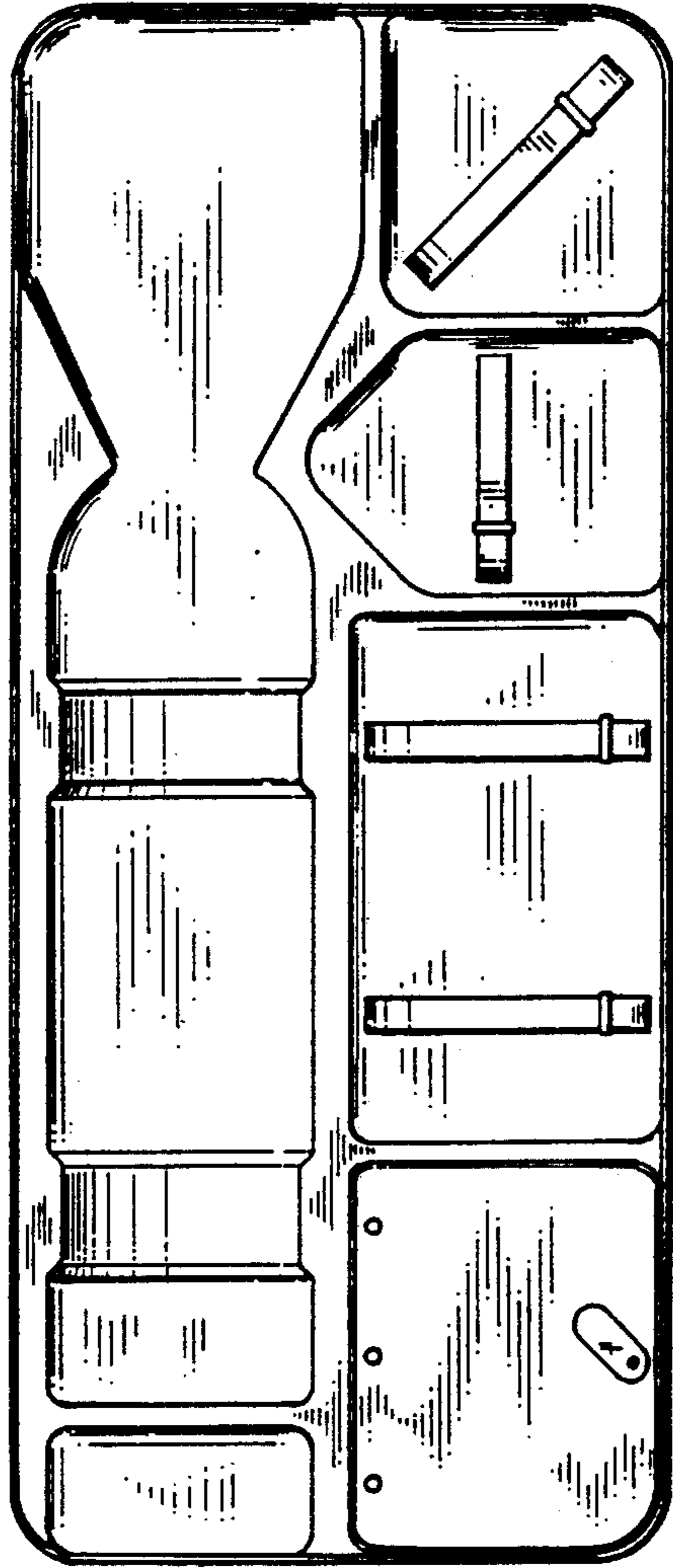


FIG. 2.

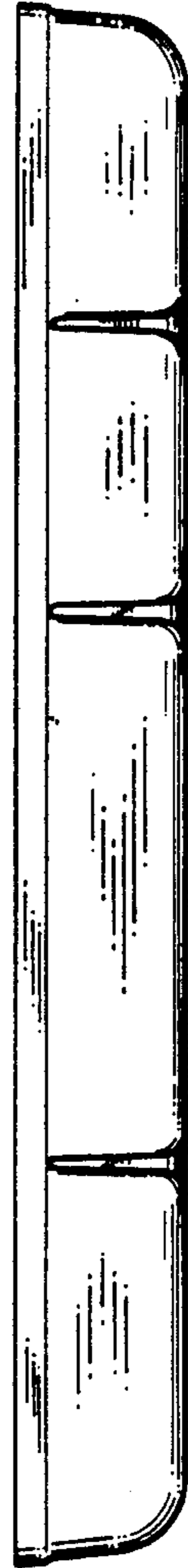


FIG. 3.



FIG. 4.

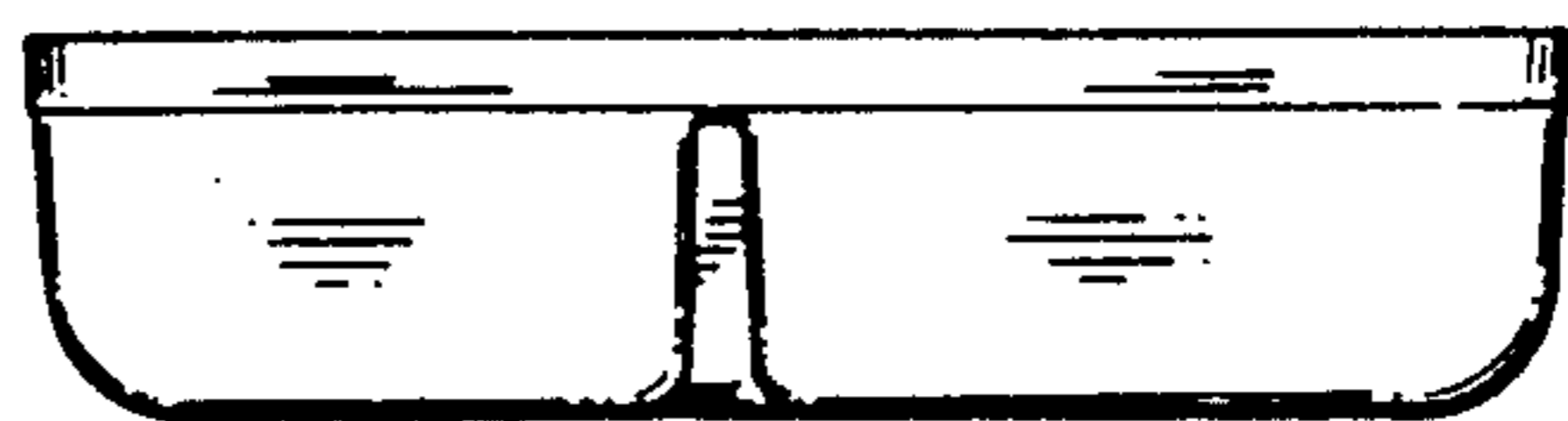


FIG. 5.

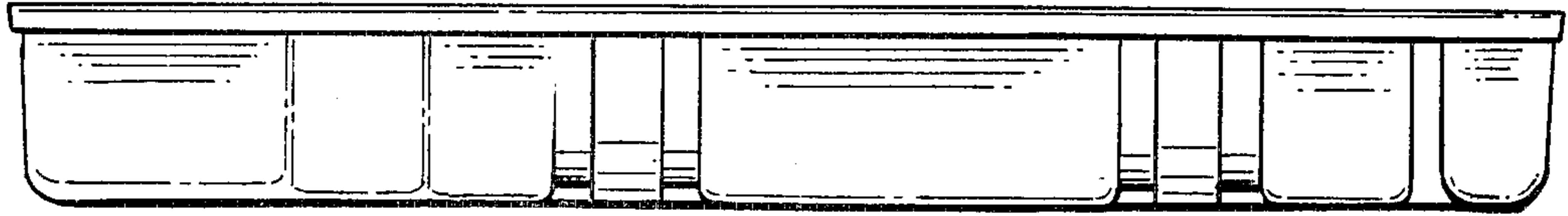


FIG. 6

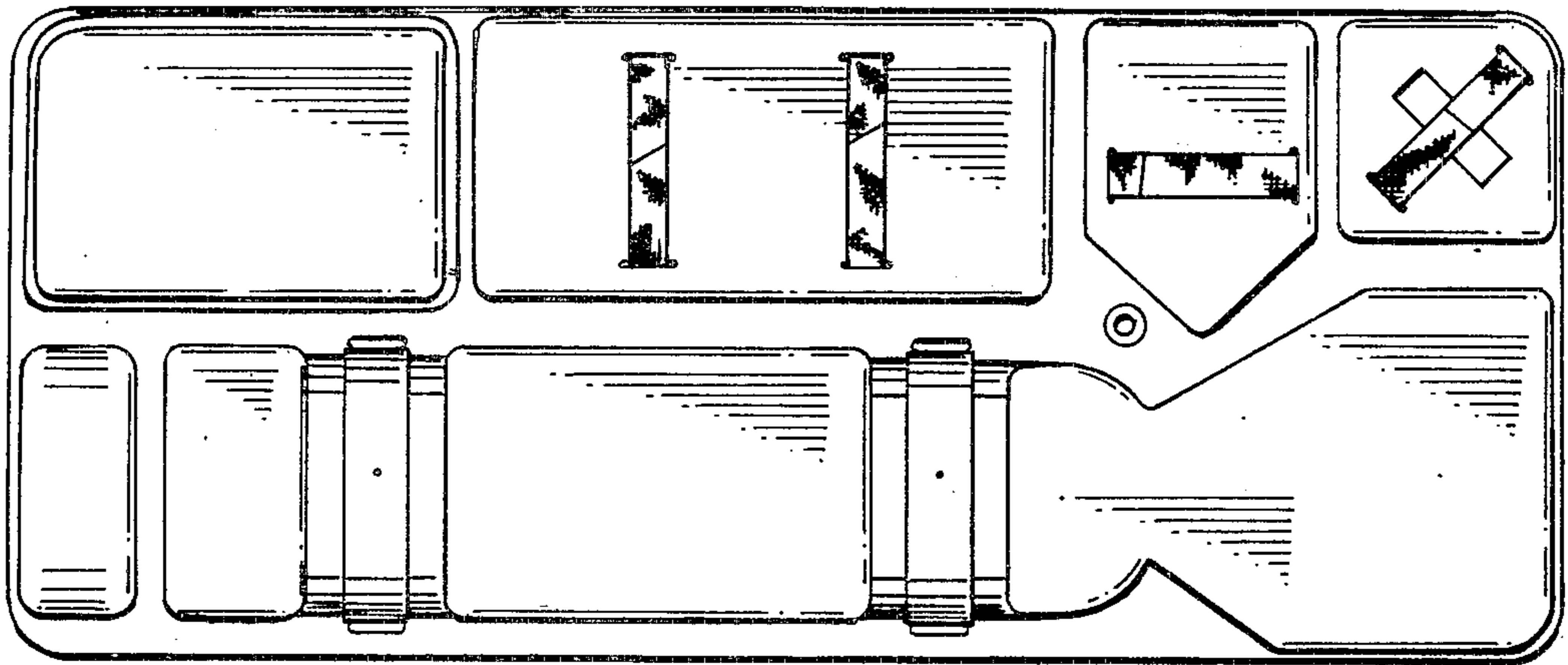


FIG. 7