

[54] STORAGE MODULE FOR AUTOMOBILES WITH HATCHBACKS

[56] References Cited

U.S. PATENT DOCUMENTS

- D. 249,670 9/1978 Vander Waal ..... D12/155
- D. 249,672 9/1978 Vander Waal ..... D12/155
- D. 260,633 9/1981 Gorman ..... D12/157

[76] Inventors: Nancy J. Miles, 824 Ken Way, Anaheim, Calif. 92805; Stephen Dyson, 349 Spindlewood Ctr., Camarillo, Calif. 93010

Primary Examiner—James M. Gandy  
Attorney, Agent, or Firm—Fulwider, Patton, Rieber, Lee & Utecht

[\*\*] Term: 14 Years

[57] CLAIM

The ornamental design for a storage module for automobiles with hatchbacks, as shown and described.

[21] Appl. No.: 623,413

DESCRIPTION

[22] Filed: Jun. 22, 1984

FIG. 1 is a perspective view of the storage module for automobiles with hatchbacks showing our new design; FIG. 2 is an end elevation view thereof; FIG. 3 is a top plan view thereof; FIG. 4 is a bottom plan view thereof; FIG. 5 is a front side elevation view thereof; FIG. 6 is a back side elevation view thereof;

[52] U.S. Cl. .... D3/40; D3/74; D12/157

[58] Field of Search ..... D12/155, 157; D3/40, D3/74; 296/37.8, 37.16; 224/273, 42.42

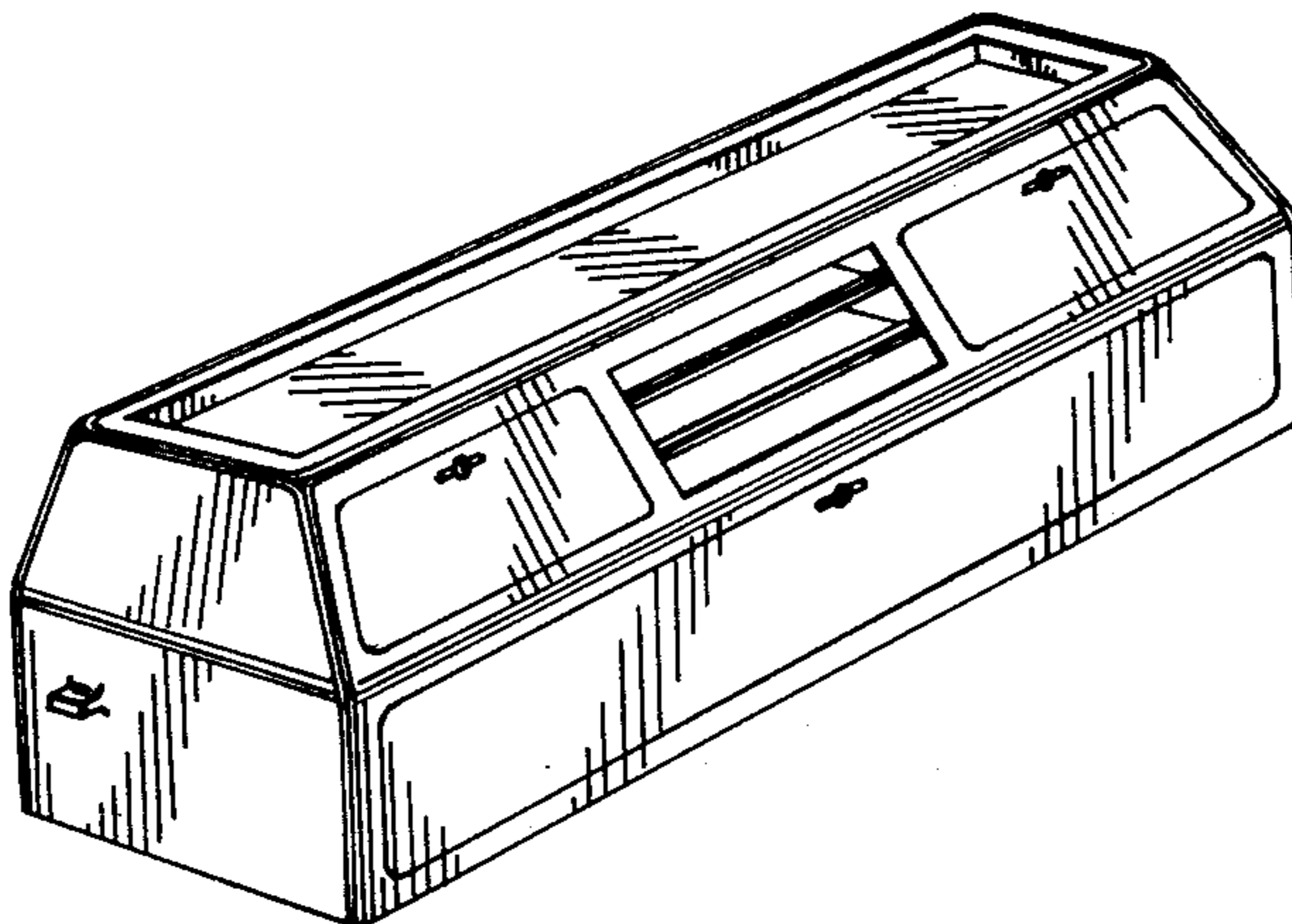


FIG. 1

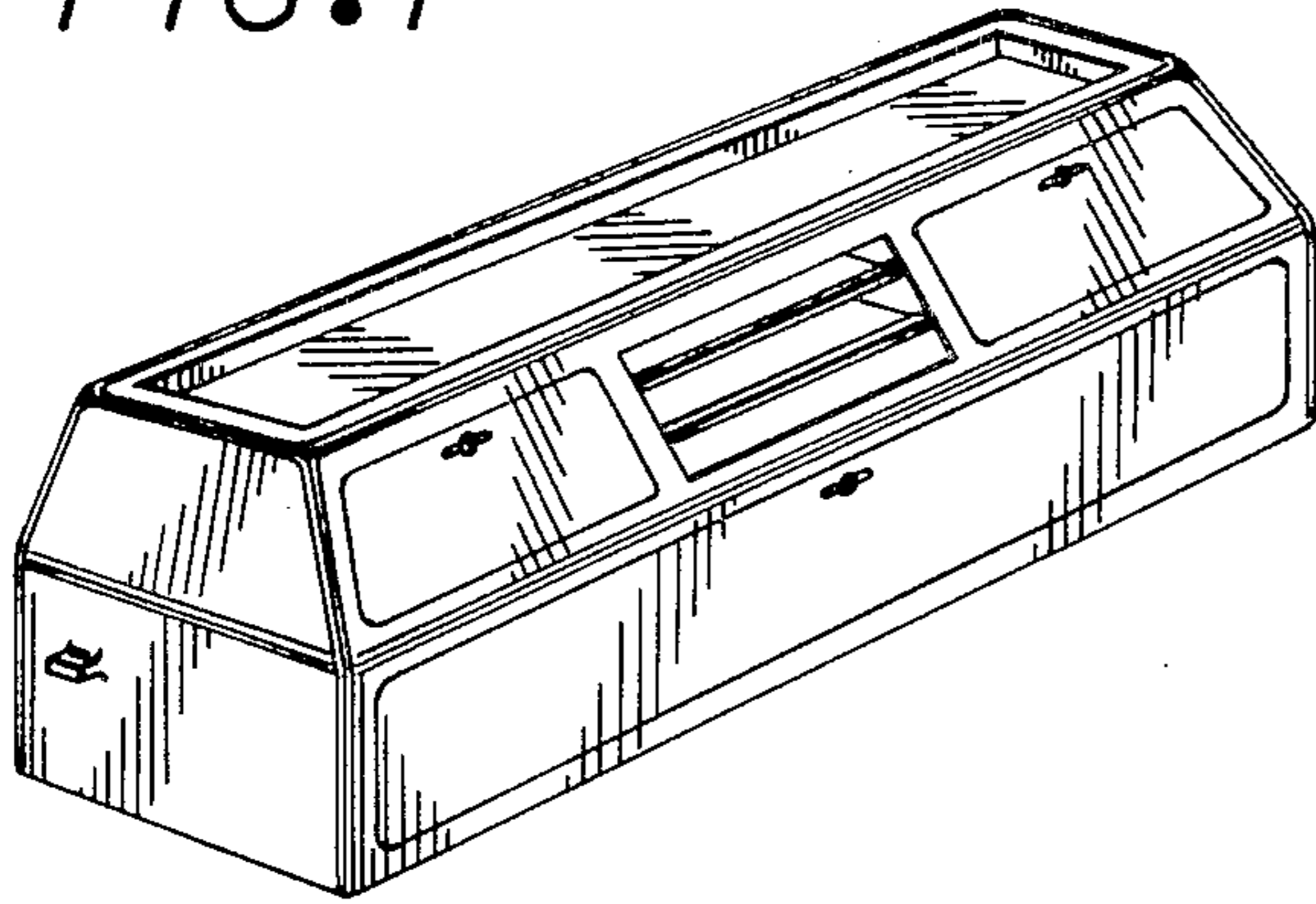


FIG. 2

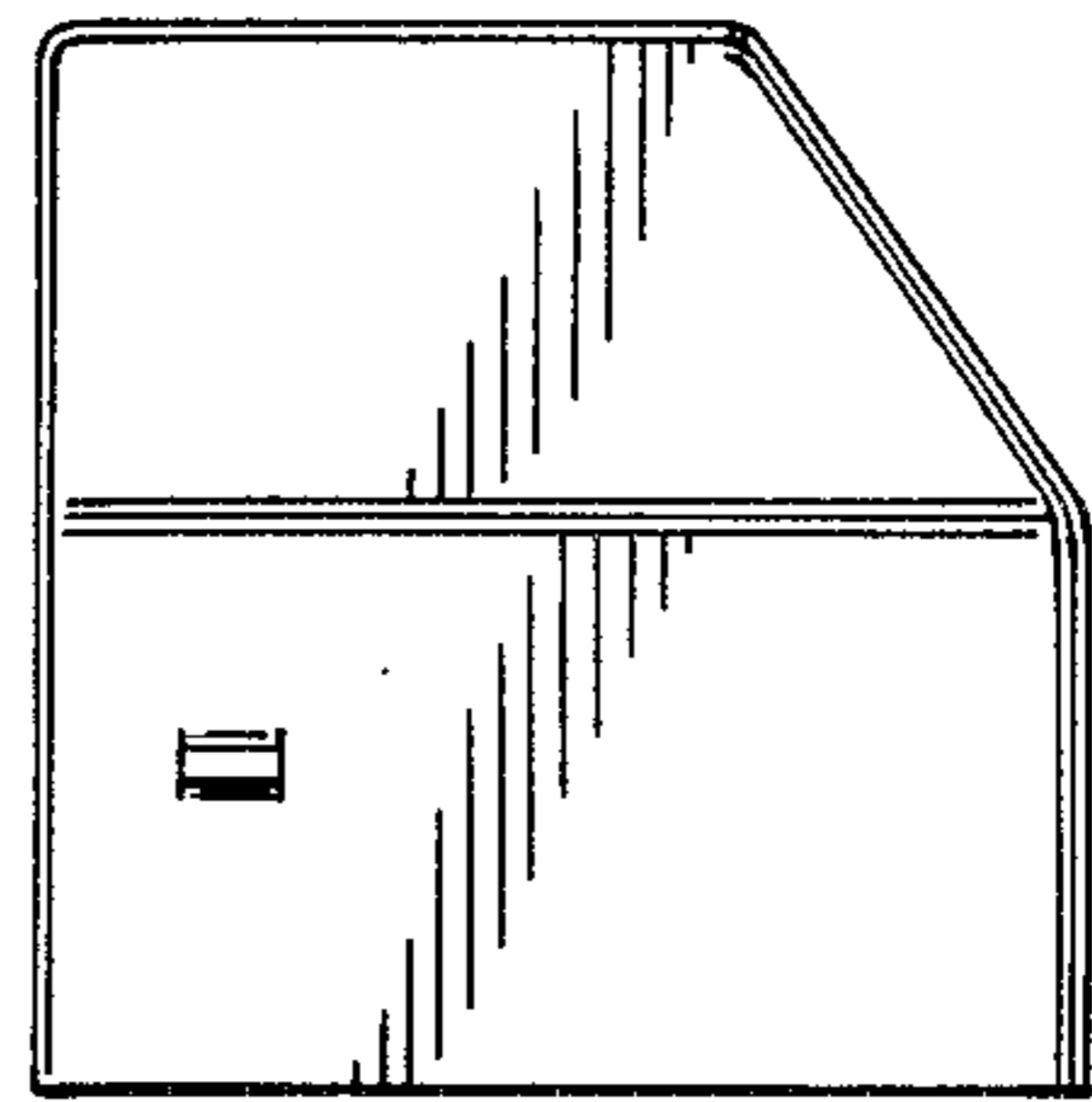


FIG. 3

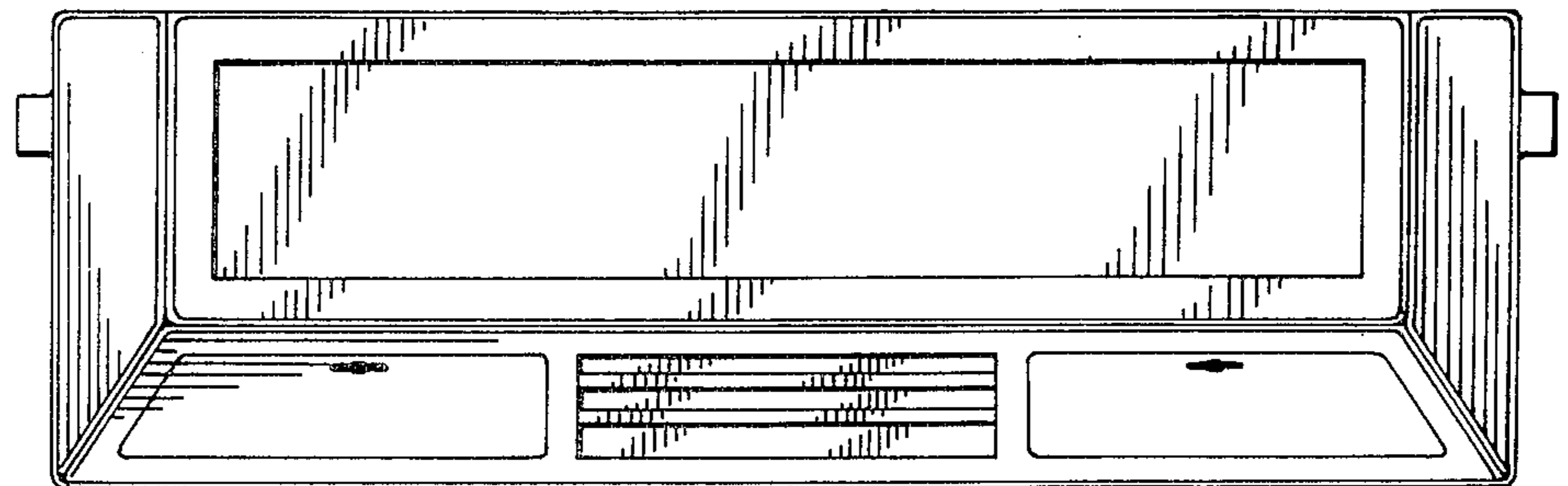


FIG. 4

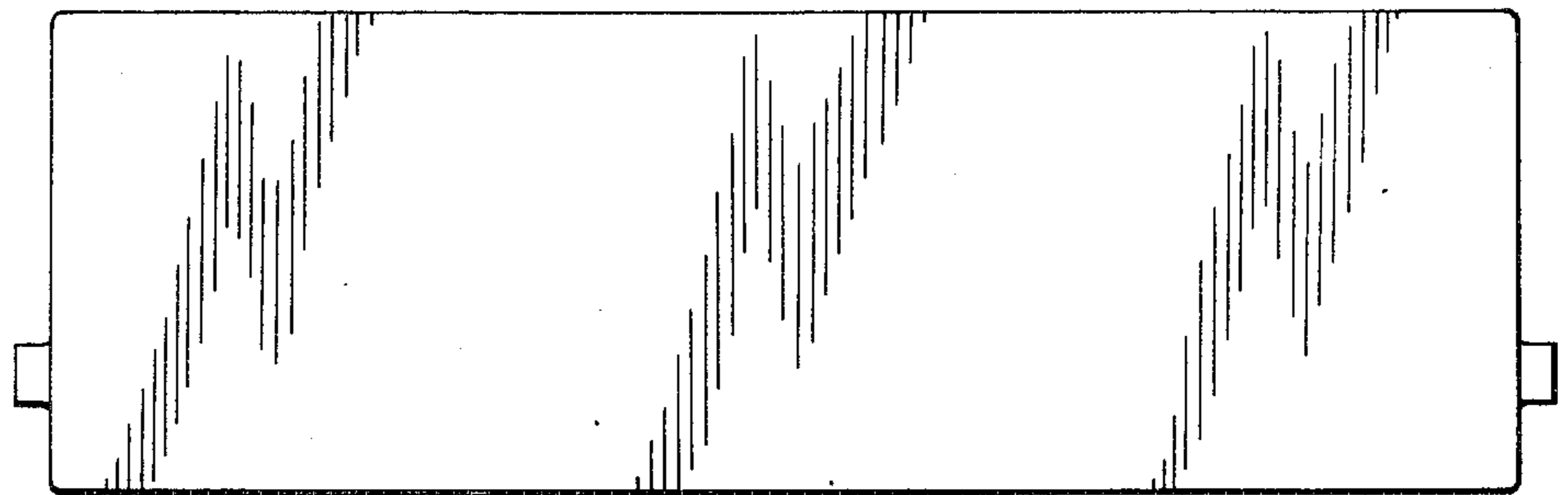


FIG. 5

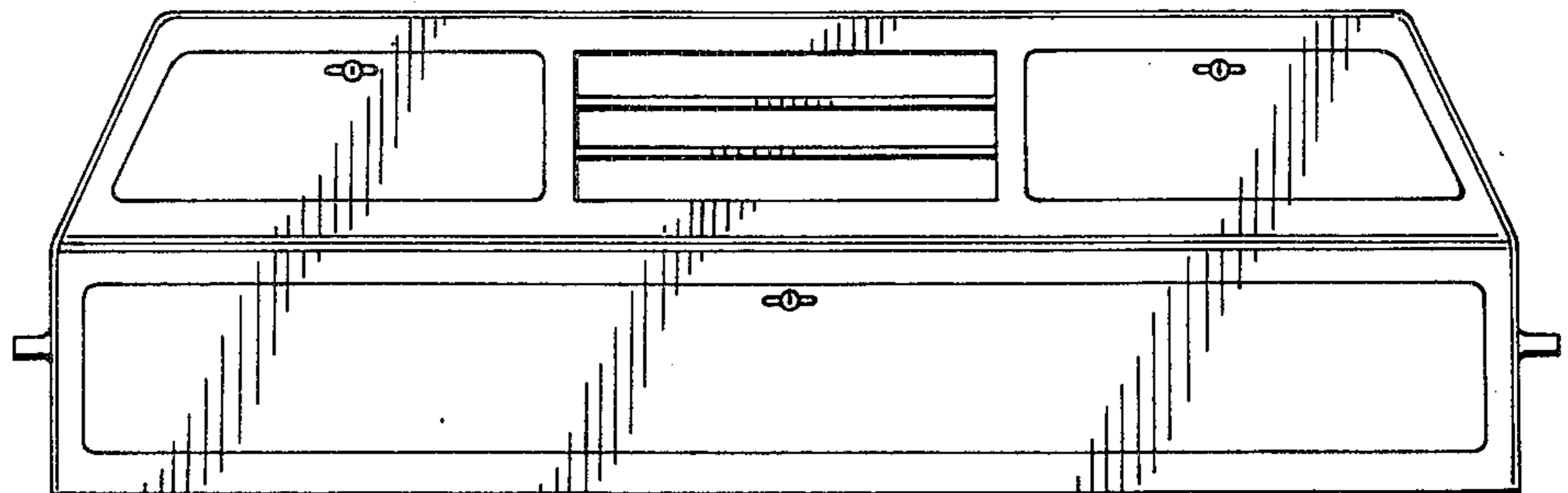
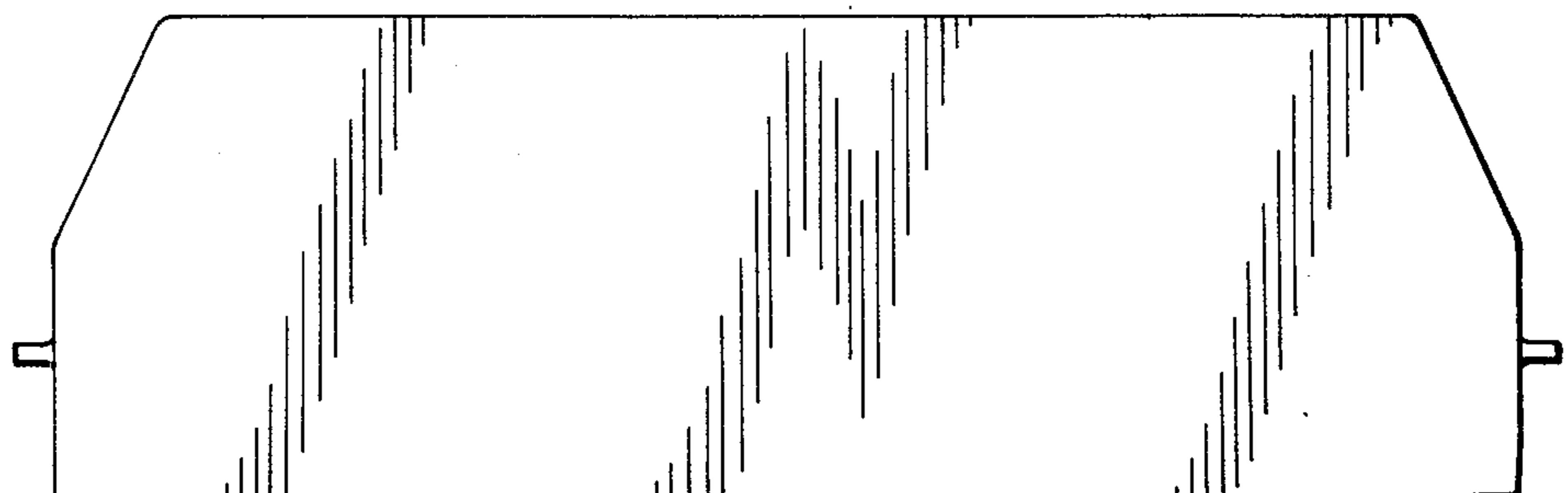


FIG. 6



UNITED STATES PATENT AND TRADEMARK OFFICE  
**CERTIFICATE OF CORRECTION**

PATENT NO. : Des. 289,824  
DATED : May 19, 1987  
INVENTOR(S) : Nancy J. Miles and Stephen Dyson

It is certified that error appears in the above-identified patent and that said Letters Patent is hereby corrected as shown below:

Please change the title of the patent to read as follows:

--STORAGE MODULE FOR AUTOMOBILES WITH REAR ACCESS--.

**Signed and Sealed this**  
**Twenty-seventh Day of October, 1987**

*Attest:*

*Attesting Officer*

DONALD J. QUIGG

*Commissioner of Patents and Trademarks*