

[54] **MAGNETIC PATTERN READER**
[76] Inventor: **Josephine L. Ciavarella, 3229 Main St., Mineral Ridge, Ohio 44440**
[**] Term: **14 Years**
[21] Appl. No.: **667,761**
[22] Filed: **Nov. 2, 1984**
[52] U.S. Cl. **D3/18**
[58] Field of Search **D3/18; 33/143 R, 173, 33/486, 484, 485, 427; D10/61, 62, 64, 70, 71**

3,068,580 12/1962 Orthwin 33/485 X

Primary Examiner—Bernard Ansher
Assistant Examiner—Terry Pfeffer
Attorney, Agent, or Firm—Warren N. Low; Renee S. Rutkowski

[57] **CLAIM**

The ornamental design for a magnetic pattern reader, substantially as shown and described.

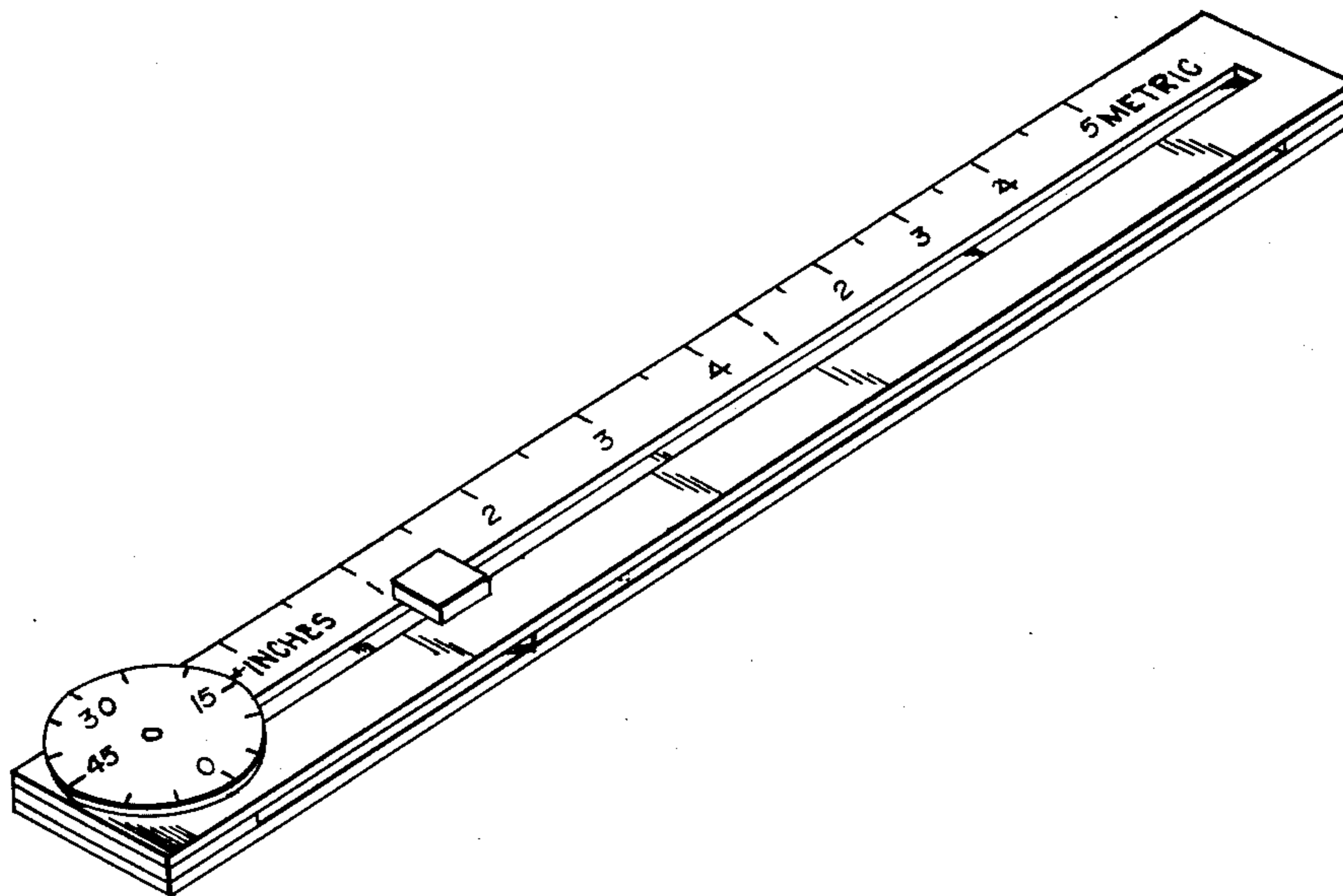
DESCRIPTION

FIG. 1 is a top, front right side perspective view of a magnetic pattern reader showing my new design; FIG. 2 is a top plan view thereof; FIG. 3 is a side elevation thereof; and FIG. 4 is a bottom view thereof. The side opposite that shown in FIG. 3 is substantially similar thereto.

[56] **References Cited**

U.S. PATENT DOCUMENTS

D. 247,452	3/1978	Kitay	D10/70 X
D. 265,695	8/1982	Ciavarella	D3/18
450,065	4/1891	Fontaine	D10/64 X
2,675,617	4/1954	Goldman et al.	33/173 X



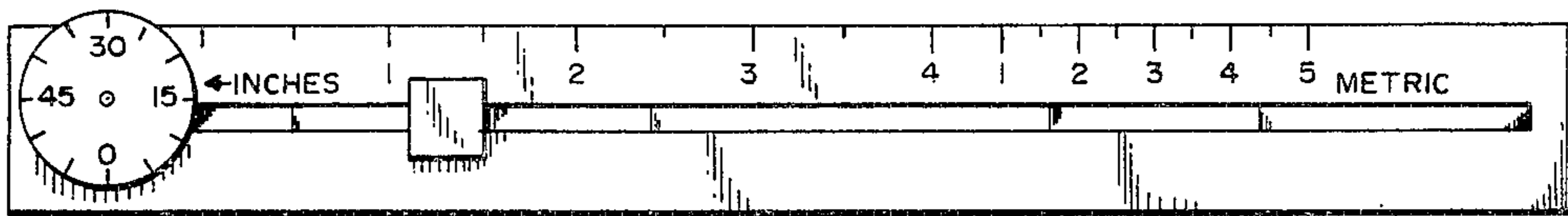
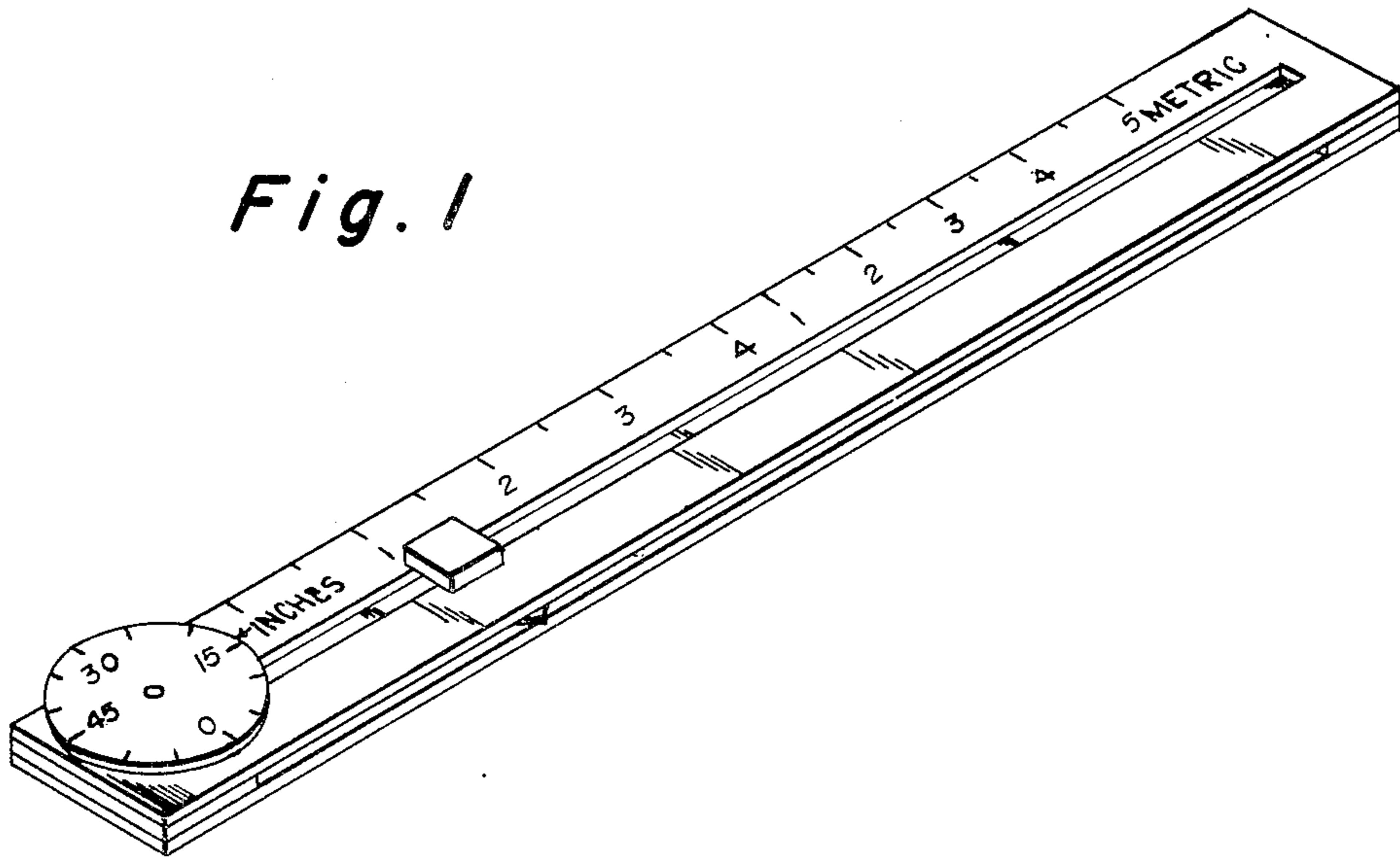


Fig. 2

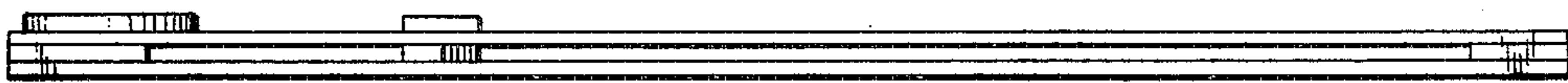


Fig. 3

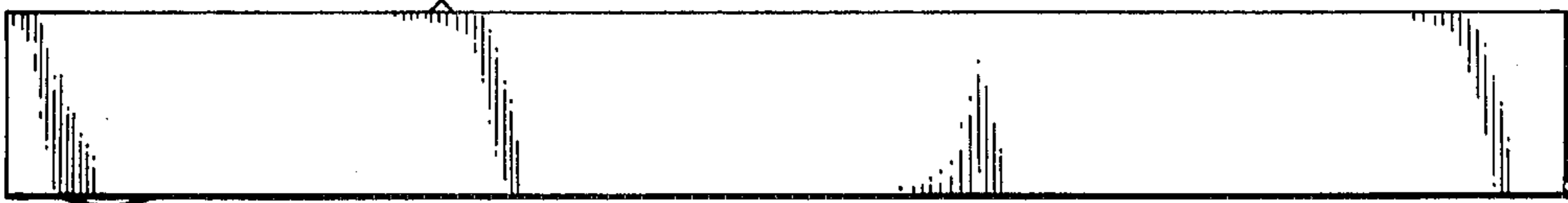


Fig. 4