

[54] CART

[76] Inventor: Roger J. Morrisette, P.O. Box 1399, Southbridge, Mass. 01550

[\*\*] Term: 14 Years

[21] Appl. No.: 634,993

[22] Filed: Jul. 27, 1984

[52] U.S. Cl. .... D34/25

[58] Field of Search ..... D34/12, 19, 24, 25, D34/26; 280/652, 657, 47.25, 47.26, 47.33, 47.37 R, 63, 204, 47.18; D12/113, 114

[56] References Cited

U.S. PATENT DOCUMENTS

3,792,875	2/1974	Paden	280/204
3,877,723	4/1975	Fahey et al.	280/47.26
4,253,677	3/1981	Wissler	280/47.33
4,274,649	6/1981	Vanderhorst et al.	280/204

4,451,053 5/1984 Alioa et al. .... 280/47.26

FOREIGN PATENT DOCUMENTS

808416 7/1951 Fed. Rep. of Germany ..... 280/204

Primary Examiner—James M. Gandy  
Assistant Examiner—Kay H. Chin  
Attorney, Agent, or Firm—Blodgett & Blodgett

[57] CLAIM

The ornamental design for a cart, as shown and described.

DESCRIPTION

FIG. 1 is a front elevational view of a cart showing my new design,  
FIG. 2 is a top plan view thereof,  
FIG. 3 is a rear elevational view thereof,  
FIG. 4 is a bottom plan view thereof, and  
FIG. 5 is a left side elevational view thereof, the right side view being a mirror image of that shown.

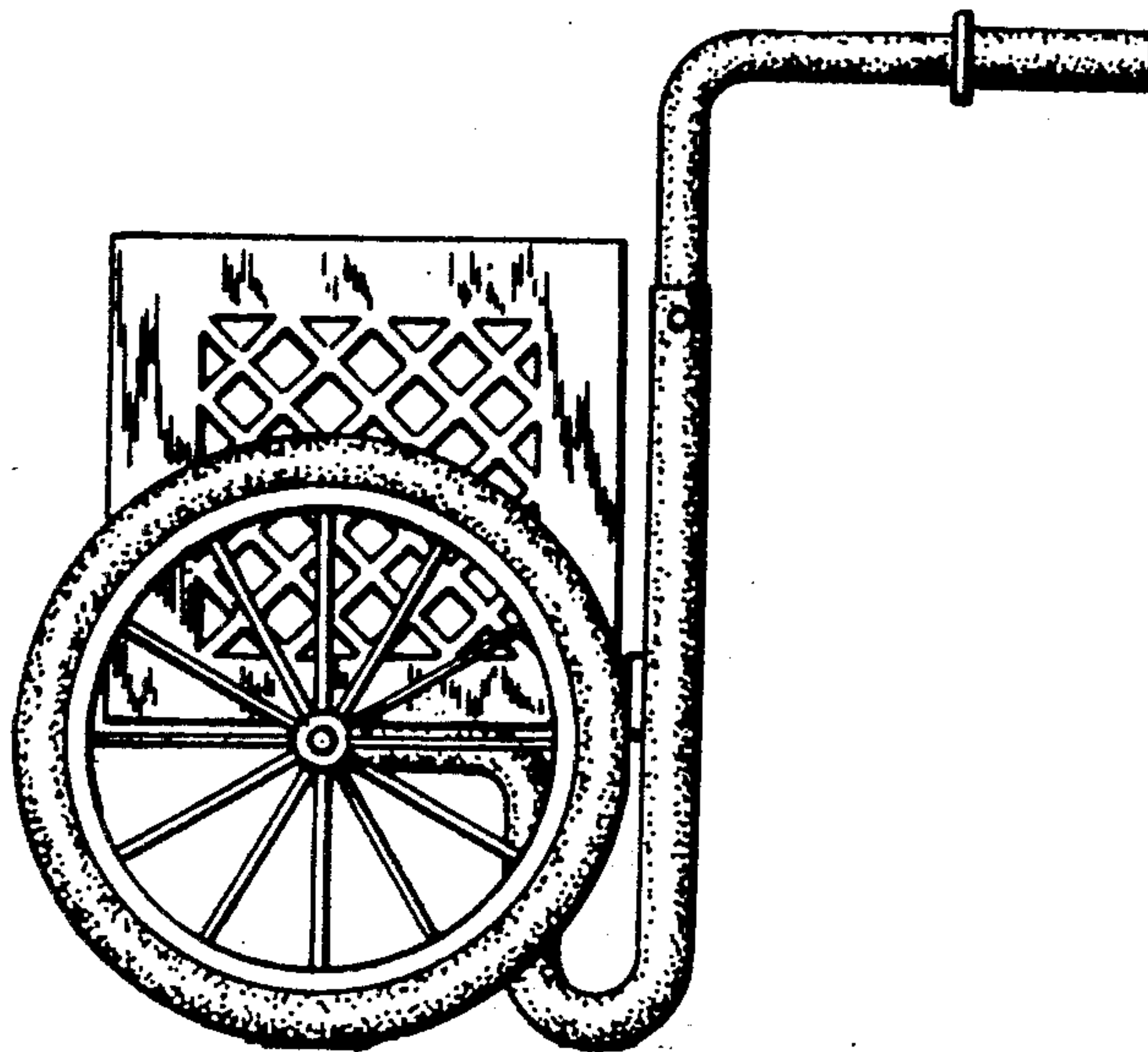


FIG. 1

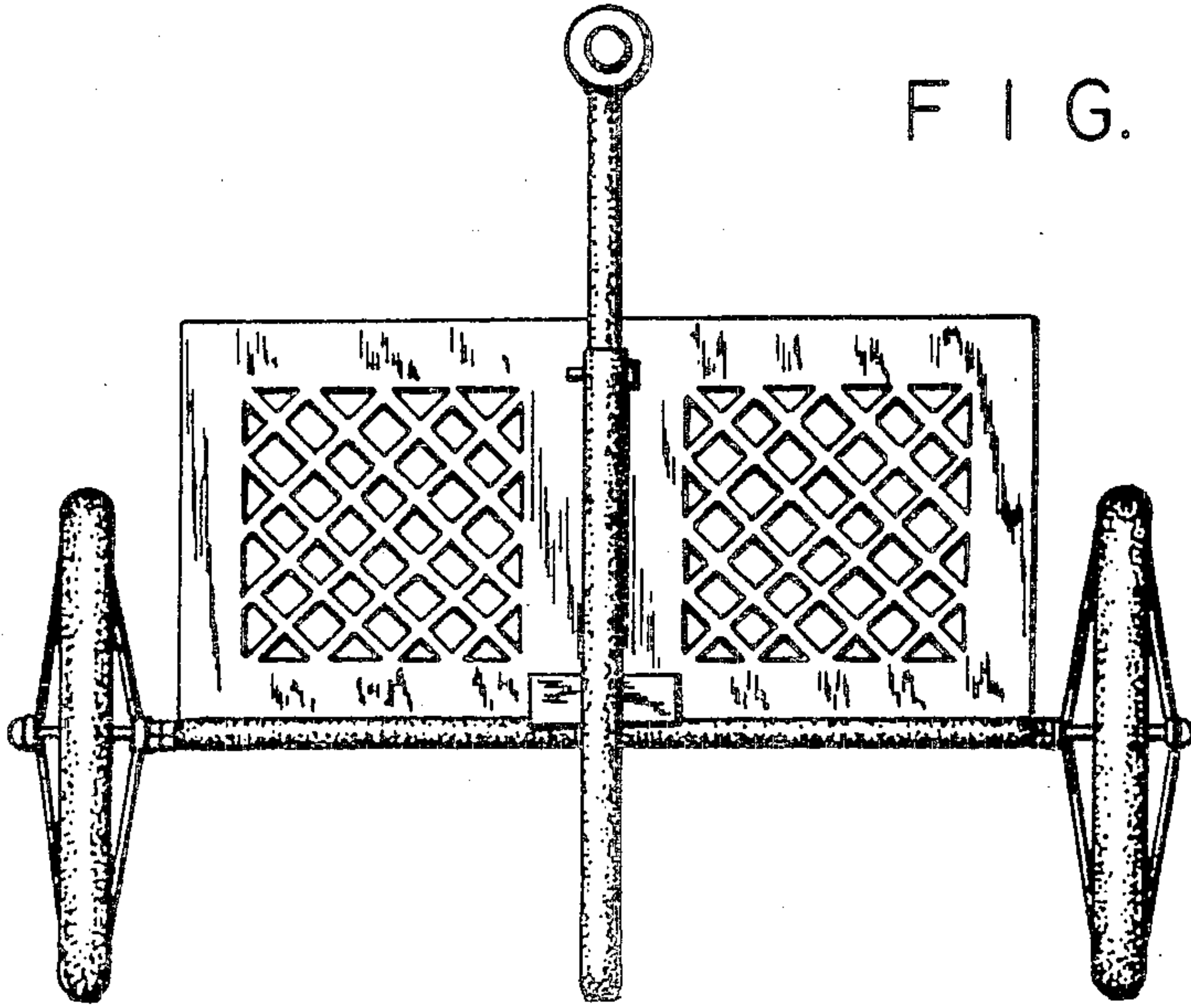


FIG. 2

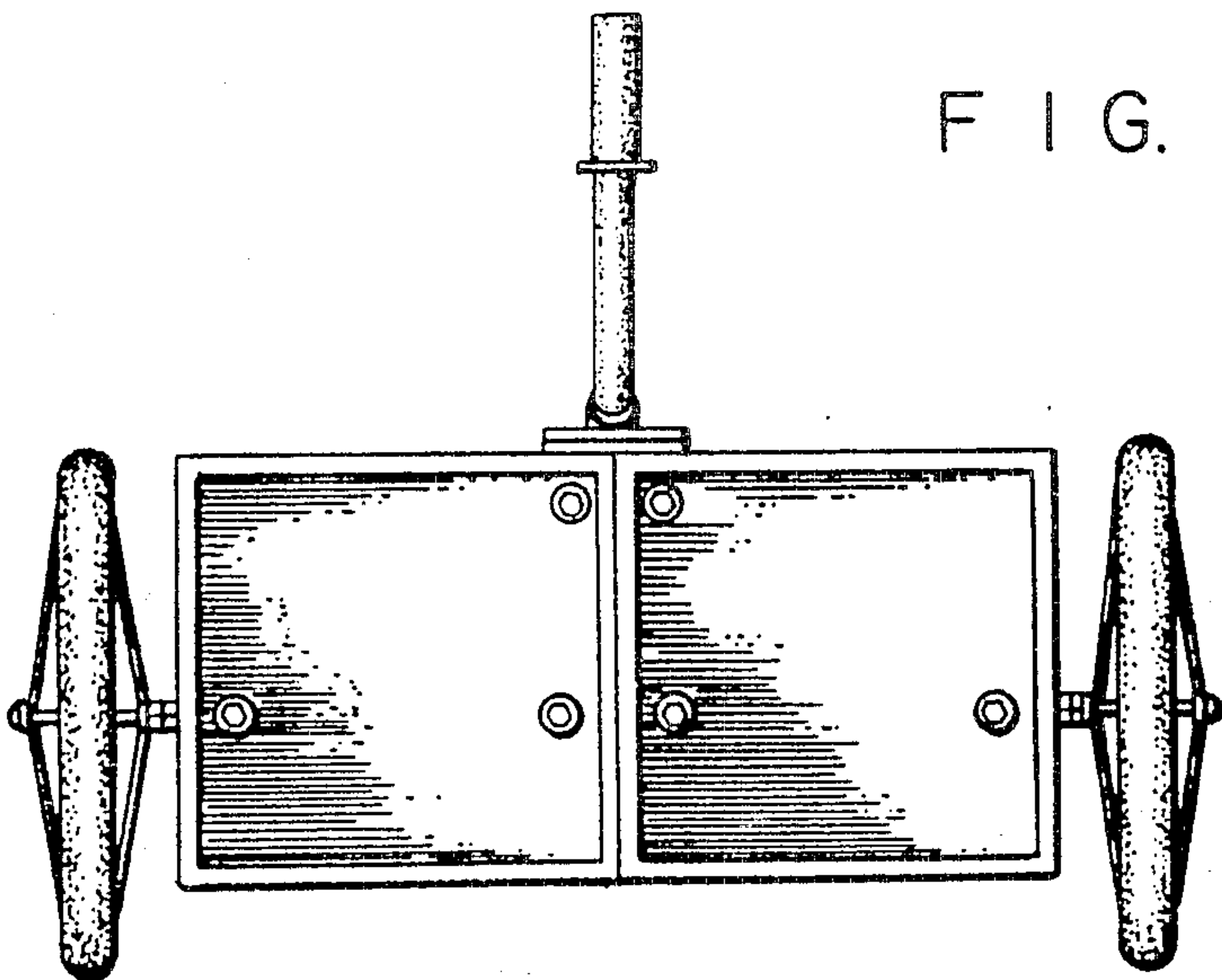


FIG. 3

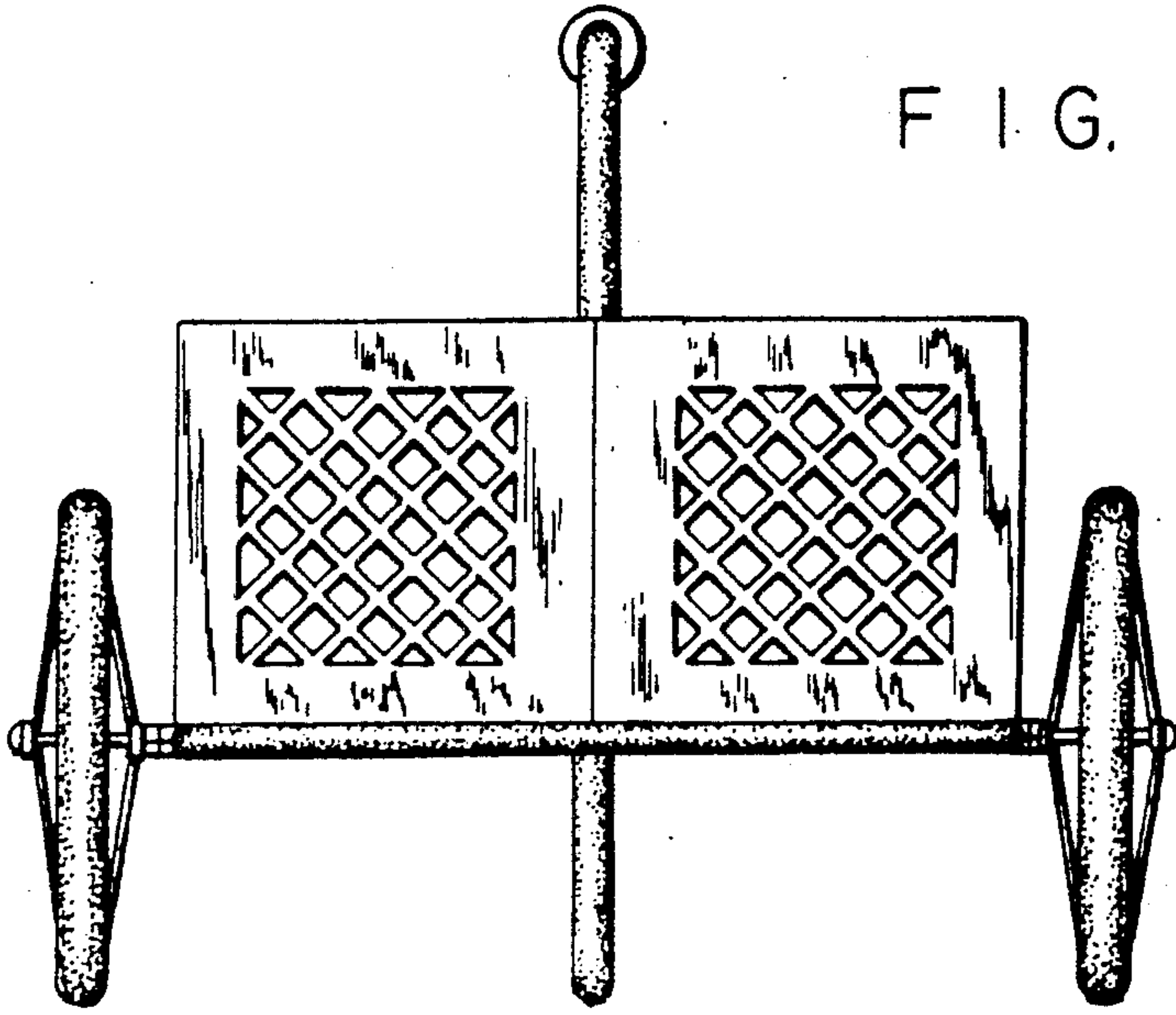
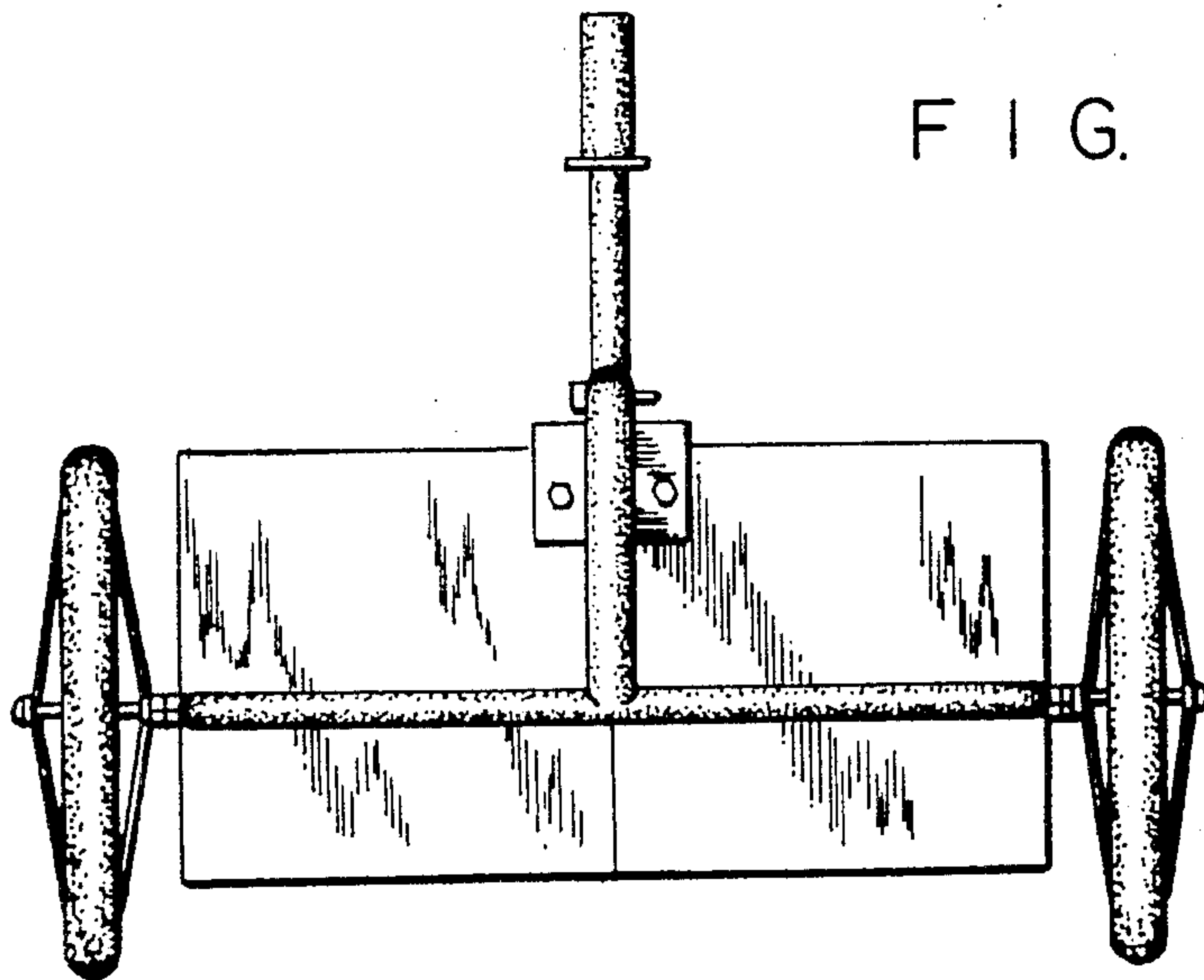


FIG. 4



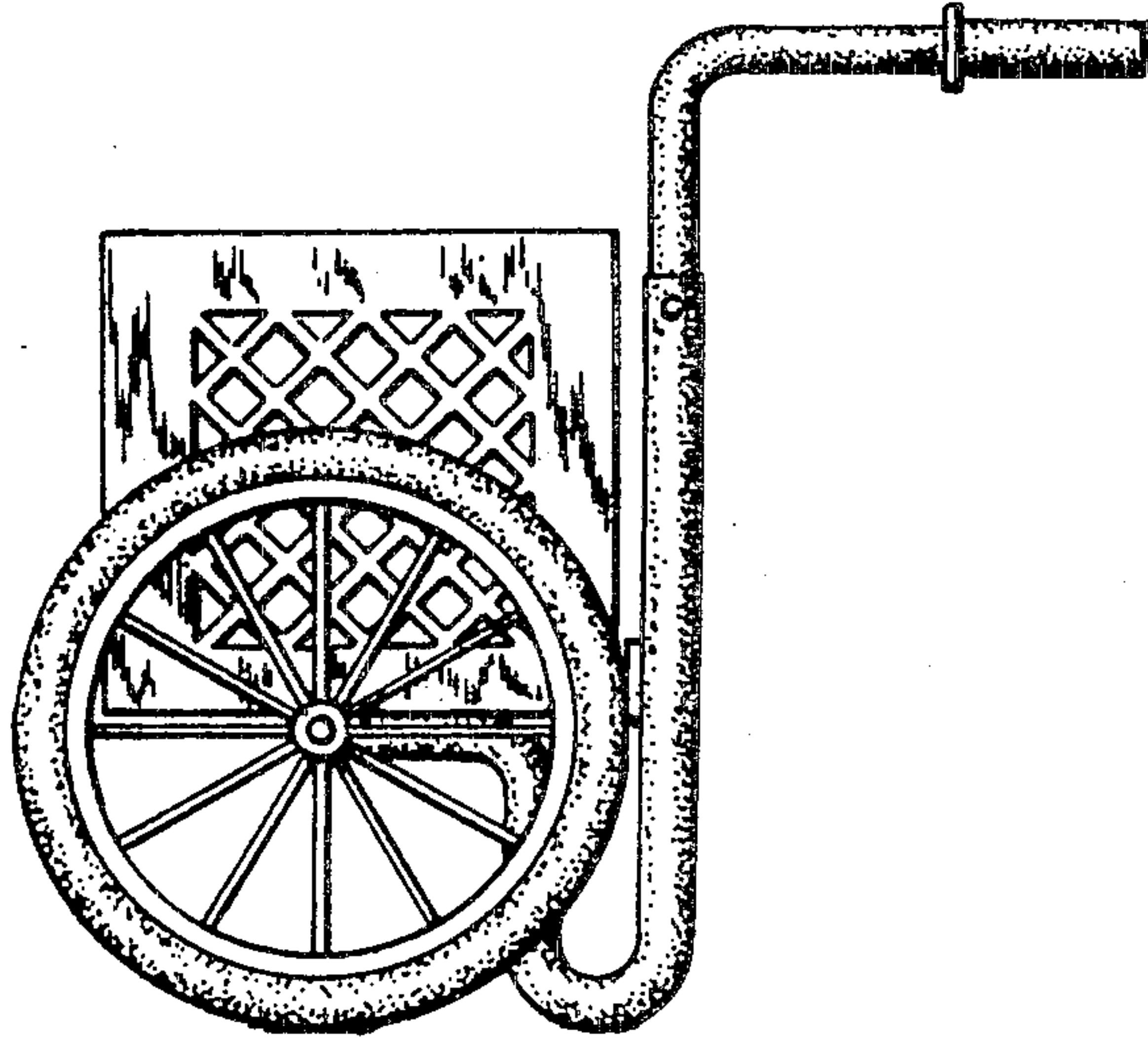


FIG. 5