

[54] FOLDABLE AND CONVERTIBLE CREEPER

[76] Inventor: Silvio C. Quinonez, 355 N. Dougherty Ave., Fort Bragg, N.C. 28307

[\*\*] Term: 14 Years

[21] Appl. No.: 555,522

[22] Filed: Nov. 28, 1983

[52] U.S. Cl. .... D34/23

[58] Field of Search ..... D34/17-26; 280/32.6, 42.34, 79.1

[56] References Cited

U.S. PATENT DOCUMENTS

3,361,437	1/1968	Loftis	280/32.6
3,984,116	10/1976	Bowers	280/32.6
4,244,594	1/1981	Hines	280/32.6

OTHER PUBLICATIONS

J. C. Whitney & Co. Cat. No. 366 F, p. 121, Mechanics Creepers & Seats.

Primary Examiner—James M. Gandy

Assistant Examiner—Kay H. Chin  
Attorney, Agent, or Firm—Bacon & Thomas

[57] CLAIM

The ornamental design for a foldable and convertible creeper, as shown and described.

DESCRIPTION

FIG. 1 is a left side elevational view of a foldable and convertible creeper showing my new design, in extended condition with the seat folded.

FIG. 2 is a right side elevational view thereof;

FIG. 3 is a front end elevational view thereof;

FIG. 4 is a rear end elevational view thereof;

FIG. 5 is a top plan view thereof;

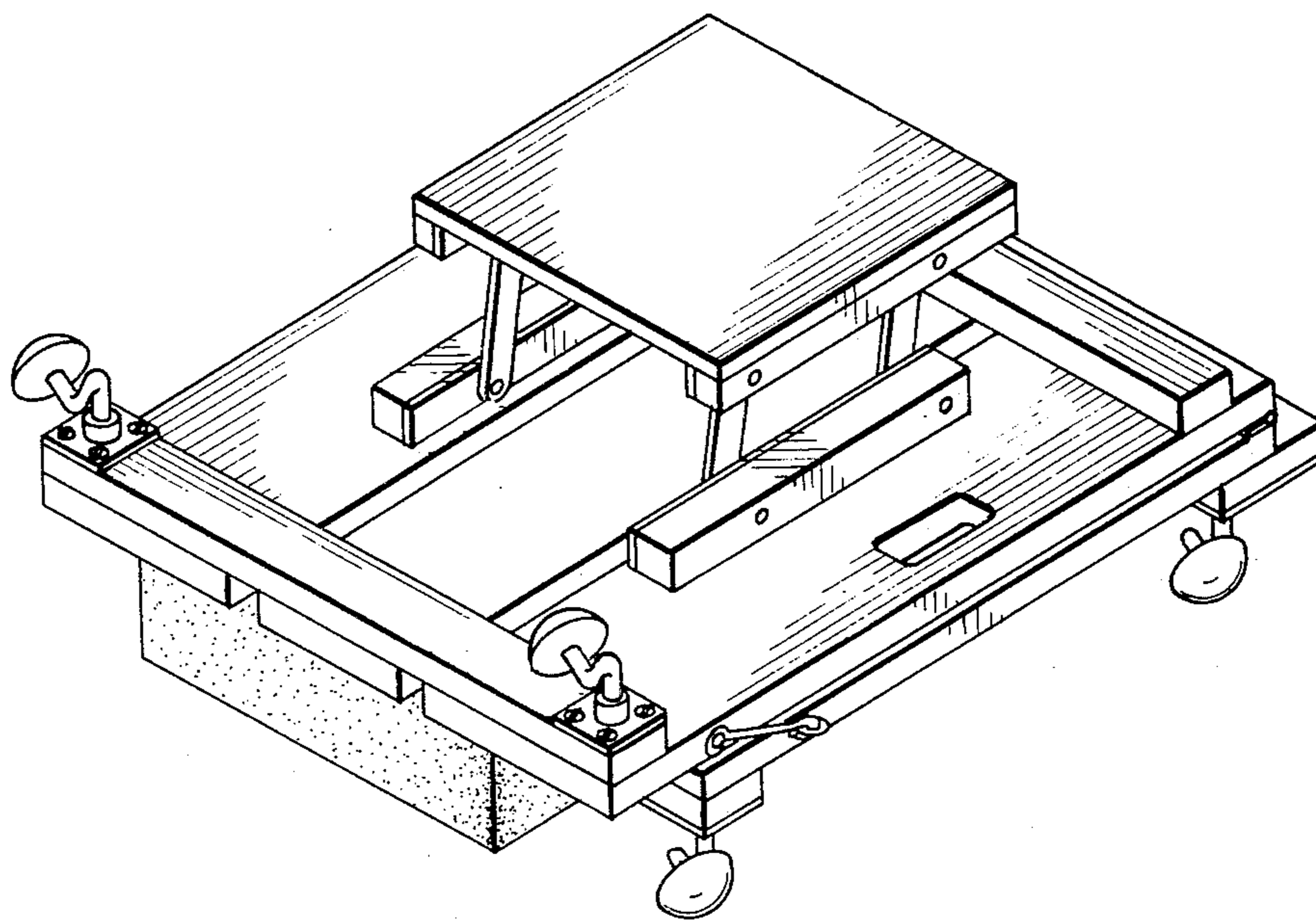
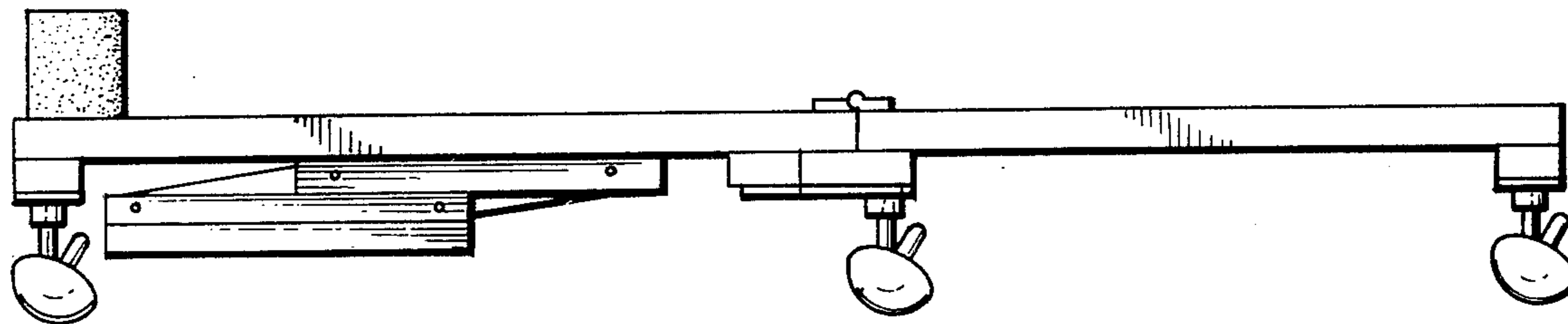
FIG. 6 is a bottom plan view thereof;

FIG. 7 is a left, front perspective view thereof, in folded condition with the seat folded;

FIG. 8 is a right, rear perspective view thereof, in folded condition with the seat folded;

FIG. 9 is a left, front perspective view thereof, in folded condition with the seat extended;

FIG. 10 is a right, rear perspective view thereof, in folded condition with the seat extended.



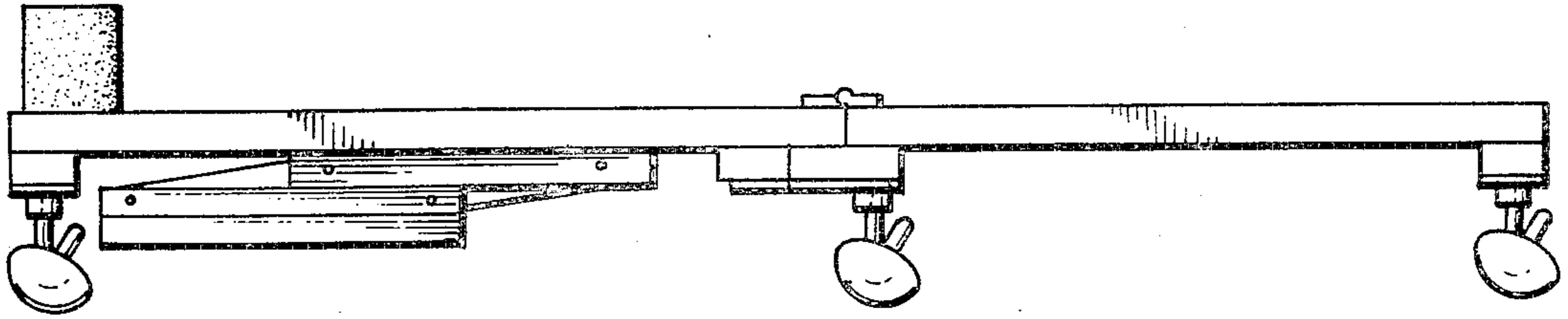


FIG 1

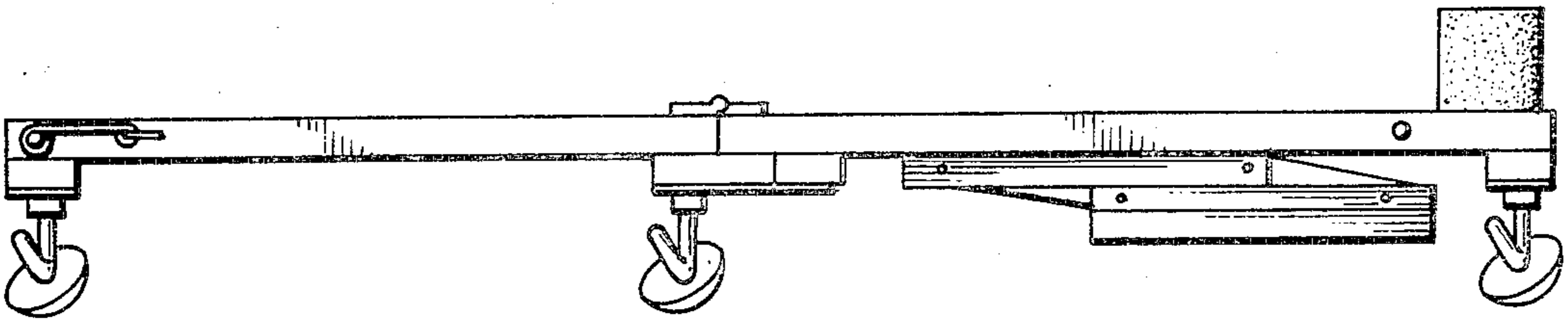


FIG 2

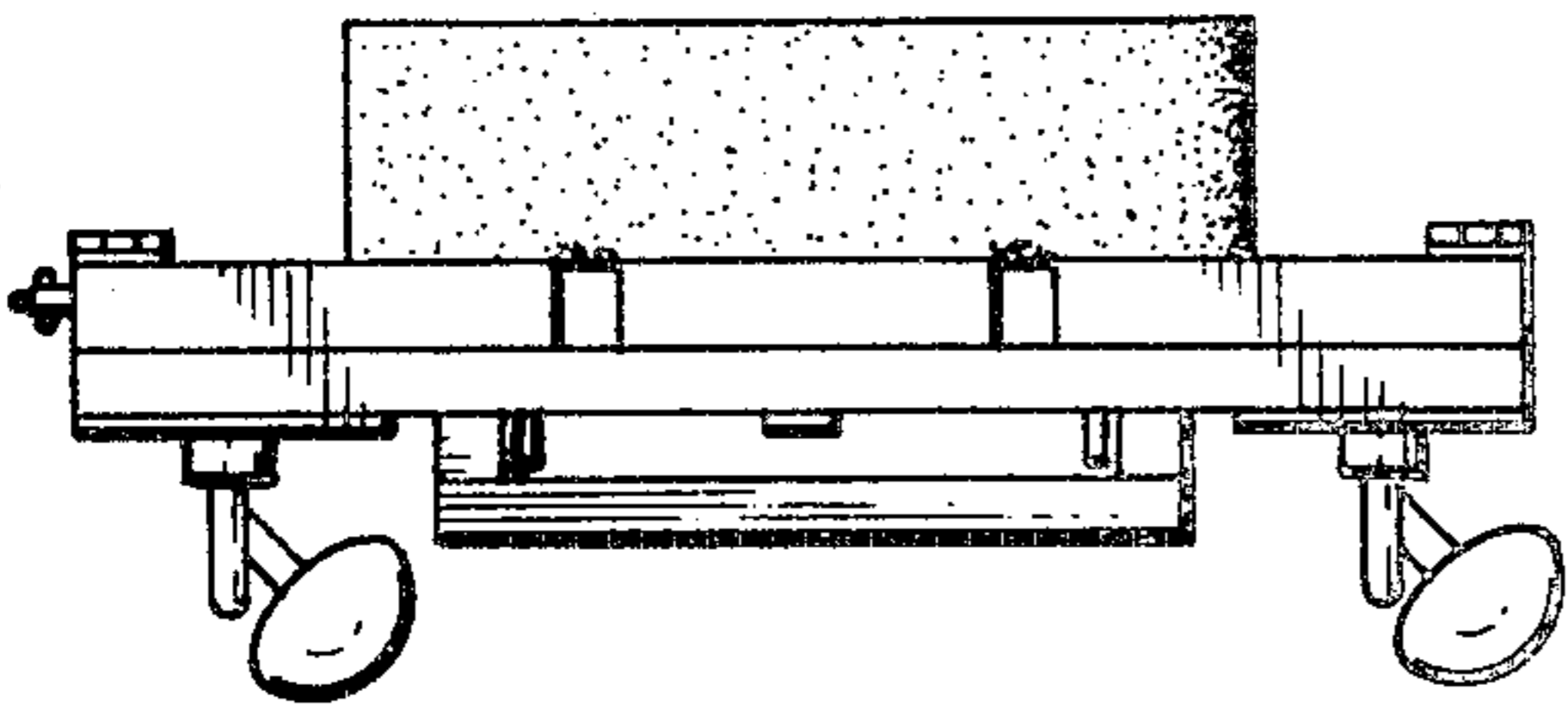


FIG 3

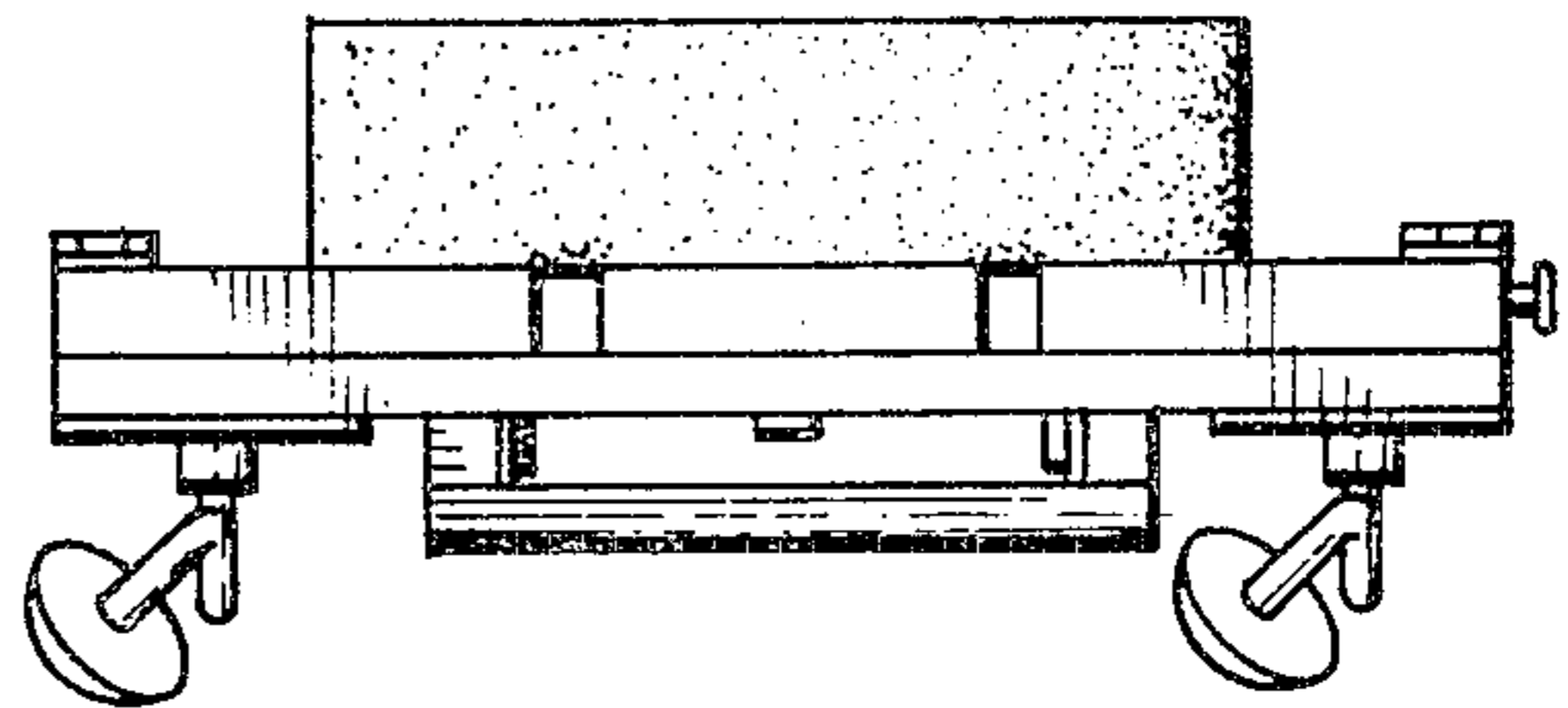
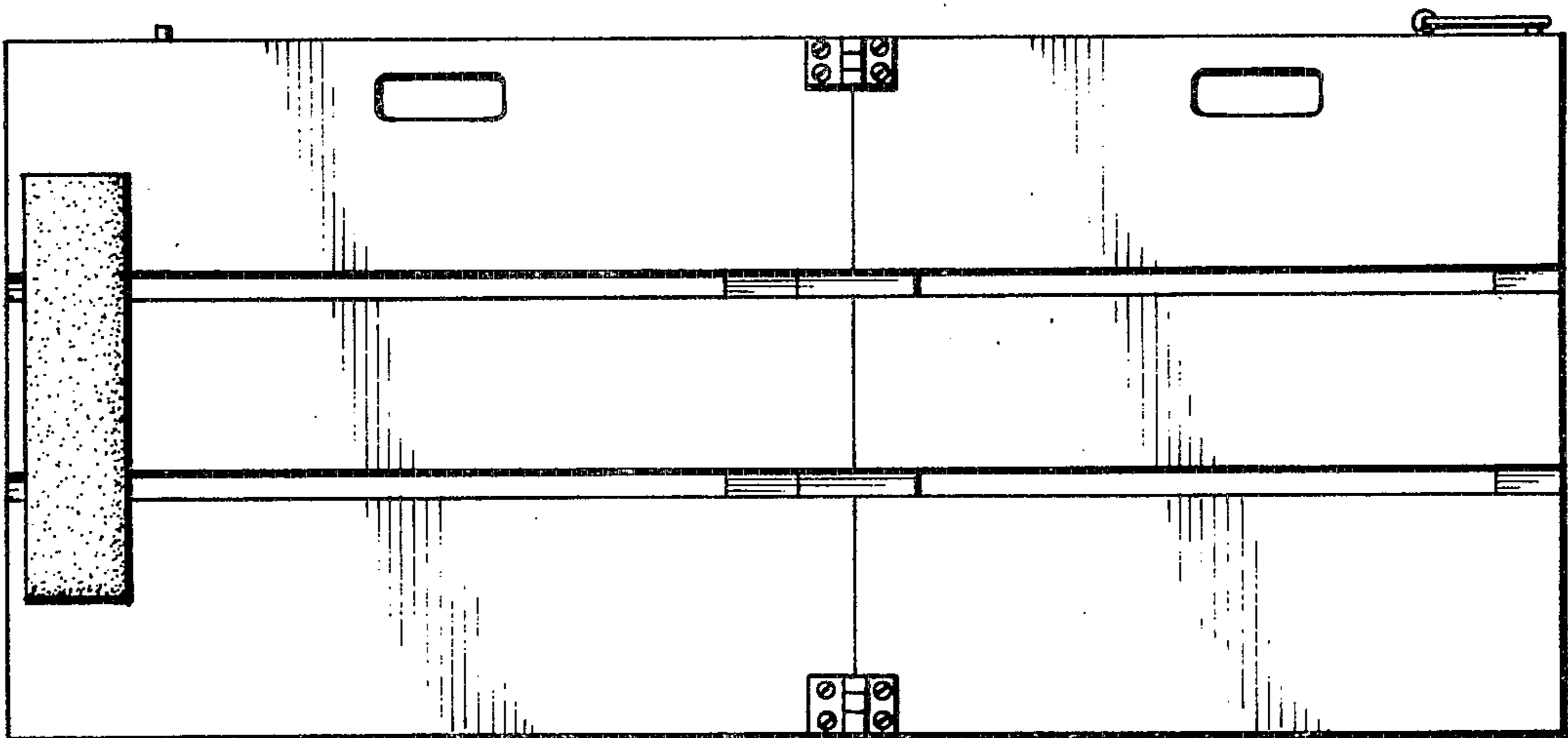


FIG 4

FIG 5



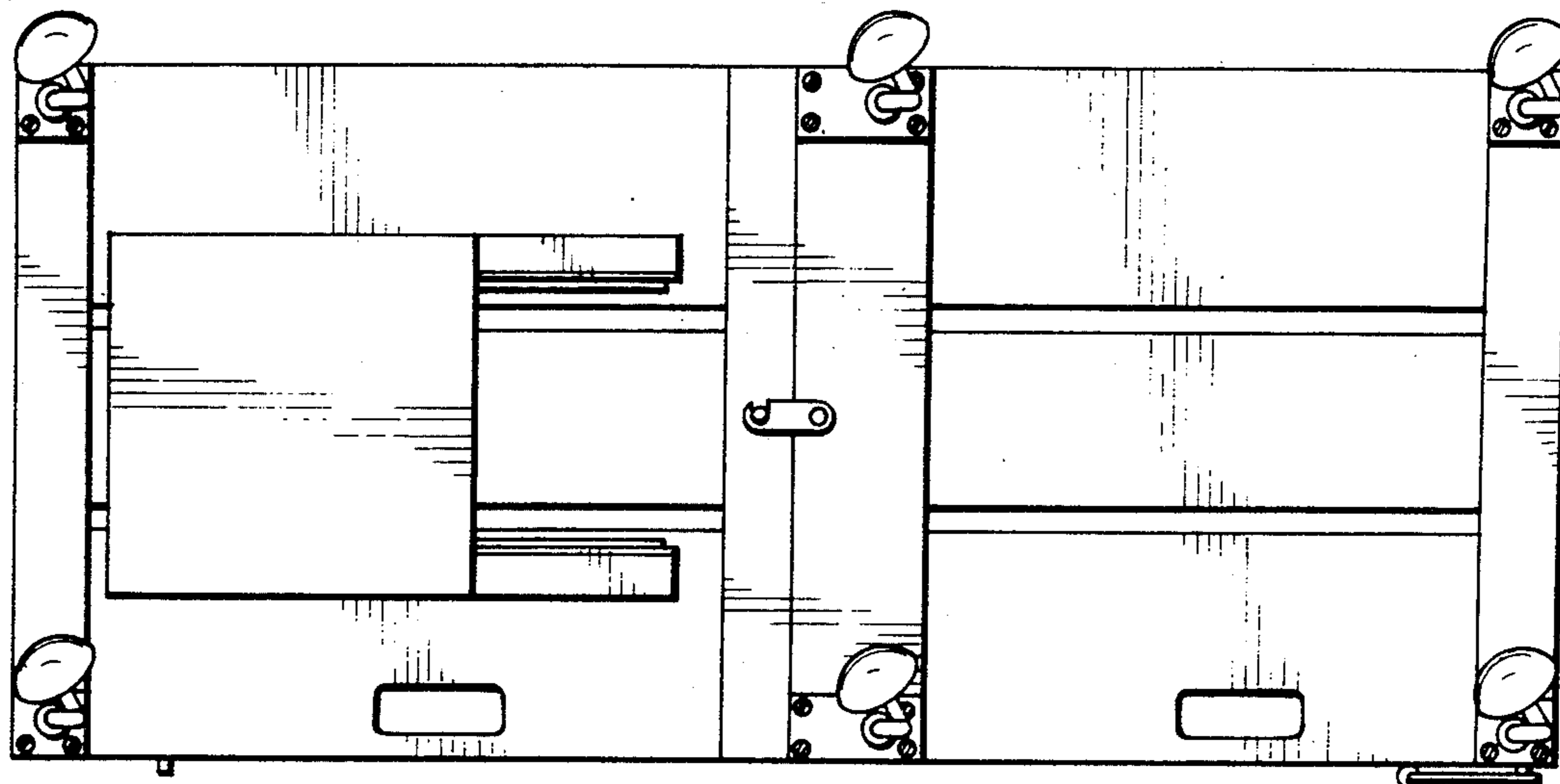


FIG 6

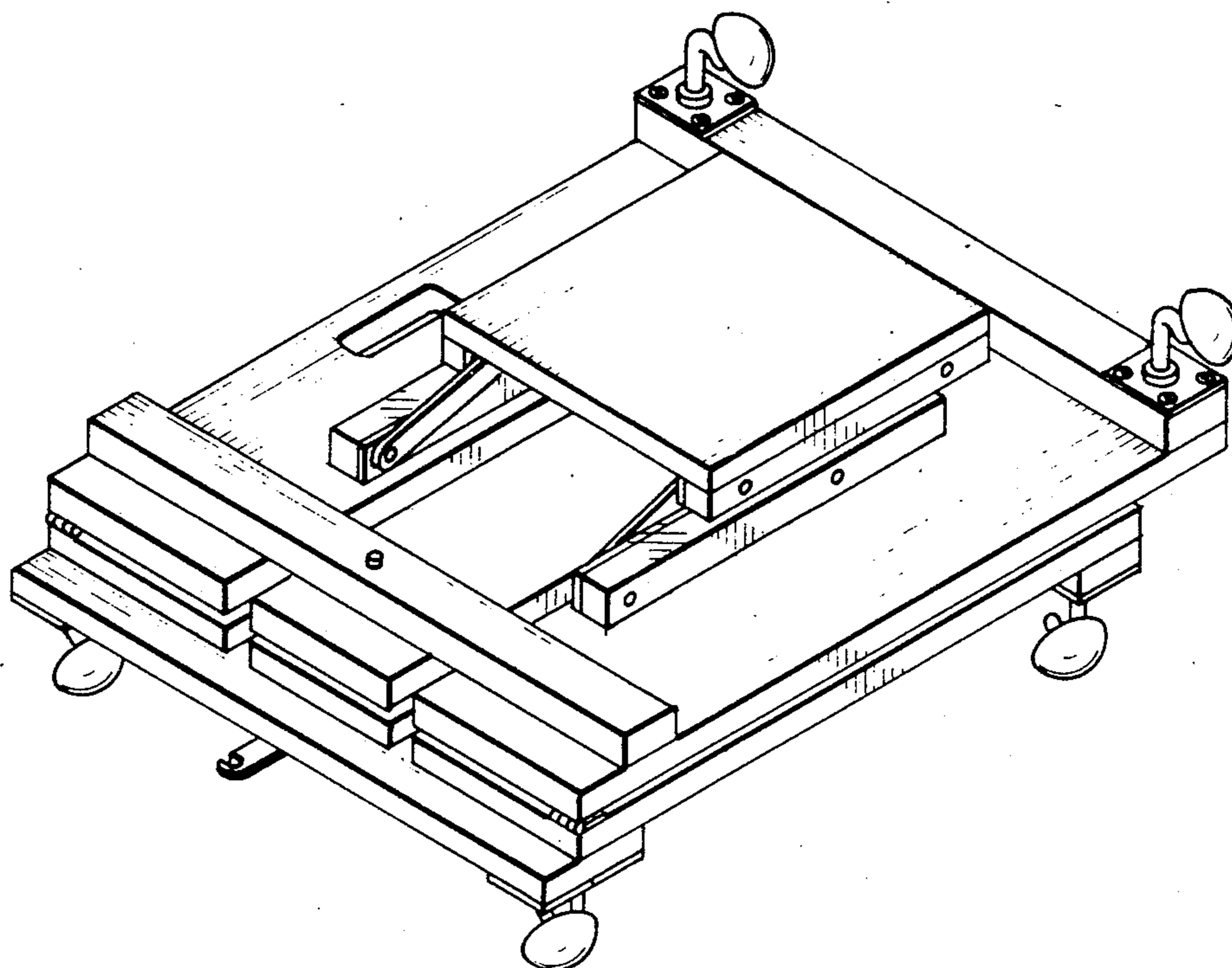


FIG 7



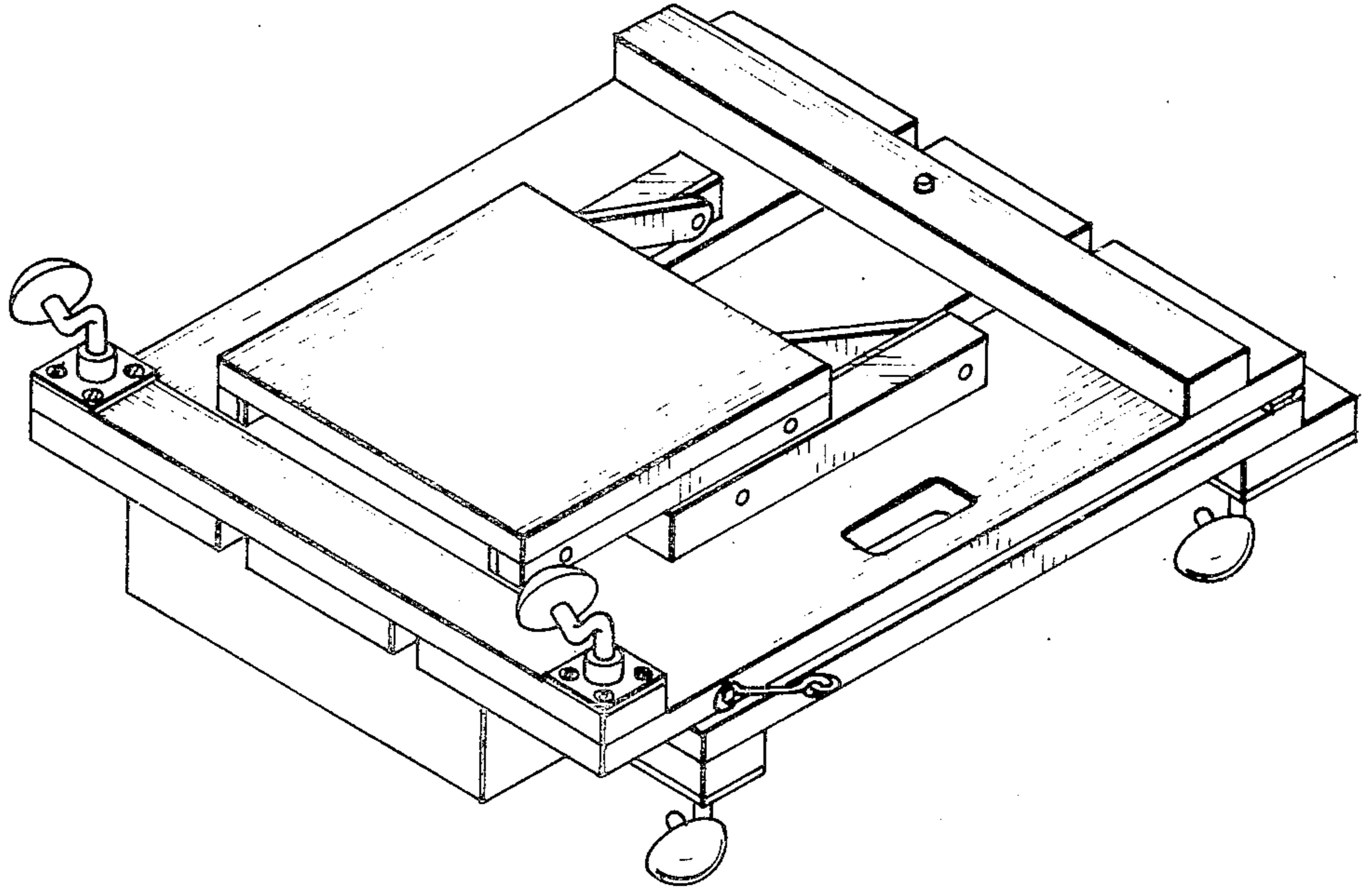
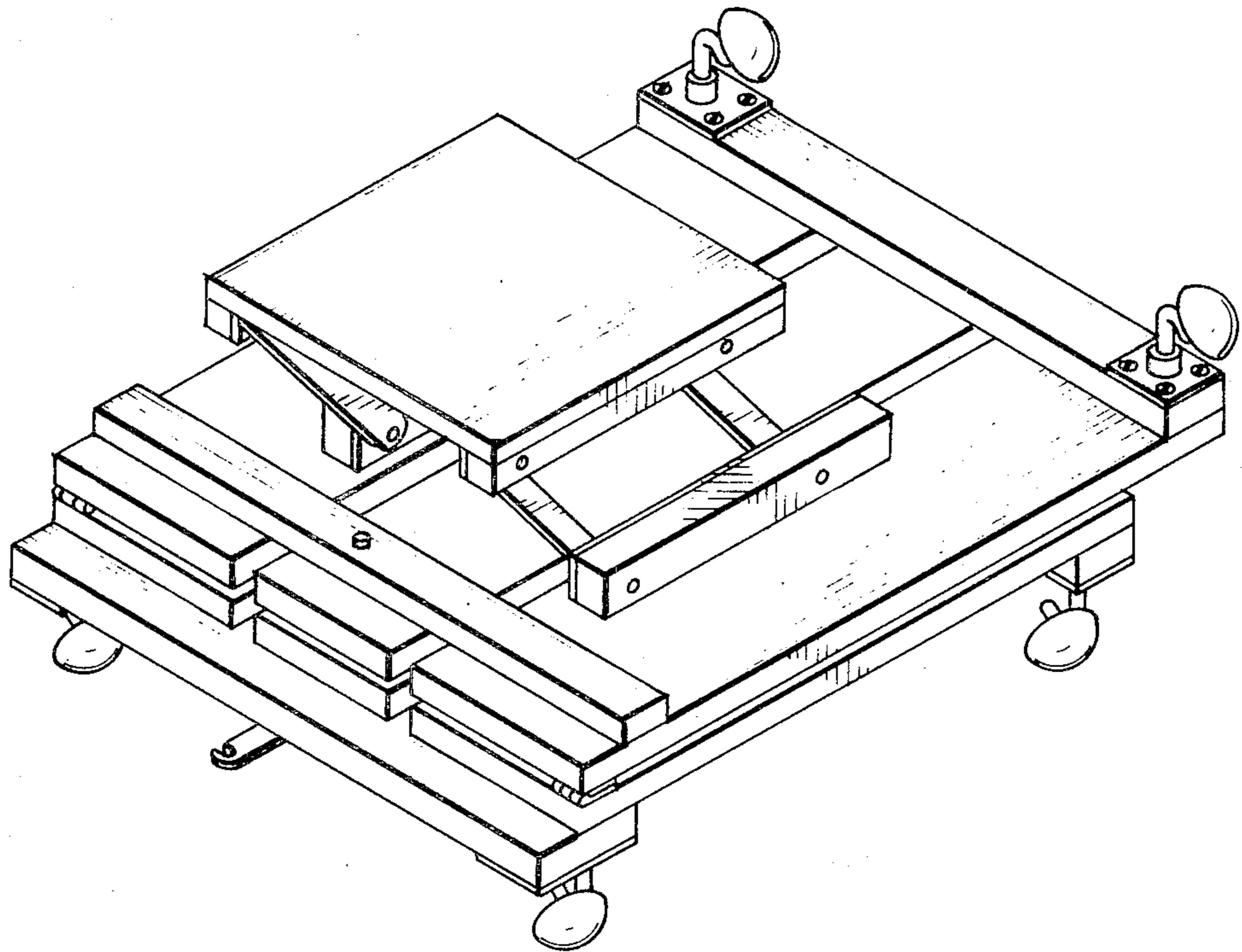


FIG 8

FIG 9



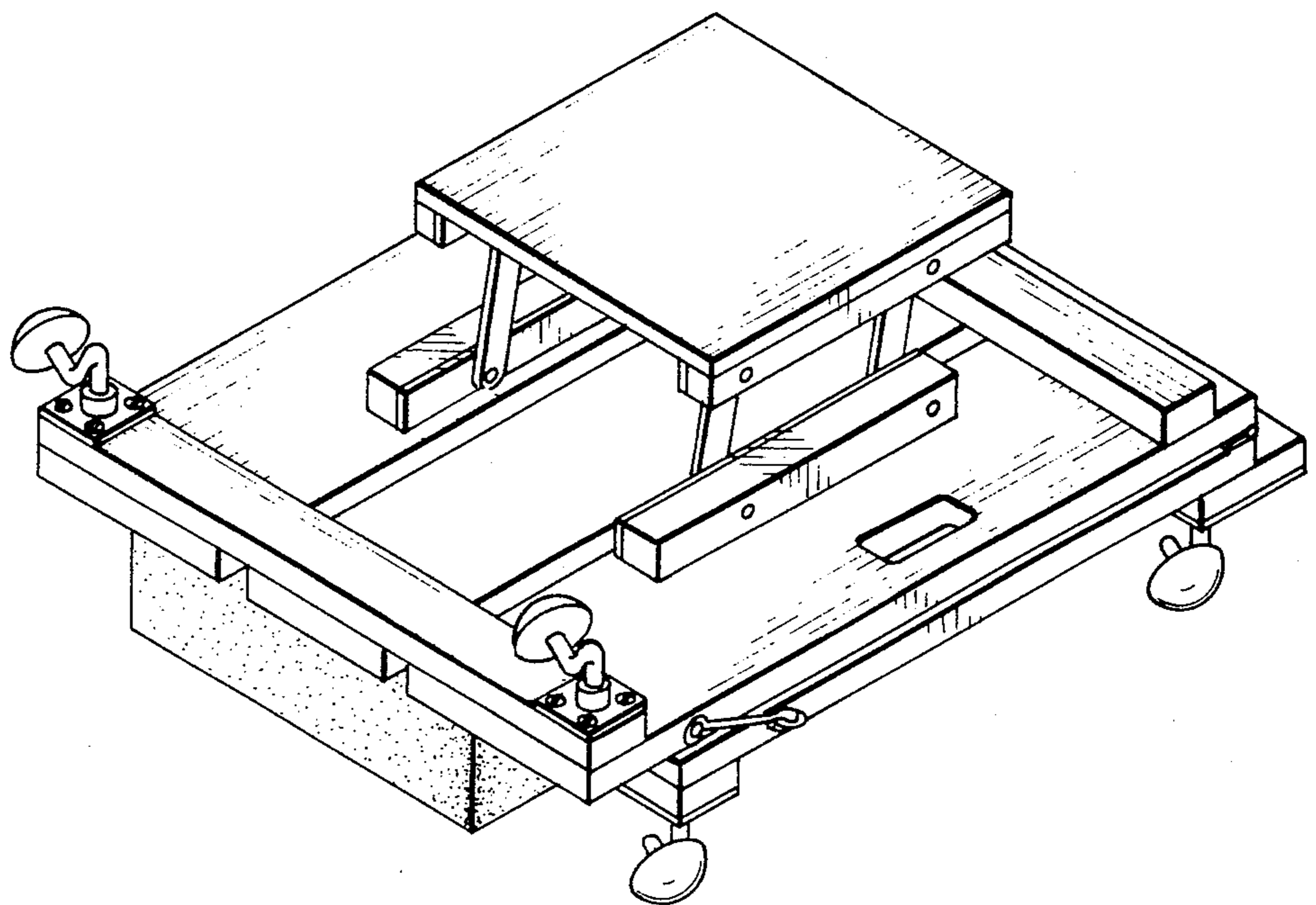


FIG 10