

[54] SPRAY DRYER

[75] Inventor: Tetsuo Sakamoto, Tokyo, Japan

[73] Assignee: Sakamoto Engineering Co., Ltd., Tokyo, Japan

[**] Term: 14 Years

[21] Appl. No.: 683,465

[22] Filed: Dec. 19, 1984

[30] Foreign Application Priority Data

Jun. 21, 1984 [JP] Japan 59-25758

[52] U.S. Cl. D32/1

[58] Field of Search D32/1, 5, 6, 8, 15-16, D32/25-26, 29, 35, 45; 134/102, 104-105, 117, 169 A, 184, 198, 200; 159/3, 4.01-4.4, 45; 34/43; 426/471

[56] References Cited

U.S. PATENT DOCUMENTS

D. 249,043	8/1978	McMullen	D32/1
2,815,071	12/1957	Henszey et al.	159/4.07
3,129,131	4/1964	Henszey	159/4.02

Primary Examiner—Wallace R. Burke
Assistant Examiner—Ruth E. Takemoto
Attorney, Agent, or Firm—Watson, Cole, Grindle & Watson

[57] CLAIM

The ornamental design for a spray dryer, as shown and described.

DESCRIPTION

FIG. 1 is a front perspective view of a spray dryer showing my new design, FIG. 2 is a rear perspective view thereof, and FIG. 3 is a left side elevation thereof.

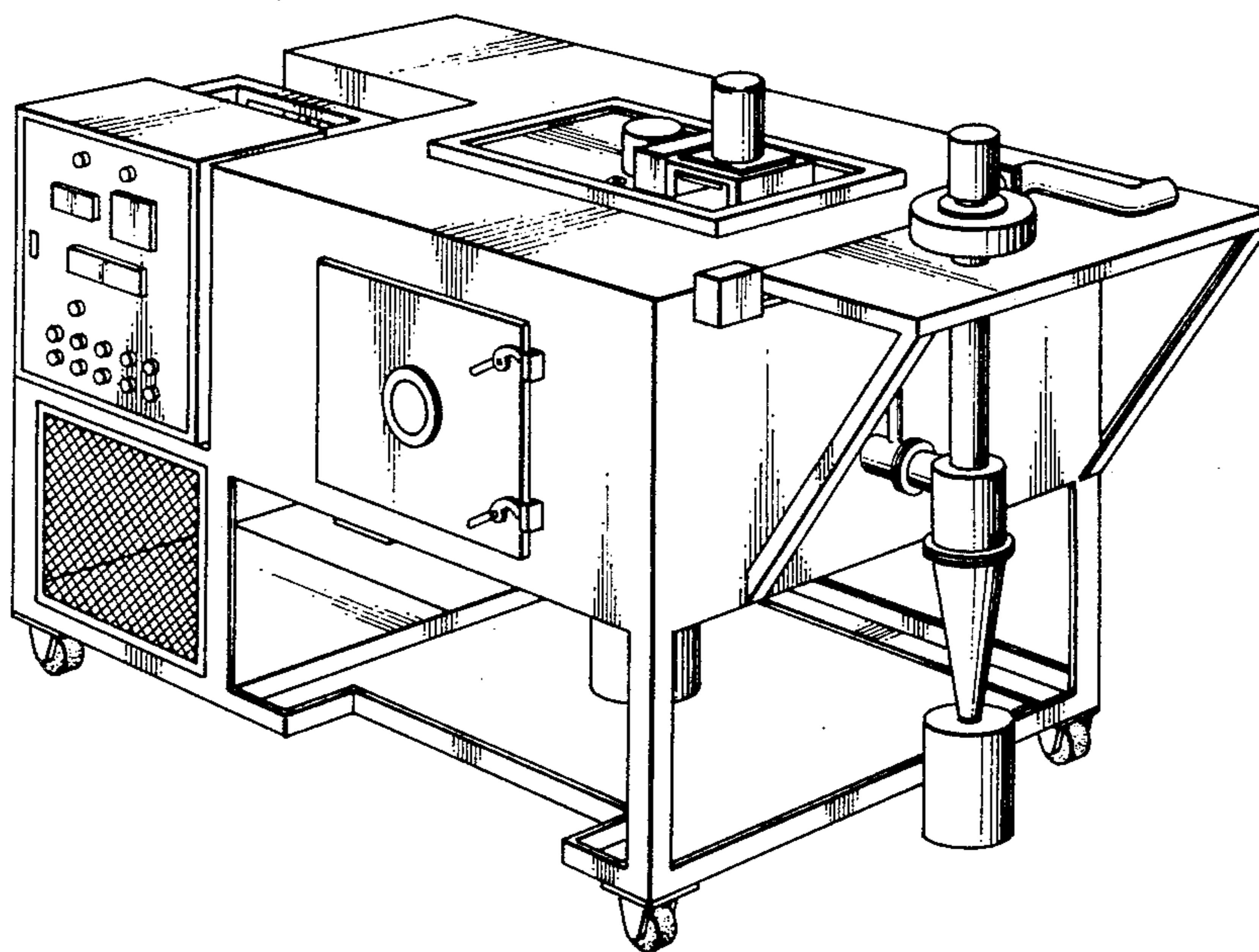


FIG. 1

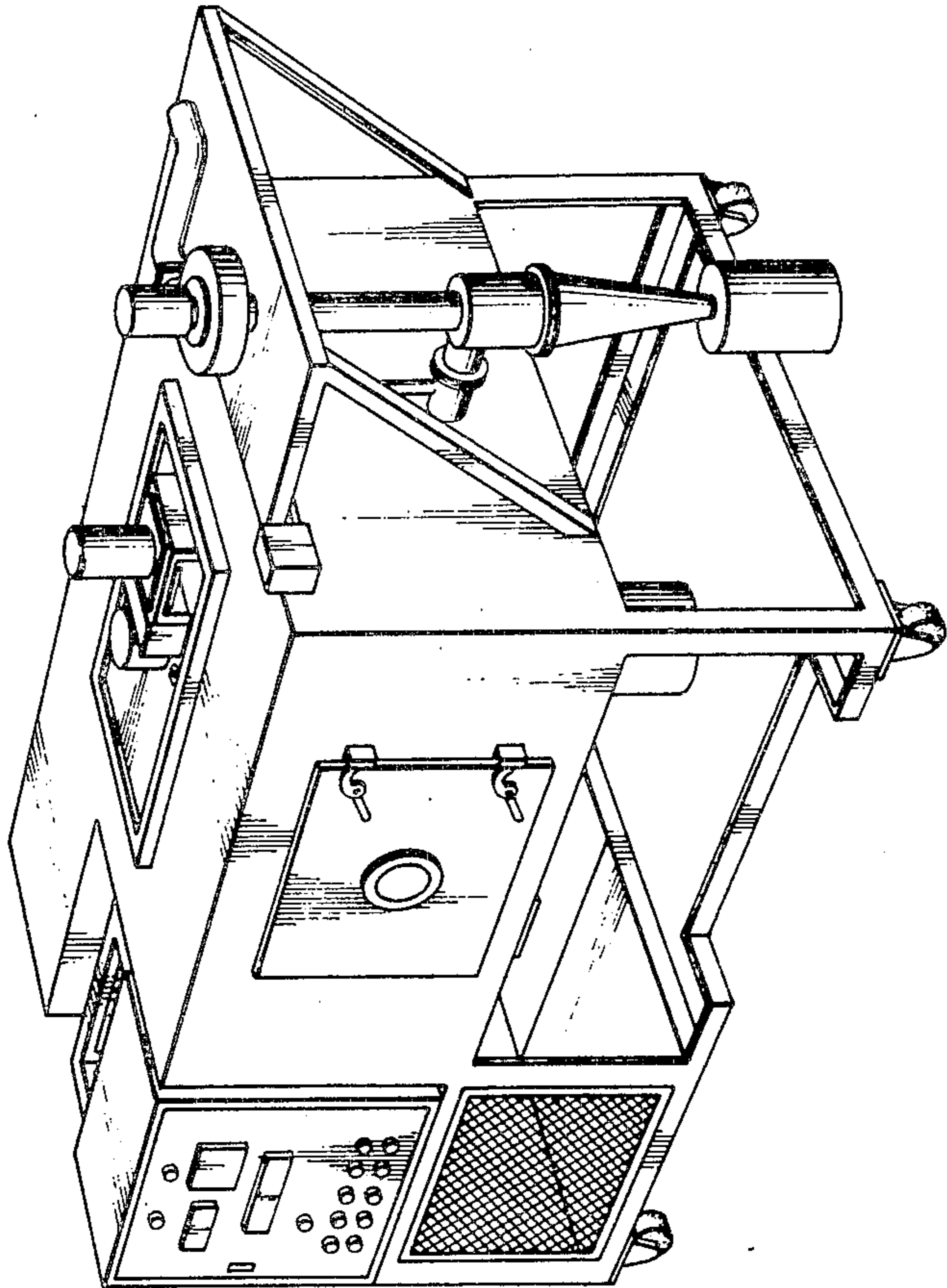


FIG. 2

