

[54] AUTOMATIC PET WATERER

4,192,256 3/1980 Clugston ..... 119/51.5

[75] Inventor: Robert P. Gardner, Tulsa, Okla.

Primary Examiner—Wallace R. Burke

[73] Assignee: Lot-A-Wata, Inc., Oklahoma City, Okla.

Assistant Examiner—Brian N. Vinson

Attorney, Agent, or Firm—Laney, Dougherty, Hessin & Beavers

[\*\*] Term: 14 Years

[57] CLAIM

[21] Appl. No.: 574,674

The ornamental design for an automatic pet waterer, or the like, as shown and described.

[22] Filed: Jan. 27, 1984

[52] U.S. Cl. .... D30/13

DESCRIPTION

[58] Field of Search ..... D30/13-18;  
119/51 R, 51.5, 51.13, 52 R, 52 AF, 54, 72,  
72.5, 75, 78

FIG. 1 is a front elevational view of an automatic pet waterer showing my new design;

FIG. 2 is a rear elevational view thereof;

FIG. 3 is a top plan view thereof;

FIG. 4 is a bottom plan view thereof;

FIG. 5 is a left side elevational view thereof;

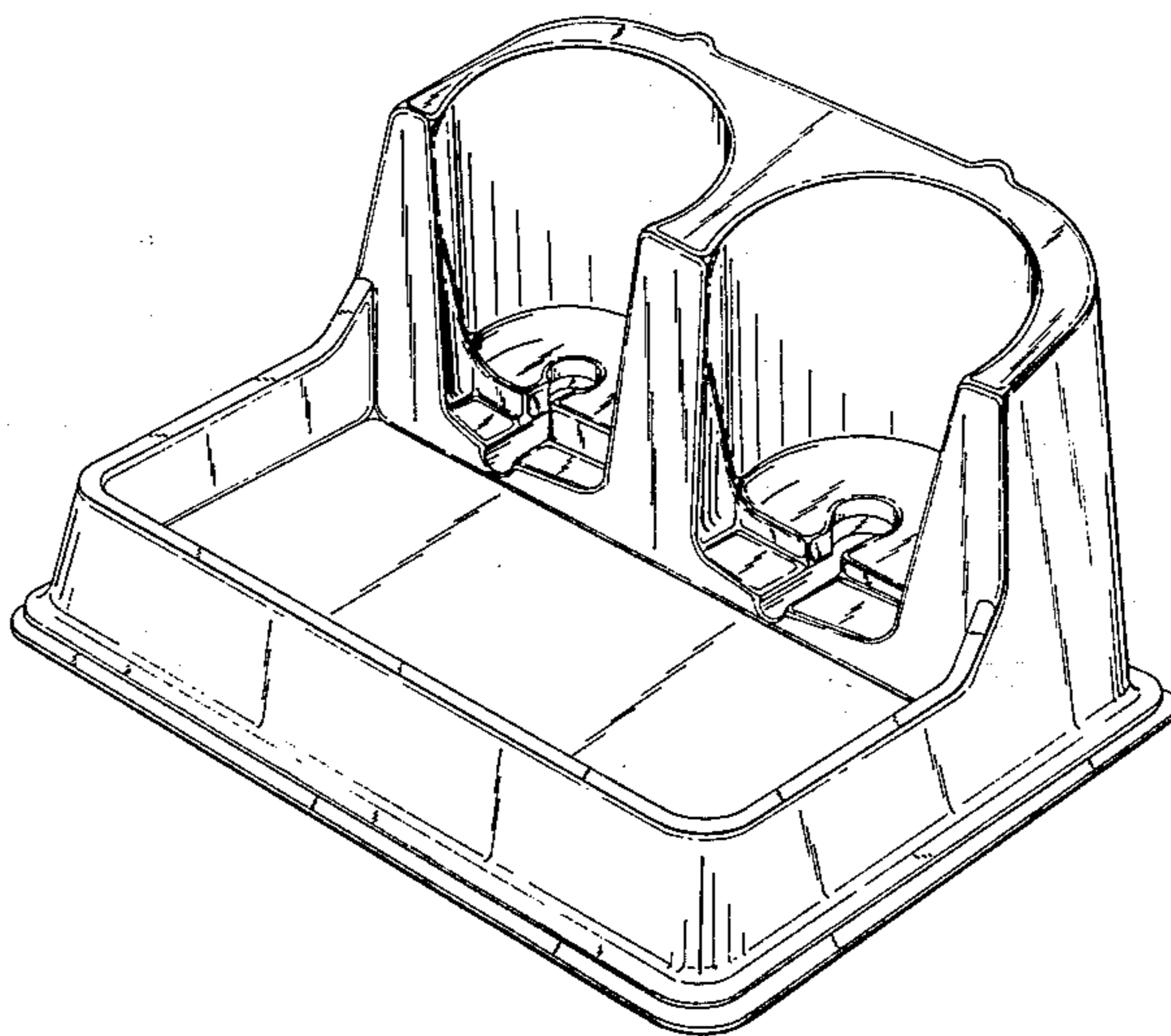
FIG. 6 is a right side elevational view thereof; and

FIG. 7 is a top front perspective view thereof.

[56] References Cited

U.S. PATENT DOCUMENTS

- D. 257,692 12/1980 Thayer ..... D30/13
- D. 278,371 4/1985 Strickland ..... D30/13



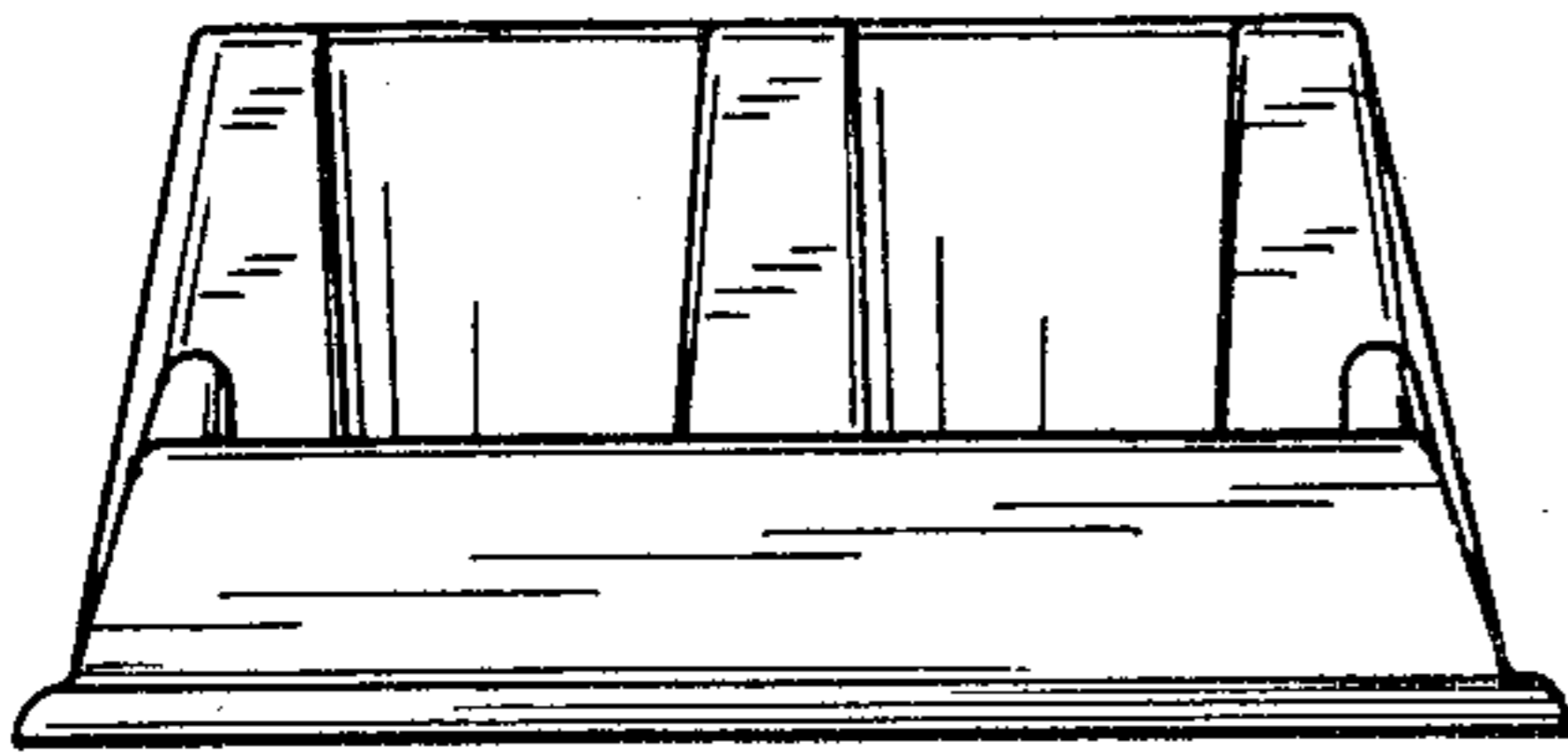


FIG. 1

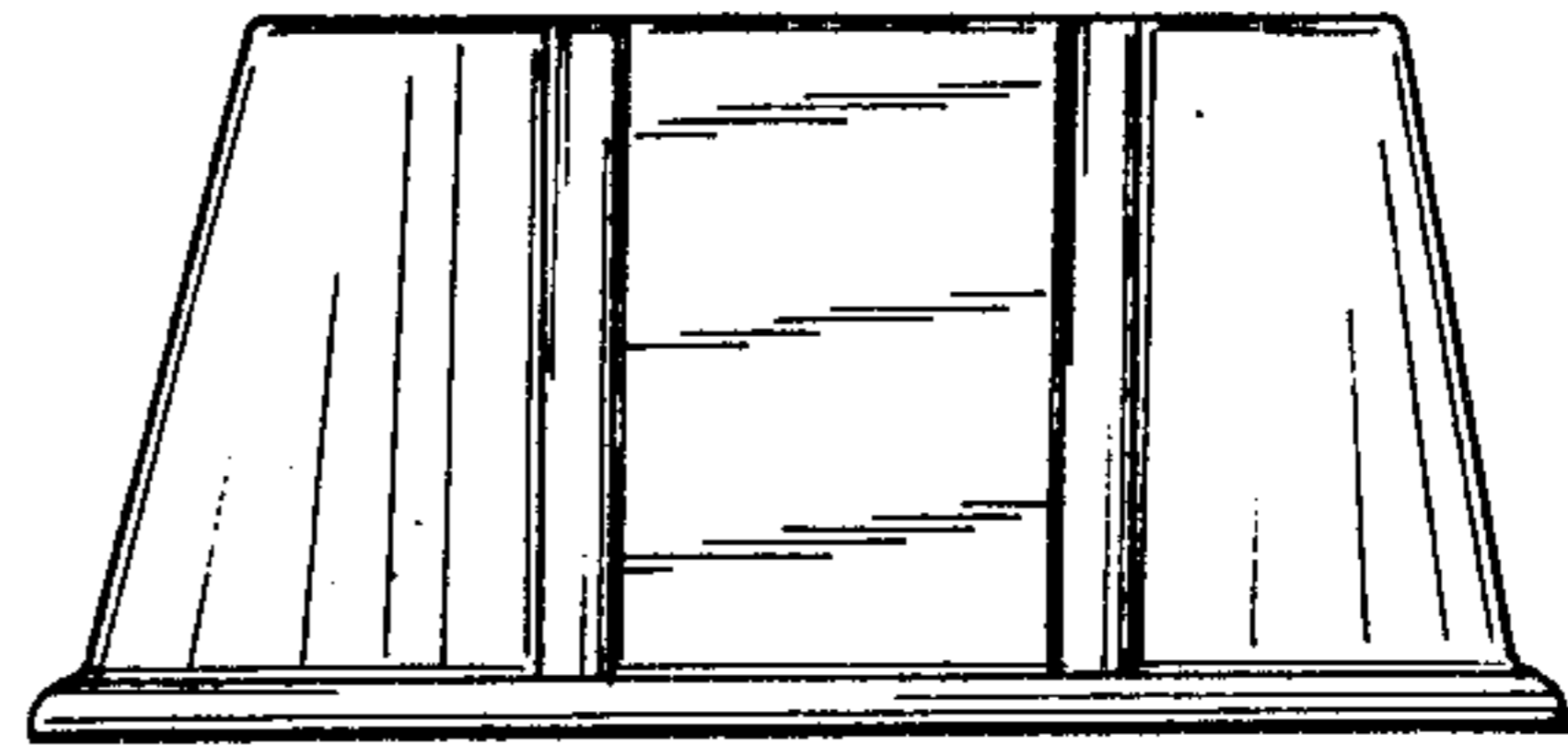


FIG. 2

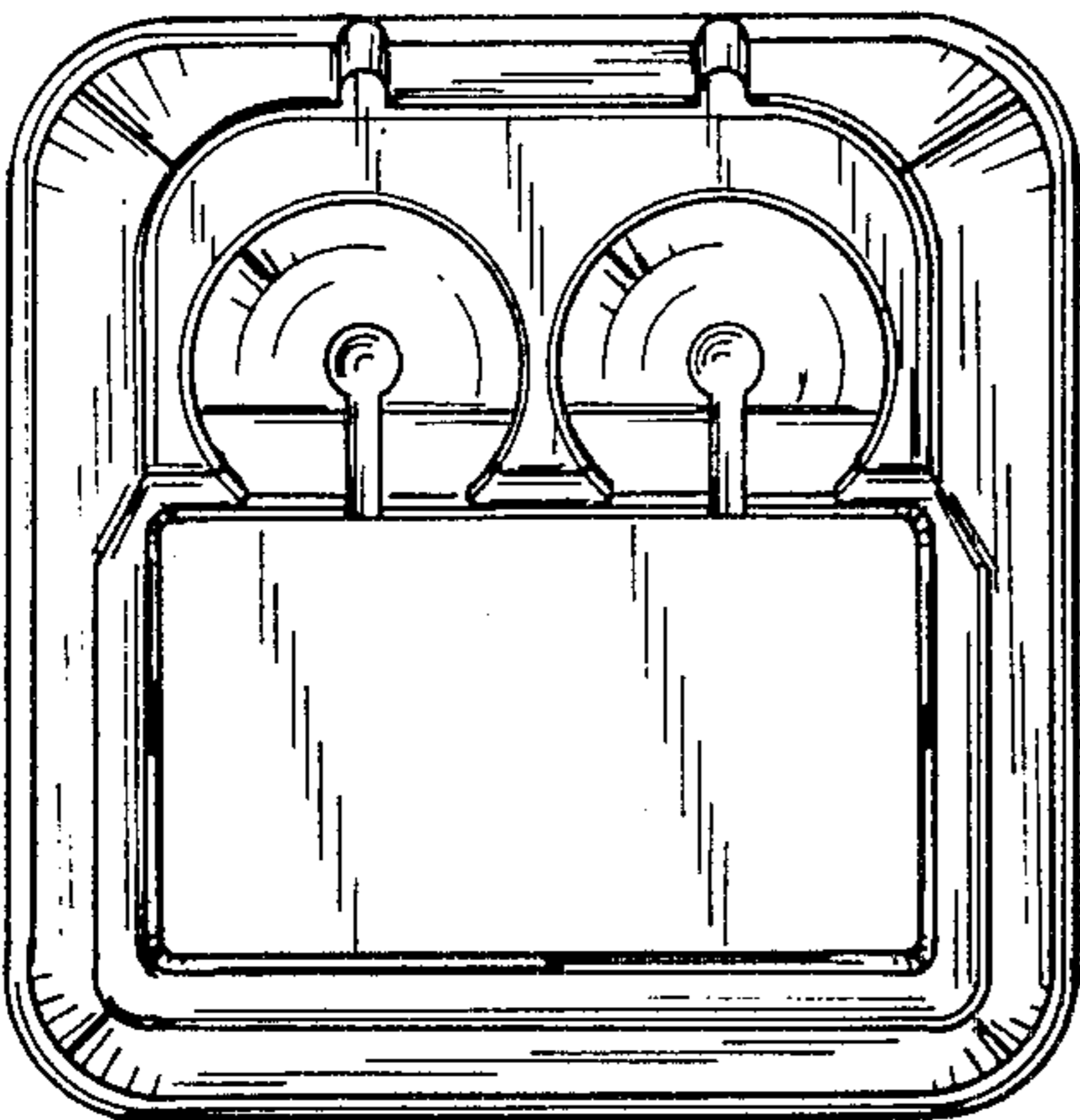


FIG. 3

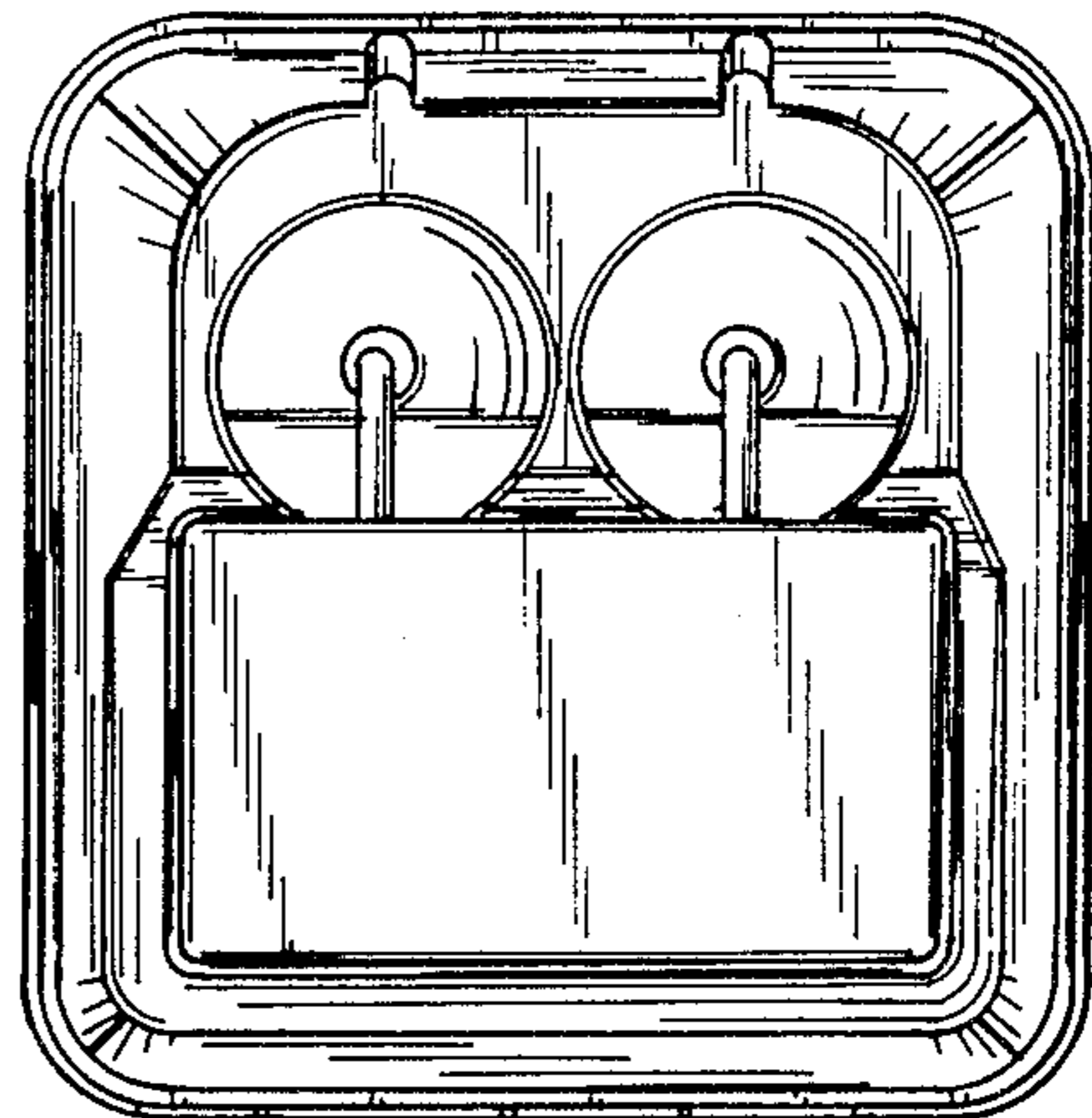


FIG. 4

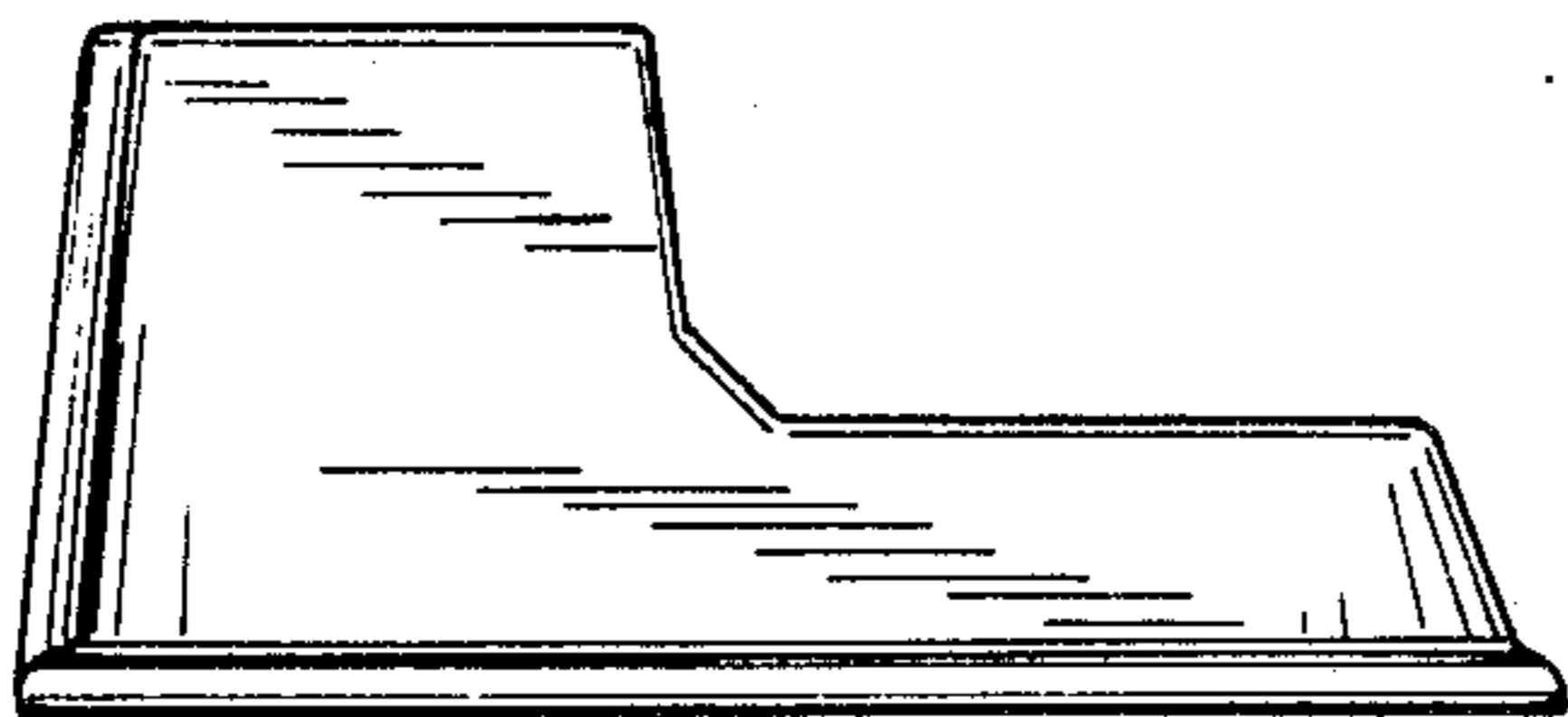


FIG. 5

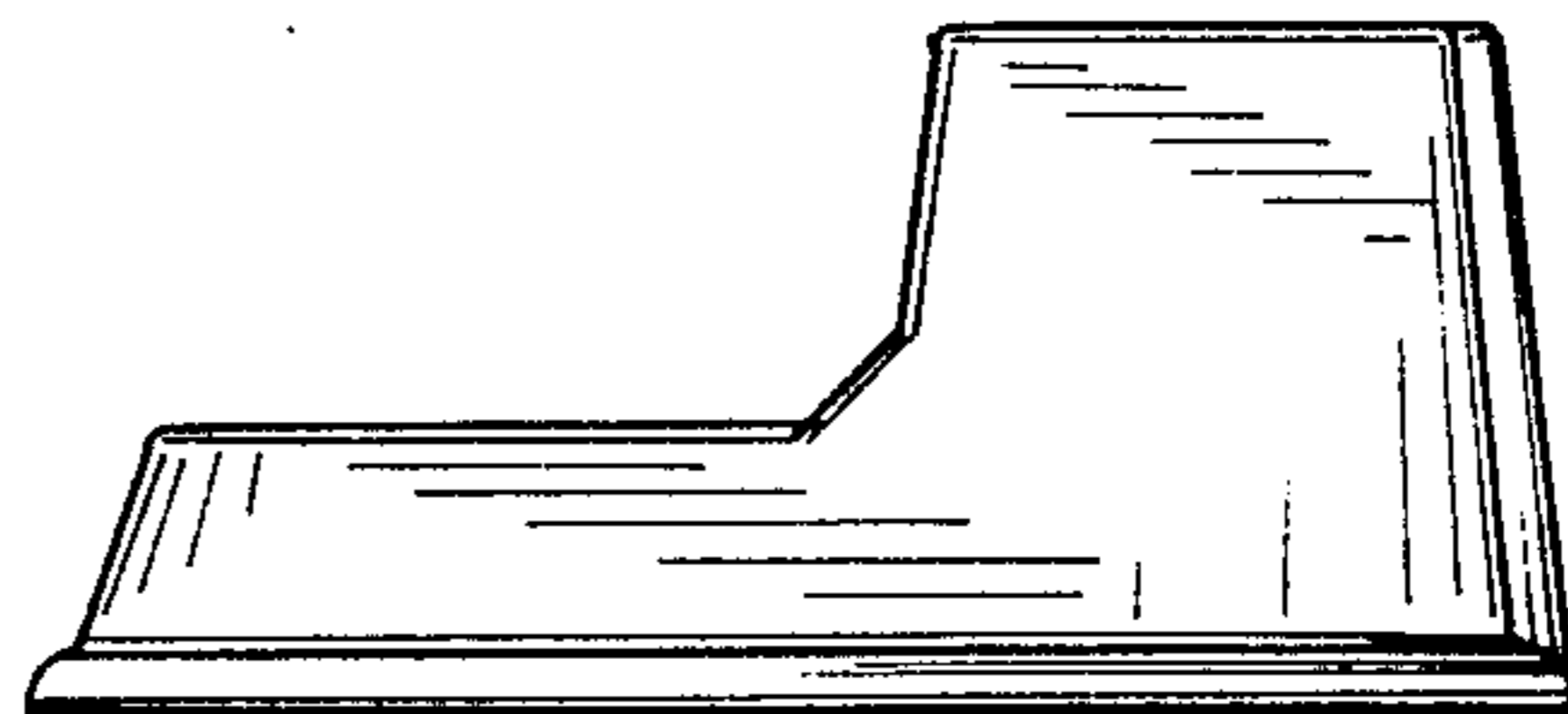


FIG. 6

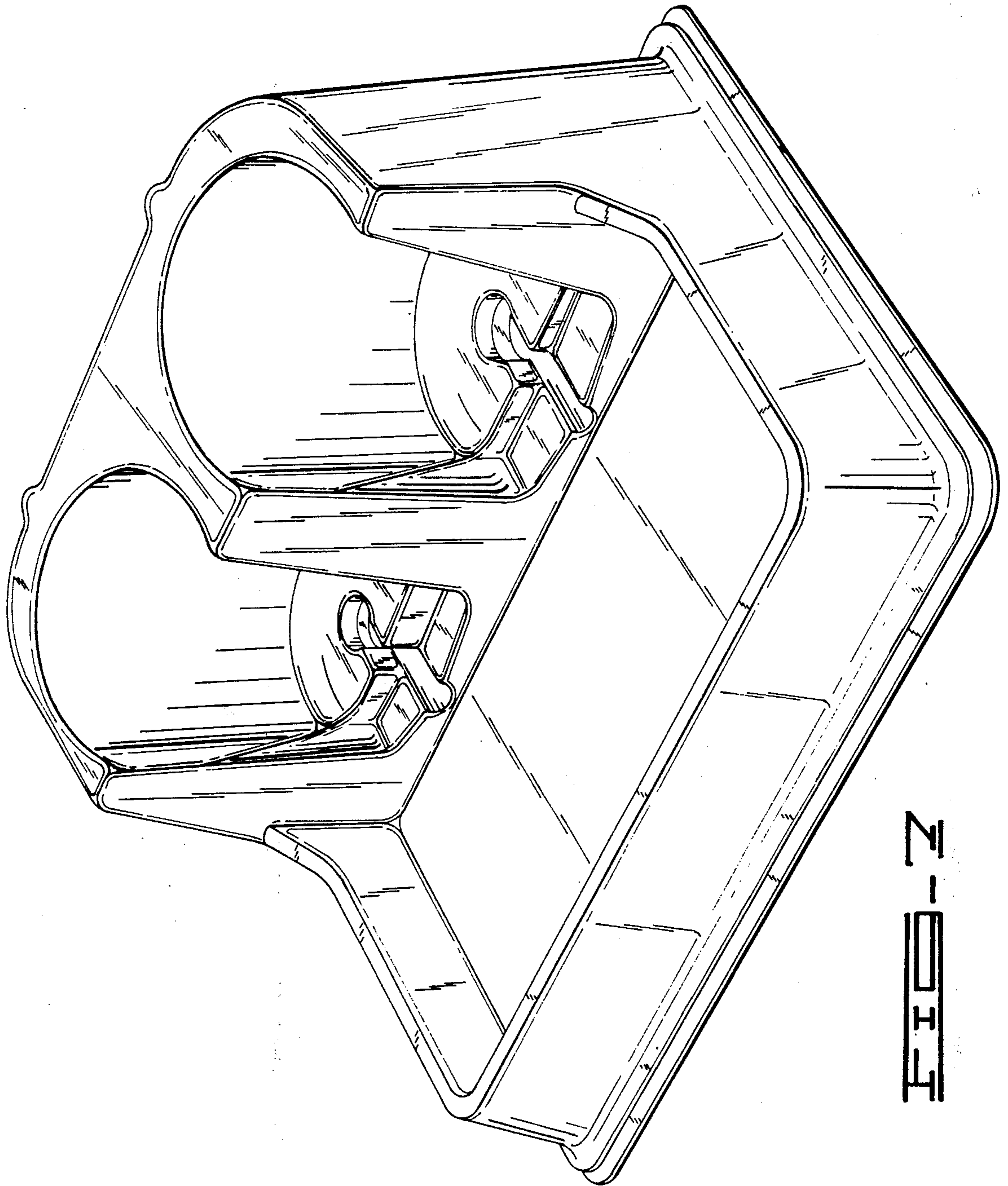


FIG-2