

[54] **CIGARETTE LIGHTER**

[75] Inventor: **Yoshio Hirota**, Tokyo, Japan

[73] Assignee: **Kabushiki Kaisha Hirota**, Tokyo, Japan

[**] Term: **14 Years**

[21] Appl. No.: **753,010**

[22] Filed: **Jul. 9, 1985**

[30] **Foreign Application Priority Data**

Feb. 22, 1985 [JP] Japan 60-6336
[52] U.S. Cl. **D27/40; D27/41**
[58] Field of Search **D27/36-42;**
D21/158; 431/124-144, 154, 156, 253-256,
274, 343

[56] **References Cited**

U.S. PATENT DOCUMENTS

D. 19,269 8/1889 Bidwell D21/158 X
D. 45,407 3/1914 Aronson D27/40
D. 138,098 6/1944 Negbaur D27/40
D. 230,748 3/1974 Matteson D21/158 X

Primary Examiner—Catherine E. Kemper
Attorney, Agent, or Firm—Armstrong, Nikaido,
Marmelstein & Kubovcik

[57] **CLAIM**

The ornamental design for a cigarette lighter, as shown and described.

DESCRIPTION

FIG. 1 is a perspective view of a cigarette lighter showing my new design;
FIG. 2 is a front elevational view thereof;
FIG. 3 is a right side elevational view thereof;
FIG. 4 is a left side elevational view thereof;
FIG. 5 is a top plan view thereof; and
FIG. 6 is a bottom plan view thereof.

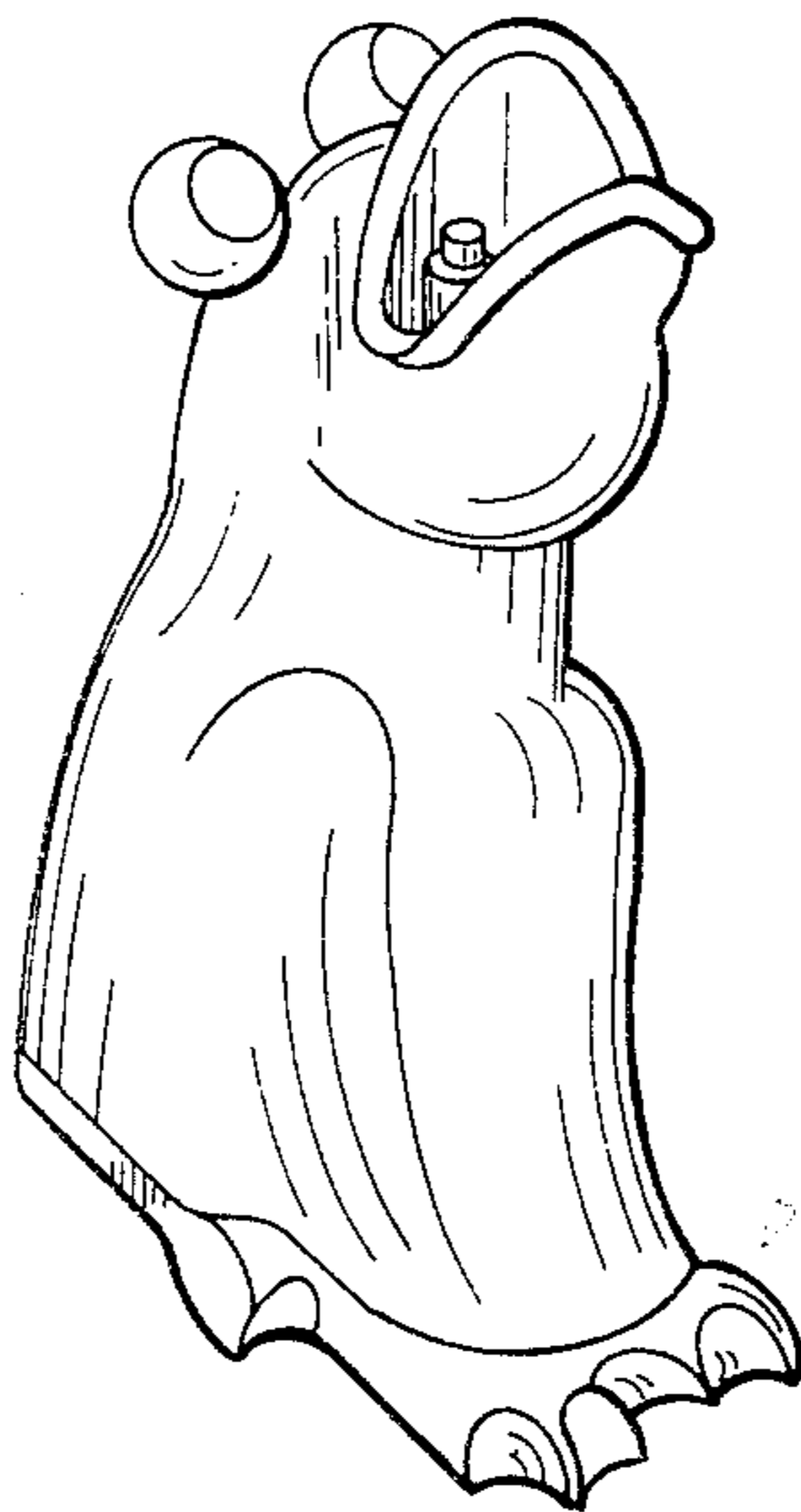


FIG.1

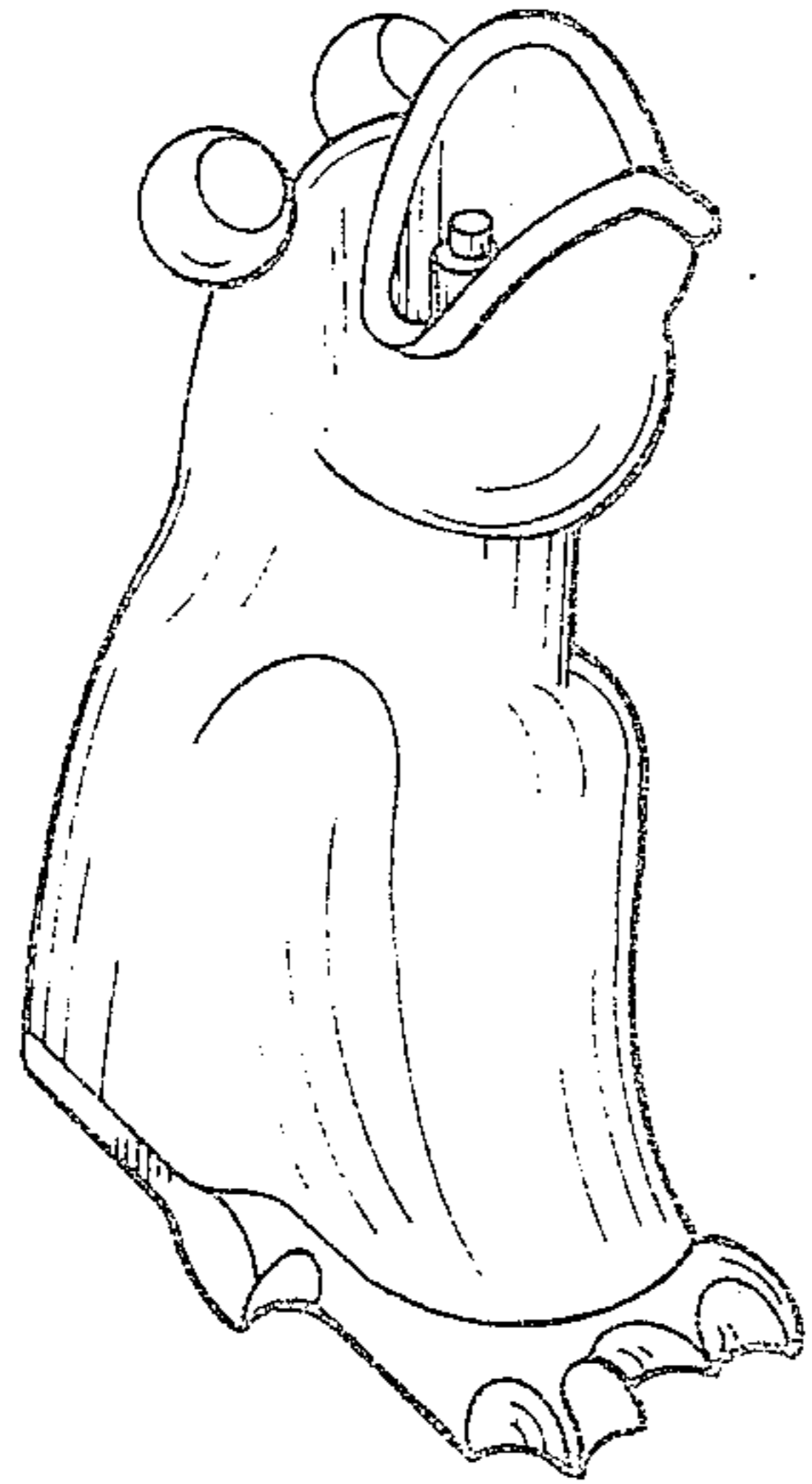


FIG.2

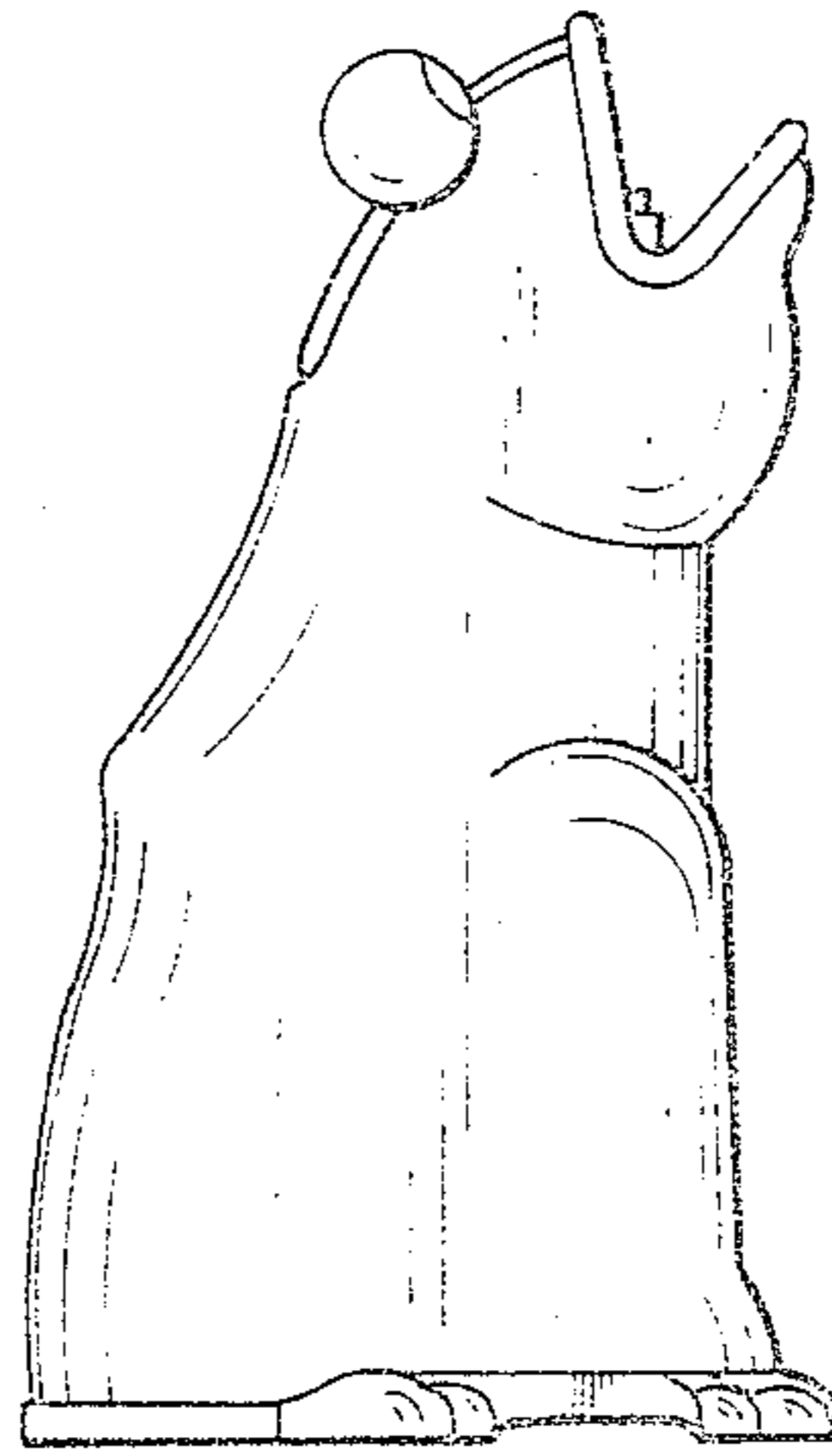


FIG.3

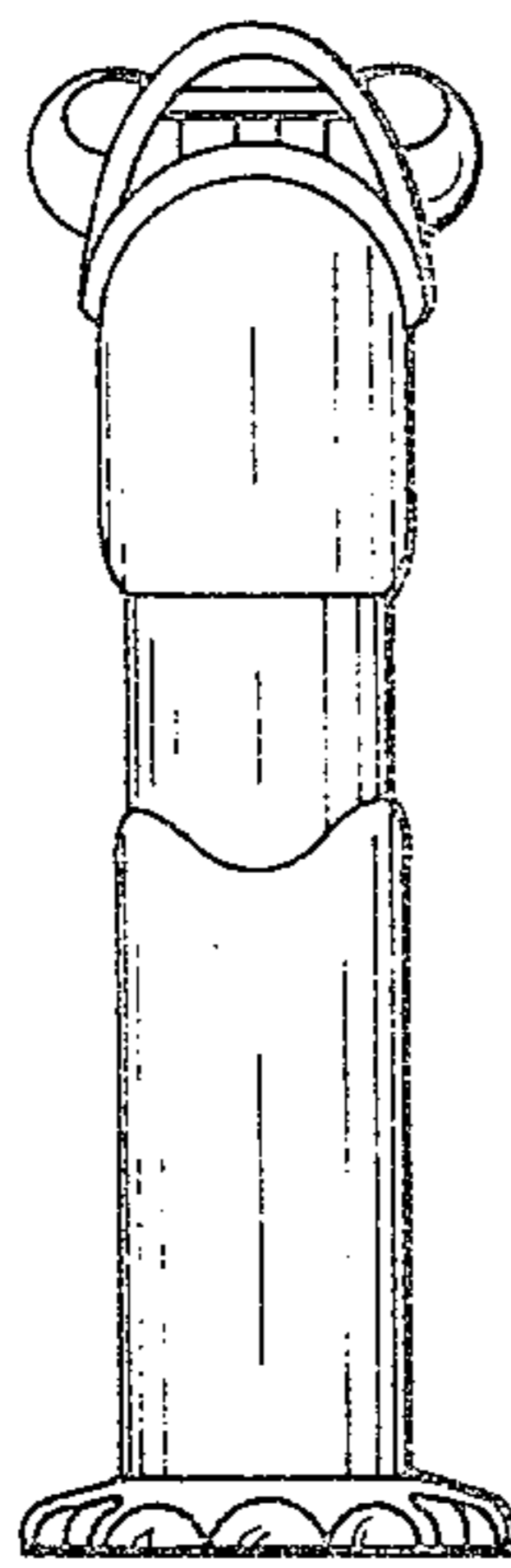


FIG.4

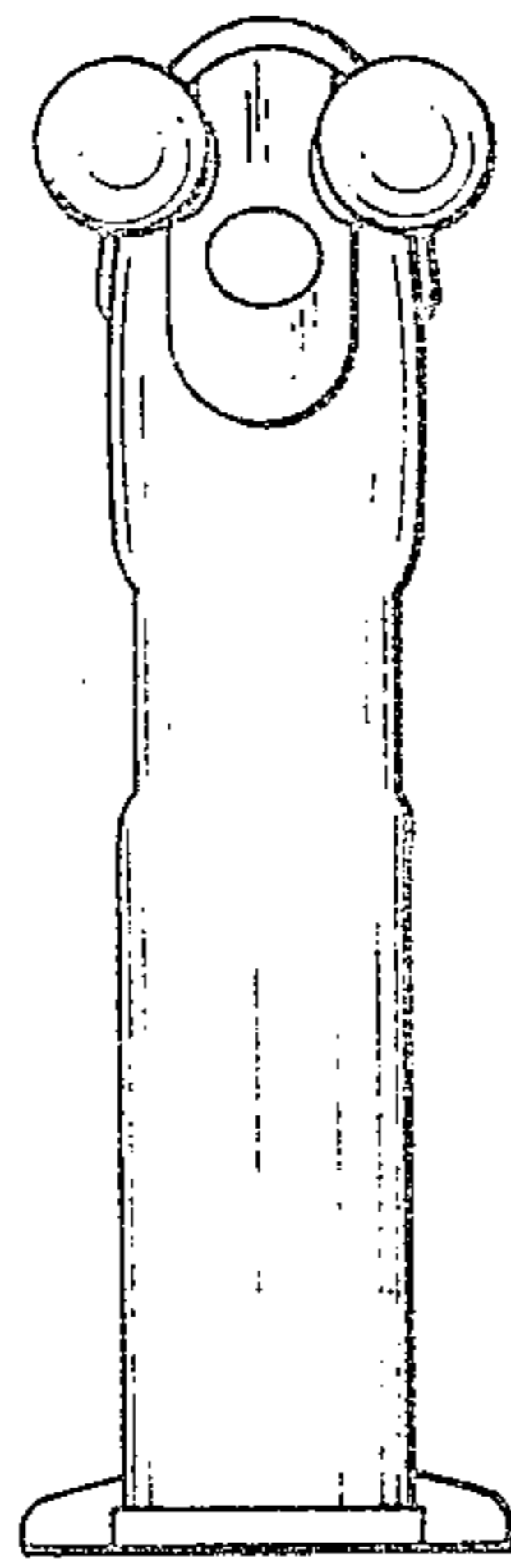


FIG.5

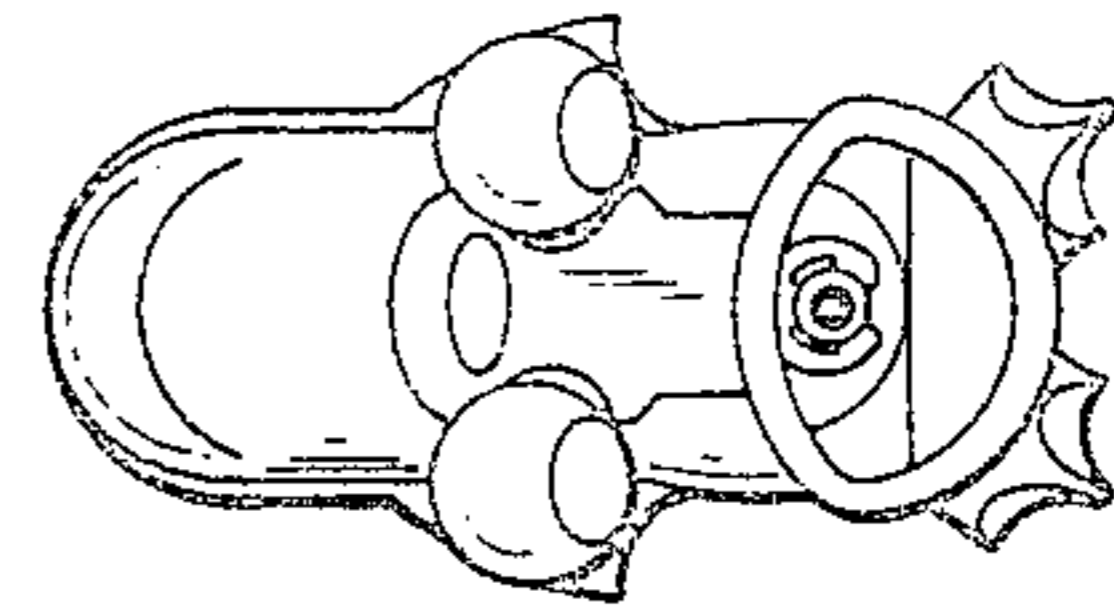


FIG.6

