

[54] **LIGHTER**

[75] Inventor: **Hideo Fujisawa, Tokyo, Japan**

[73] Assignee: **Fujisawa Company Ltd., Japan**

[\*\*] Term: **14 Years**

[21] Appl. No.: **774,807**

[22] Filed: **Sep. 10, 1985**

[52] U.S. Cl. .... **D27/36**

[58] Field of Search ..... **D27/36-42;**  
**431/124-144, 154, 156, 253-256, 274, 343**

[56] **References Cited**

**U.S. PATENT DOCUMENTS**

D. 226,678 4/1973 Goto ..... **D27/42**  
D. 228,307 9/1973 Rams ..... **D27/39**

*Primary Examiner*—Catherine E. Kemper

*Attorney, Agent, or Firm*—Wegner & Bretschneider

[57] **CLAIM**

The ornamental design for a lighter, substantially as shown and described.

**DESCRIPTION**

FIG. 1 is a perspective view of a lighter, showing my new design;

FIG. 2 is a left side elevational view thereof;

FIG. 3 is a right side elevational view thereof;

FIG. 4 is a top plan view thereof;

FIG. 5 is a bottom plan view thereof;

FIG. 6 is a front elevational view thereof;

FIG. 7 is a rear elevational view thereof;

FIG. 8 is a perspective view of the lighter with the body partially extended;

FIG. 9 is a perspective view of the lighter with the body fully extended.

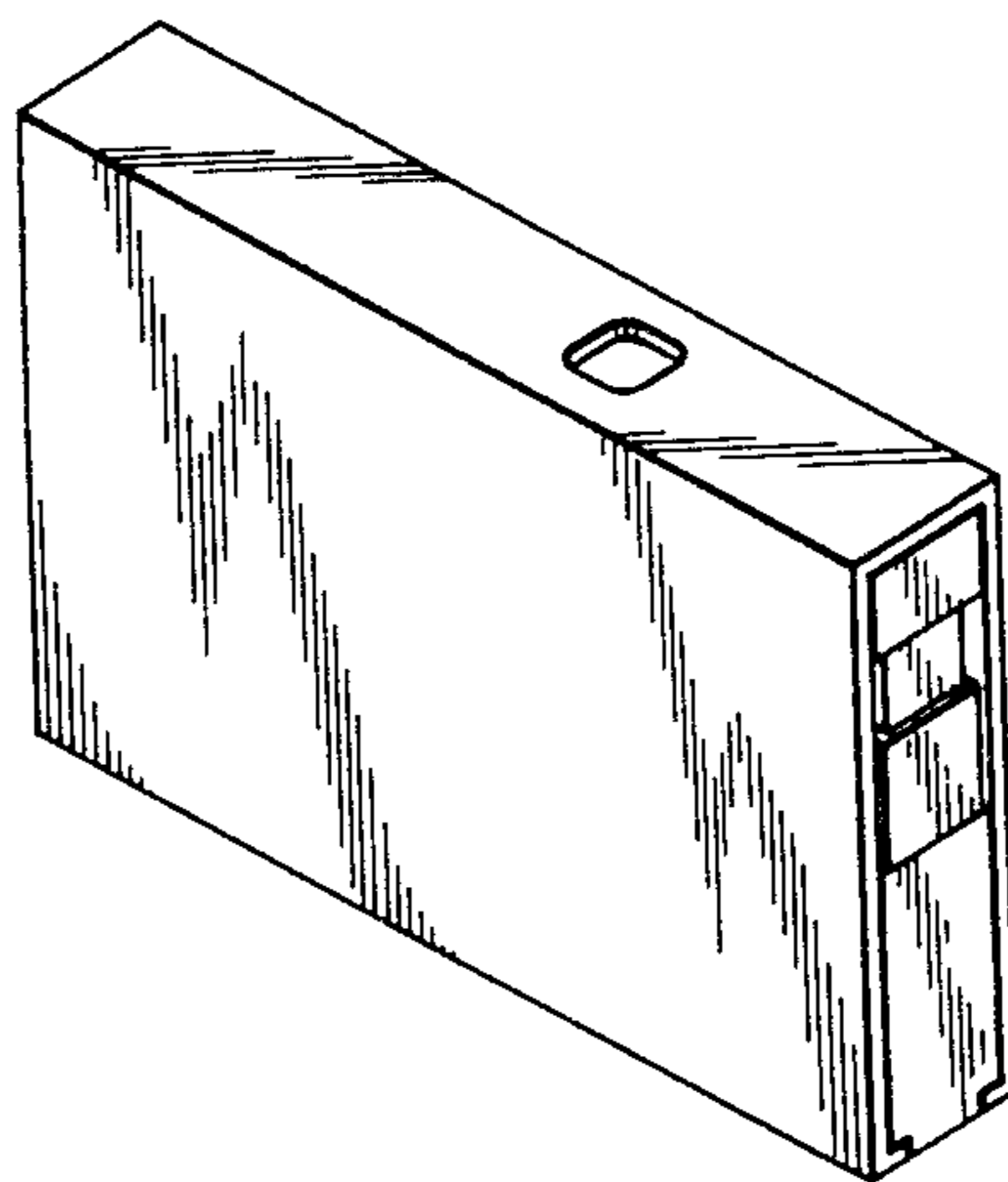


FIG. 1

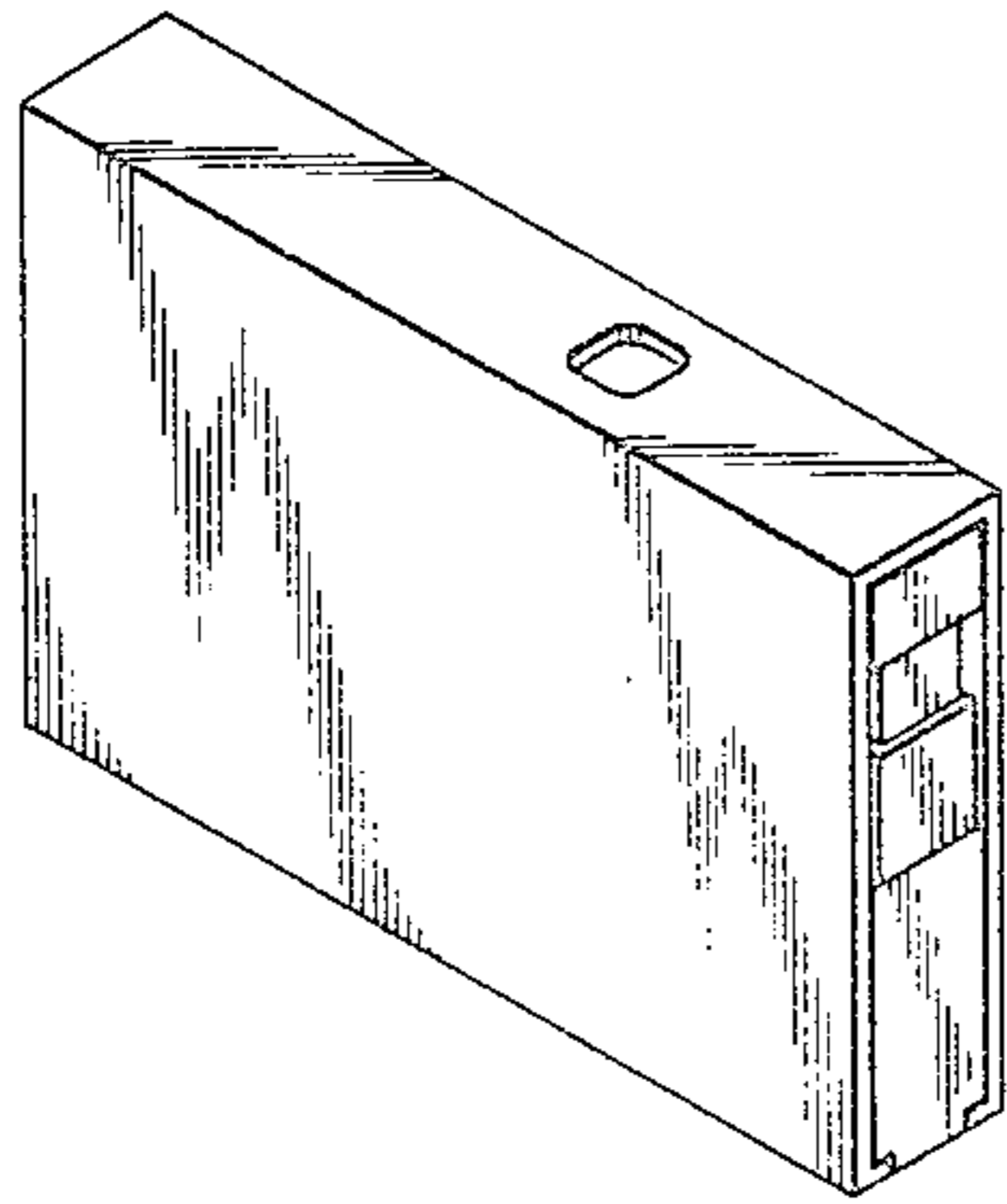


FIG. 2

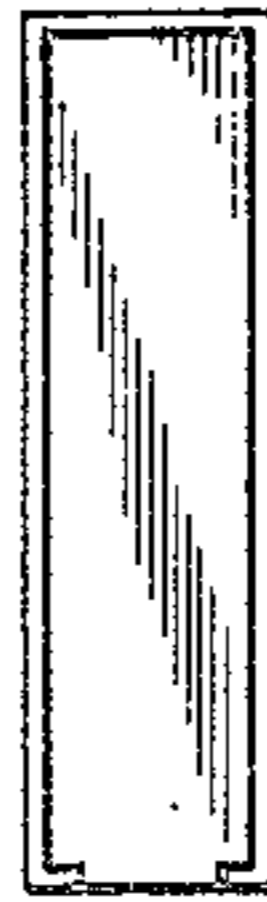


FIG. 3



FIG. 4

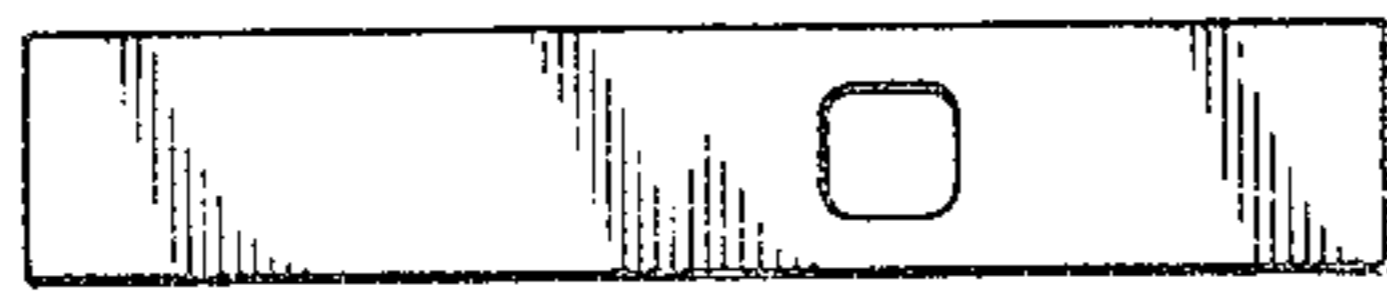


FIG. 5

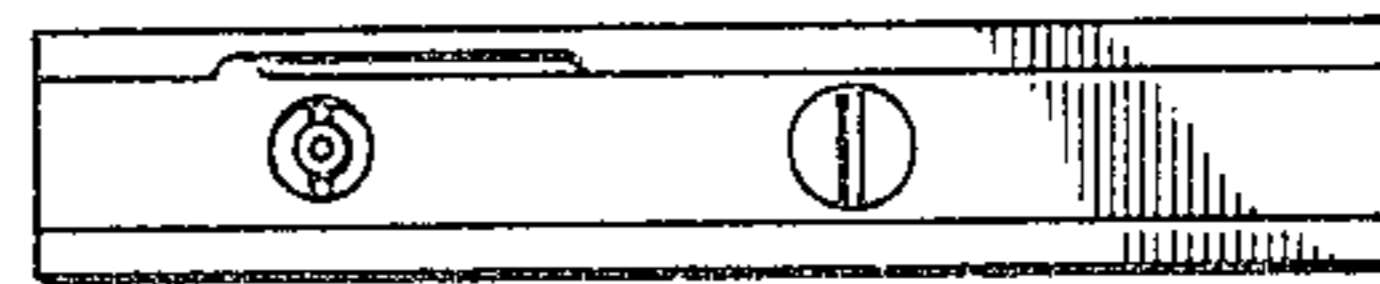


FIG. 6

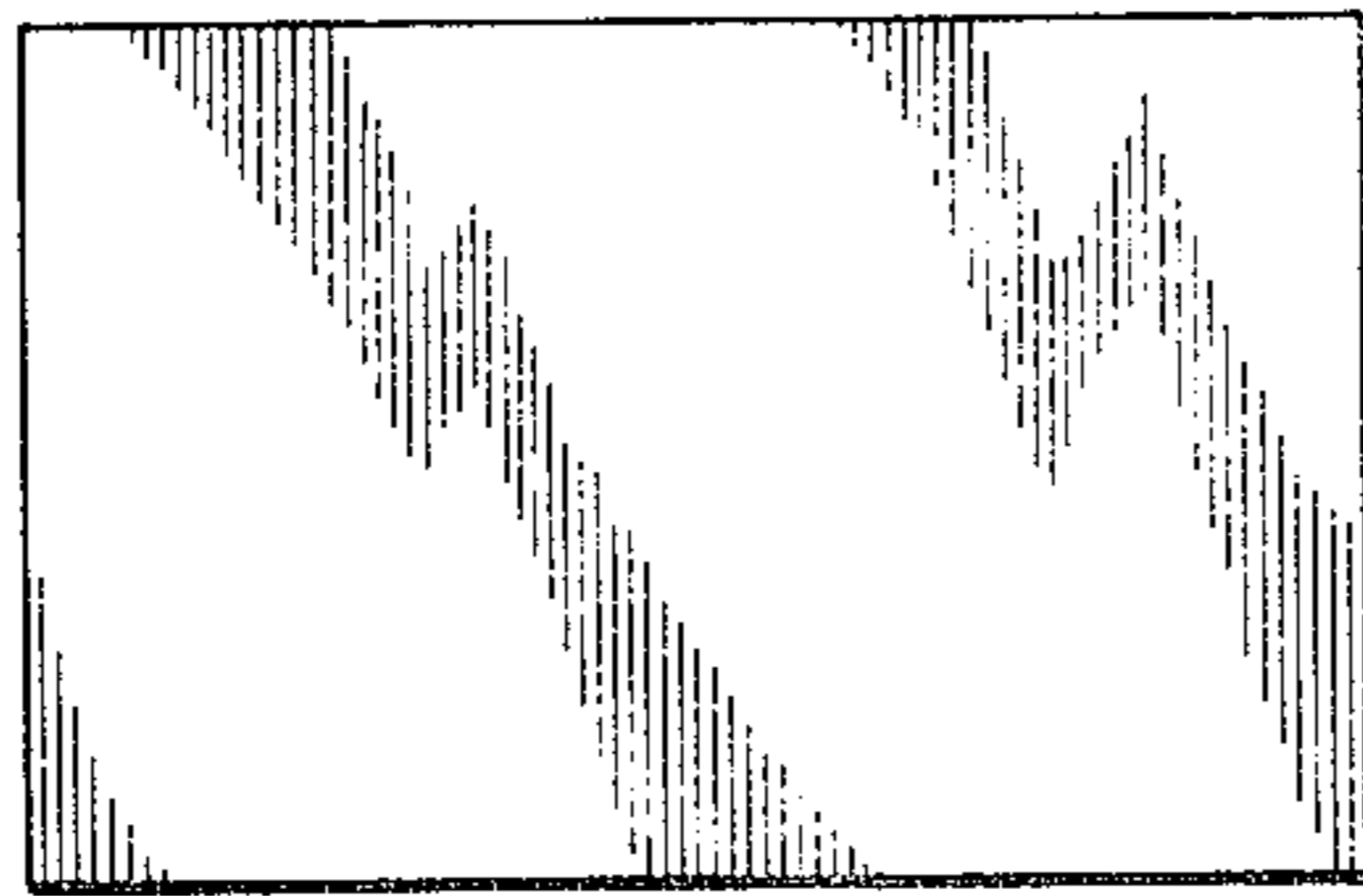


FIG. 7

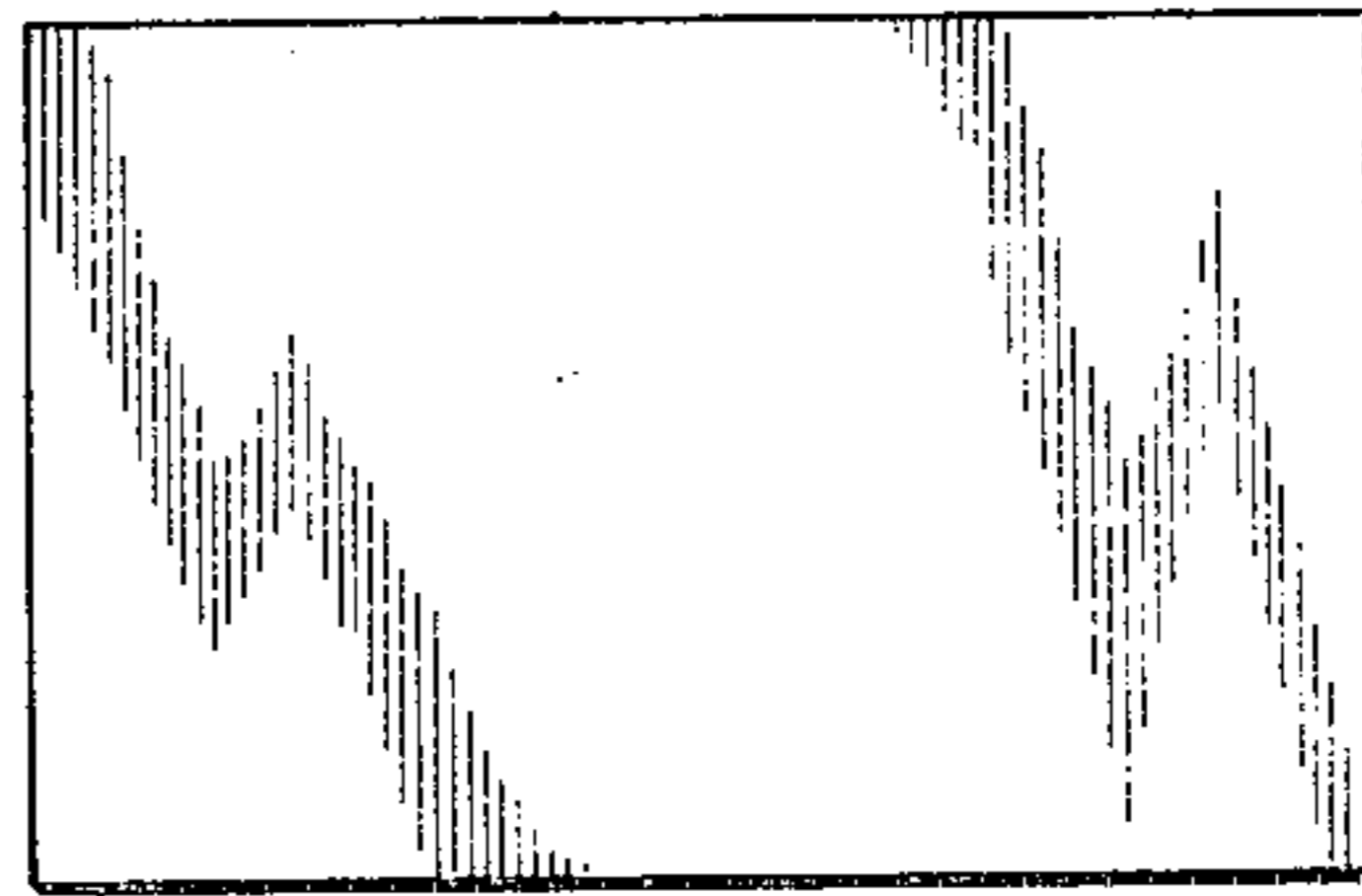


FIG. 8

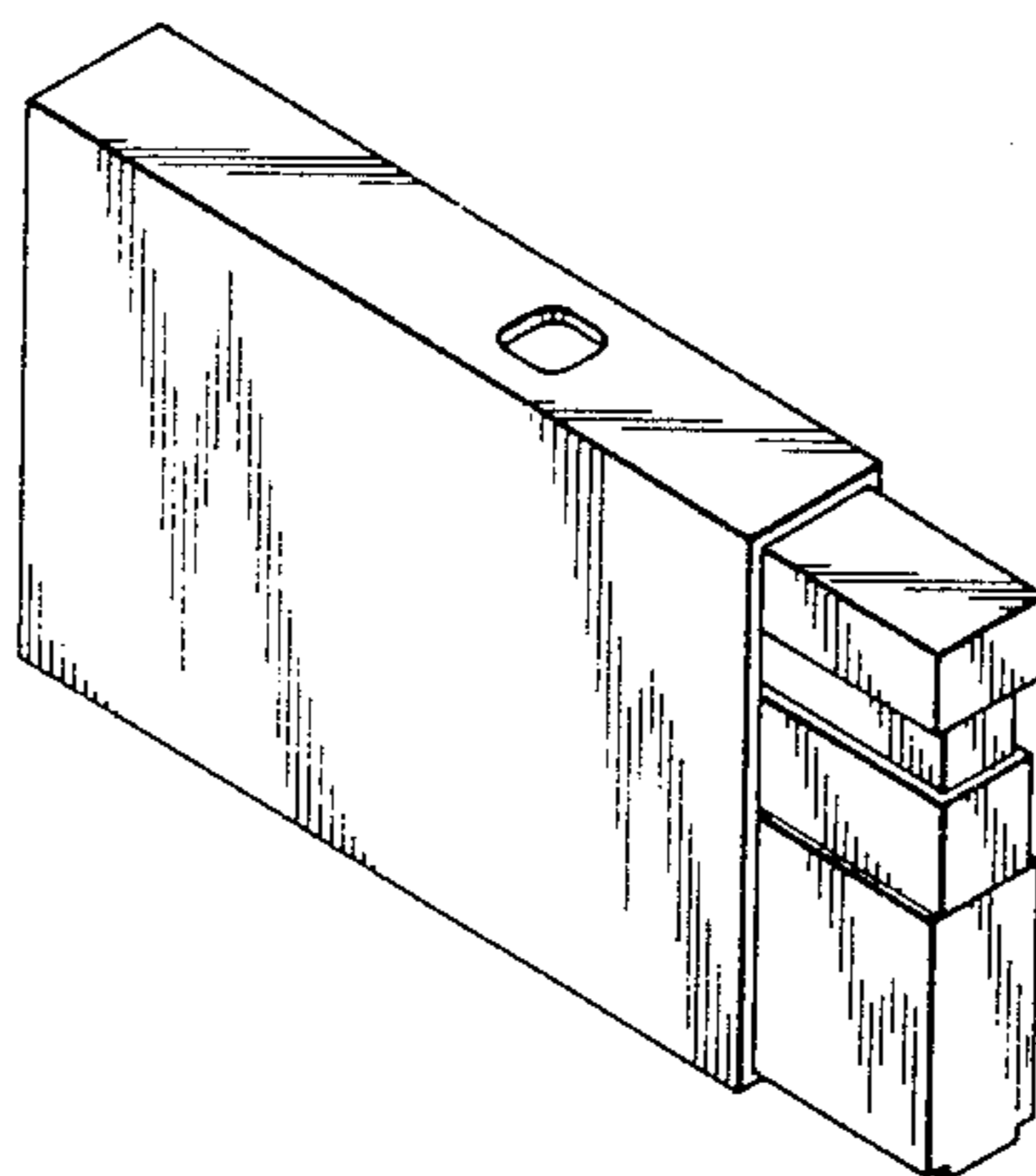


FIG. 9

