

[54] FLASHLIGHT

[75] Inventor: Kenneth R. Fenne, Glen Ellyn, Ill.

[73] Assignee: Pittway Corporation, Aurora, Ill.

[**] Term: 14 Years

[21] Appl. No.: 631,498

[22] Filed: Jul. 16, 1984

[52] U.S. Cl. D26/48

[58] Field of Search D26/37-49;
362/157, 183-208

OTHER PUBLICATIONS

Drawings of commercial flashlight depicted in application Ser. No. 387,762.

Drawings of commercial flashlight depicted in application Ser. No. 540,181.

Primary Examiner—Susan J. Lucas

Attorney, Agent, or Firm—Emrich & Dithmar

[57] CLAIM

The ornamental design for a flashlight, as shown and described.

DESCRIPTION

FIG. 1 is a top plan view of a flashlight showing my new design;

FIG. 2 is a side elevational view thereof, the other side being identical;

FIG. 3 is a bottom plan view thereof;

FIG. 4 is a front elevational view thereof; and

FIG. 5 is a rear elevational view thereof.

[56] References Cited

U.S. PATENT DOCUMENTS

D. 228,084	8/1974	Beer	D26/48
D. 231,118	4/1974	Moore	D26/48
D. 239,557	4/1976	Nicholl	D26/48
D. 272,476	1/1984	McCloskey et al.	D26/46
D. 283,254	4/1986	Fenne	D26/48

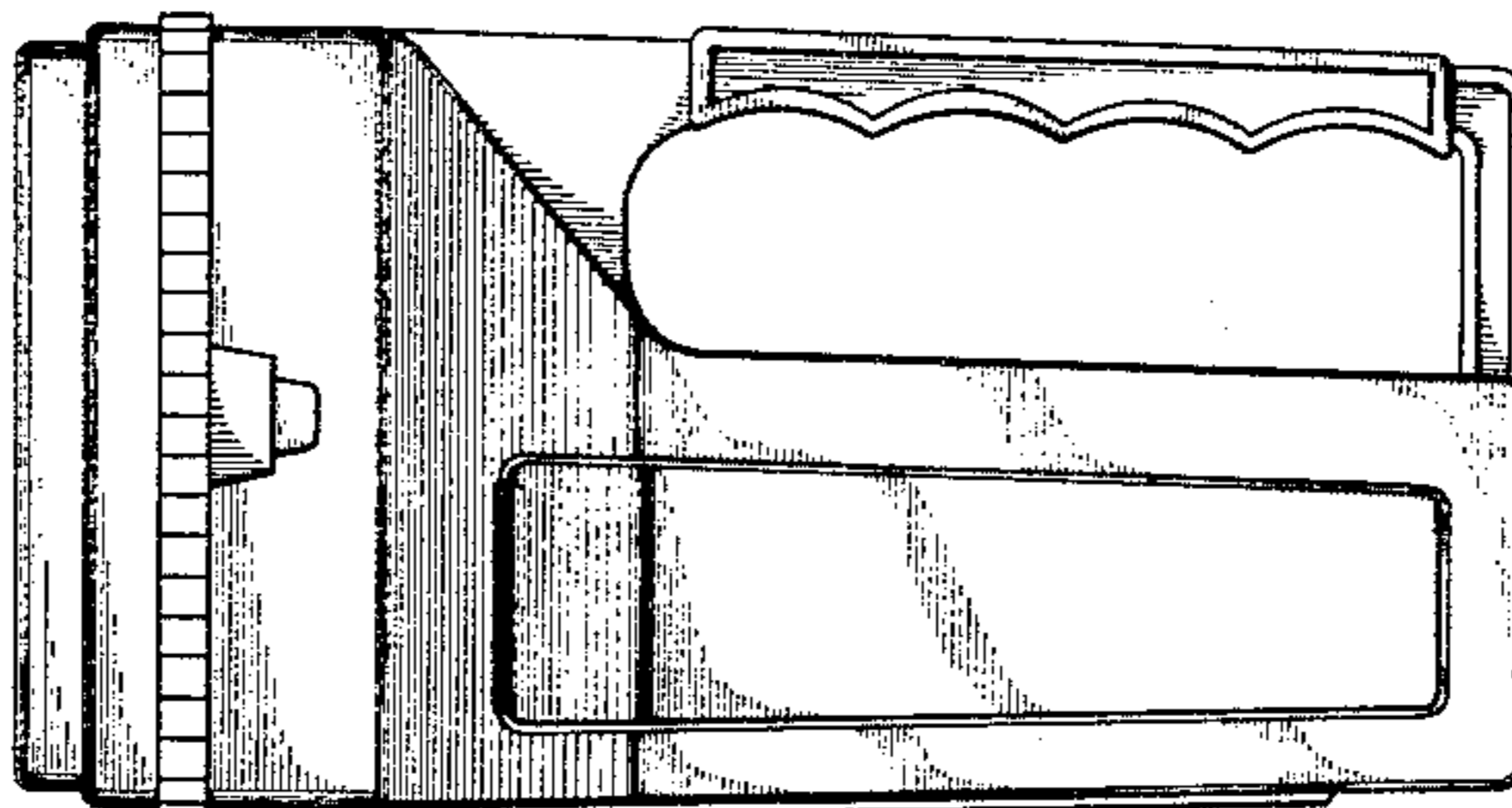
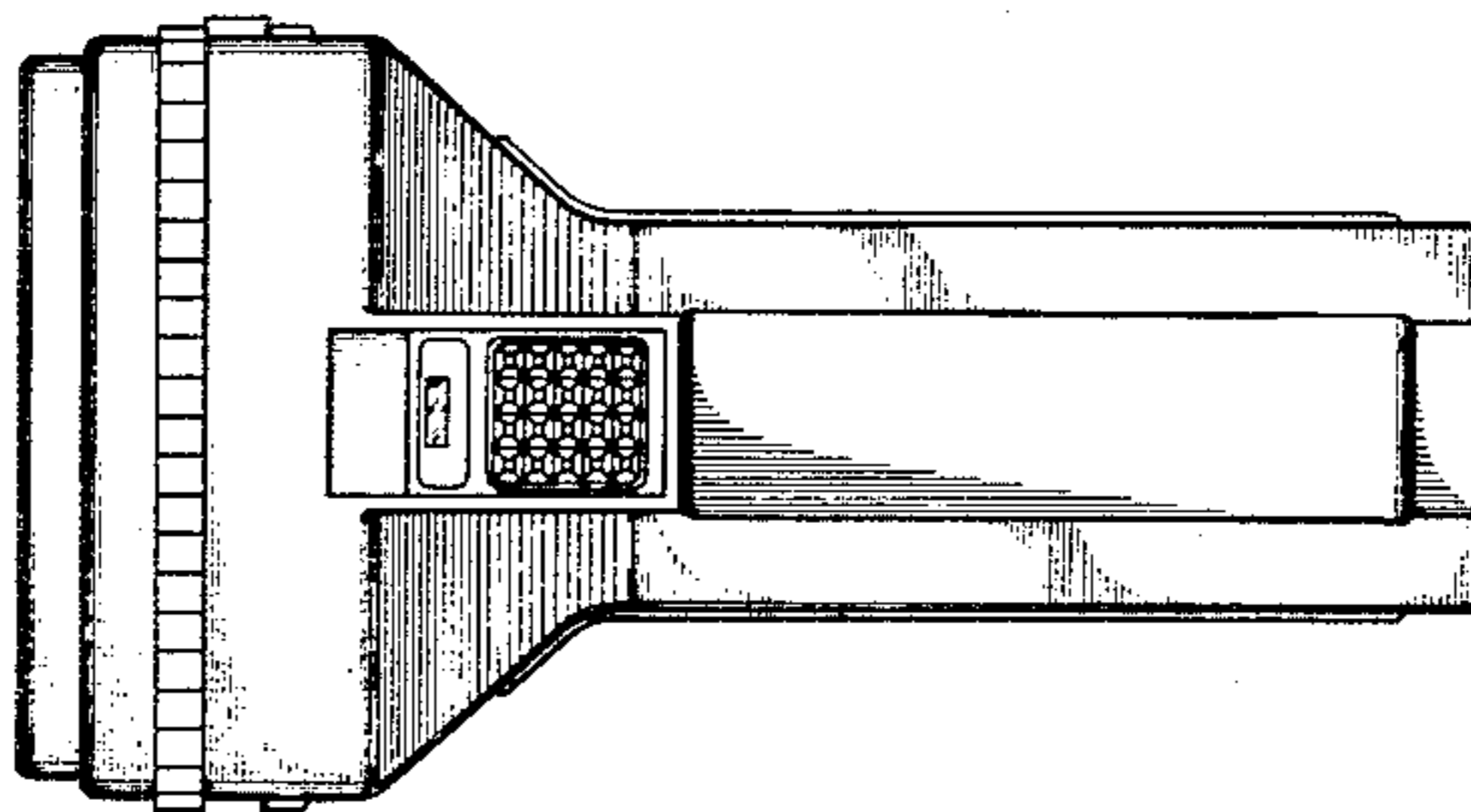


Fig 1

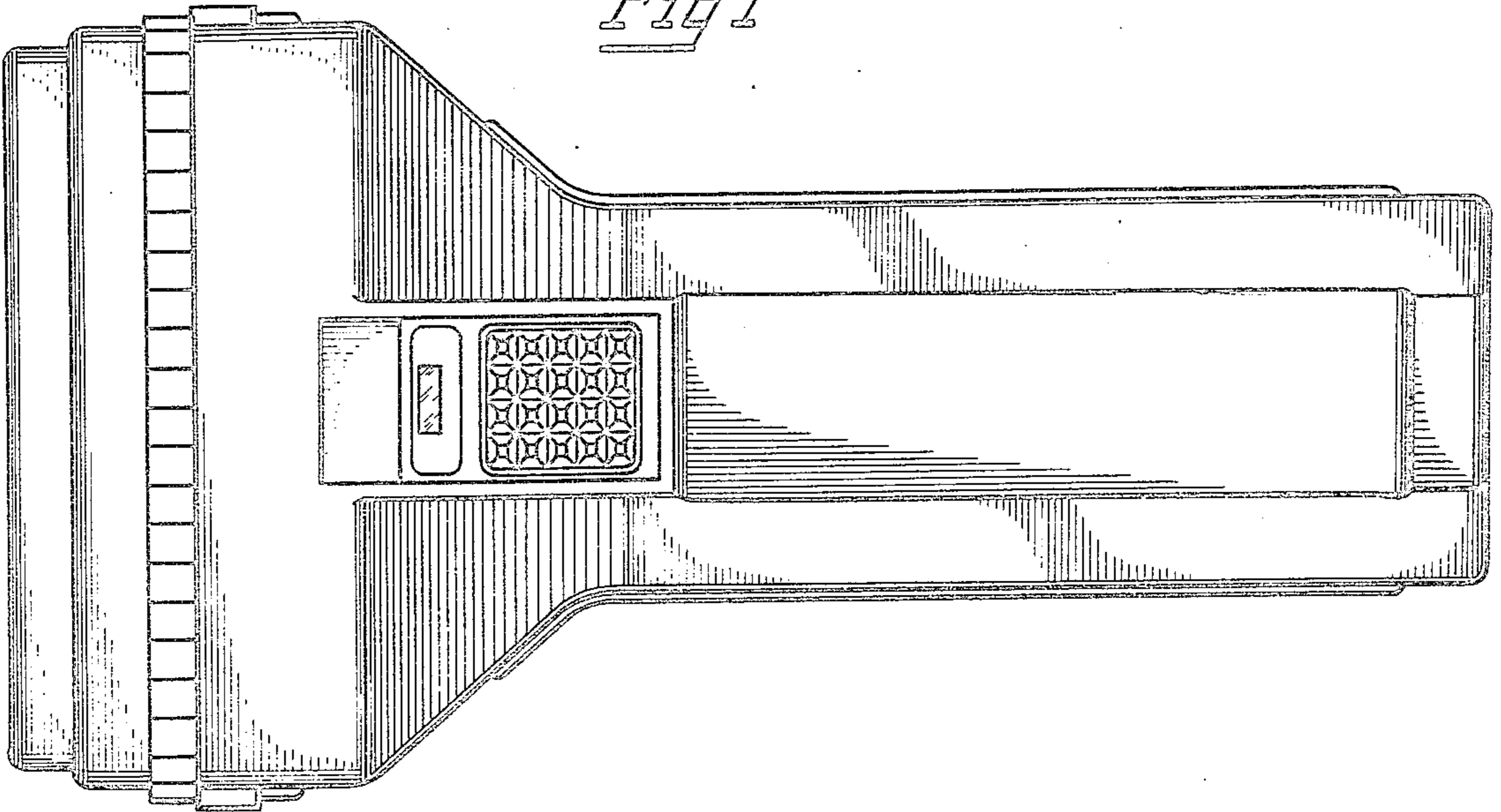
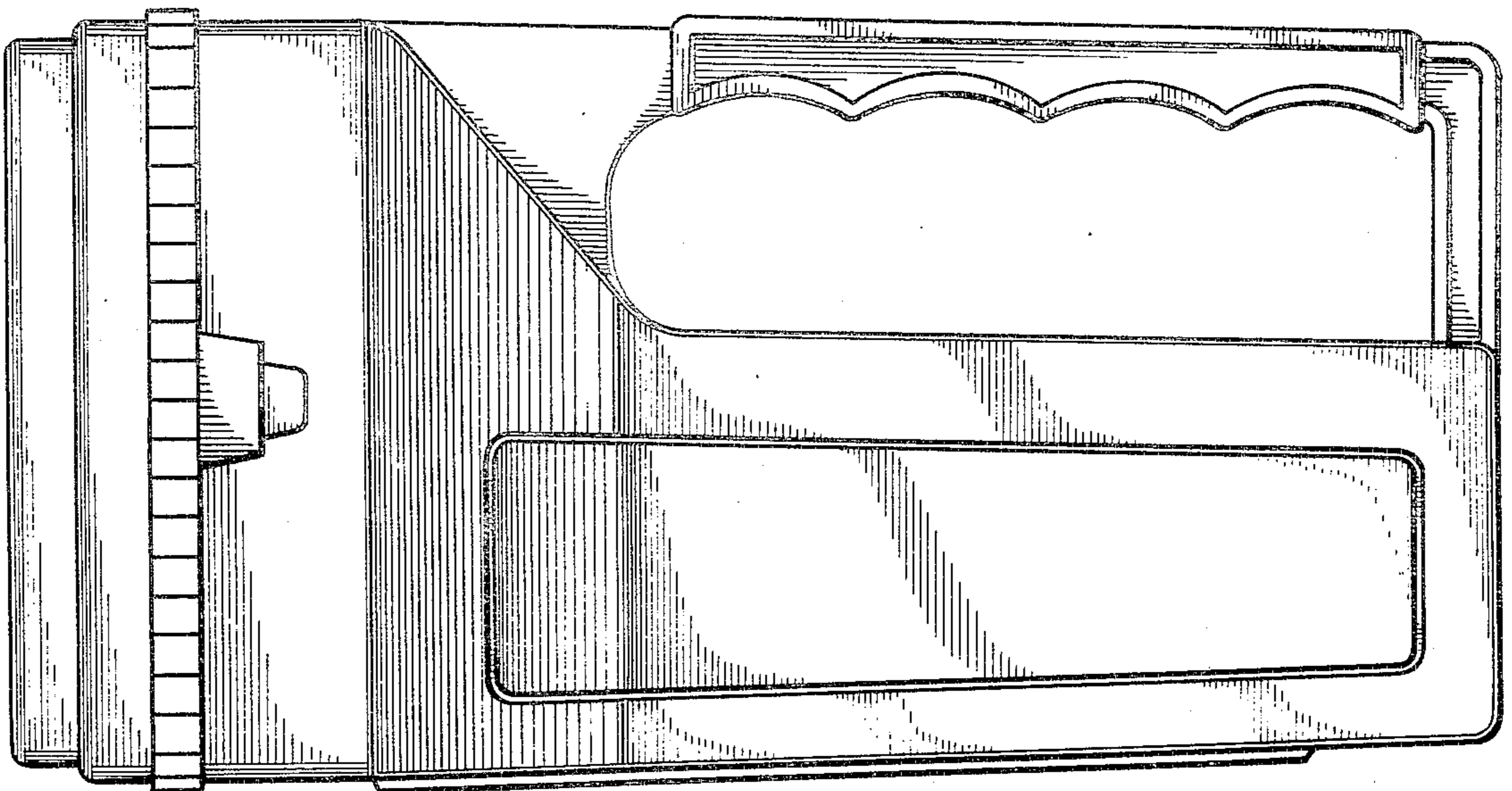


Fig 2



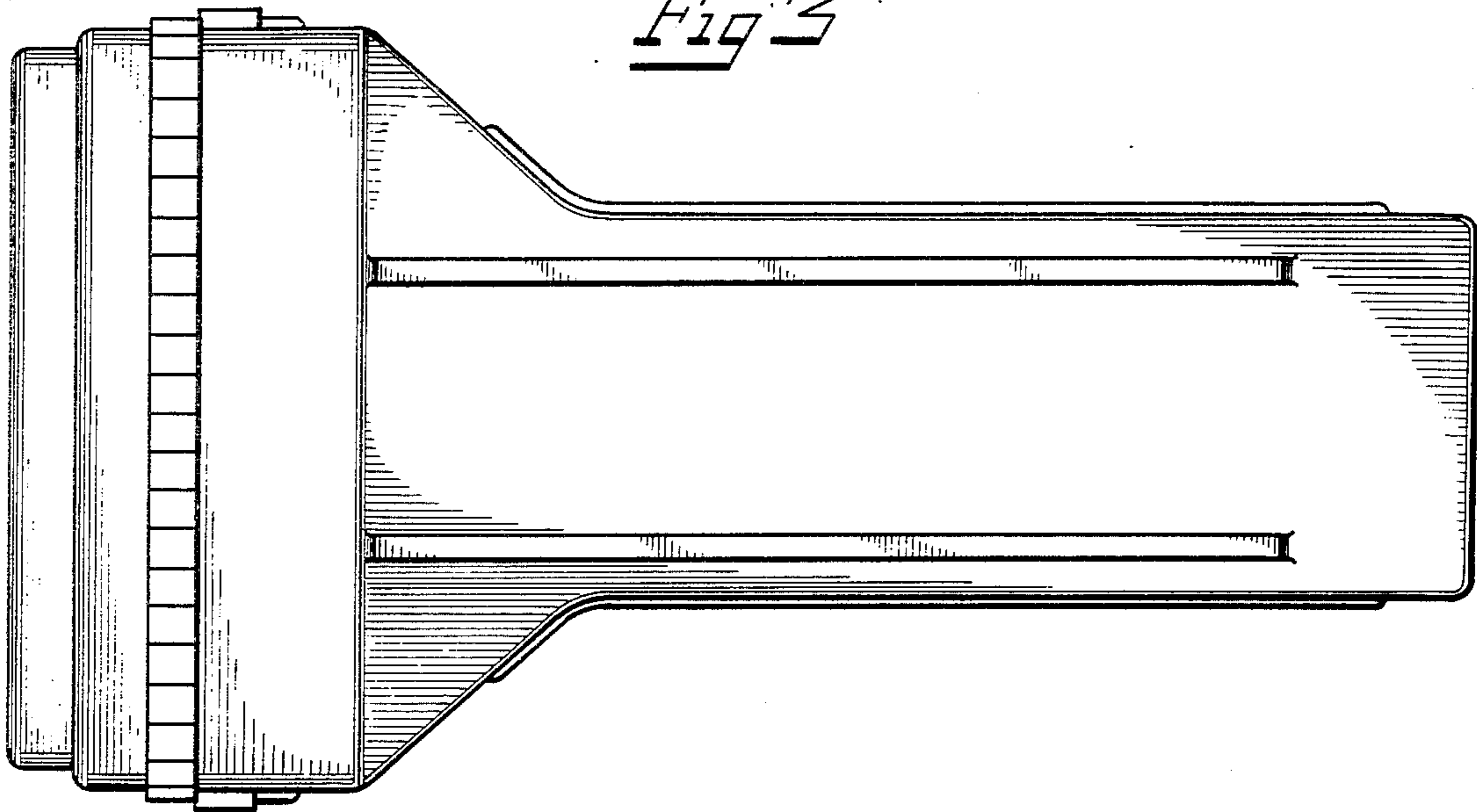


Fig 4

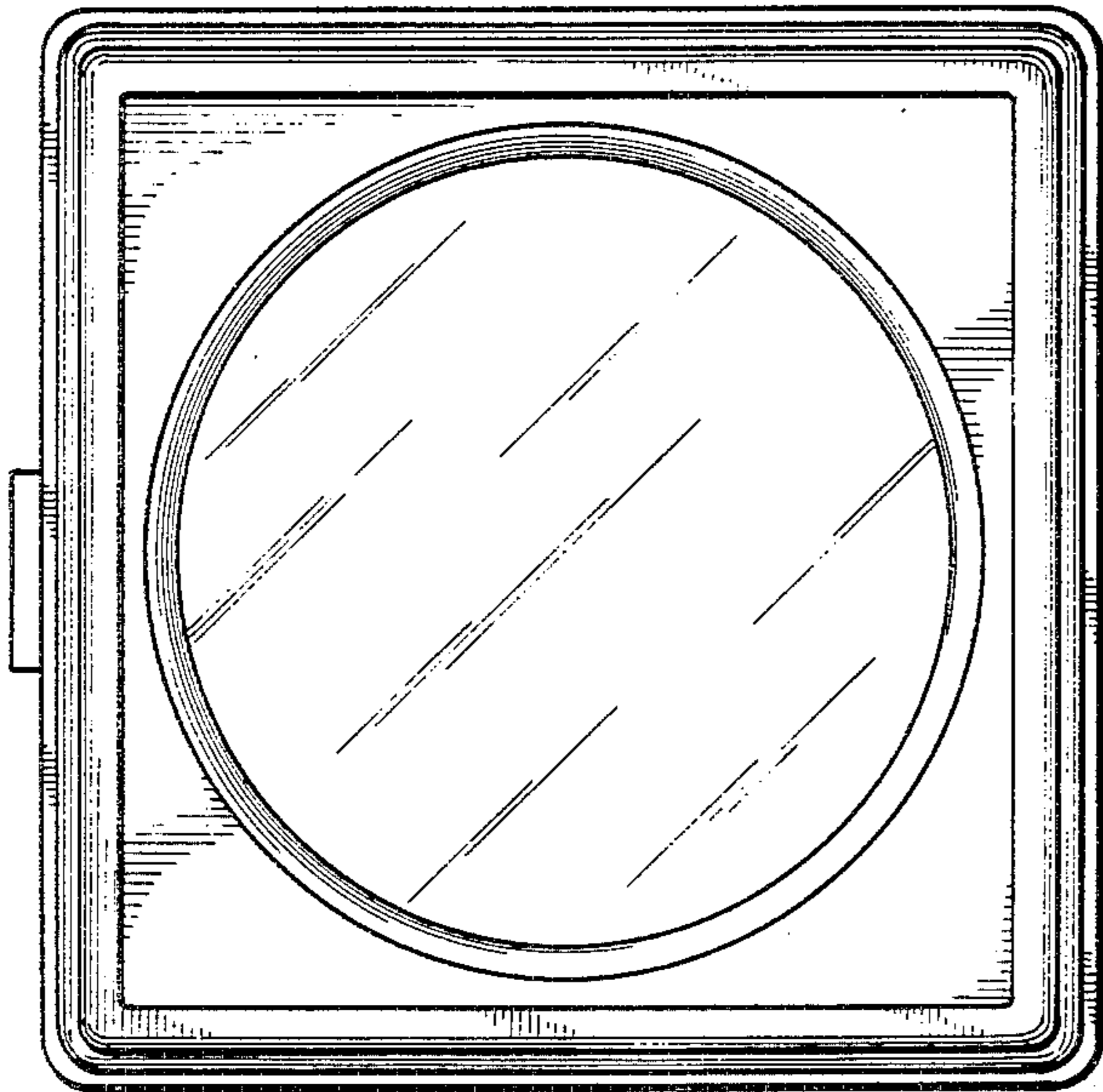


Fig 5

