

United States Patent [19]

Larkin

[11] Patent Number: **Des. 289,796**

[45] Date of Patent: **** May 12, 1987**

[54] **VIAL STOPPER**

[75] Inventor: **Mark E. Larkin, Lindenhurst, Ill.**

[73] Assignee: **Abbott Laboratories, North Chicago, Ill.**

[**] Term: **14 Years**

[21] Appl. No.: **680,013**

[22] Filed: **Dec. 10, 1984**

[52] U.S. Cl. **D24/29; D9/439**

[58] Field of Search **D24/29, 56; 215/355, 215/247, 249; D9/435, 439; 604/256**

[56] **References Cited**

U.S. PATENT DOCUMENTS

2,848,130 8/1958 Jesnig 215/247 X
3,136,440 6/1964 Krug et al. 215/247

3,898,046 8/1975 Ikeda et al. 215/355 X
4,226,334 10/1980 Weiler et al. 215/355
4,412,573 11/1983 Zdeb 215/247 X

Primary Examiner—A. Hugo Word
Assistant Examiner—Stella M. Reid
Attorney, Agent, or Firm—Martin L. Katz; Robert W. Stevenson

[57] CLAIM

The ornamental design for a vial stopper, substantially as shown and described.

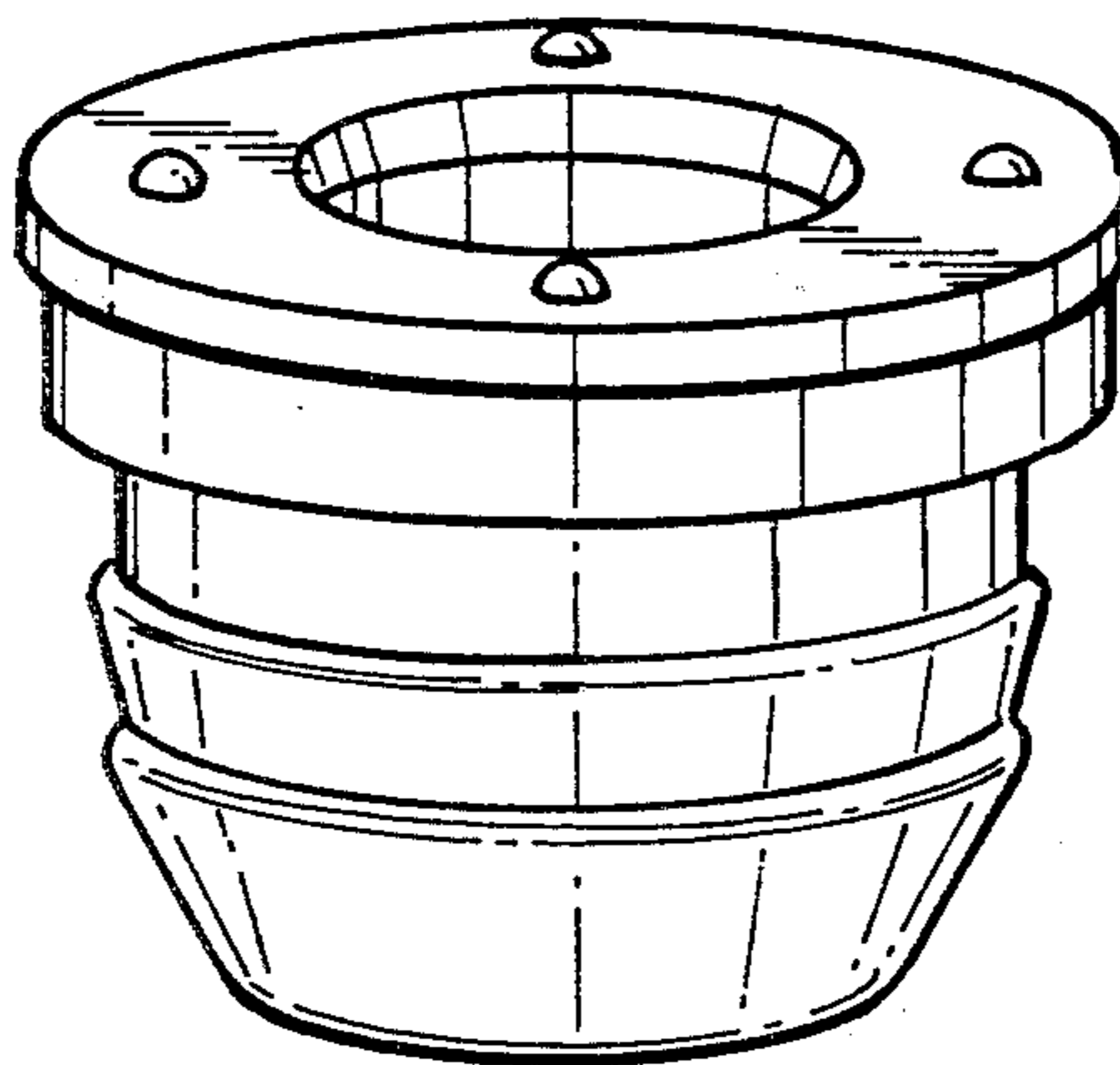
DESCRIPTION

FIG. 1 is a perspective view of a vial stopper showing my new design;

FIG. 2 is a top plan view thereof;

FIG. 3 is a front elevational view thereof; and

FIG. 4 is a bottom plan view thereof.



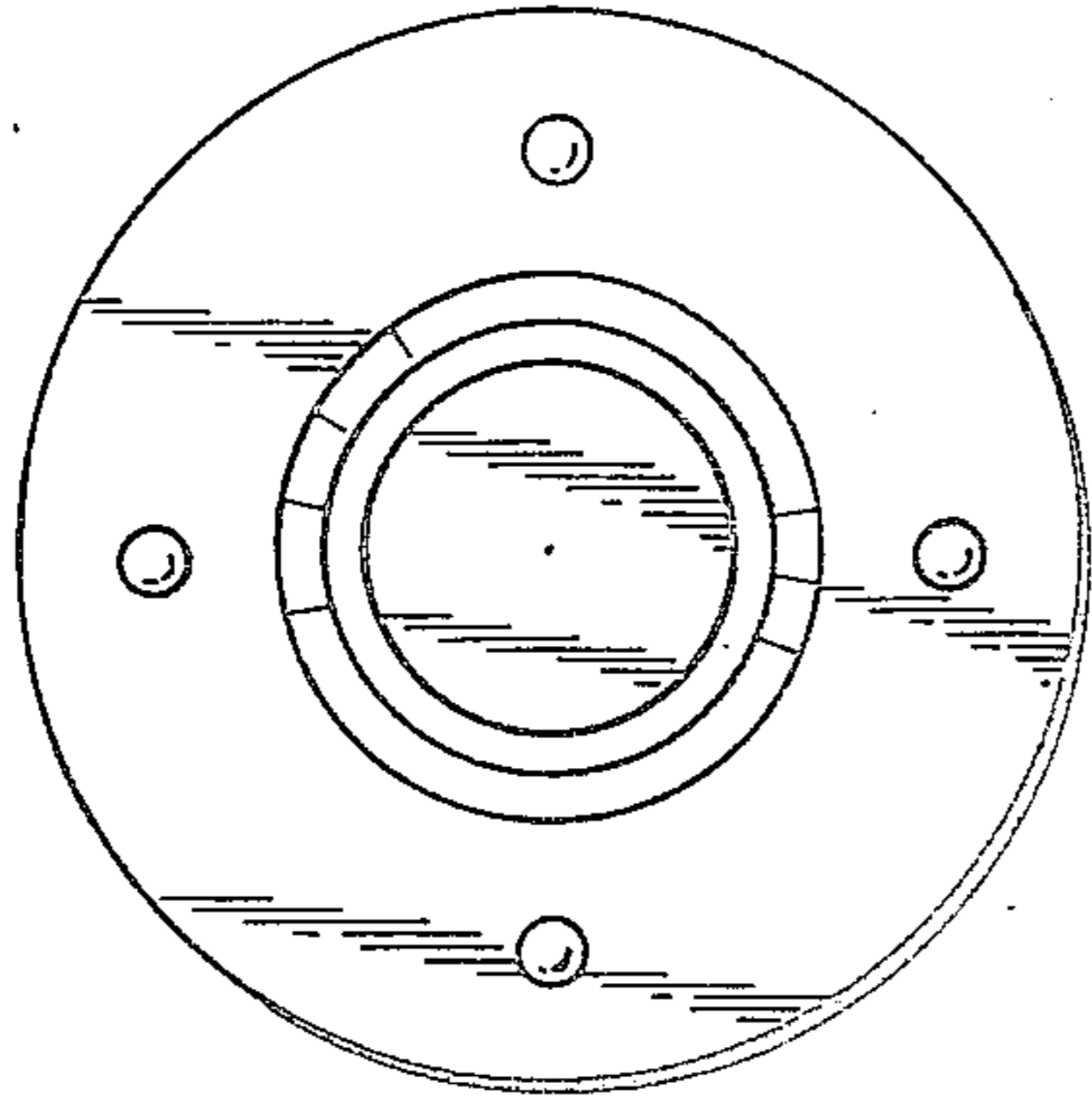


FIG. 2

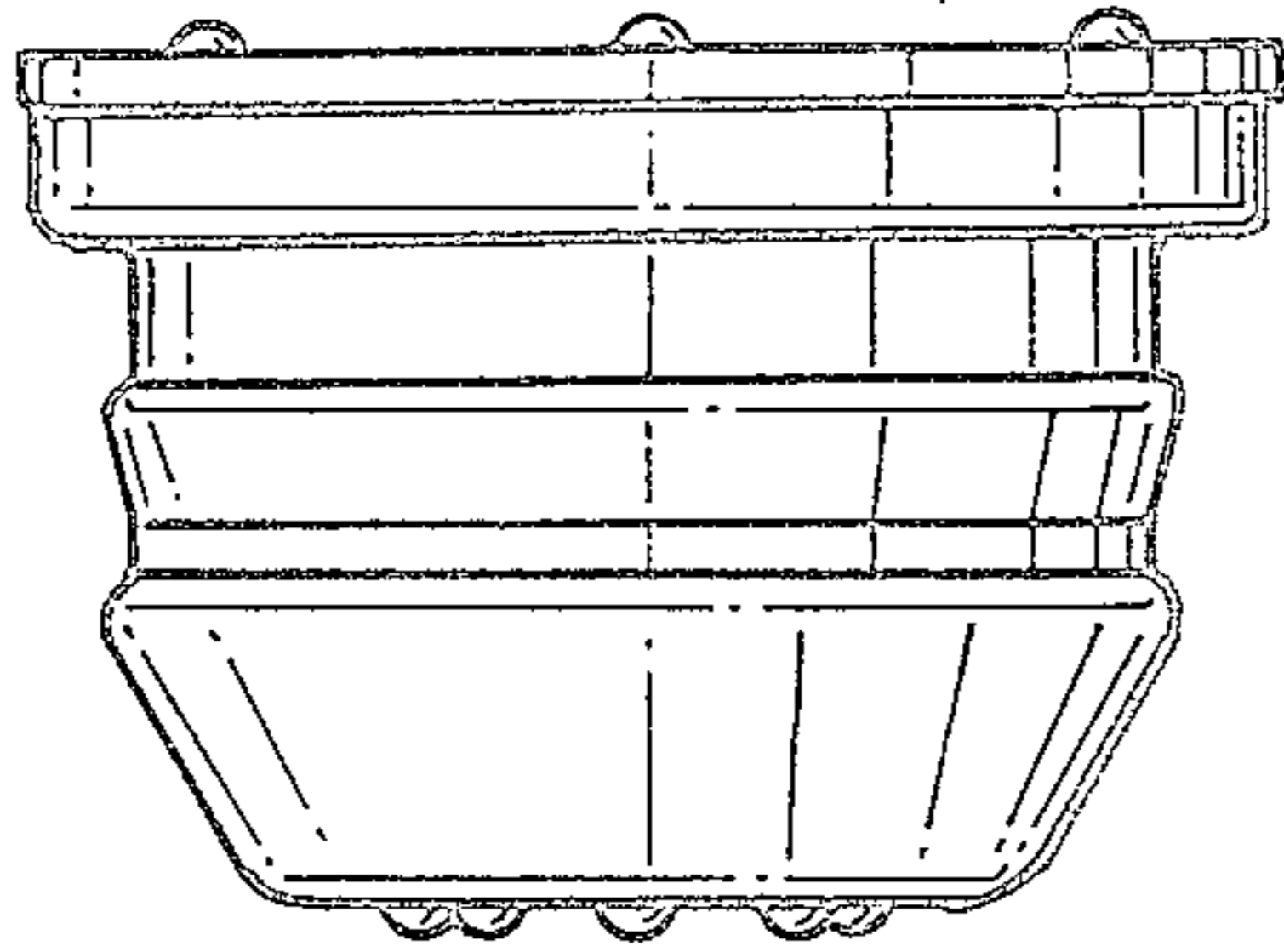


FIG. 3

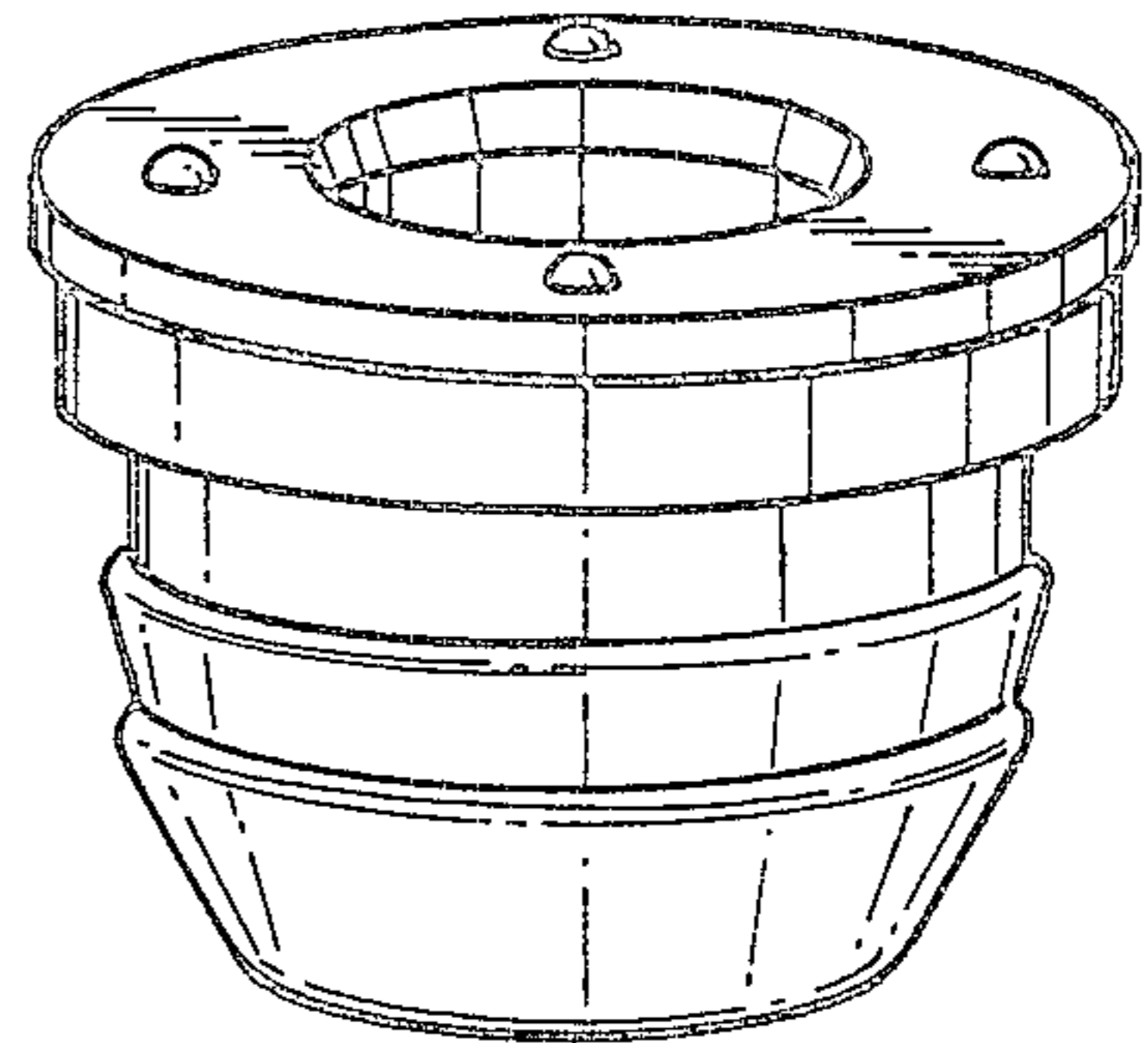


FIG. 1

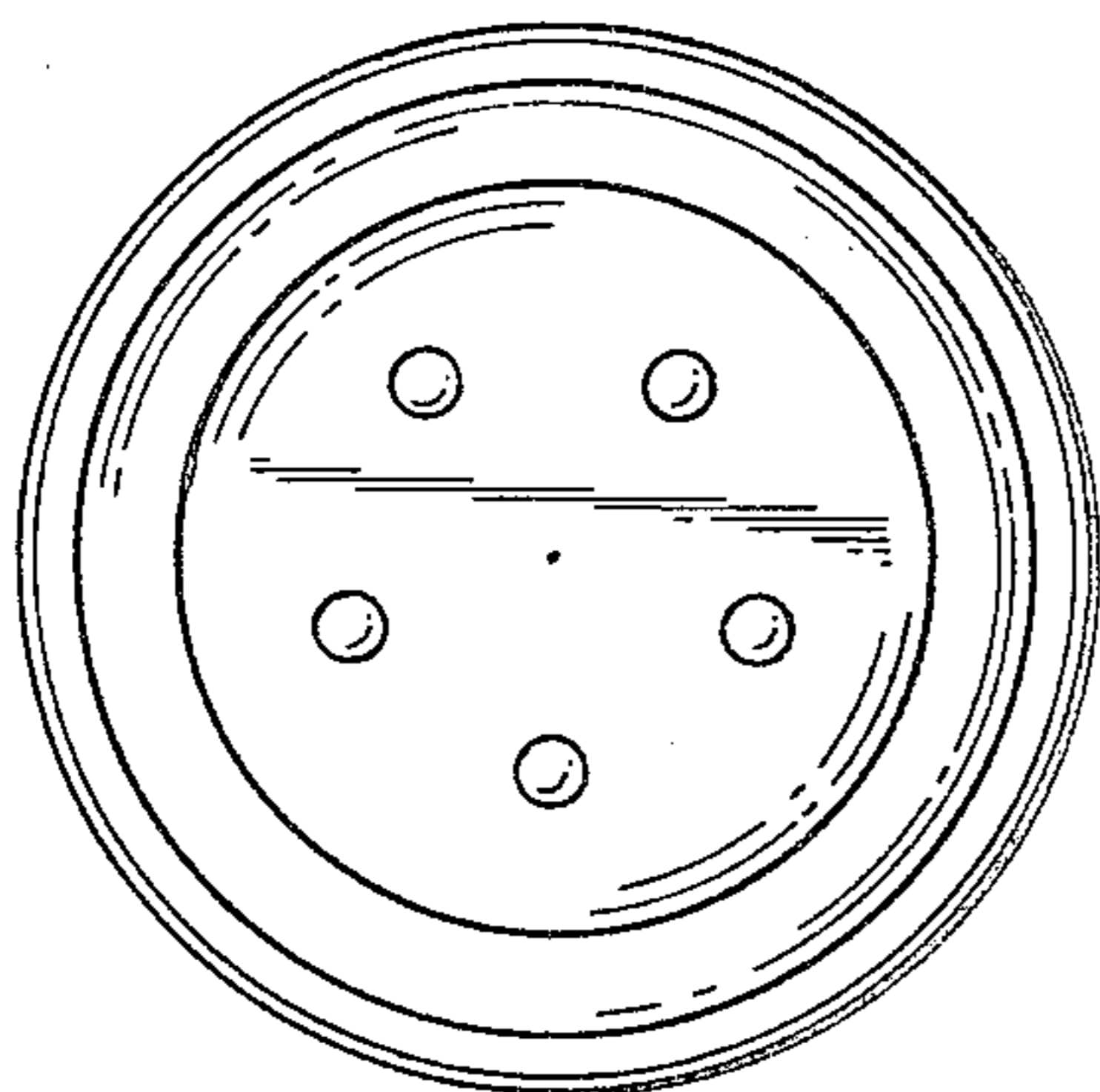


FIG. 4