

[54] BABY BATH

[75] Inventor: Paul M. Schremmer, Sydney, Australia

[73] Assignees: Norman Browne; John Browne, both of Sydney, Australia

[**] Term: 14 Years

[21] Appl. No.: 693,300

[22] Filed: Jan. 22, 1985

[52] U.S. Cl. D23/52

[58] Field of Search D23/52; 4/523, 572, 4/586, 587, 588

[56] References Cited

U.S. PATENT DOCUMENTS

D. 187,127	2/1960	Smith	D23/52
D. 205,992	10/1966	Gardner	D23/52
D. 221,768	9/1971	Savedra	D23/52
D. 236,619	9/1975	Powell	D23/52
D. 274,167	6/1984	Lyne	D23/52
4,216,552	8/1980	Gurolniek	4/572

4,561,135 12/1985 Adriaansen 4/572

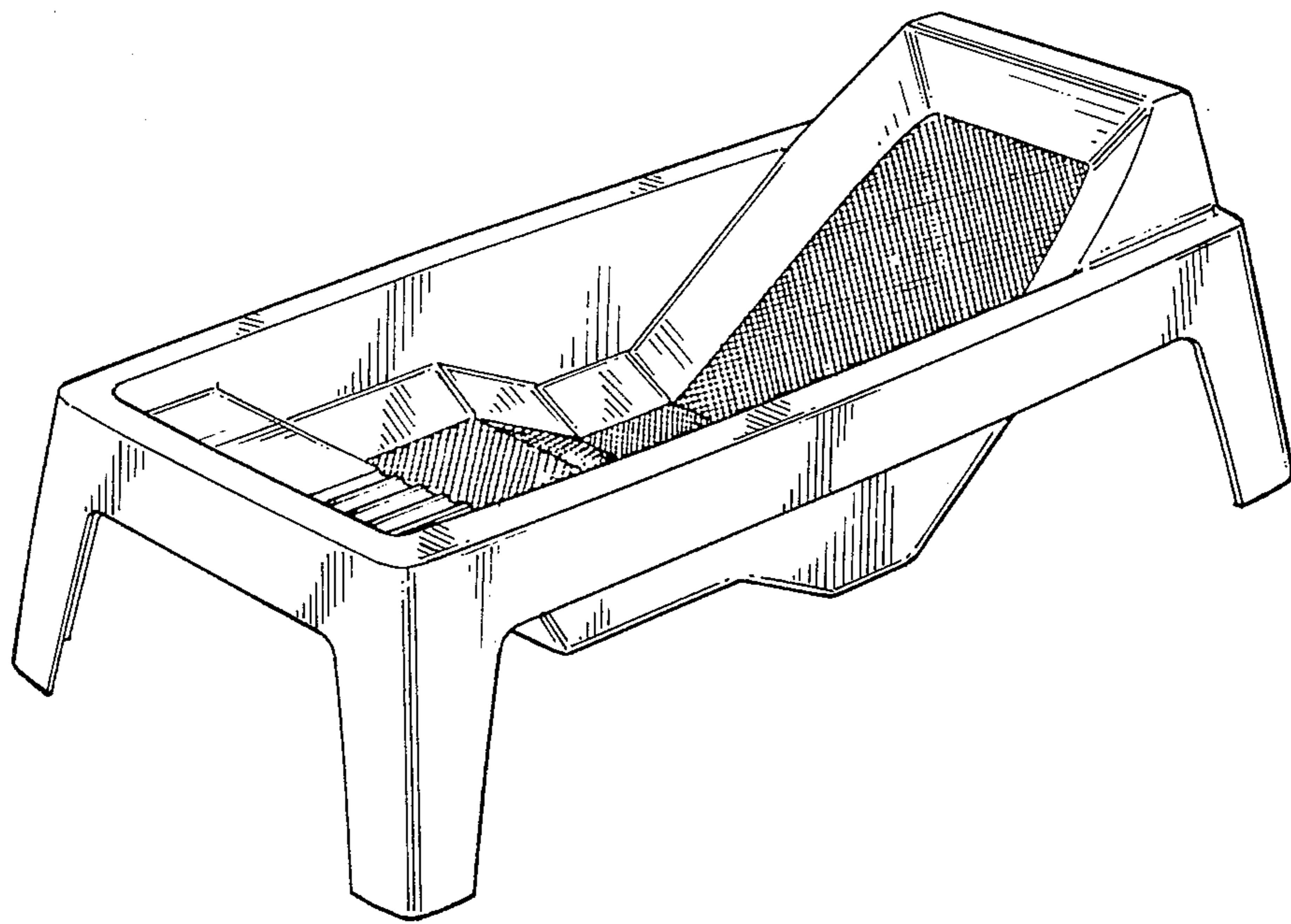
Primary Examiner—James R. Largen
Attorney, Agent, or Firm—Anthony A. O'Brien

[57] CLAIM

The ornamental design for a baby bath, as shown and described.

DESCRIPTION

FIG. 1 is a perspective view taken from the top, front and right side of a baby bath showing my new design; FIG. 2 is a top plan view thereof; FIG. 3 is a bottom plan view thereof; FIG. 4 is a right side elevational view thereof, the left side being a mirror image of the right side shown; FIG. 5 is a front elevational view thereof; FIG. 6 is a rear elevational view thereof; FIG. 7 is a cross sectional view taken on line 7—7 of FIG. 2; and FIG. 8 is a cross sectional view taken on line 8—8 of FIG. 2; and FIG. 9 is a cross sectional view taken on line 9—9 of FIG. 2.



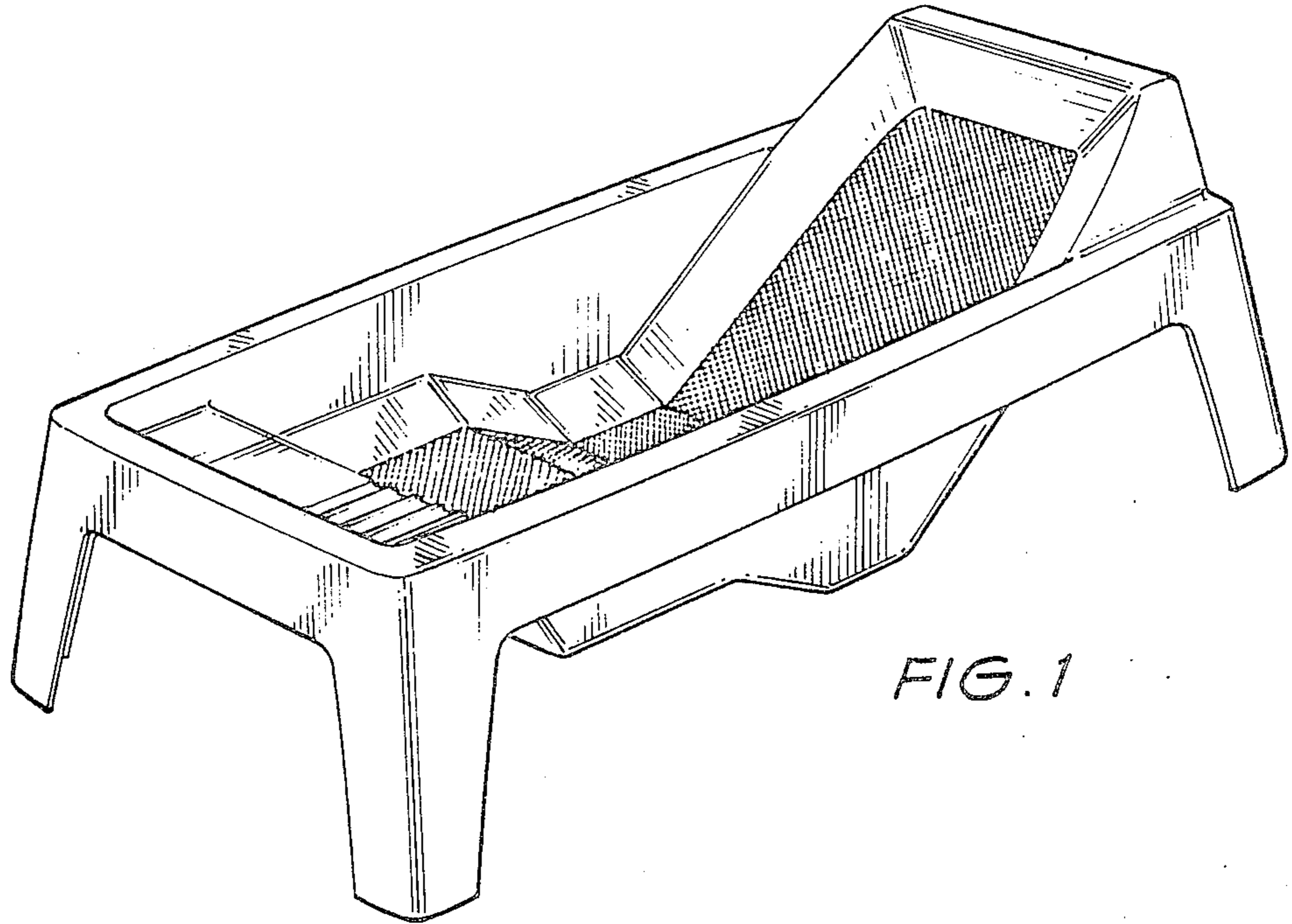


FIG. 1

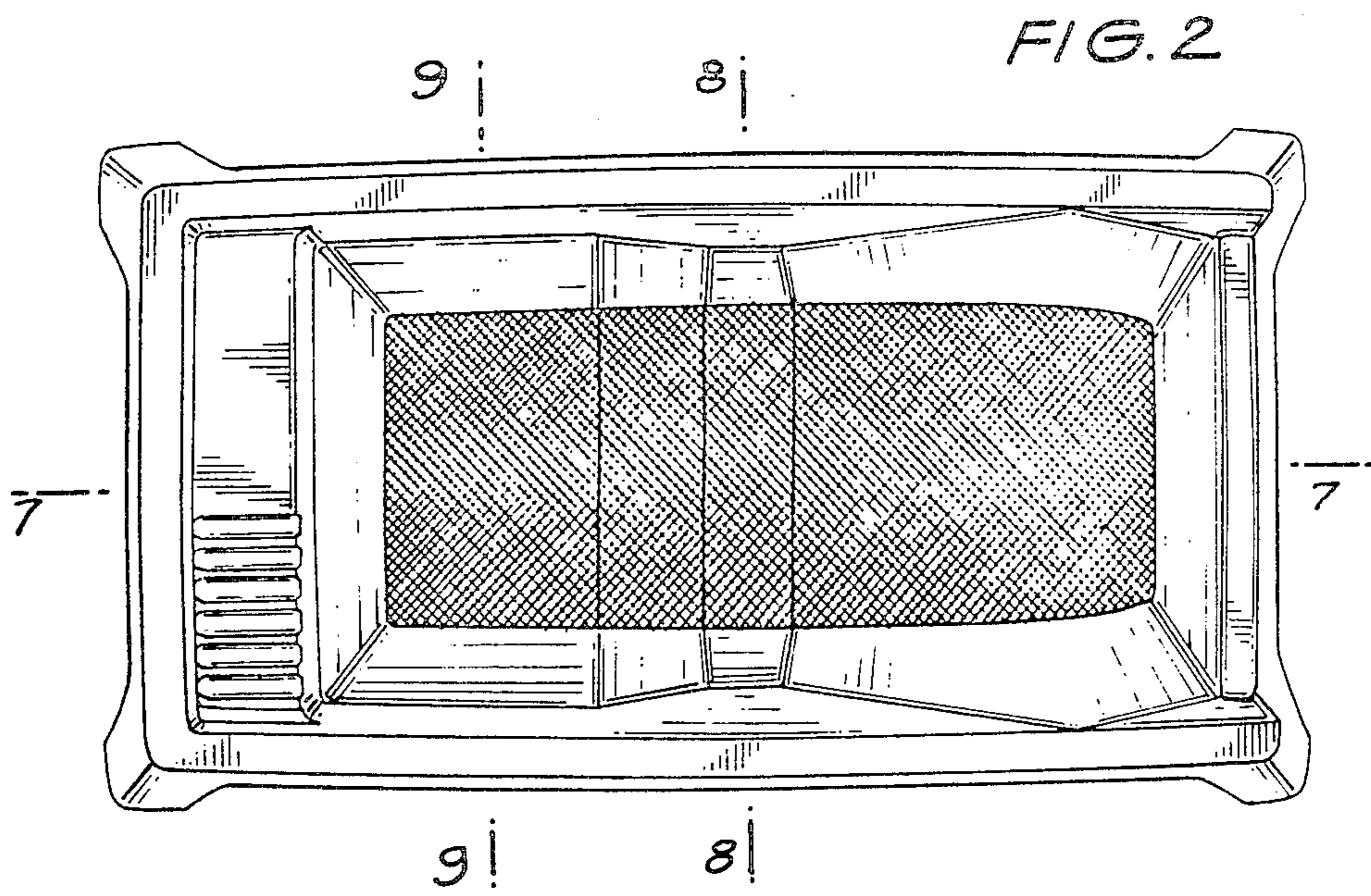


FIG. 2

9 | 8 |

7 - - 7

9 | 8 |

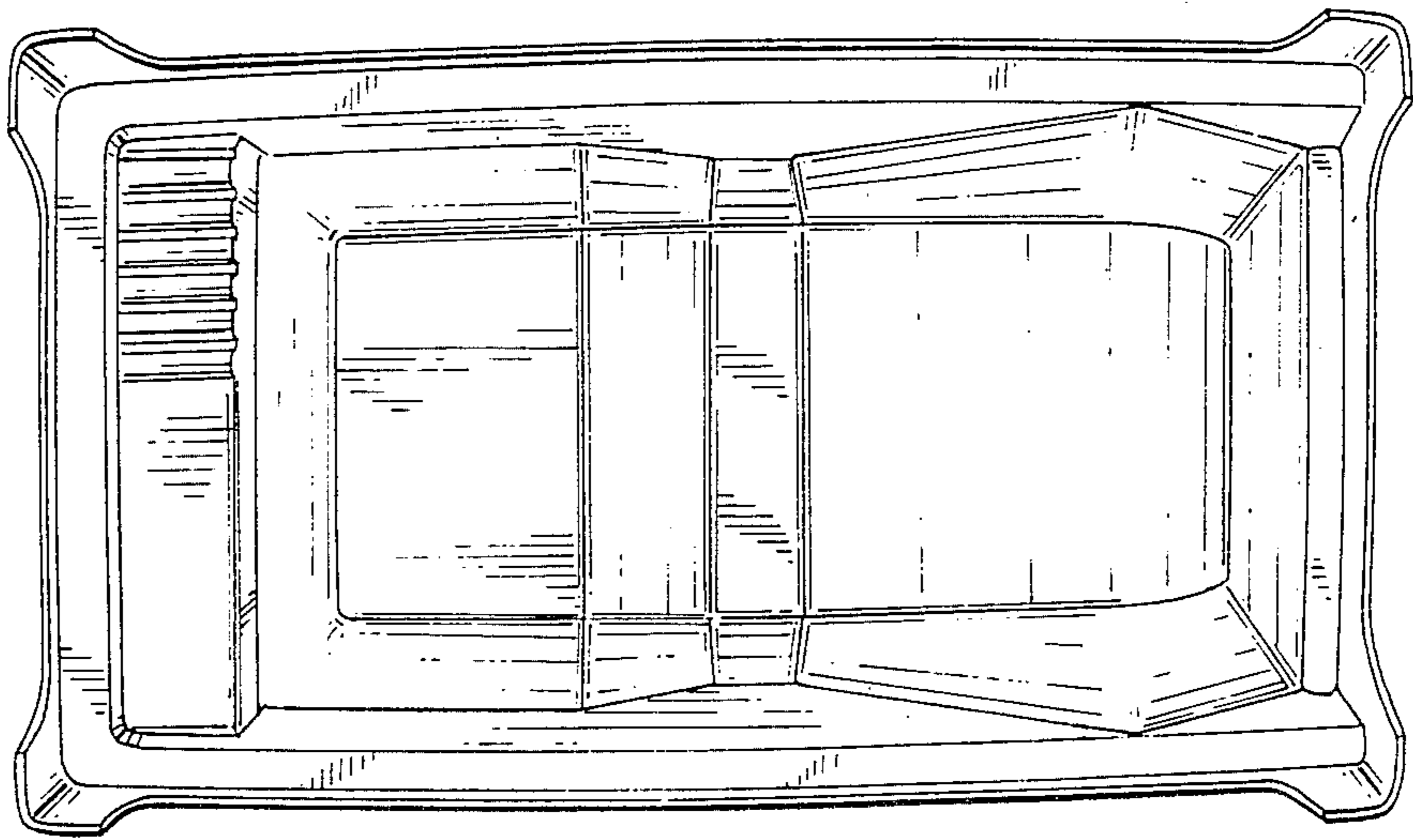


FIG. 3

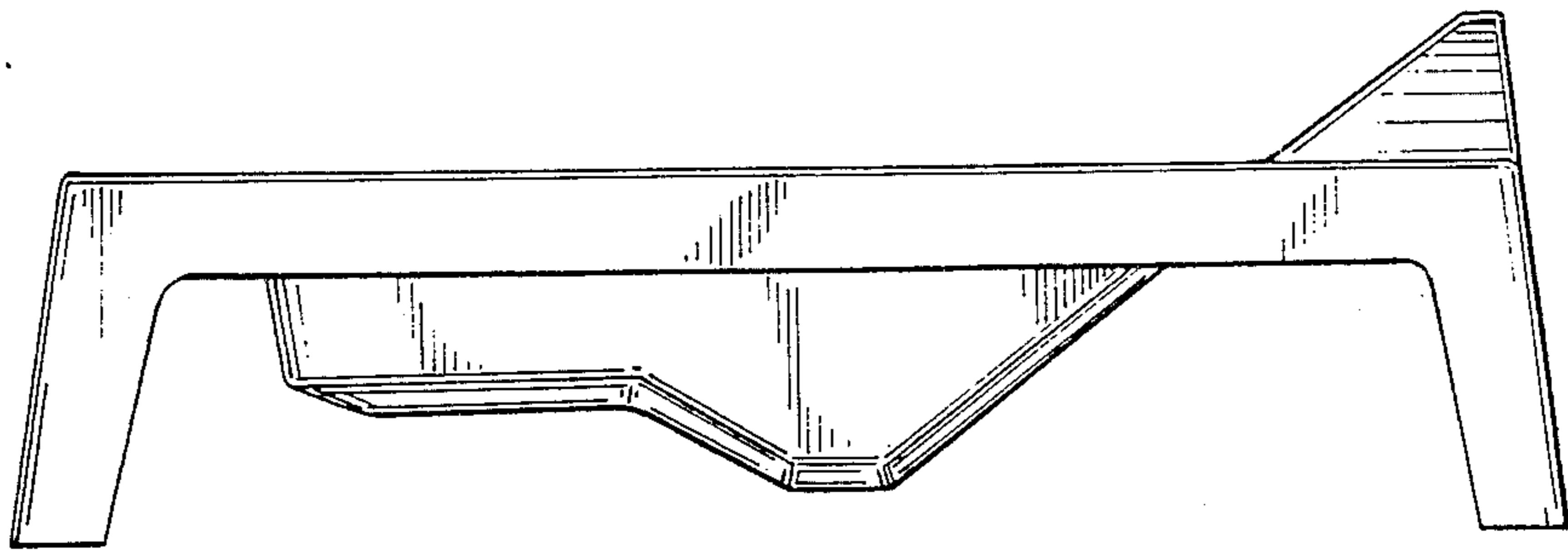


FIG. 4

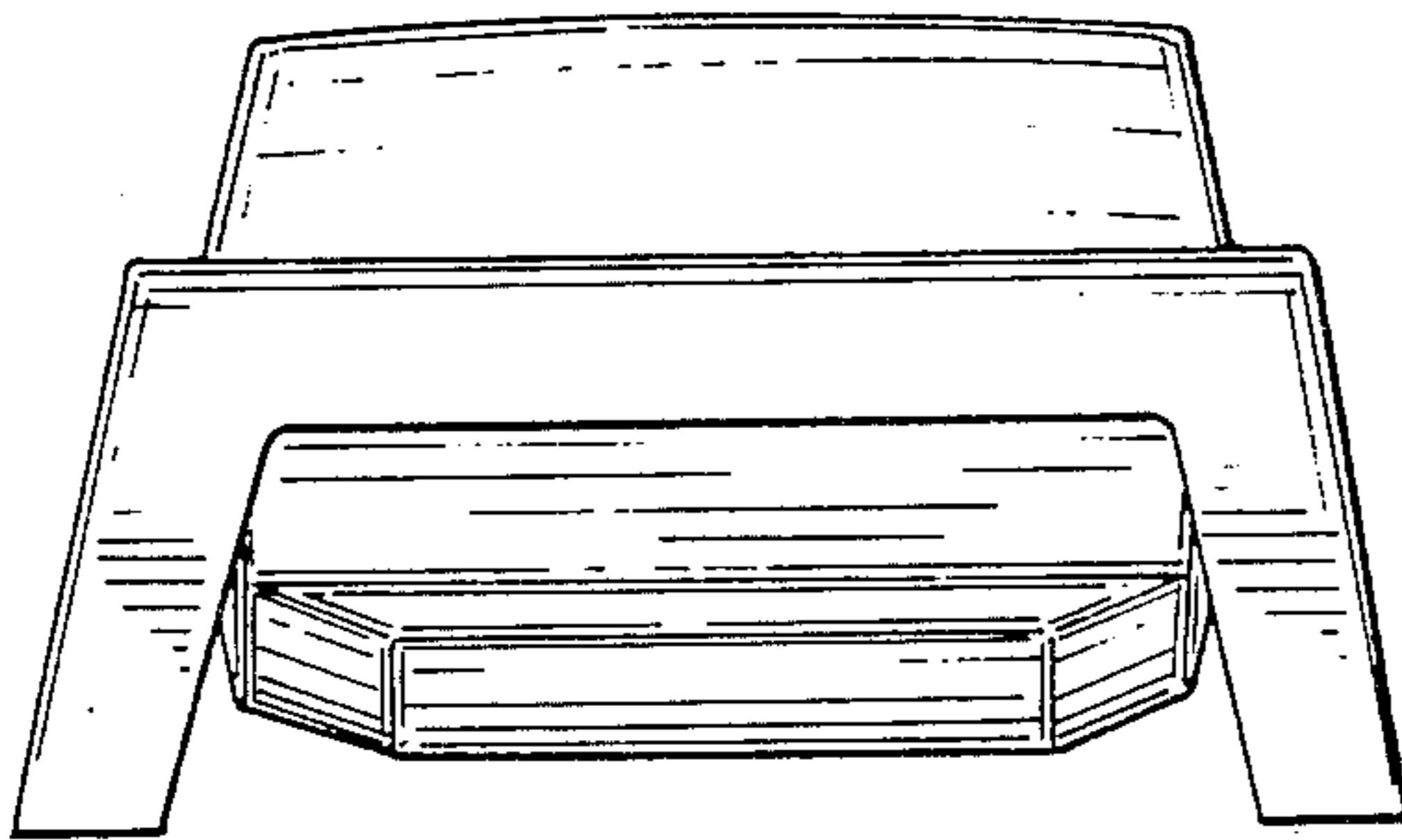


FIG. 5

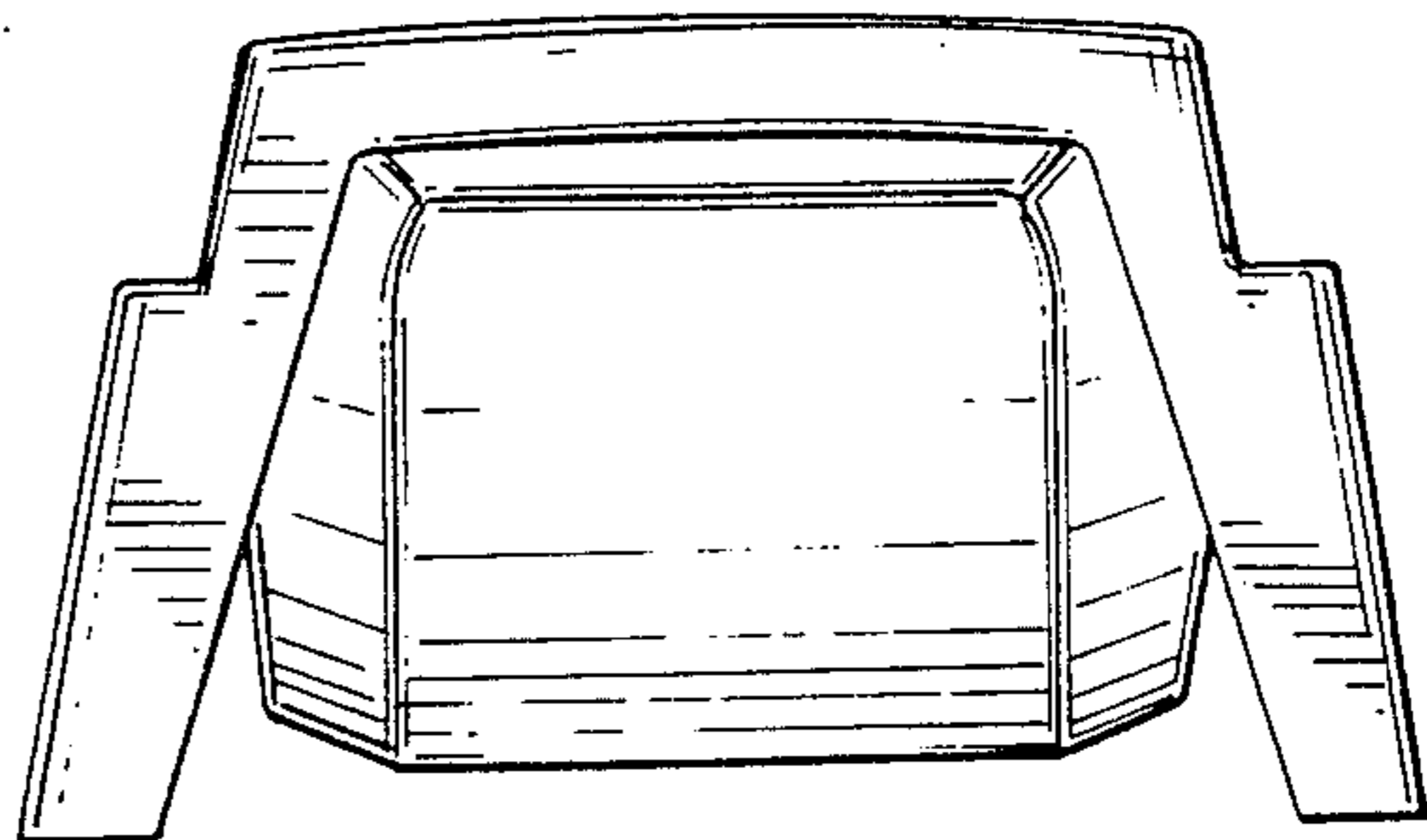


FIG. 6

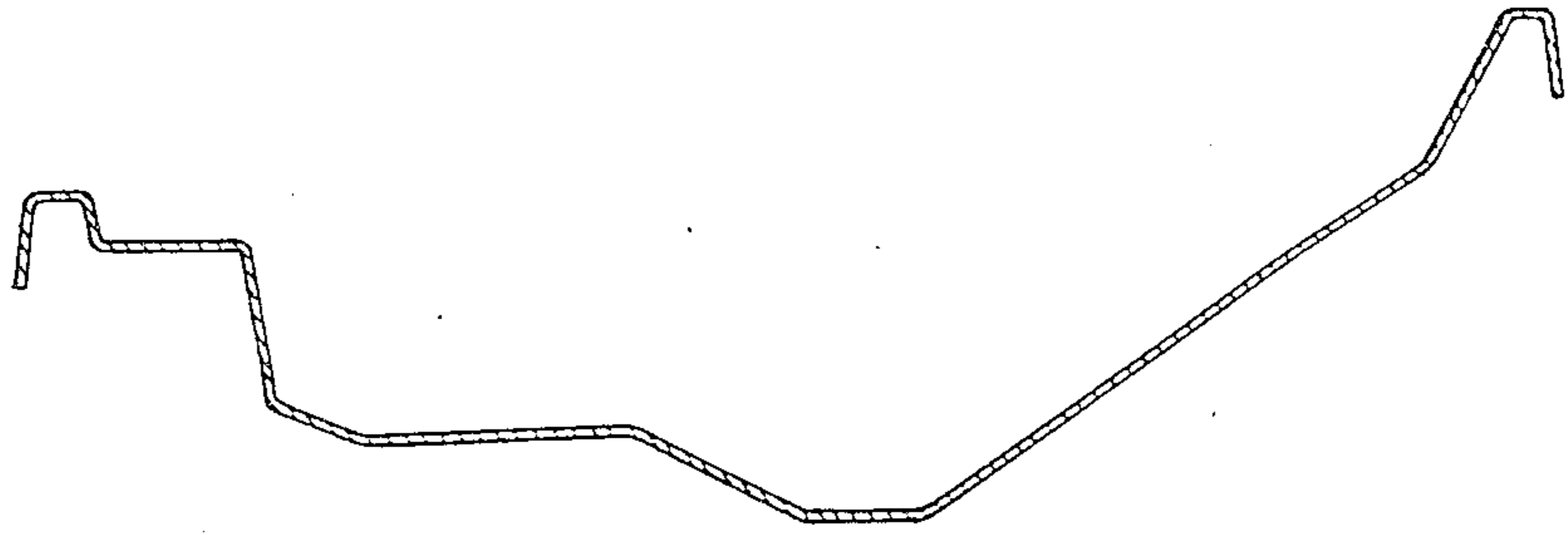


FIG. 7

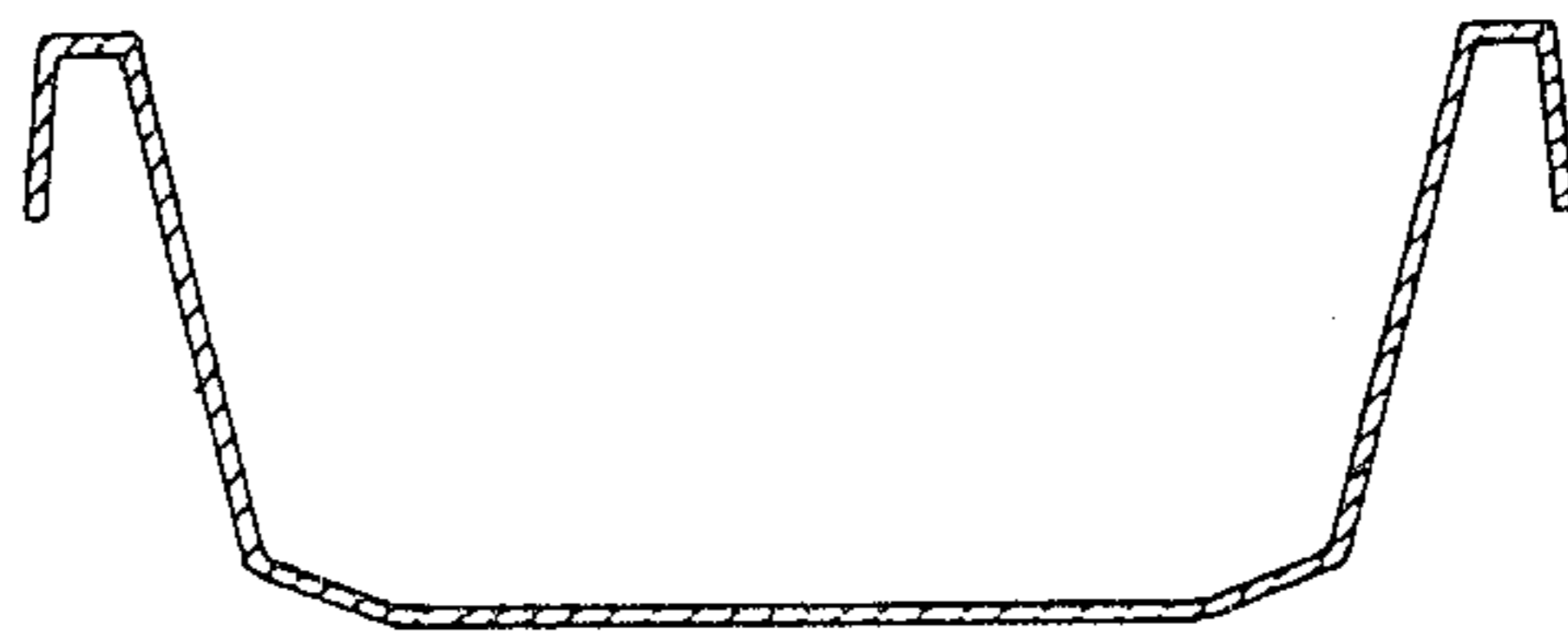


FIG. 8

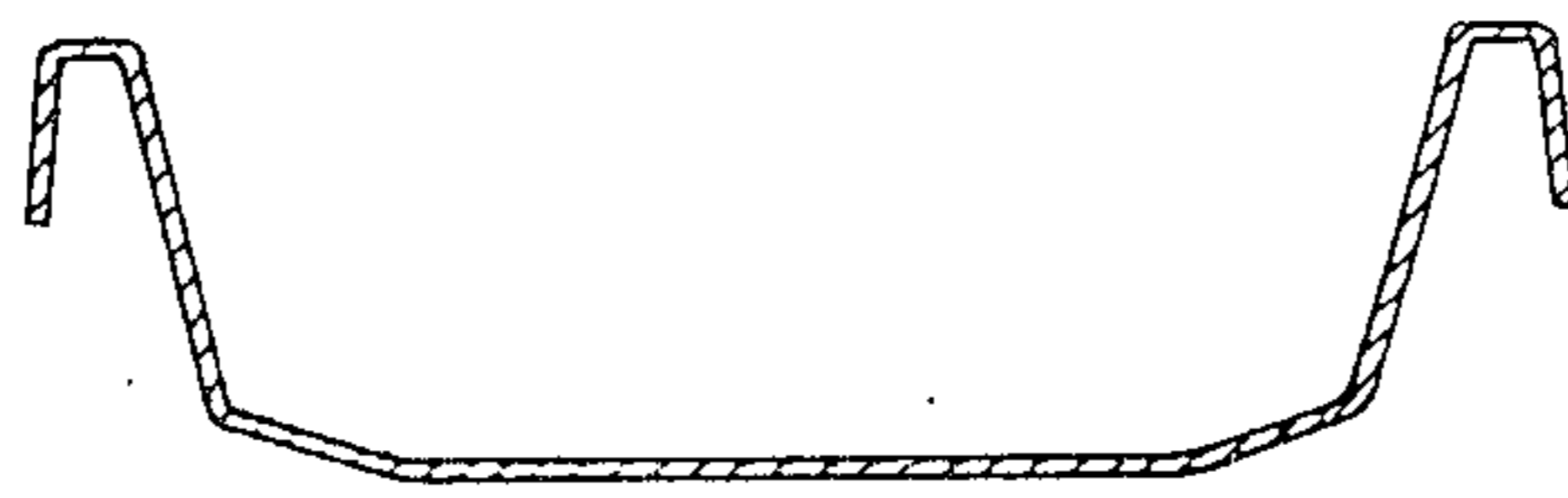


FIG. 9