

[54] FISHING LURE

[76] Inventor: John P. Millroy, 4300 NW. 18 Ave., Oakland Park, Fla. 33308

[**] Term: 14 Years

[21] Appl. No.: 618,269

[22] Filed: Jun. 5, 1984

[52] U.S. Cl. D22/129; D22/126

[58] Field of Search D22/126, 129; 43/42.16, 43/42.14, 42.19, 42.2, 42.36

[56] References Cited

U.S. PATENT DOCUMENTS

D. 217,603	5/1970	Self	D22/129
D. 225,324	12/1972	Royal	D22/126
D. 264,868	6/1982	Beavers	D22/128
2,665,516	1/1954	Race	43/42.51
2,737,750	3/1956	Pierce	43/42.35
2,926,451	3/1960	Leba	43/42.14
3,012,358	12/1961	Multanen	43/42.28
3,284,944	11/1966	Settle	D22/126 X
3,296,733	1/1967	McLean	43/42.36
3,643,368	2/1972	Pool	43/41.2
3,905,147	9/1975	Snipes	43/17.1
4,135,323	1/1979	Esten	43/42.16

4,416,080 11/1983 Morrissette 43/42.2

Primary Examiner—A. Hugo Word
Attorney, Agent, or Firm—Lowe, Price, LeBlanc,
Becker & Shur

[57] CLAIM

The ornamental design for a fishing lure, as shown and described.

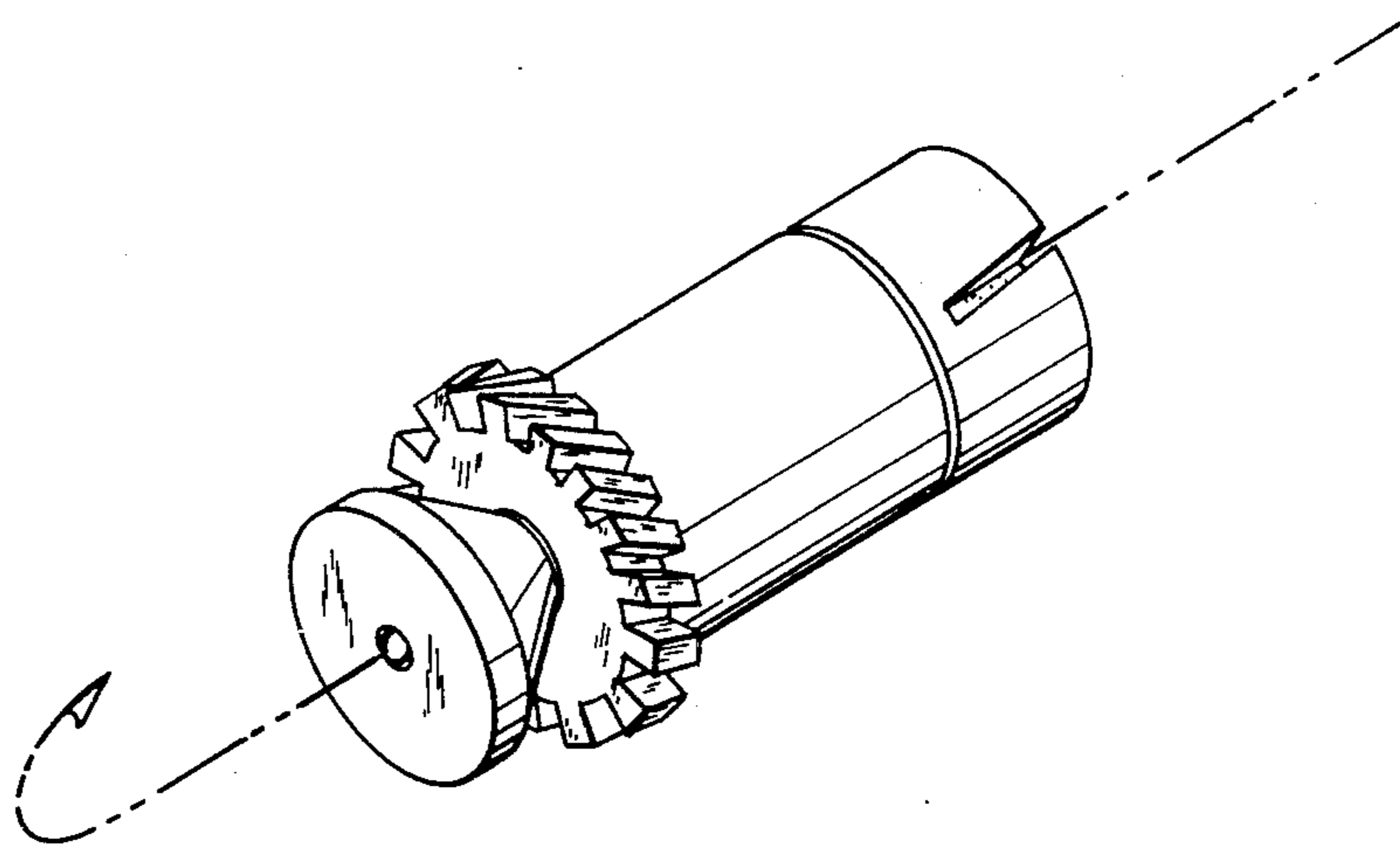
DESCRIPTION

FIG. 1 is a perspective view of a first embodiment of a fishing lure showing my new design, the broken line showing of the fishing line and hook is for illustrative purposes only and forms no part of the claimed design. FIG. 2 is a side view of the fishing lure shown in FIG. 1;

FIG. 3 is a front view of the fishing lure shown in FIGS. 1 and 2;

FIG. 4 is a rear view of the fishing lure shown in FIG. 1; and

FIG. 5 is a side elevational view of a second embodiment of a fishing lure according to the present invention wherein a pair of identical rotors are mounted for rotation on a shaft between a cylindrical head piece and conical tail piece, with the rotor separated from each other by a spacer element.



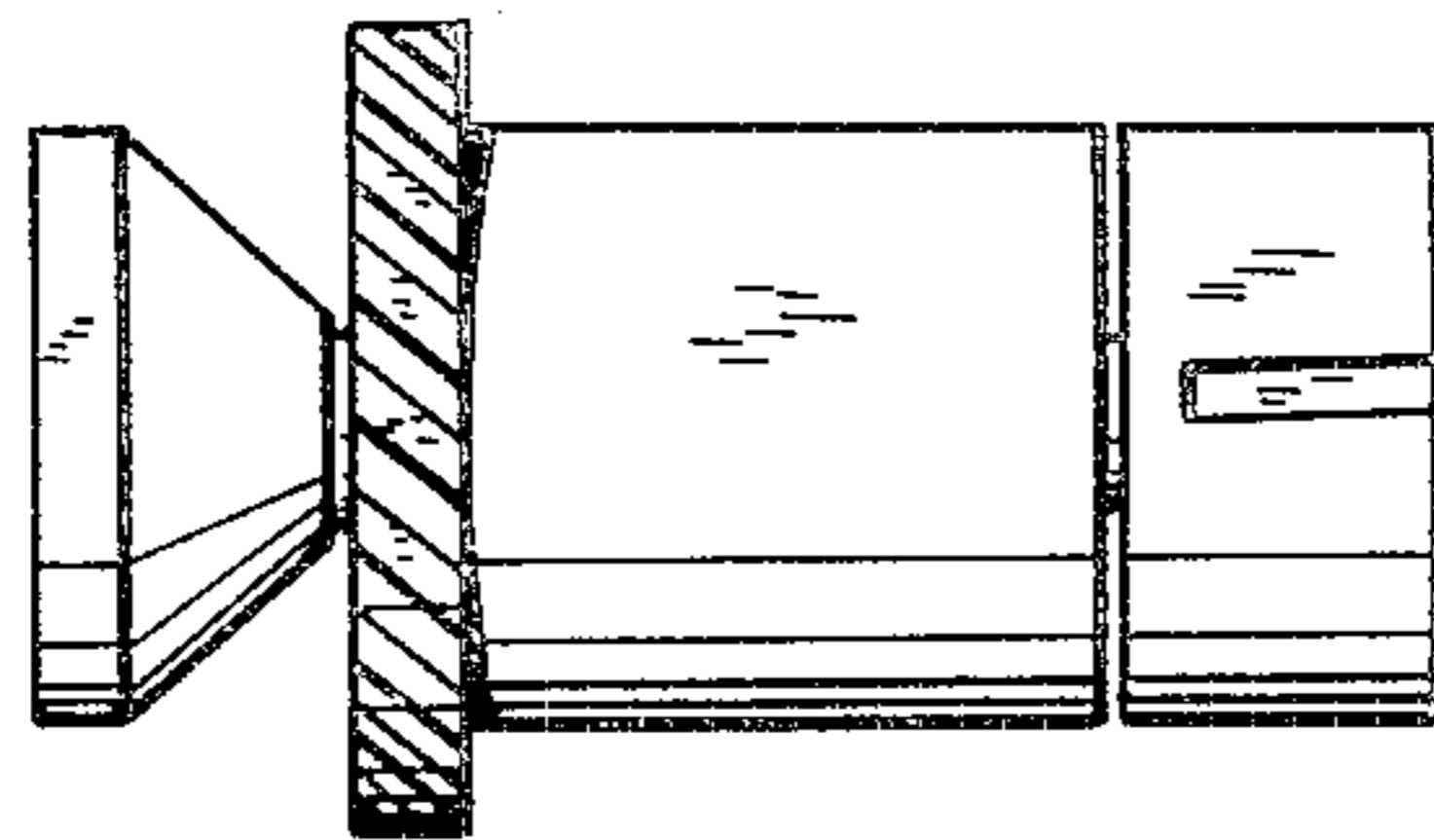
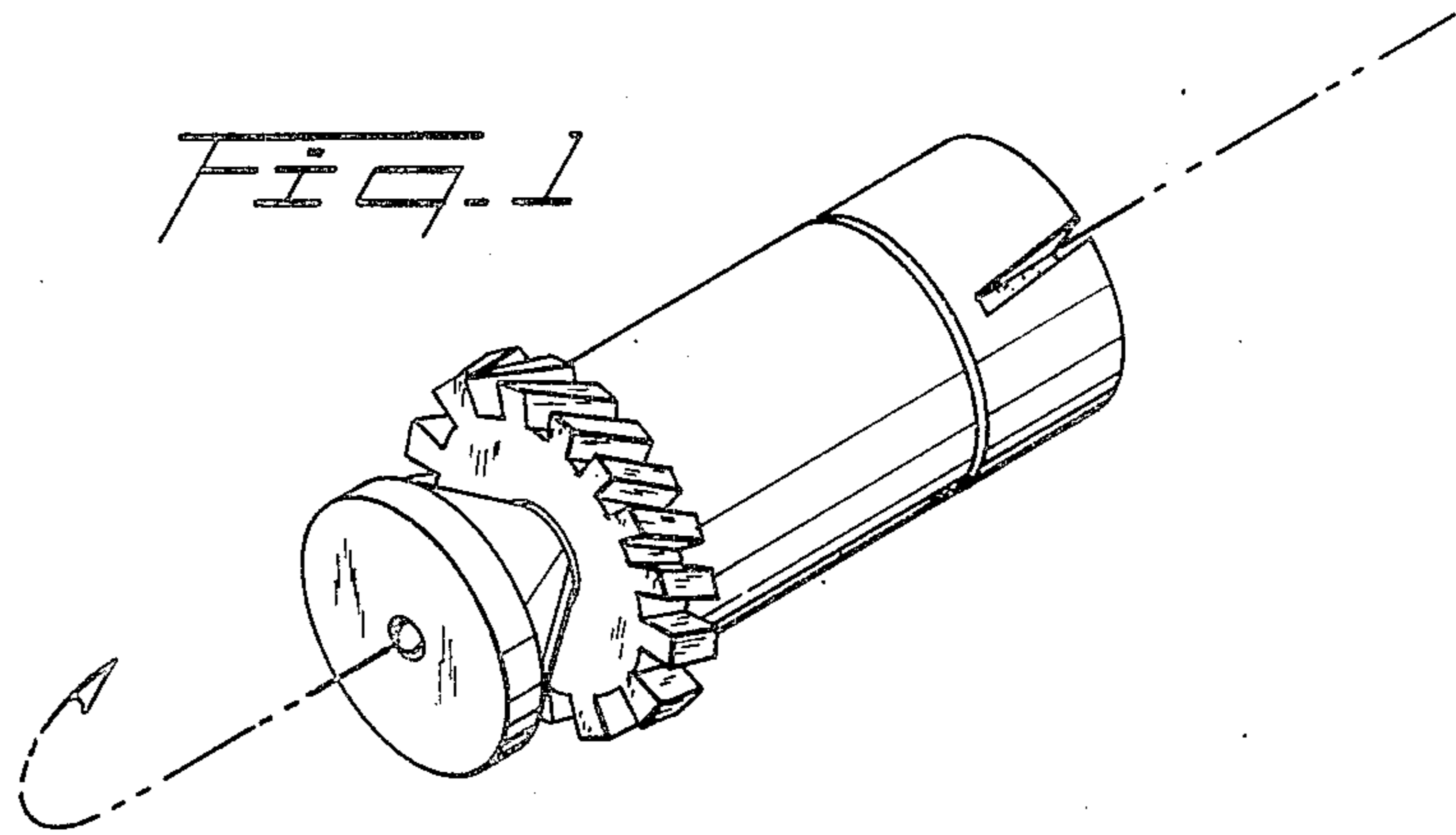


Fig. 2

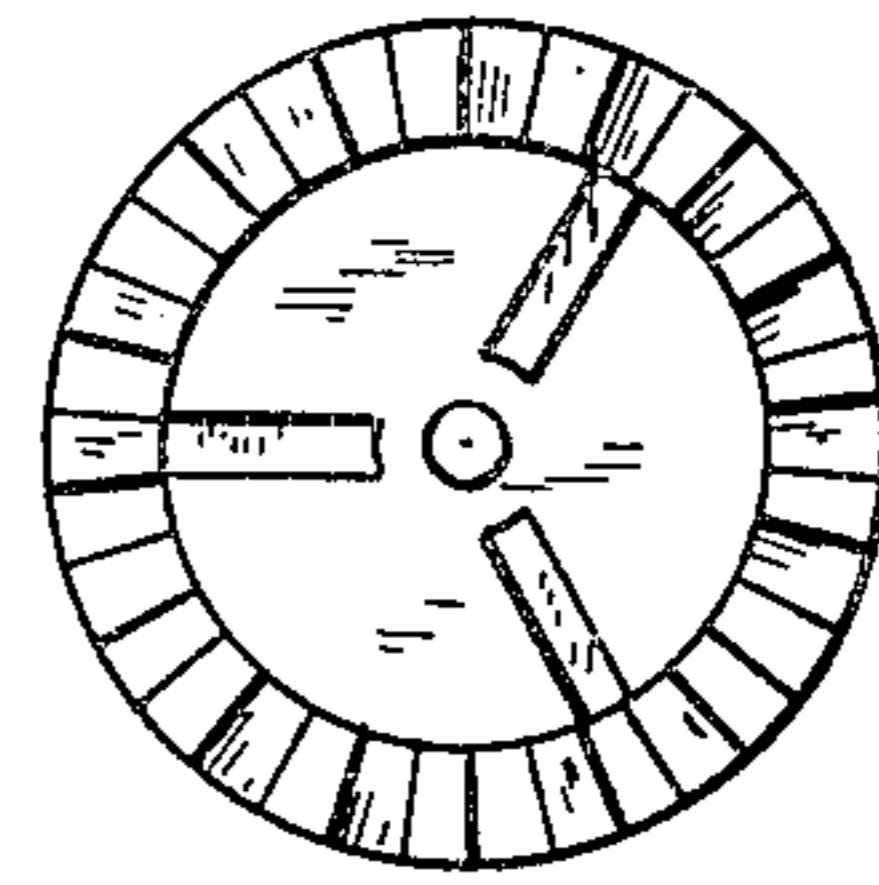


Fig. 3

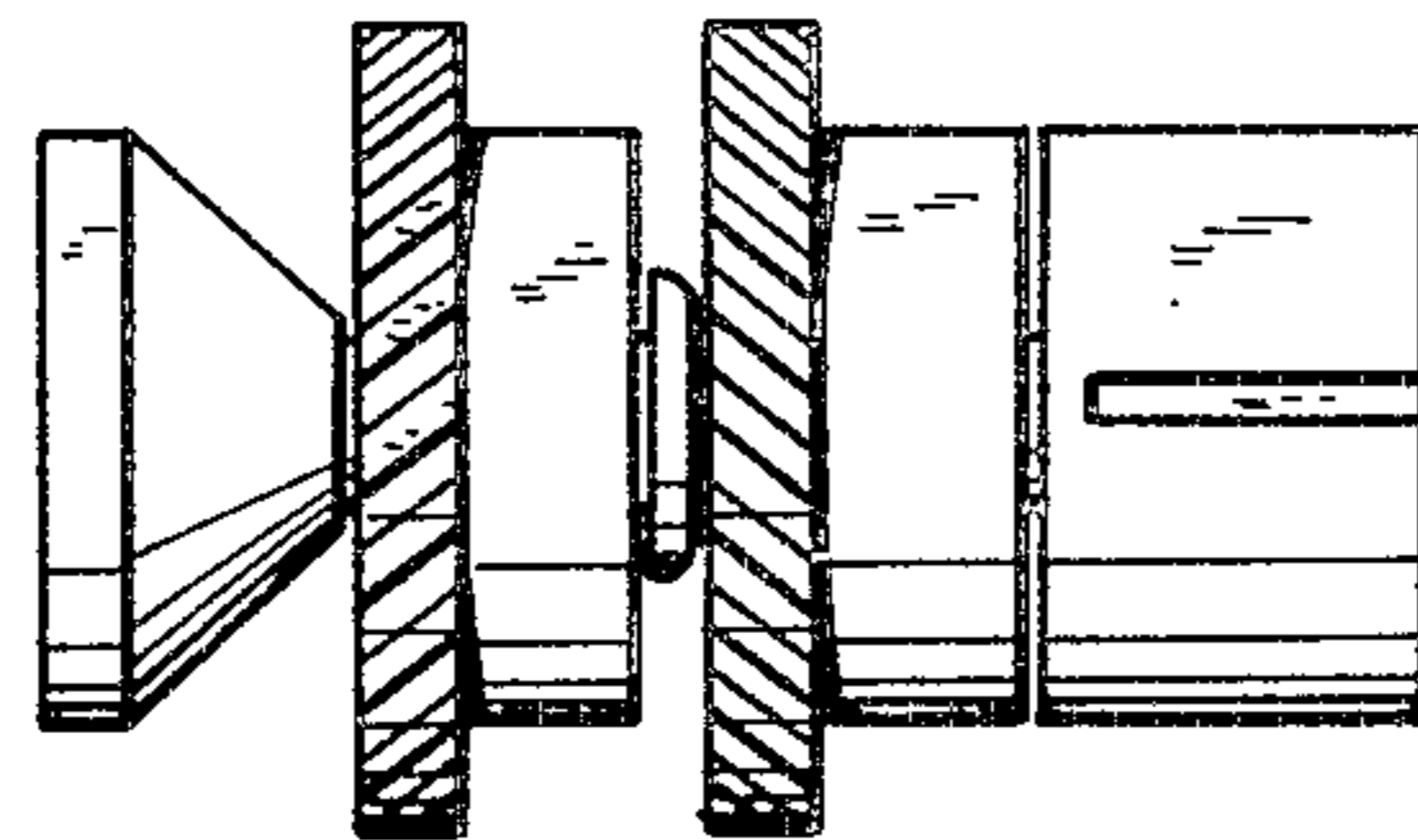


Fig. 5

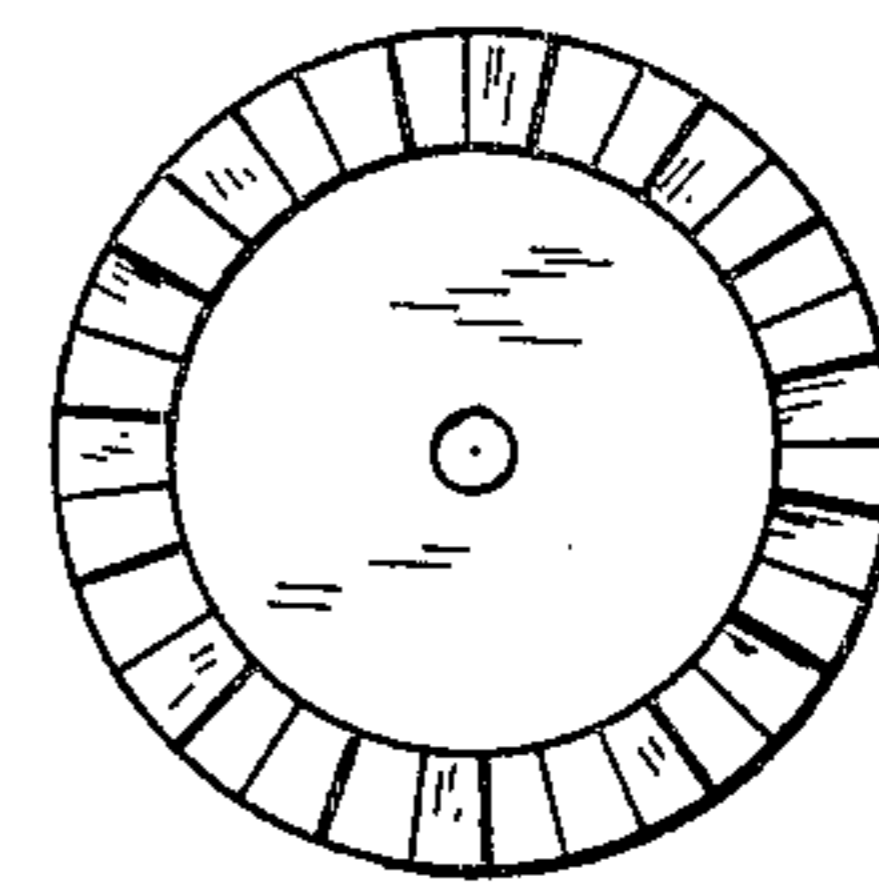


Fig. 4