

[54] **EXERCISE MACHINE**

[76] Inventors: **David L. Carey**, 13627 N. 18th Dr., Phoenix, Ariz. 85029; **Robert O. Riley**, 6835 E. Sheena Dr., Scottsdale, Ariz. 85254

[**] Term: **14 Years**

[21] Appl. No.: **699,563**

[22] Filed: **Feb. 8, 1985**

[52] U.S. Cl. **D21/195**

[58] Field of Search **D21/191-199;**
272/143, 144, 125, 133, 134, 136

[56] **References Cited**

U.S. PATENT DOCUMENTS

D. 262,811	1/1982	Lambert et al.	D21/195
4,072,309	2/1978	Wilson	272/142
4,231,568	11/1980	Riley et al.	272/142
4,492,375	1/1985	Connelly	272/143
4,582,320	4/1986	Shaw	272/143

Primary Examiner—Charles A. Rademaker
Attorney, Agent, or Firm—William H. Drummond

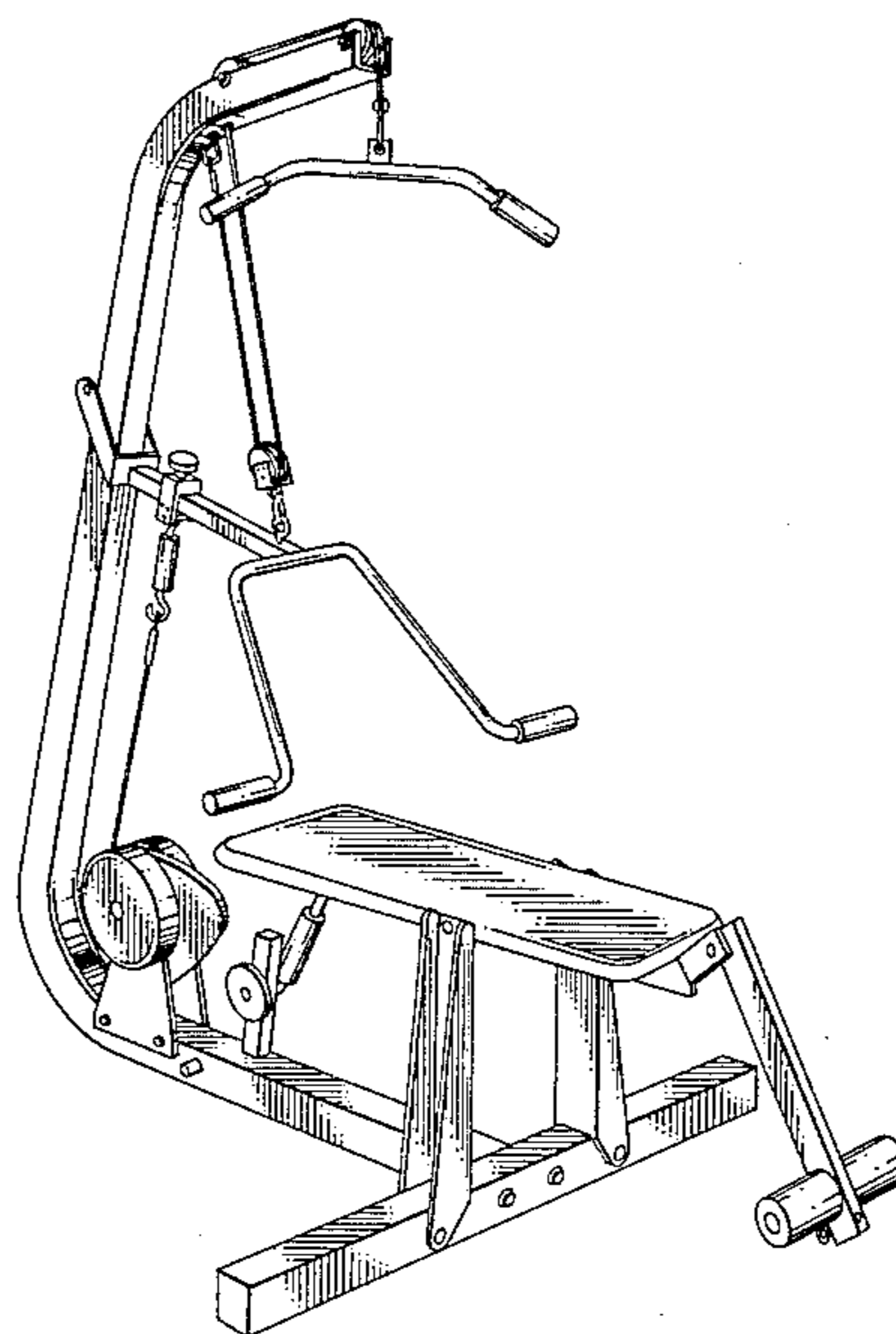
[57] **CLAIM**

The ornamental design for the exercise machine, as shown and described.

DESCRIPTION

FIG. 1 is a perspective view of an exercise machine showing our new design, the side opposite being substantially a mirror image;

FIG. 2 is a front elevational view thereof; and, FIG. 3 is a top plan view thereof.



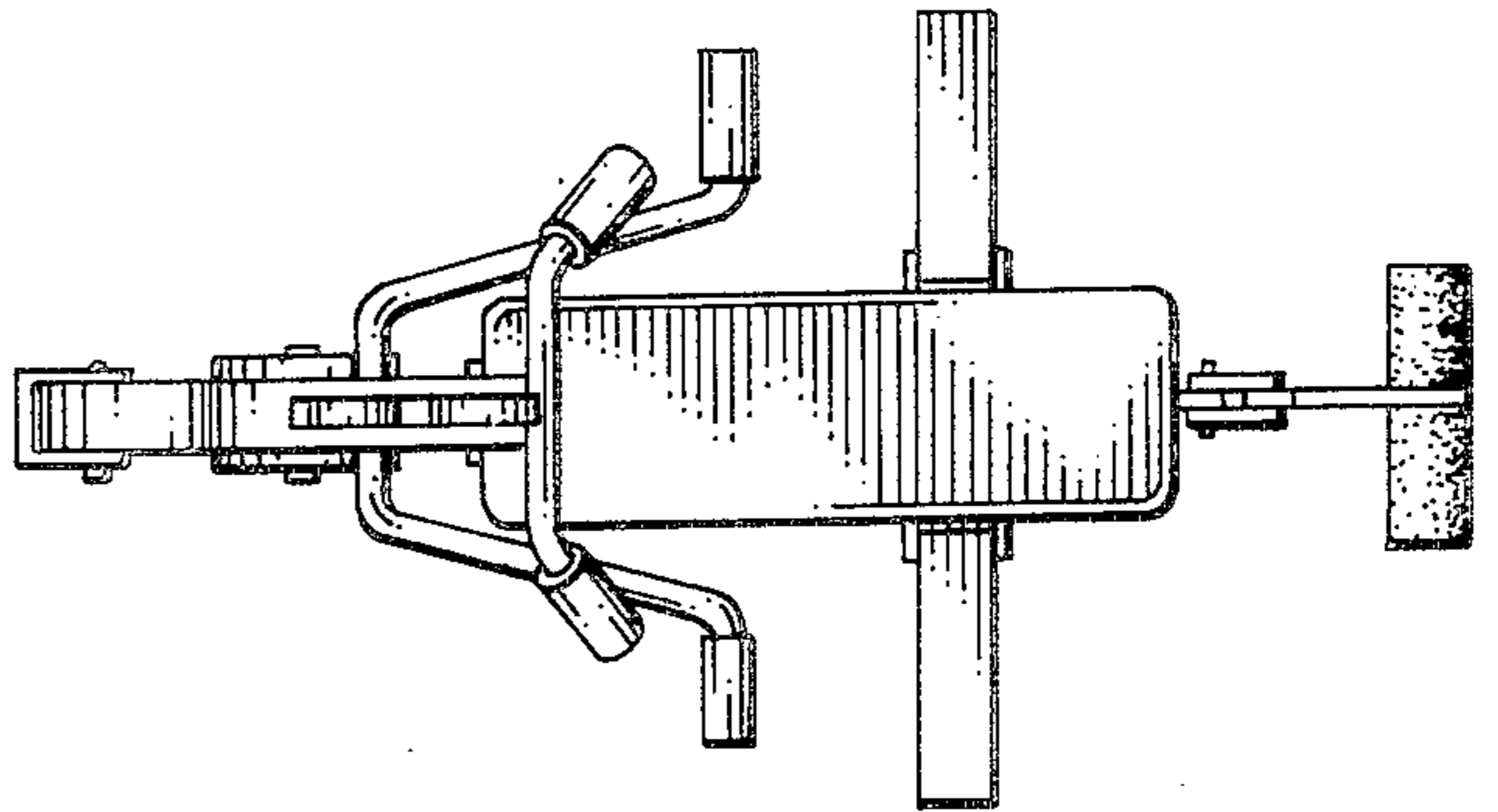
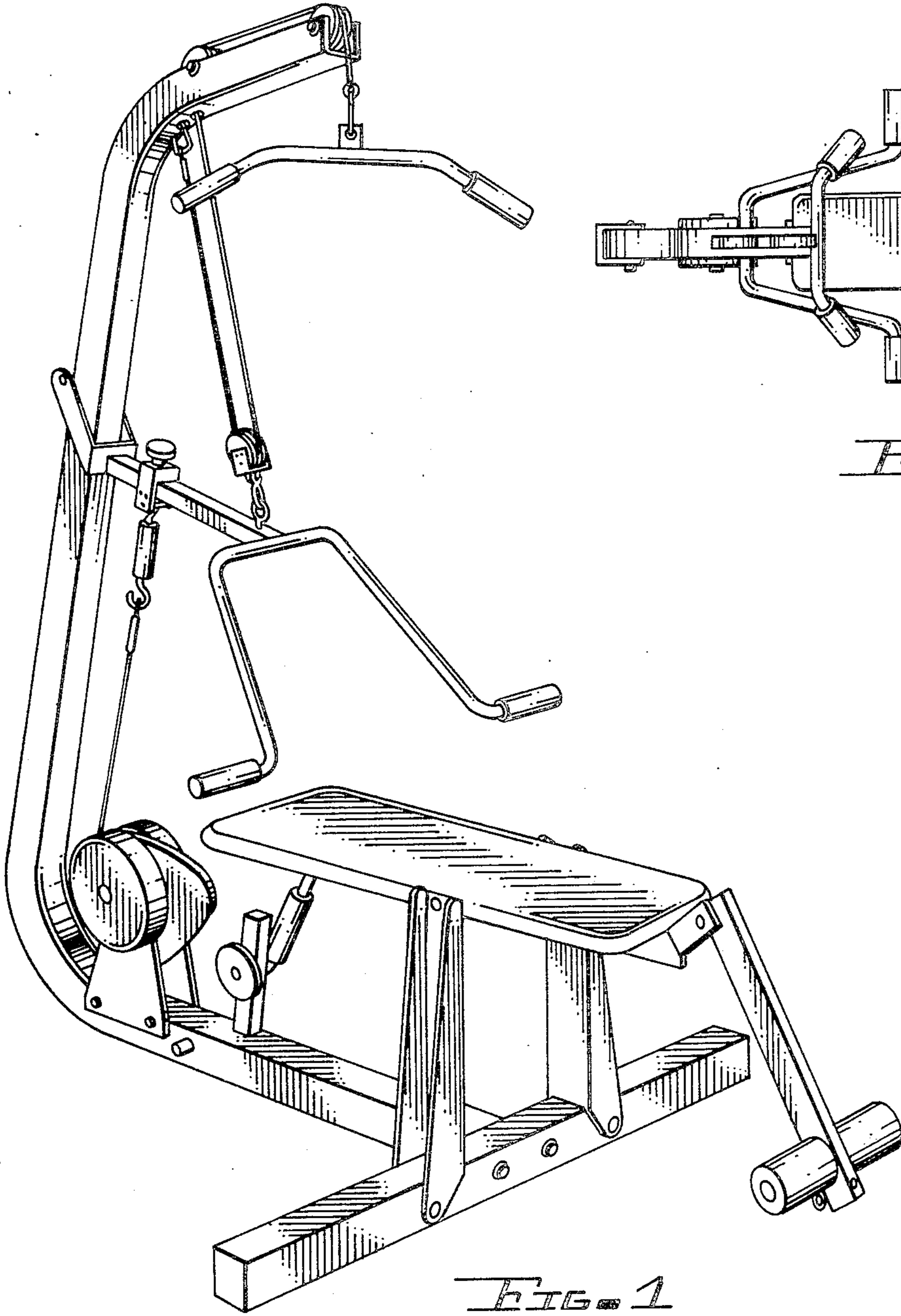


FIG. 2

