

[54] PHYSICAL EXERCISER

[76] Inventor: Pantti K. Pappinen, Kummunkatu 4, 83500 Outokumpu, Finland

[\*\*] Term: 14 Years

[21] Appl. No.: 680,778

[22] Filed: Dec. 12, 1984

[30] Foreign Application Priority Data

Jun. 13, 1984 [FI] Finland ..... 607/84

[52] U.S. Cl. .... D21/195

[58] Field of Search ..... 272/143, 144, 125, 134, 272/133, 136

[56] References Cited

U.S. PATENT DOCUMENTS

- D. 239,642 4/1976 Clarke ..... D21/195
- D. 262,811 1/1982 Lambert et al. .... D21/195
- D. 262,812 1/1982 Lambert et al. .... D21/195

D. 284,297 6/1986 Mahnke ..... D21/195

OTHER PUBLICATIONS

Sporting Goods Dealer, 4-1981, p. 102, Exercise Benches.

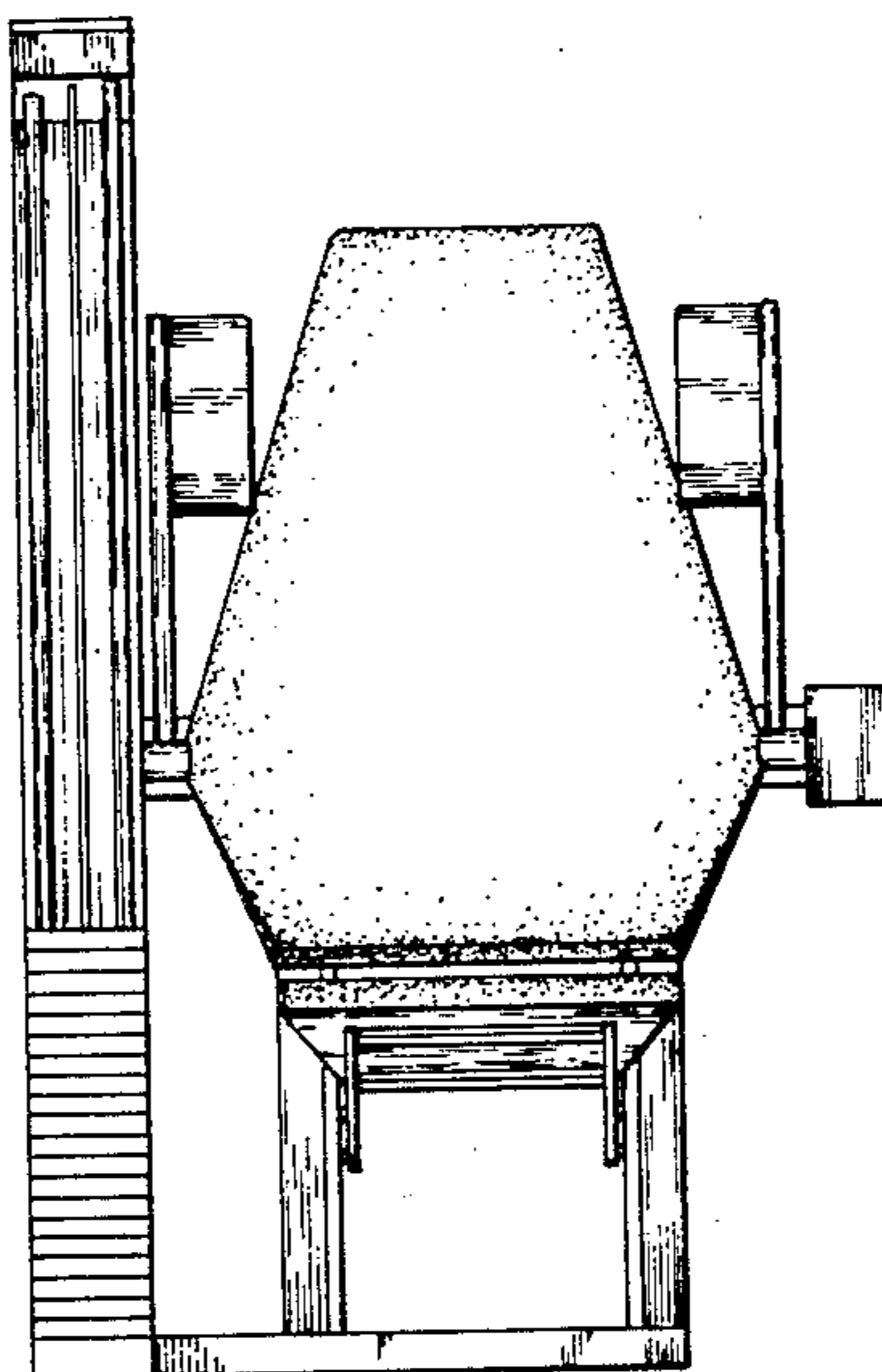
Primary Examiner—Charles A. Rademaker  
Attorney, Agent, or Firm—Browdy and Neimark

[57] CLAIM

The ornamental design for a physical exerciser, as shown.

DESCRIPTION

FIG. 1 is a front elevational view of a physical exerciser showing my new design;  
 FIG. 2 is a rear elevational view thereof;  
 FIG. 3 is a left side elevational view thereof;  
 FIG. 4 is a right side elevational view thereof;  
 FIG. 5 is a top plan view thereof; and  
 FIG. 6 is a bottom plan view thereof.



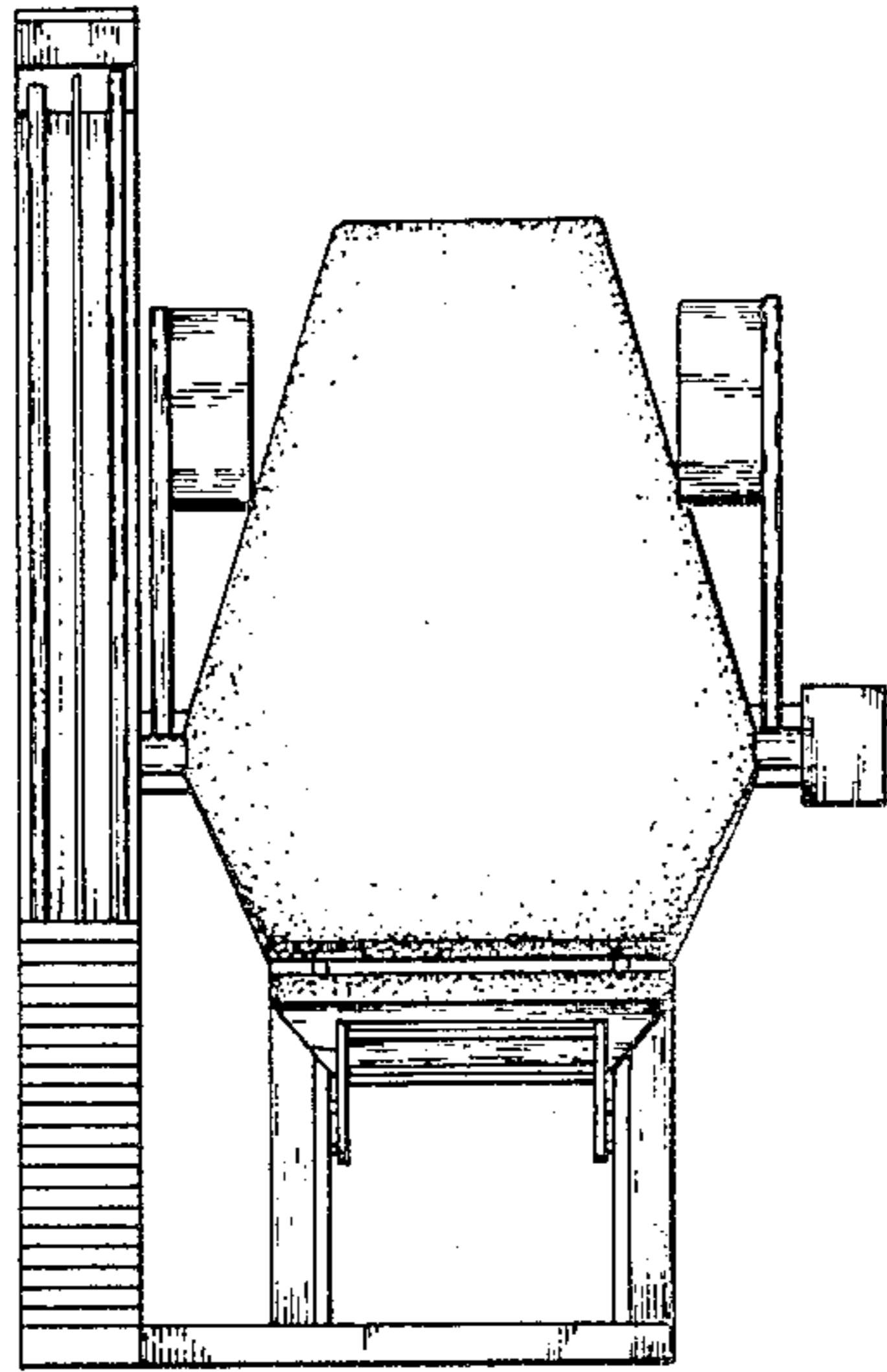


Fig. 1

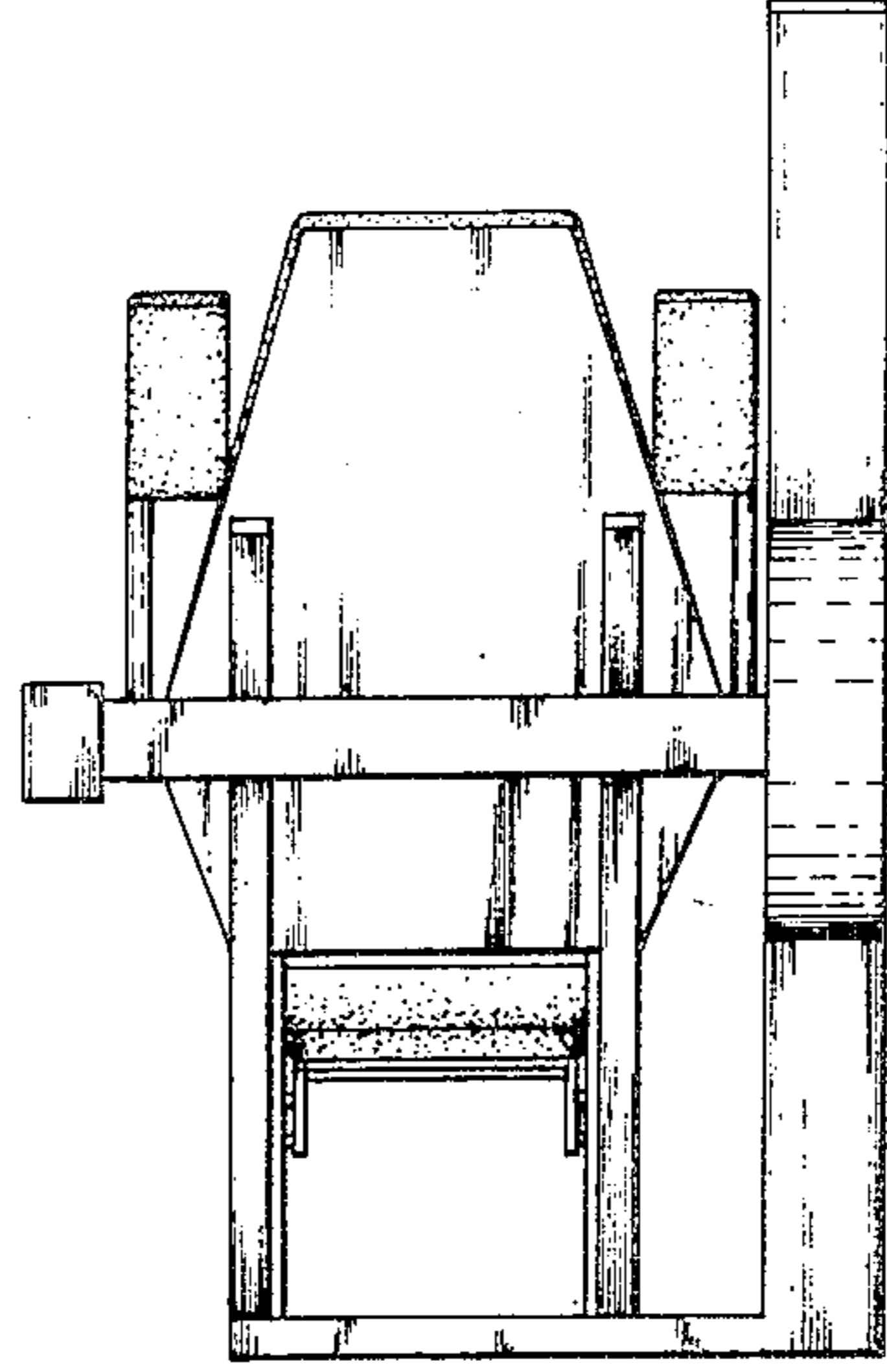


Fig. 2

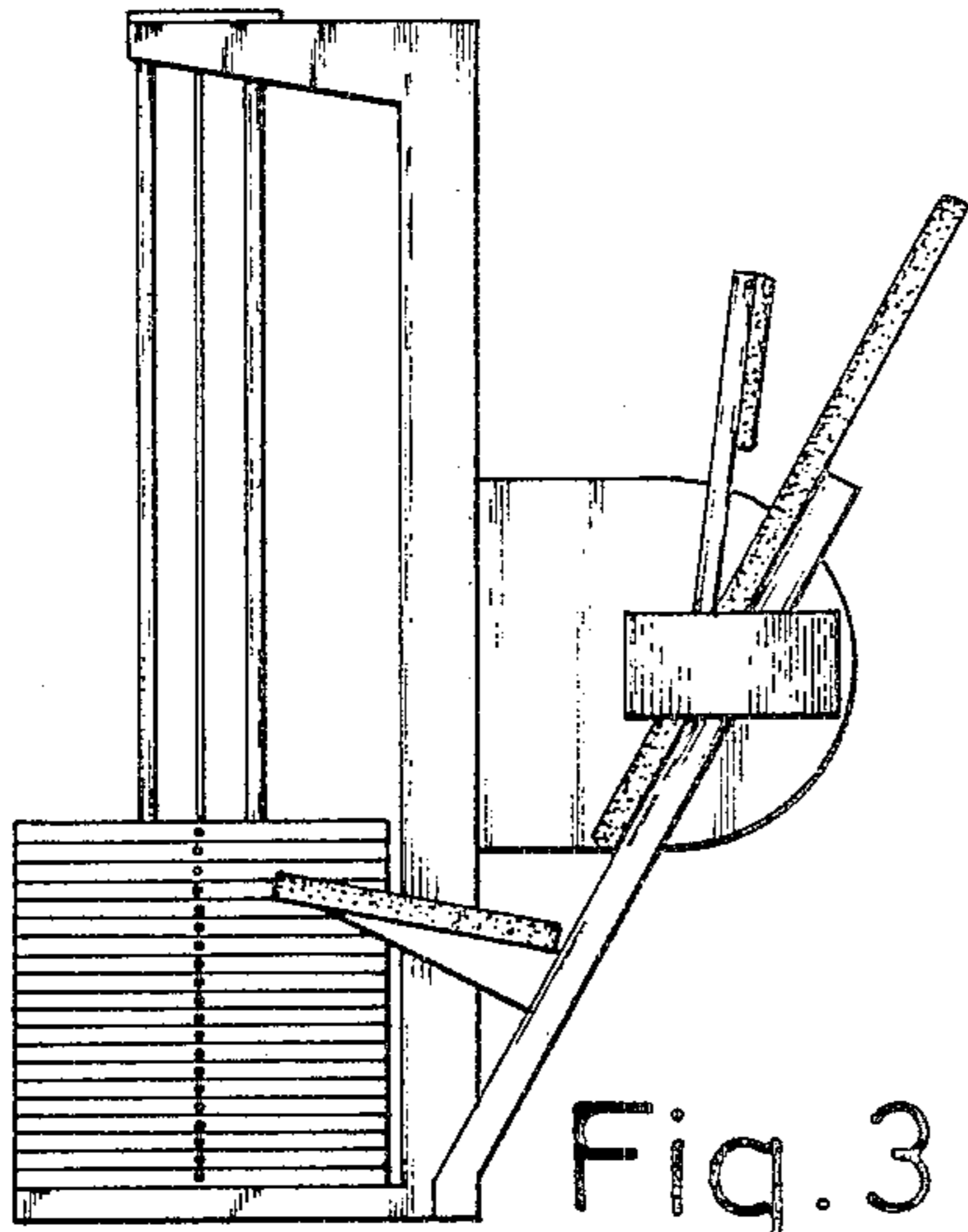


Fig. 3

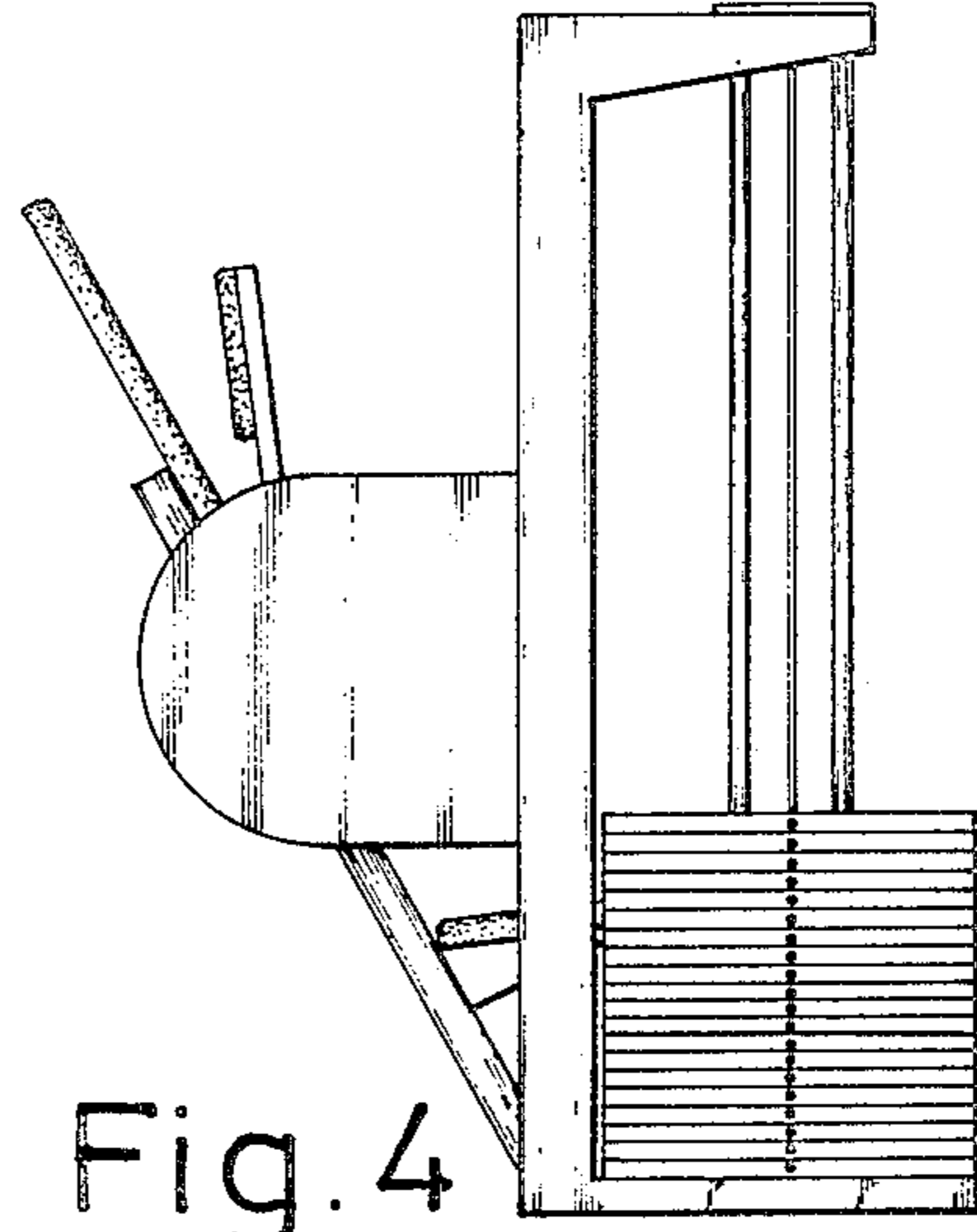


Fig. 4

Fig. 5

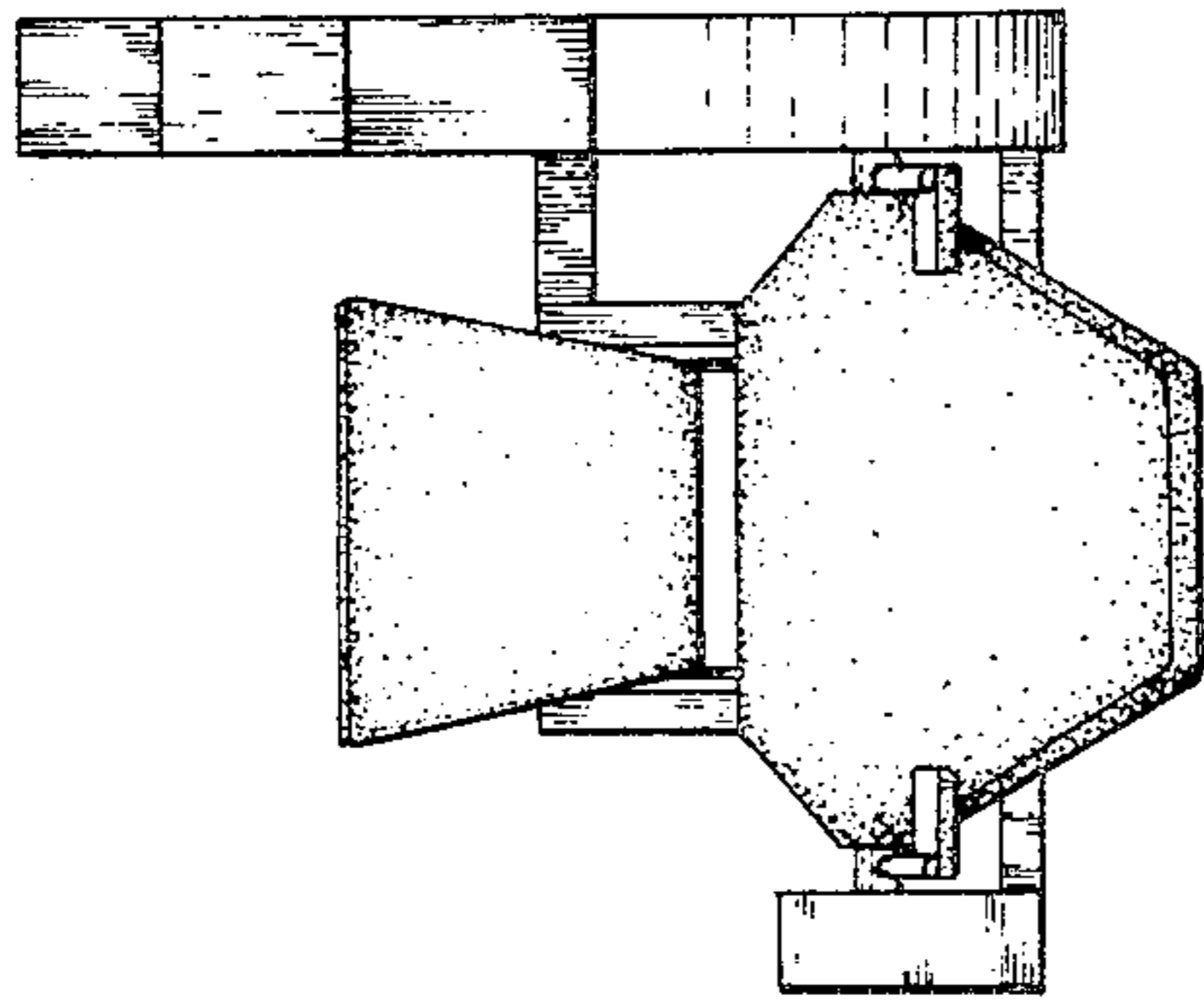


Fig. 6

