

[54] **EXERCISER FRAME**

[75] Inventors: **Eugene J. Szymiski, Skokie; Rene Mraz, Evanston, both of Ill.**

[73] Assignee: **Exclesior Fitness Equipment Co., Northbrook, Ill.**

[\*\*] Term: **14 Years**

[21] Appl. No.: **555,201**

[22] Filed: **Nov. 25, 1983**

[52] U.S. Cl. .... **D21/194**

[58] Field of Search ..... **D21/194; 272/70.3, 73, 272/132; 73/379; D12/111, 117-119**

[56] **References Cited**

**U.S. PATENT DOCUMENTS**

D. 218,338	8/1970	Dimick et al. ....	D21/3
D. 220,024	2/1971	Fujiyoshi .....	D12/111
D. 225,070	11/1972	Proctor .....	D21/2
D. 229,077	11/1973	Scalingi et al. ....	D21/2
D. 233,160	10/1974	Jouk .....	D21/194
D. 234,305	2/1975	Woods et al. ....	D21/2
D. 243,028	1/1977	Proctor .....	D21/3
D. 254,679	4/1980	Gustafson .....	D21/2
D. 257,515	11/1980	Faux .....	D21/2
D. 262,302	12/1981	Disbrow et al. ....	D21/2
D. 275,589	9/1984	Gustafsson .....	D21/194
3,664,027	5/1972	Fritz et al. ....	272/73
3,833,216	9/1974	Philbin .....	272/73
3,861,715	1/1975	Mendoza .....	280/260

3,939,932	2/1976	Rosen .....	180/330
3,995,491	12/1976	Wolfla .....	272/73
4,007,927	2/1977	Proctor .....	272/73
4,313,602	2/1982	Sullivan .....	272/73

**FOREIGN PATENT DOCUMENTS**

2436594	of 1976	Fed. Rep. of Germany .
2108579	of 1972	France .

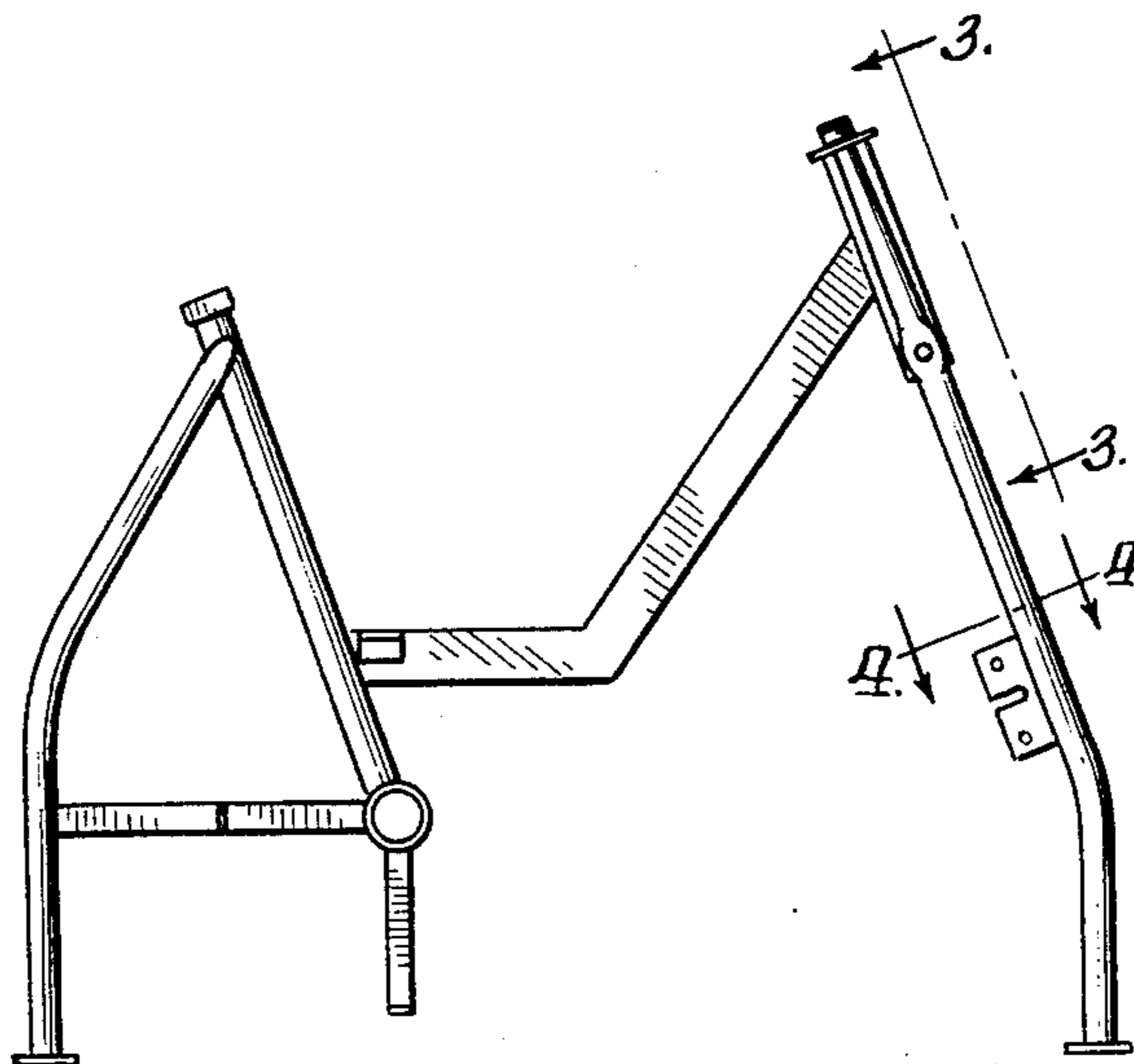
*Primary Examiner*—Charles A. Rademaker  
*Attorney, Agent, or Firm*—McCaleb, Lucas & Brugman

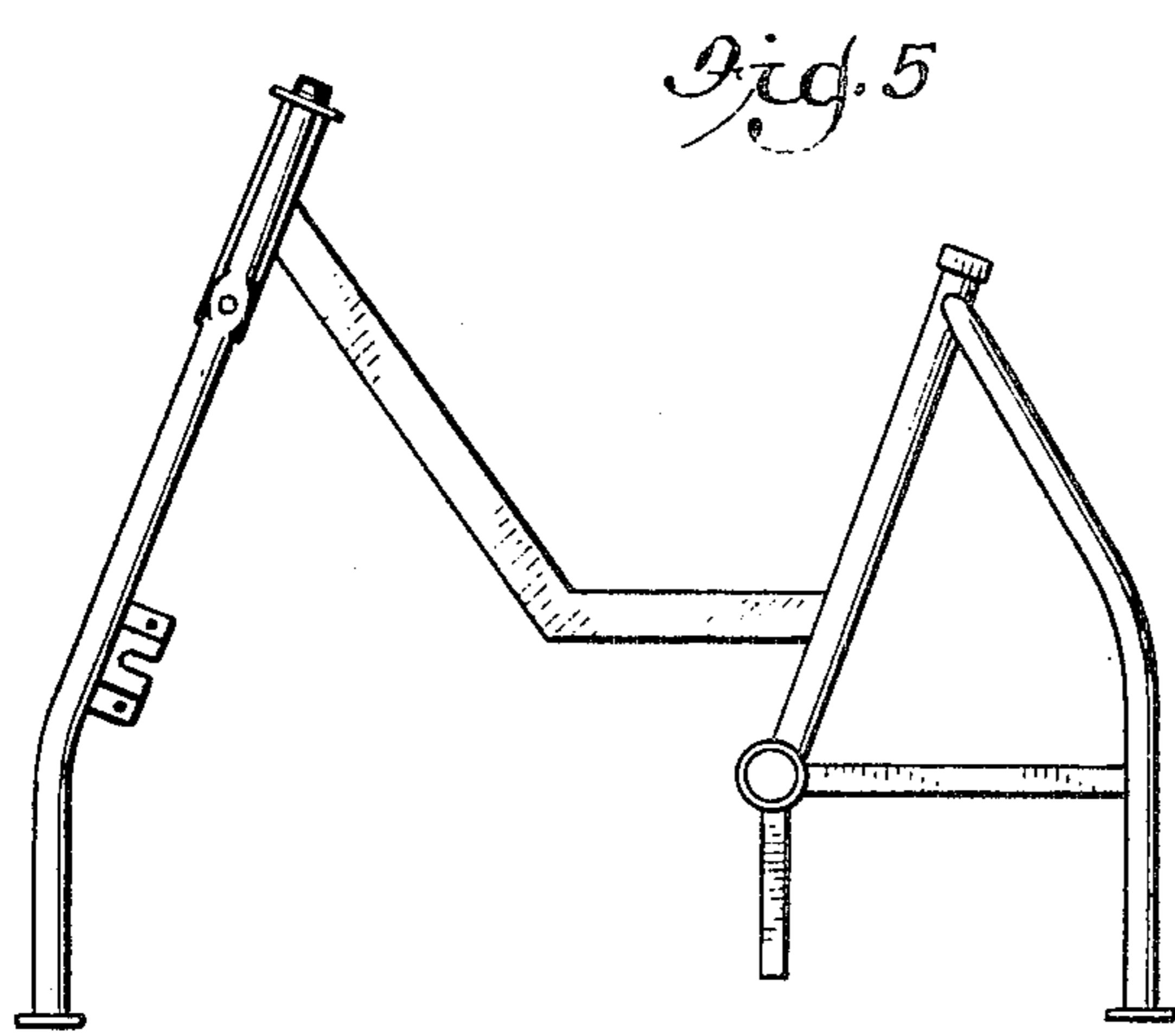
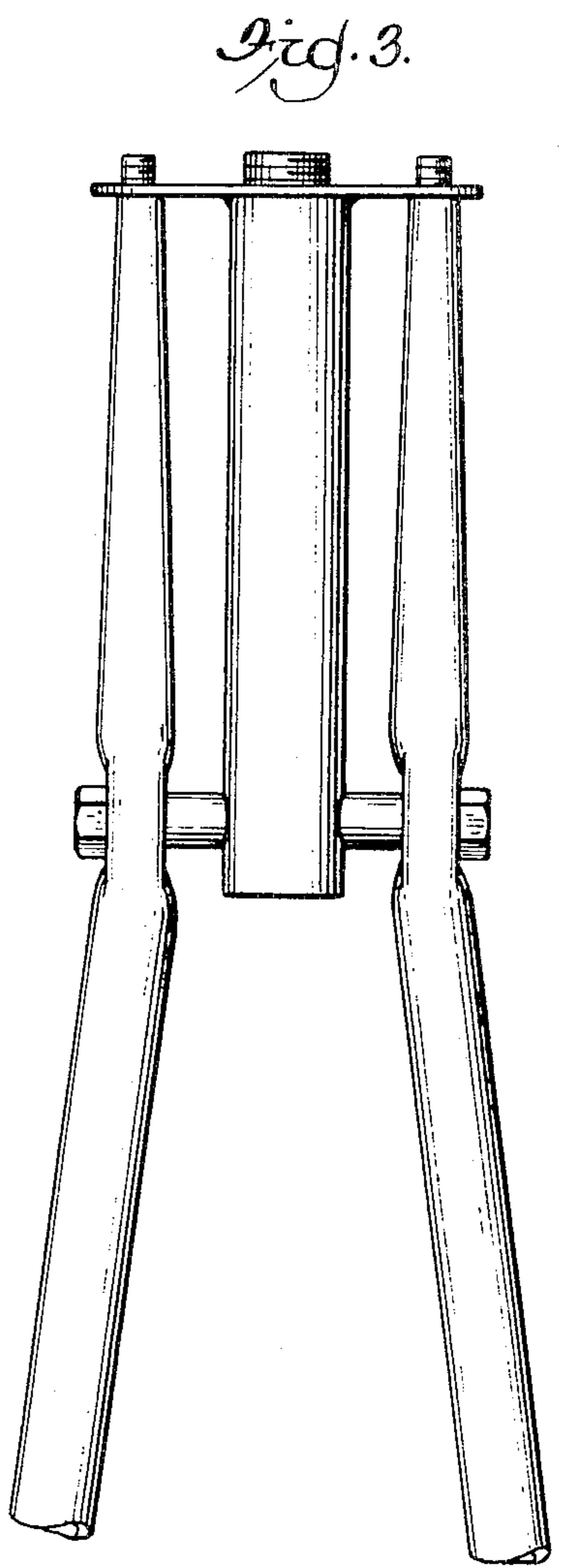
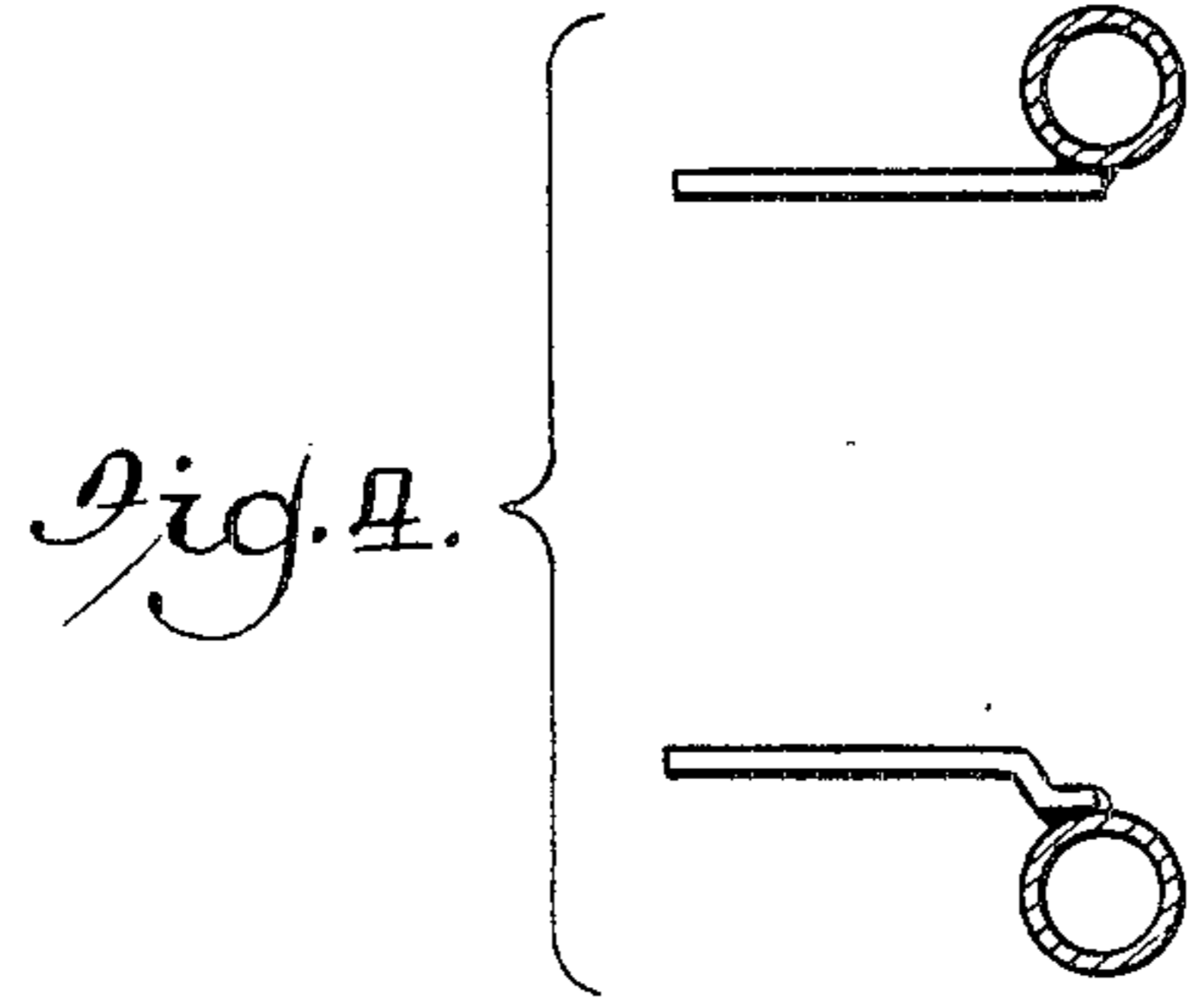
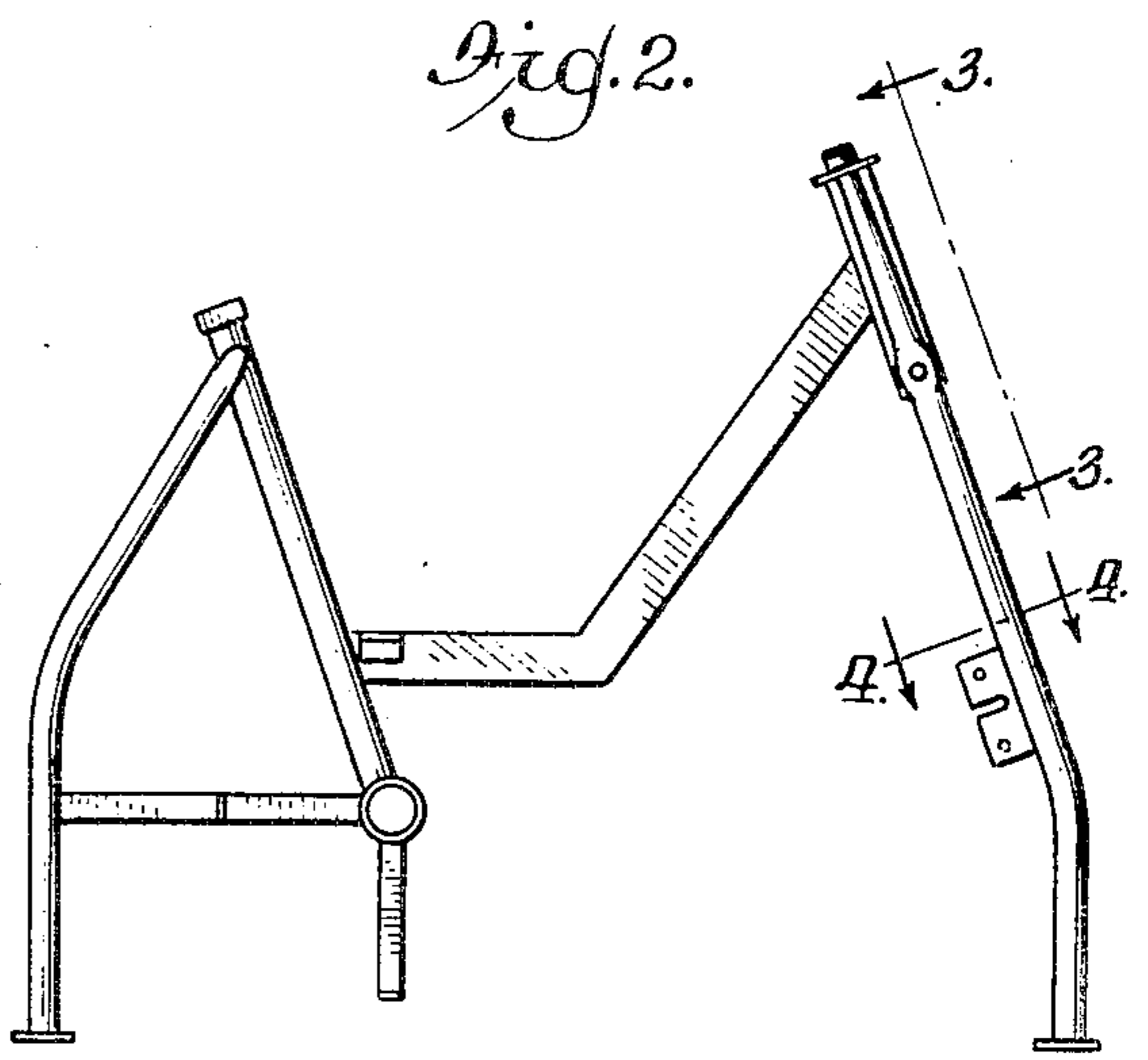
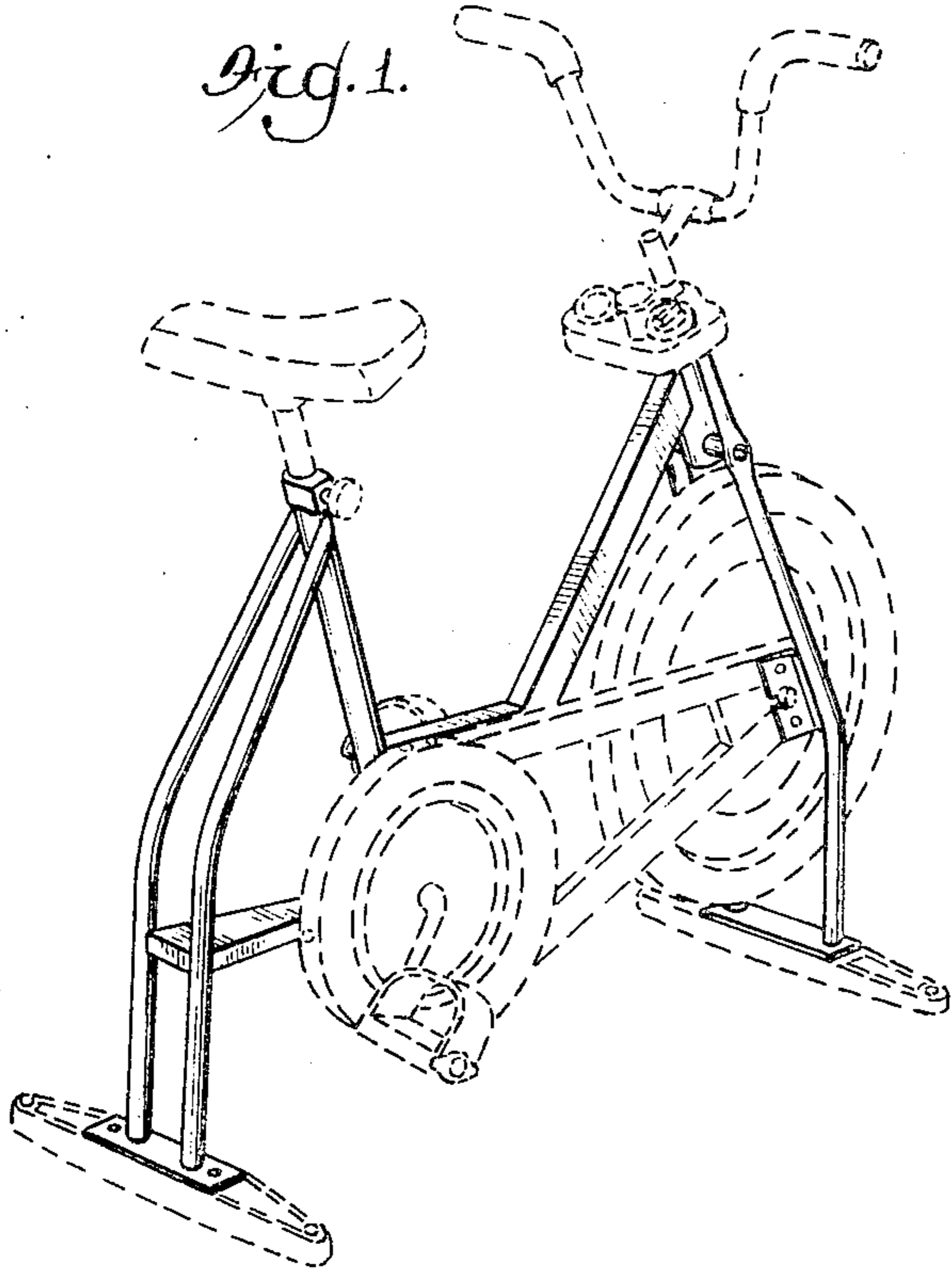
[57] **CLAIM**

The ornamental design for an exerciser frame, substantially as shown and described.

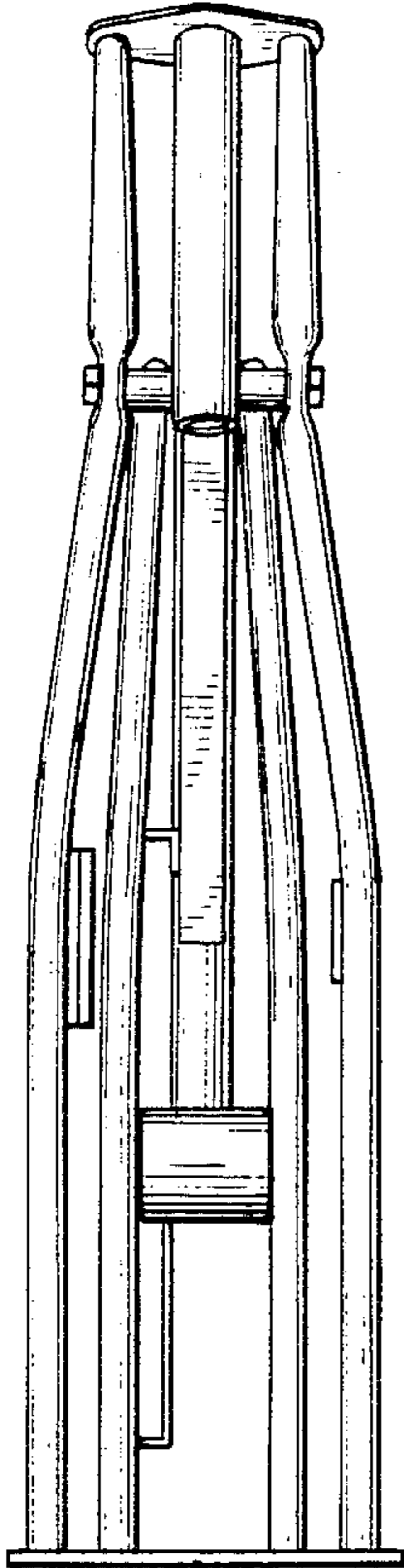
**DESCRIPTION**

FIG. 1 is a perspective view of an exerciser frame showing my new design;  
FIG. 2 is a right side elevational view thereof;  
FIG. 3 is an enlarged front elevational view thereof shown partially in fragment taken along lines 3—3 in FIG. 2;  
FIG. 4 is a cross-sectional view taken along line 4—4 in FIG. 2 shown on an enlarged scale;  
FIG. 5 is a left side elevational view thereof;  
FIG. 6 is a front elevational view thereof;  
FIG. 7 is a rear elevational view thereof;  
FIG. 8 is a top plan view thereof; and  
FIG. 9 is a bottom plan view thereof.  
The broken line drawing shown in FIG. 1 represents environment only.

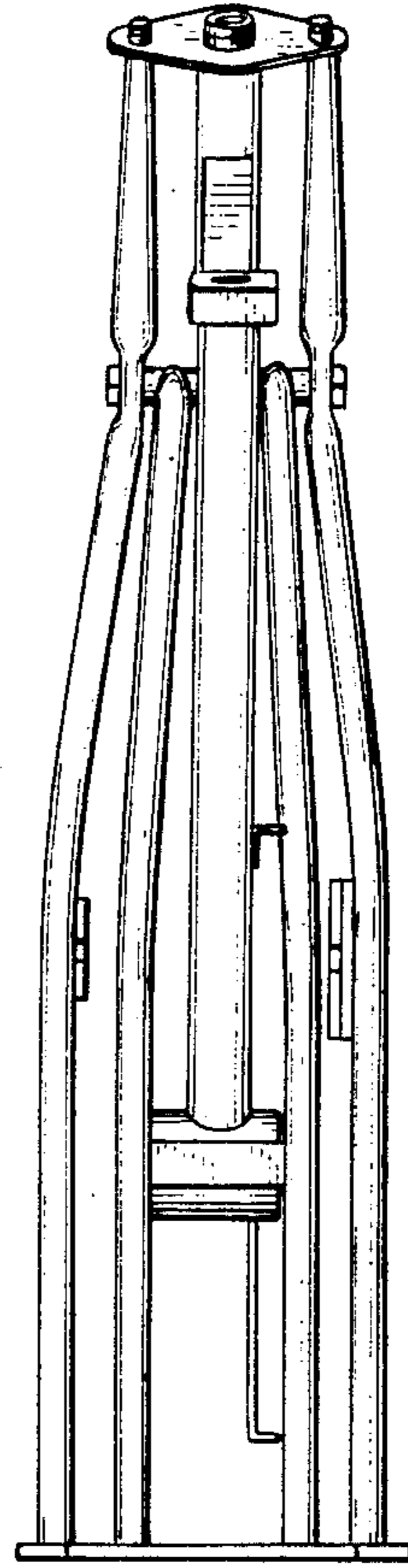




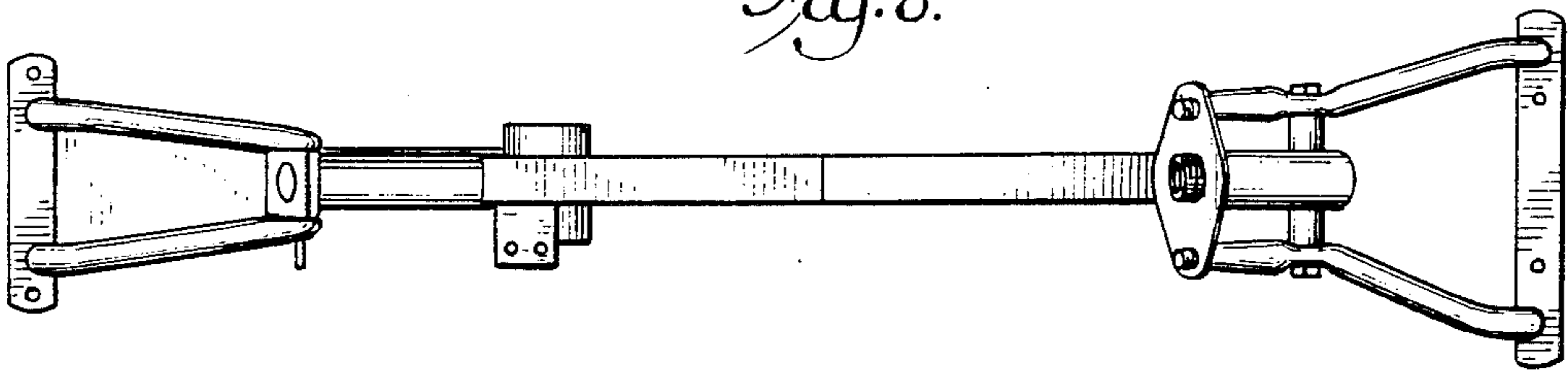
*Fig. 6.*



*Fig. 7.*



*Fig. 8.*



*Fig. 9.*

