

[54] COMBINED TOY HELICOPTER AND FIGURES

[75] Inventor: Erling T. Dideriksen, Billund, Denmark

[73] Assignee: Interlego A.G., Baar, Switzerland

[**] Term: 14 Years

[21] Appl. No.: 676,659

[22] Filed: Nov. 30, 1984

[52] U.S. Cl. D21/90

[58] Field of Search D21/59, 85, 87, 90, D21/166, 150, 104, 105; 446/71, 72, 80, 487; D12/327

[56] References Cited

U.S. PATENT DOCUMENTS

D. 280,222	8/1985	Tapdrup et al.	D21/90
D. 280,838	10/1985	Tapdrup et al.	D21/90
D. 283,150	3/1986	Jensen	D21/177

OTHER PUBLICATIONS

Playthings, 4-1978, p. 29, Toy Helicopter.
Playthings, 2-1984, p. 56, Toy Figure Puzzle.
Toys, Hobbies & Crafts, 2-1984, p. 117, Toy Helicopter.

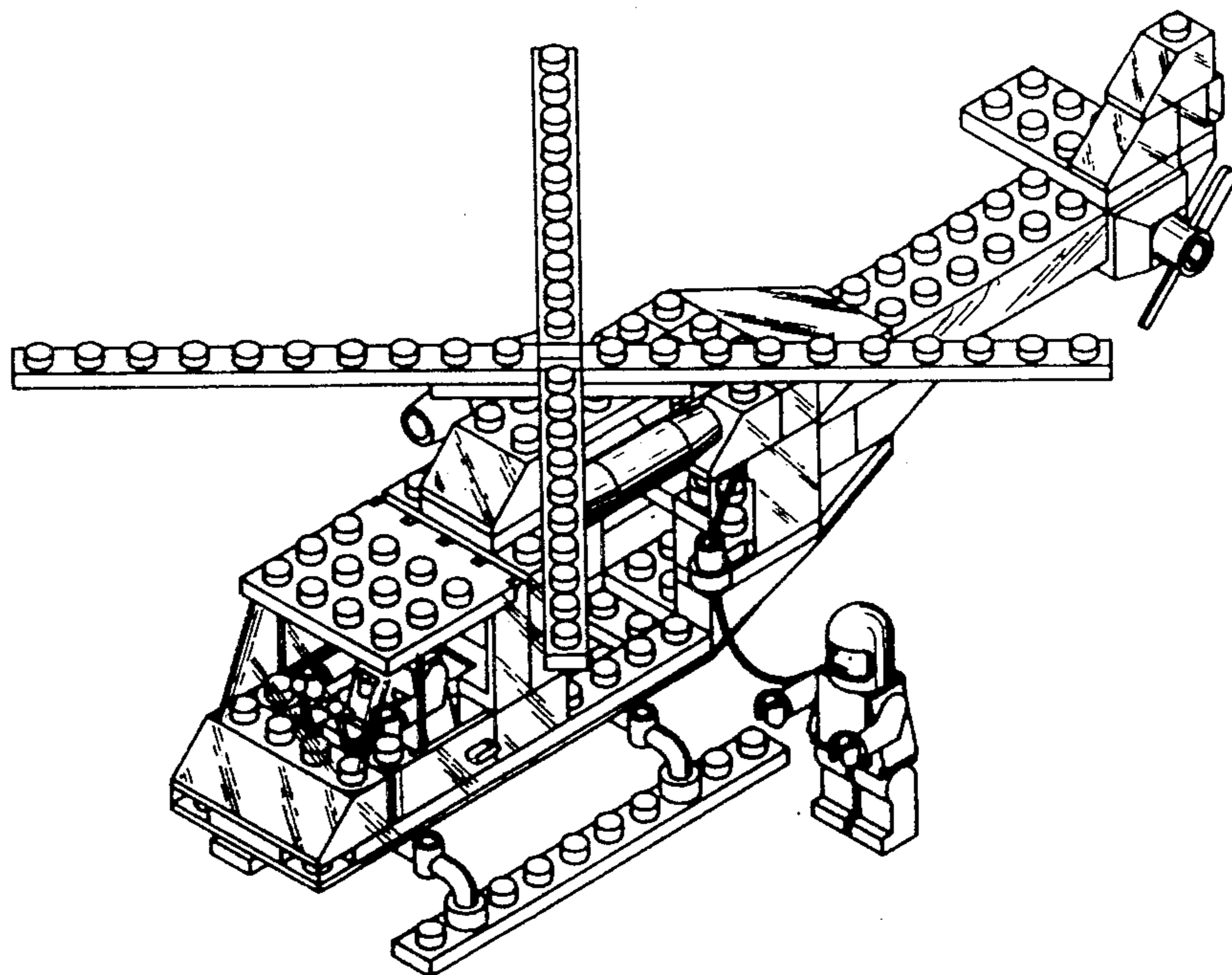
Primary Examiner—Charles A. Rademaker
Attorney, Agent, or Firm—Kane, Dalsimer, Kane,
Sullivan and Kurucz

[57] CLAIM

The ornamental design for combined toy helicopter and figures, as shown and described.

DESCRIPTION

FIG. 1 is a top perspective view of a toy helicopter showing my new design;
FIG. 2 is a front elevational view thereof;
FIG. 3 is a rear elevational view thereof;
FIG. 4 is a left side elevational view thereof;
FIG. 5 is a right side elevational view thereof;
FIG. 6 is a bottom plan view thereof;
FIG. 7 is a top plan view thereof.



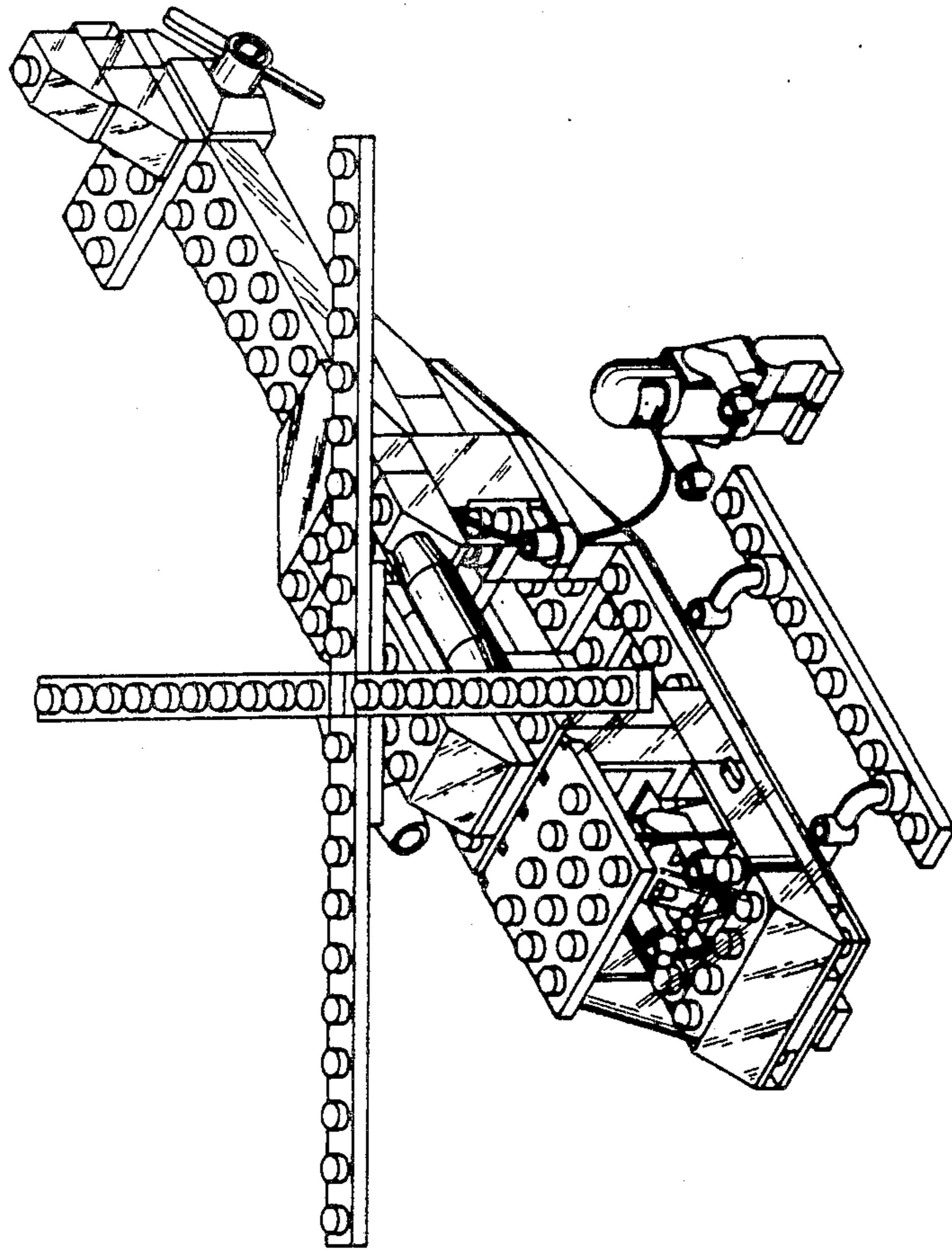


FIG. 1

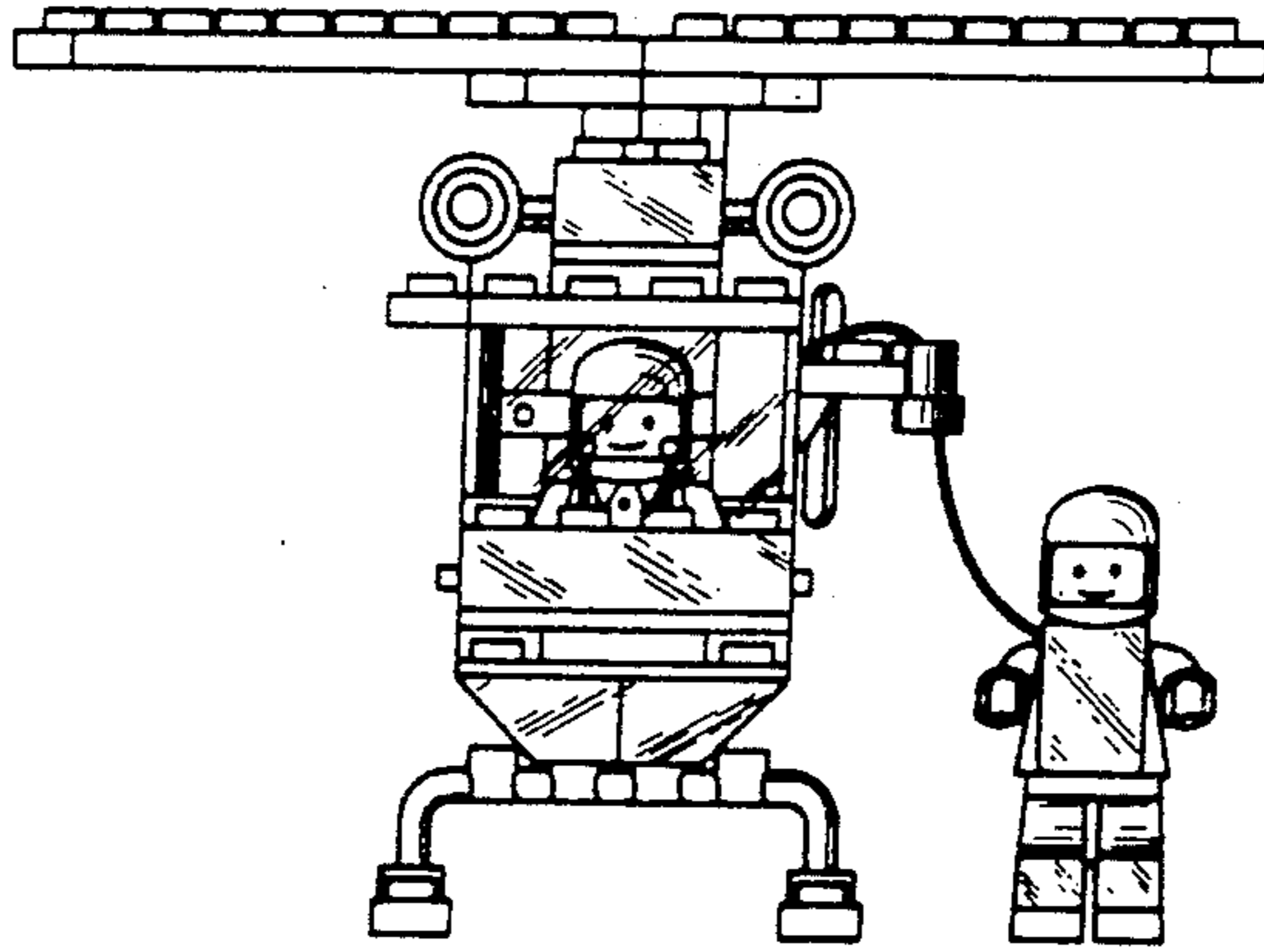


FIG. 2

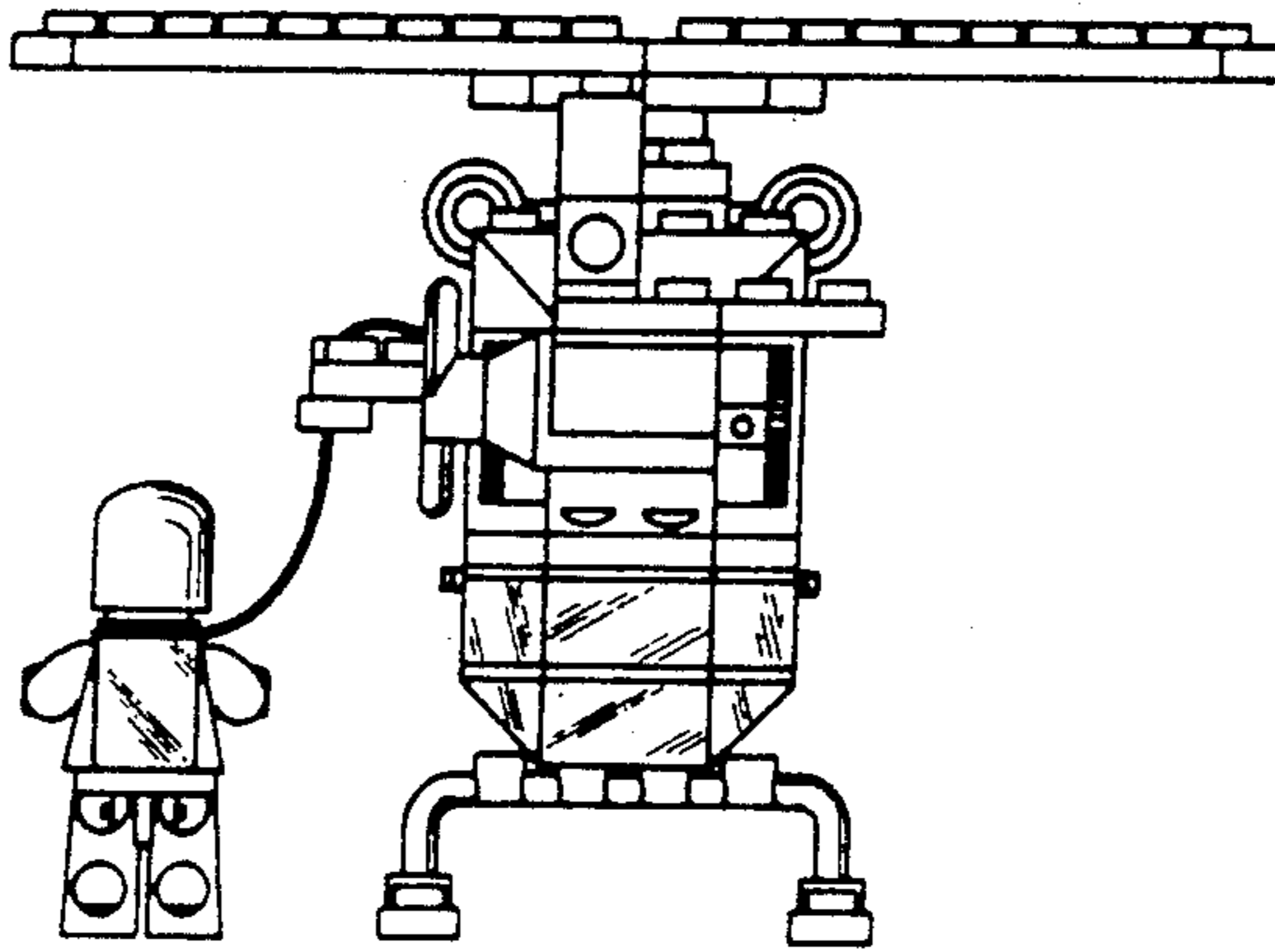


FIG. 3

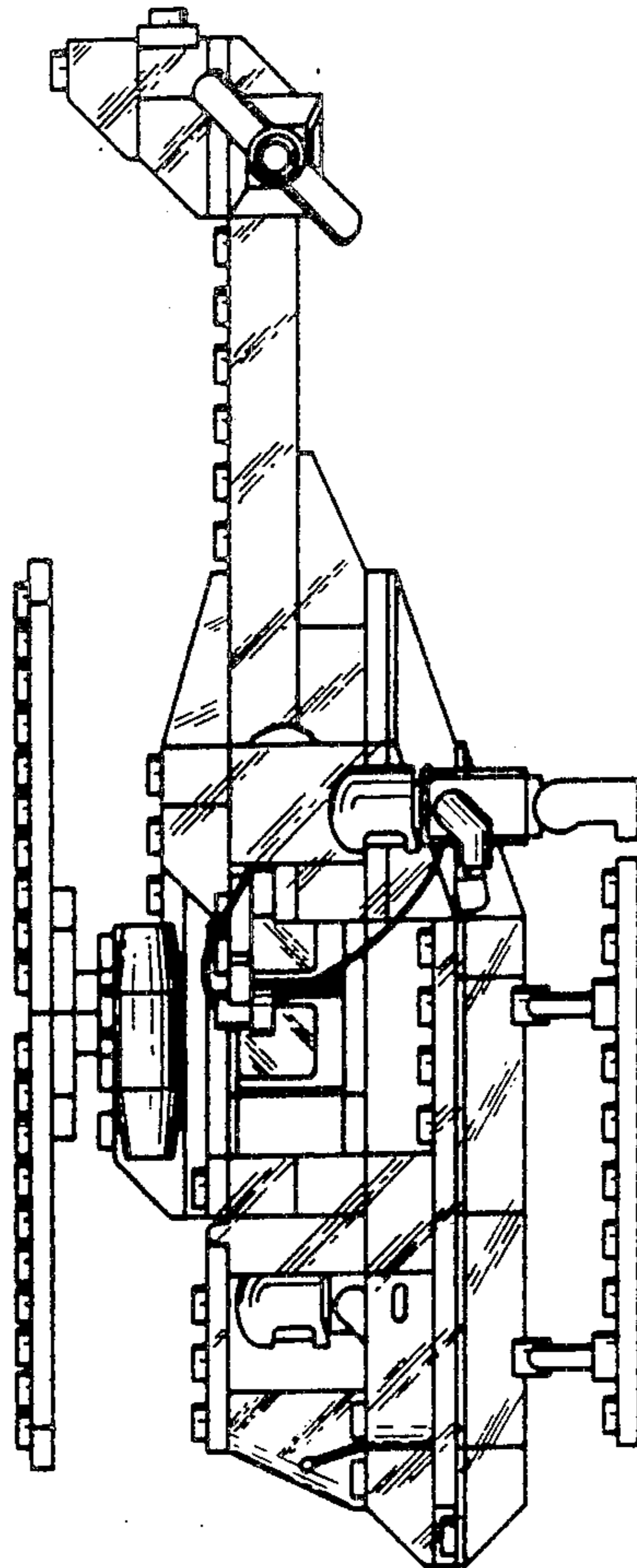


FIG. 4

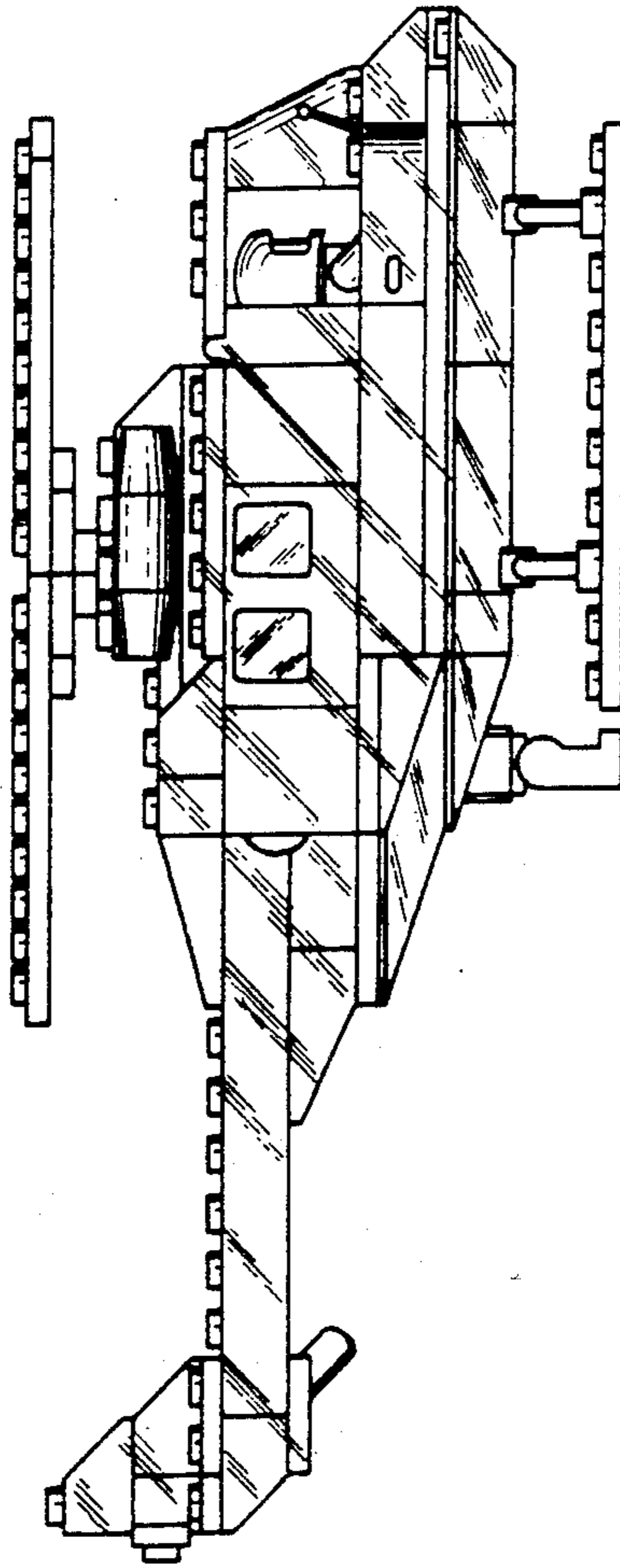


FIG. 5

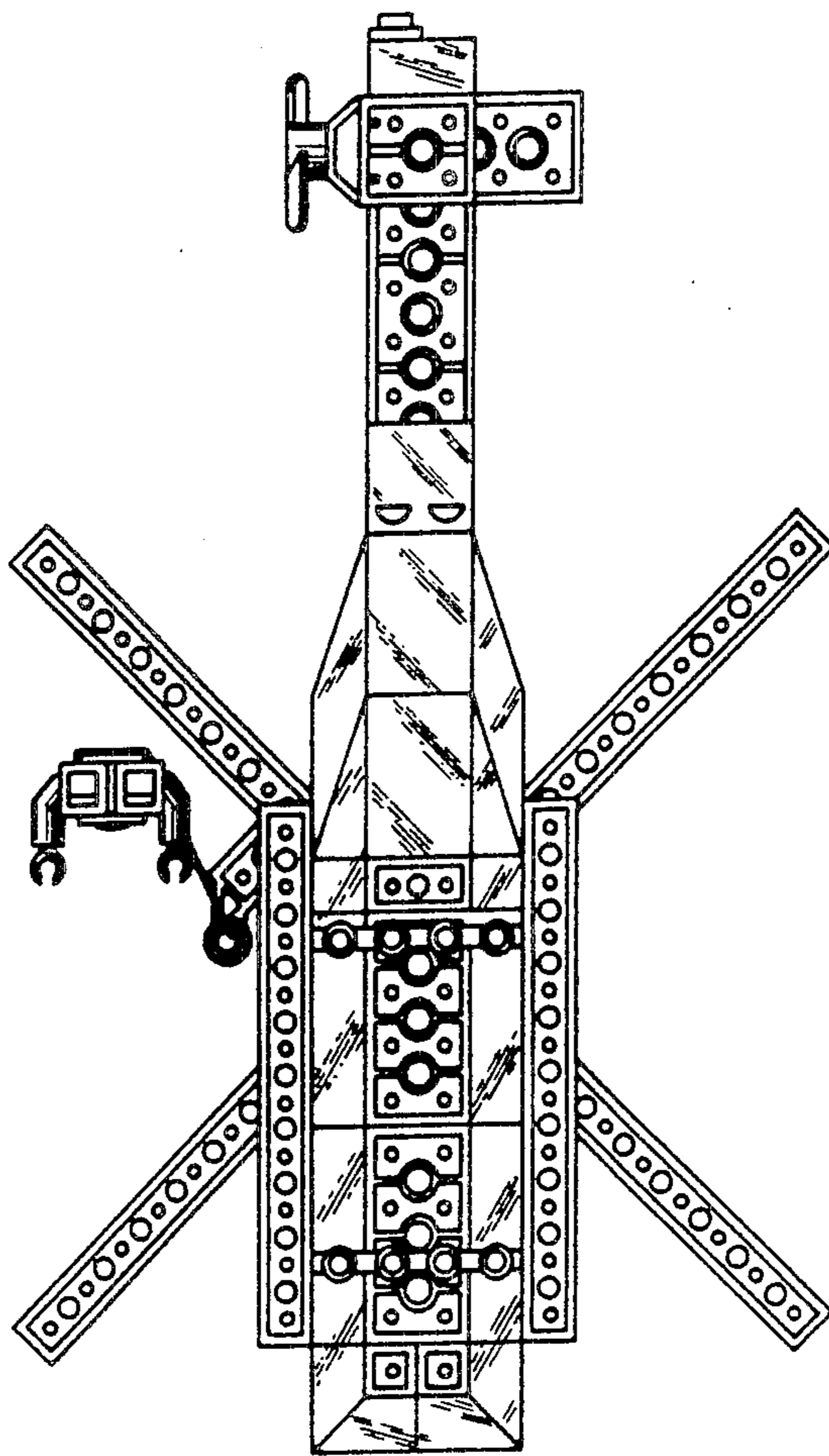


FIG. 6

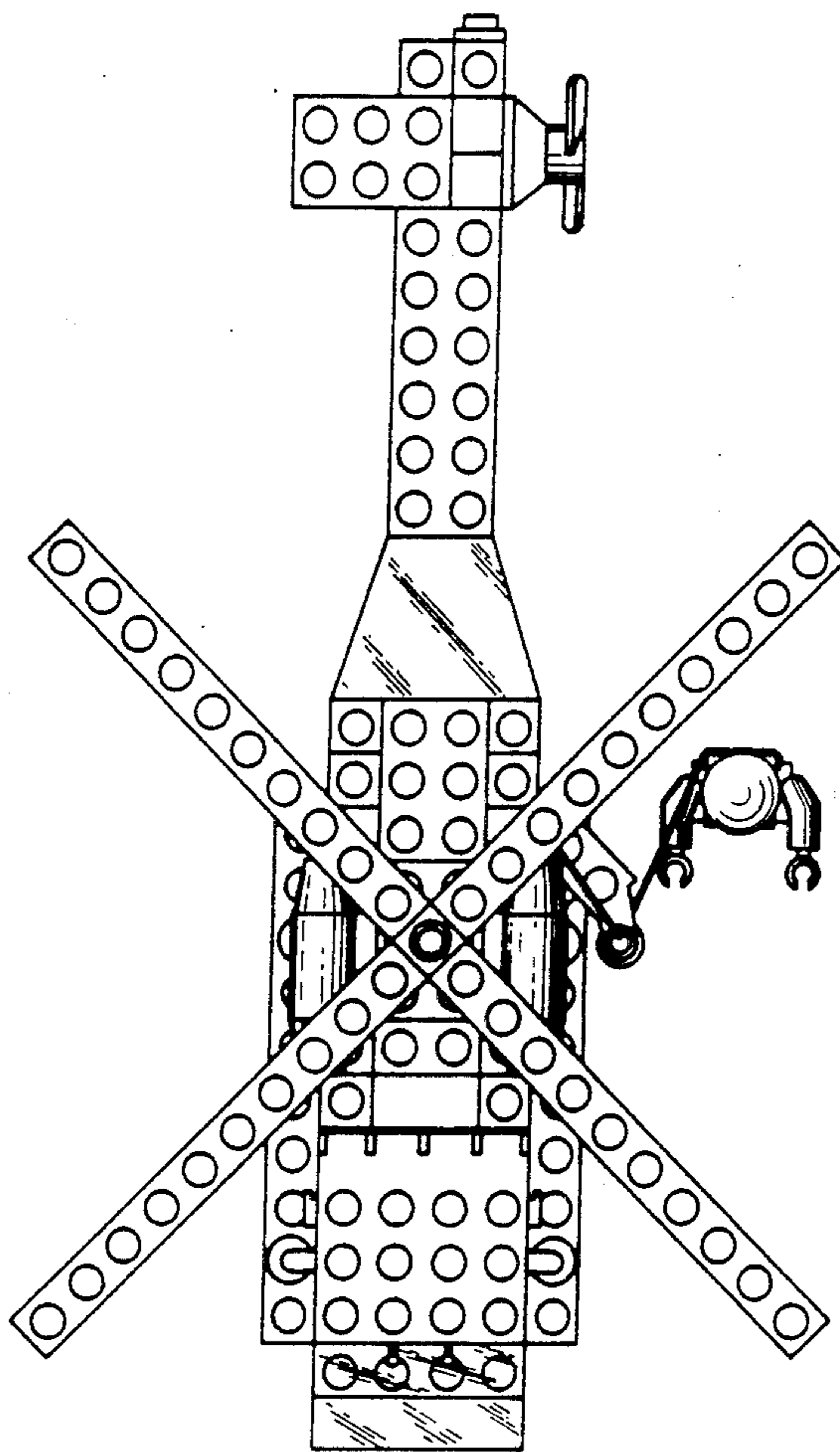


FIG. 7