

[54] **MULTI-POSITION TICKET STRIP**

[76] **Inventor:** Richard E. H. Kenney, 126 Furnival Rd., Toronto, Ontario M4B 1W8, Canada

[\*\*] **Term:** 14 Years

[21] **Appl. No.:** 637,531

[22] **Filed:** Aug. 2, 1984

[30] **Foreign Application Priority Data**

Feb. 20, 1984 [GB] United Kingdom ..... 1017981  
[52] **U.S. Cl.** ..... D20/44; D25/74  
[58] **Field of Search** ..... D20/44; D25/74; 40/16, 40/10 R, 12, 16.2, 16.4, 17

[56] **References Cited**

**U.S. PATENT DOCUMENTS**

D. 190,361 5/1961 Hopp ..... D20/44  
D. 273,596 4/1984 Waldecrantz ..... D20/44

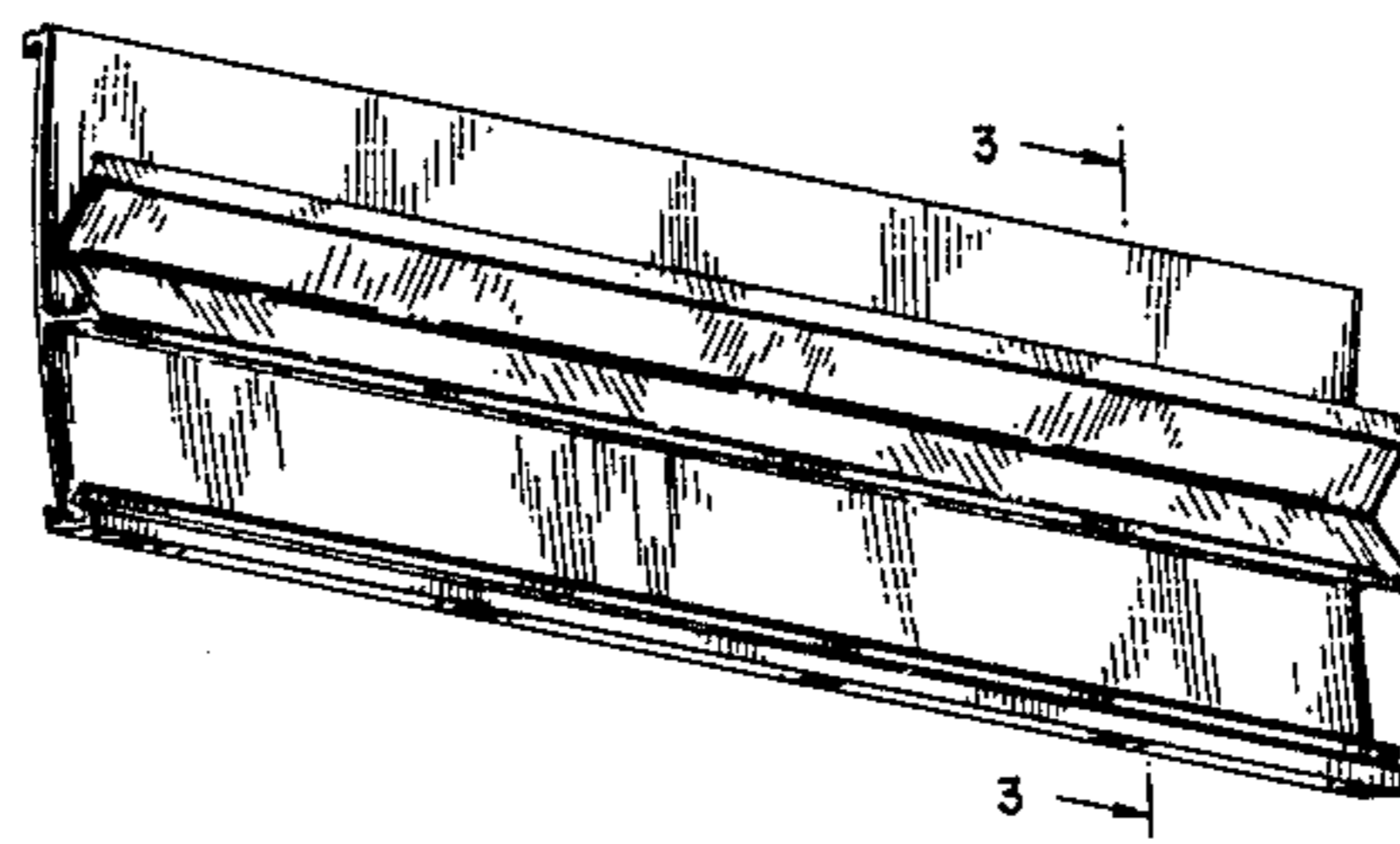
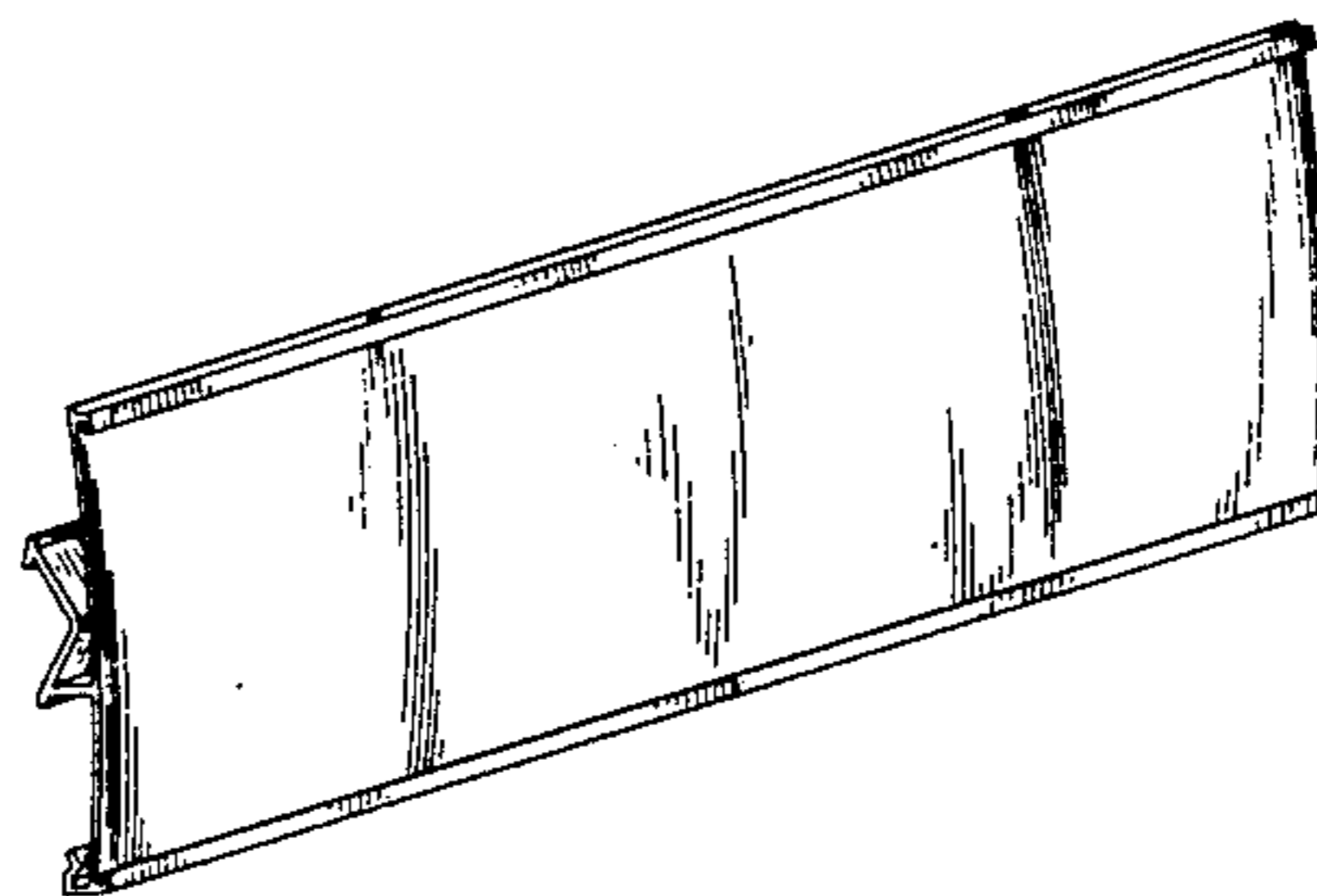
*Primary Examiner*—Catherine E. Kemper  
*Attorney, Agent, or Firm*—Anthony A. O'Brien

[57] **CLAIM**

The ornamental design for multi-position ticket strip, as shown.

**DESCRIPTION**

FIG. 1 is a front perspective view of a multi-position ticket strip, showing my new design; FIG. 2 is a rear perspective view thereof; and FIG. 3 is a cross-sectional view thereof, taken along line 3—3 of FIG. 2.



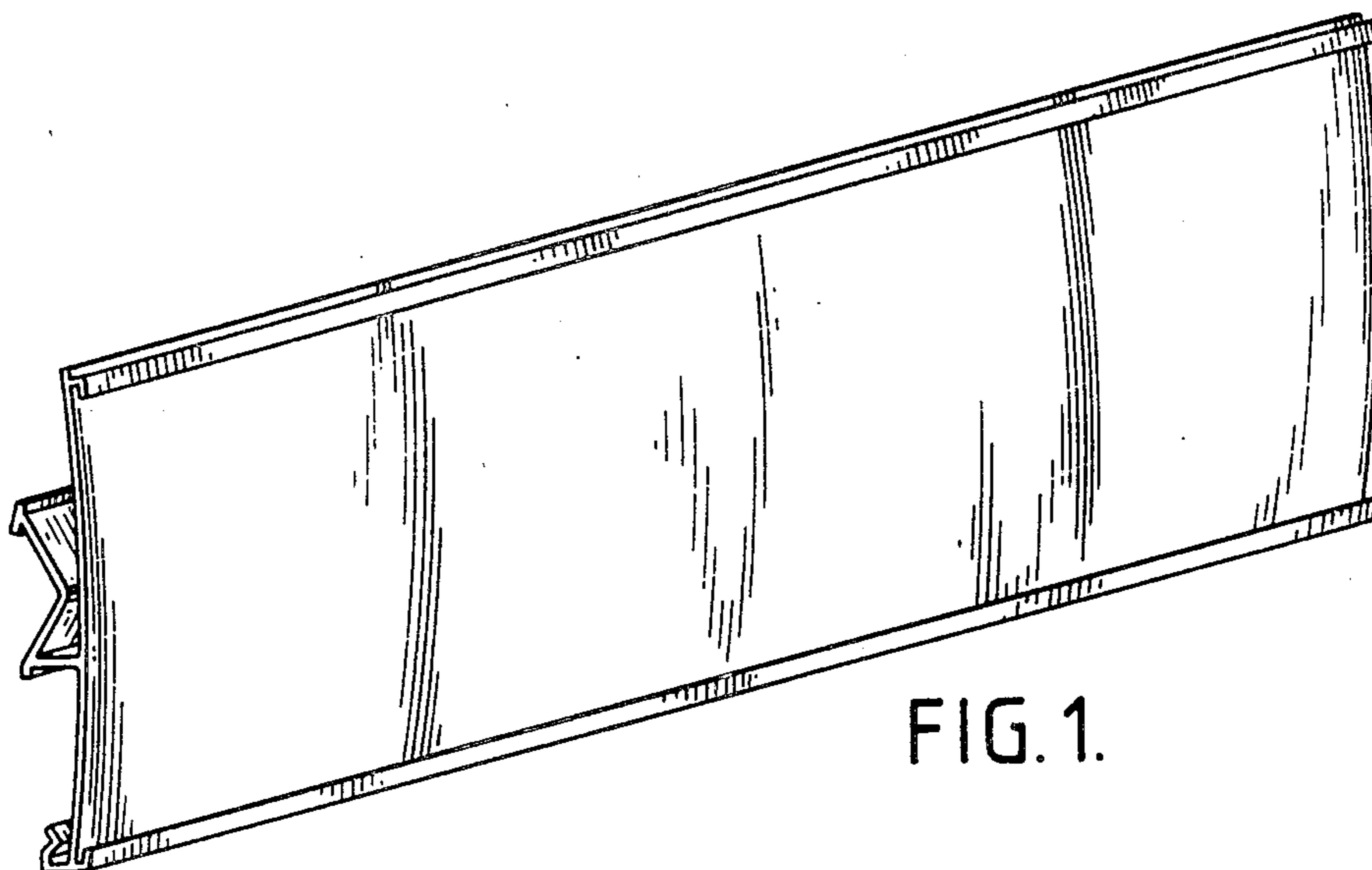


FIG. 1.

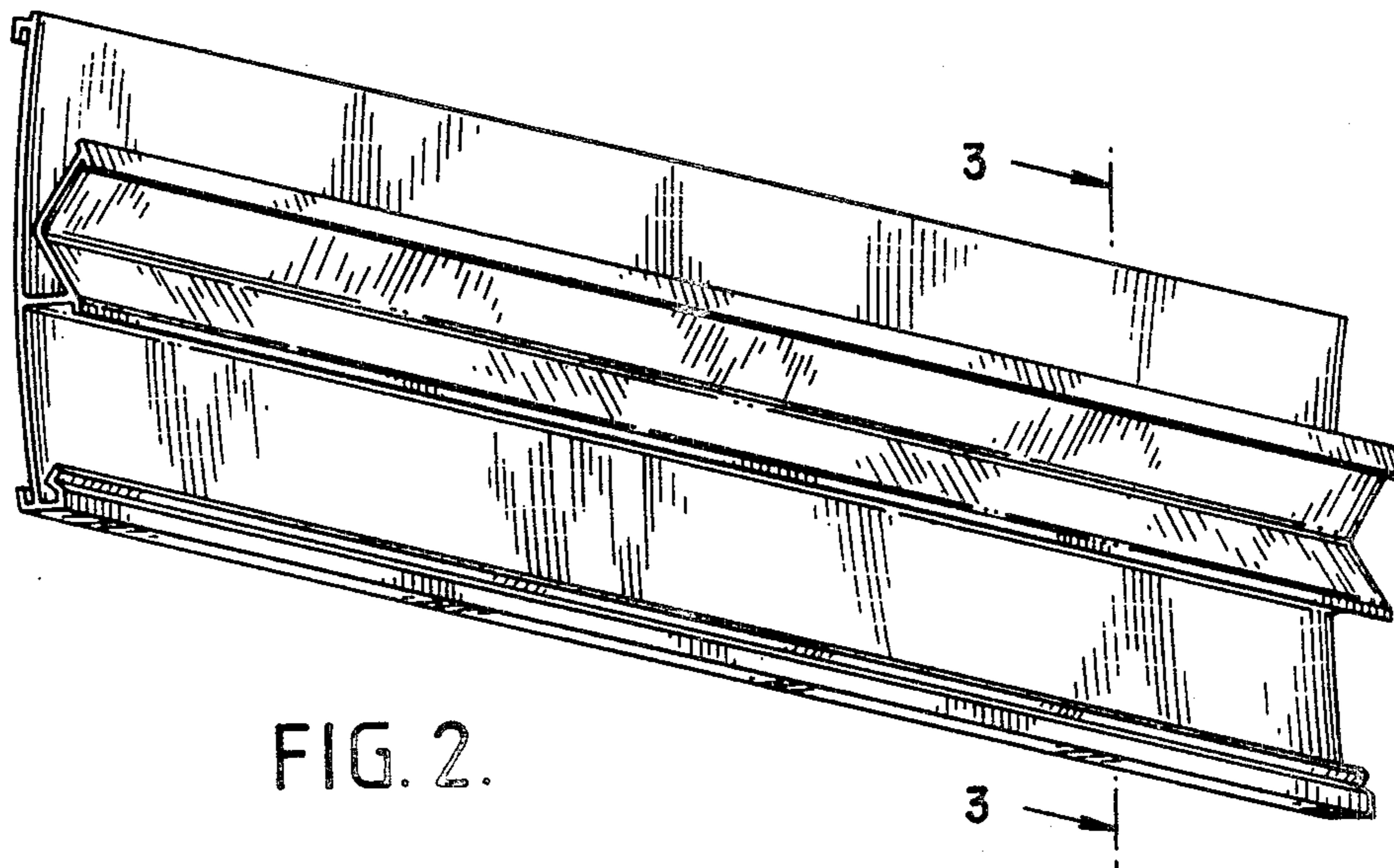


FIG. 2.

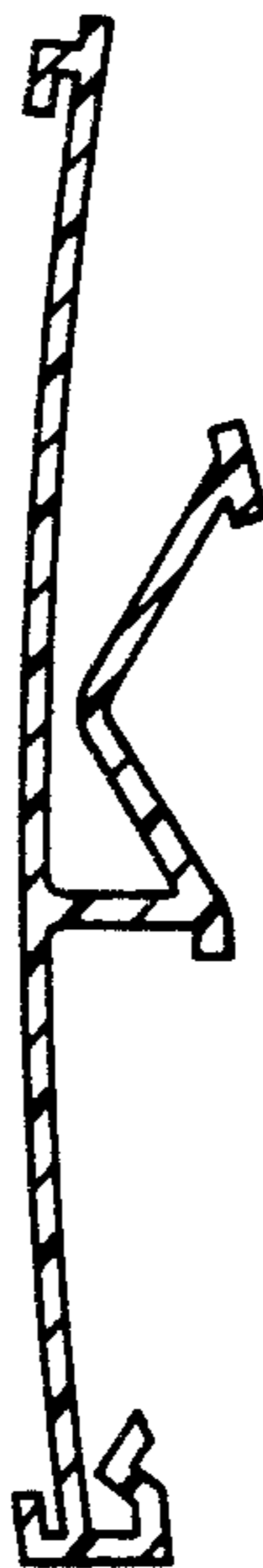


FIG. 3.