

[54] BOOK RACK

[76] Inventor: Theodore Van Pelt Meekins, 5056 Graceland Ave., Indianapolis, Ind. 46208

[\*\*] Term: 14 Years

[21] Appl. No.: 577,217

[22] Filed: Feb. 6, 1984

[52] U.S. Cl. .... D19/34.1

[58] Field of Search ..... D19/34.1; 211/42, 43, 211/183

[56] References Cited

U.S. PATENT DOCUMENTS

- D. 187,796 5/1960 Vuici ..... D19/34.1
- D. 225,500 12/1972 Lewis ..... D19/34.1

- D. 241,295 9/1976 Entin ..... D19/34.1
- 4,099,624 7/1978 McKearin ..... 211/42
- 4,162,013 7/1979 Tucker ..... 211/43
- 4,535,896 8/1985 Evenson ..... 211/43

Primary Examiner—B. J. Bullock

[57] CLAIM

The ornamental design for a book rack, as shown.

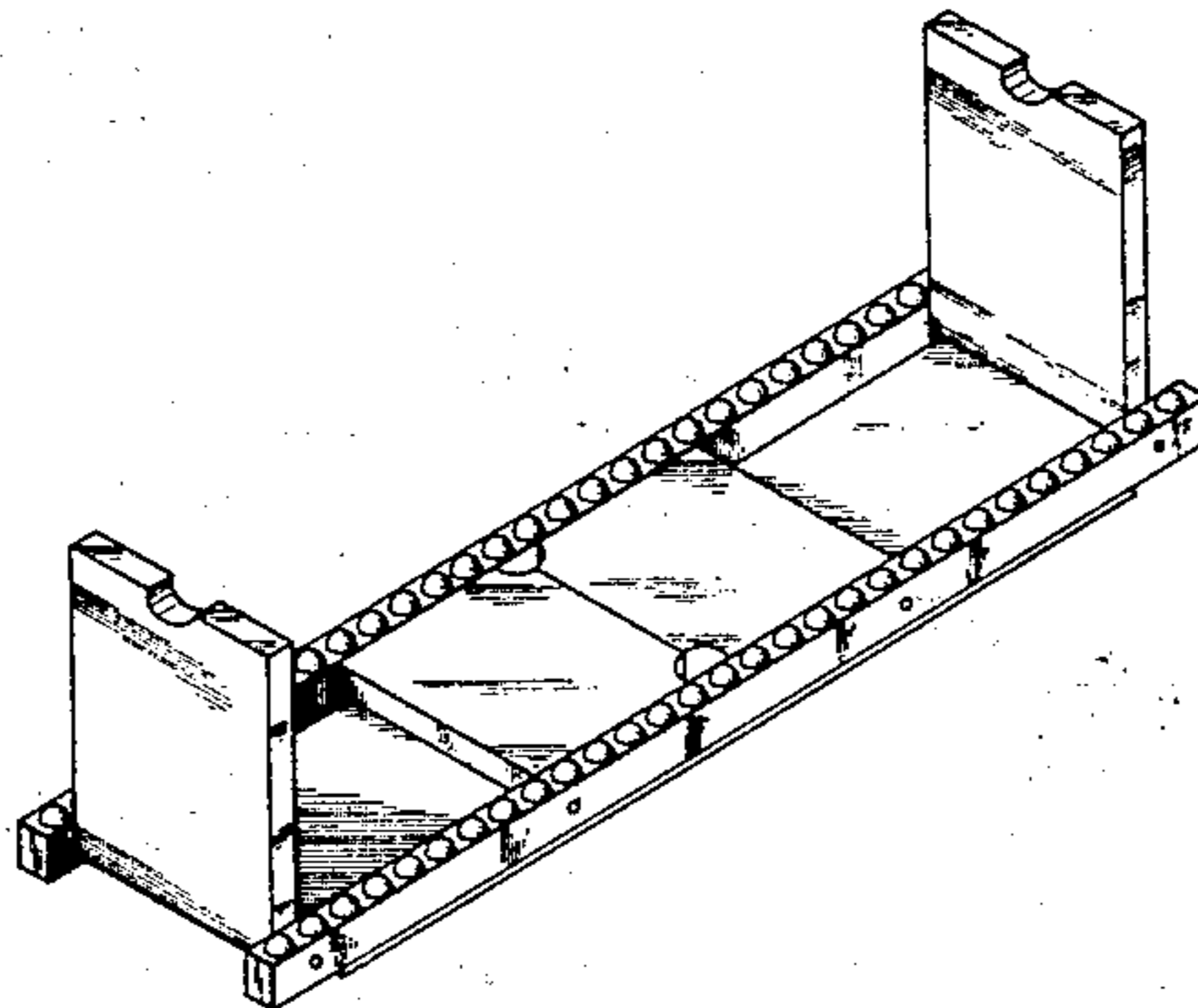
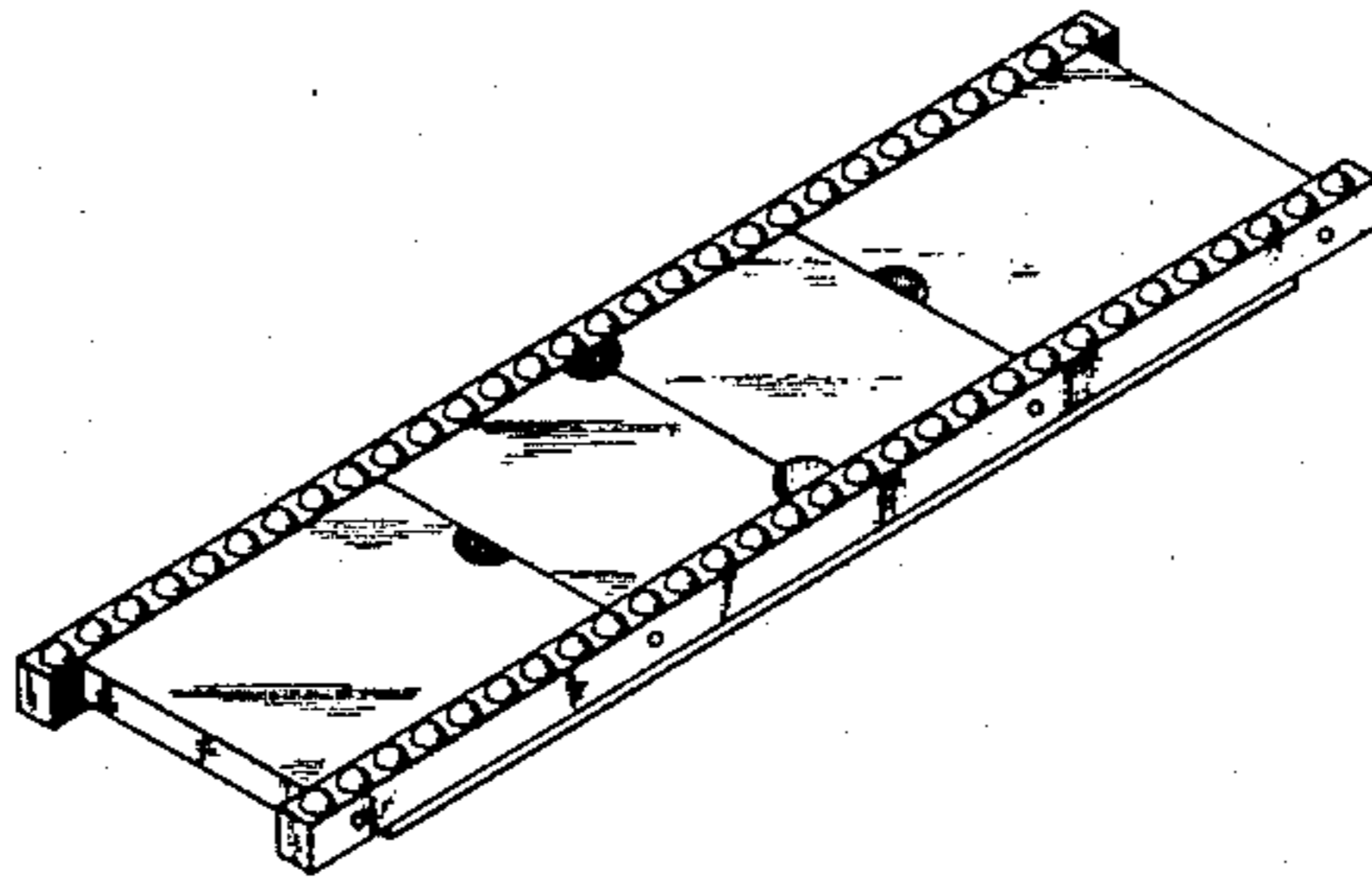
DESCRIPTION

FIG. 1 is a perspective view of a book rack showing my new design in the collapsed position, the top being flat and unornamented;

FIG. 2 is a perspective view thereof in an alternate position;

FIG. 3 is a perspective view thereof with all partitions in the upright position;

FIG. 4 is a perspective view thereof in another alternate position.



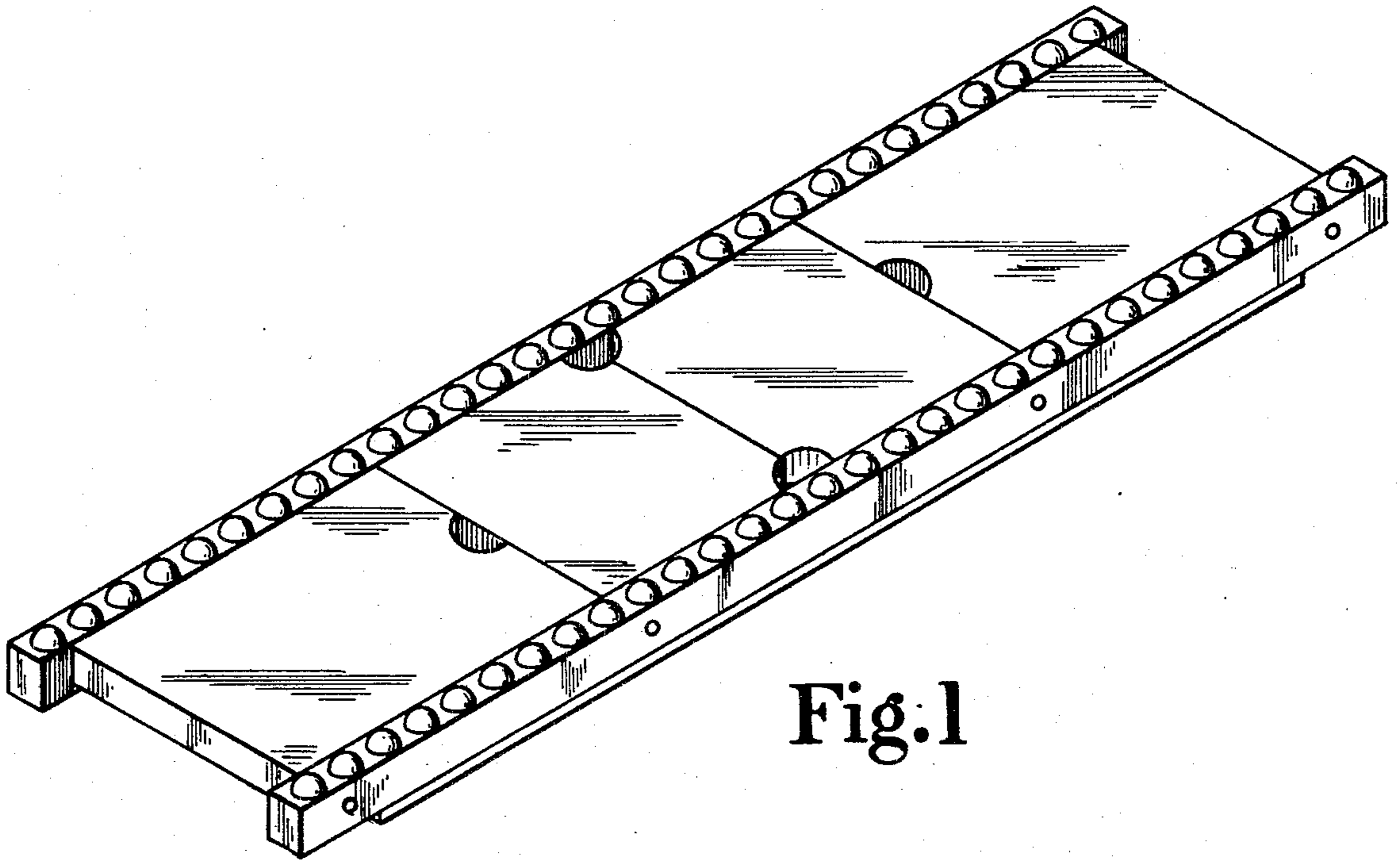


Fig. 1

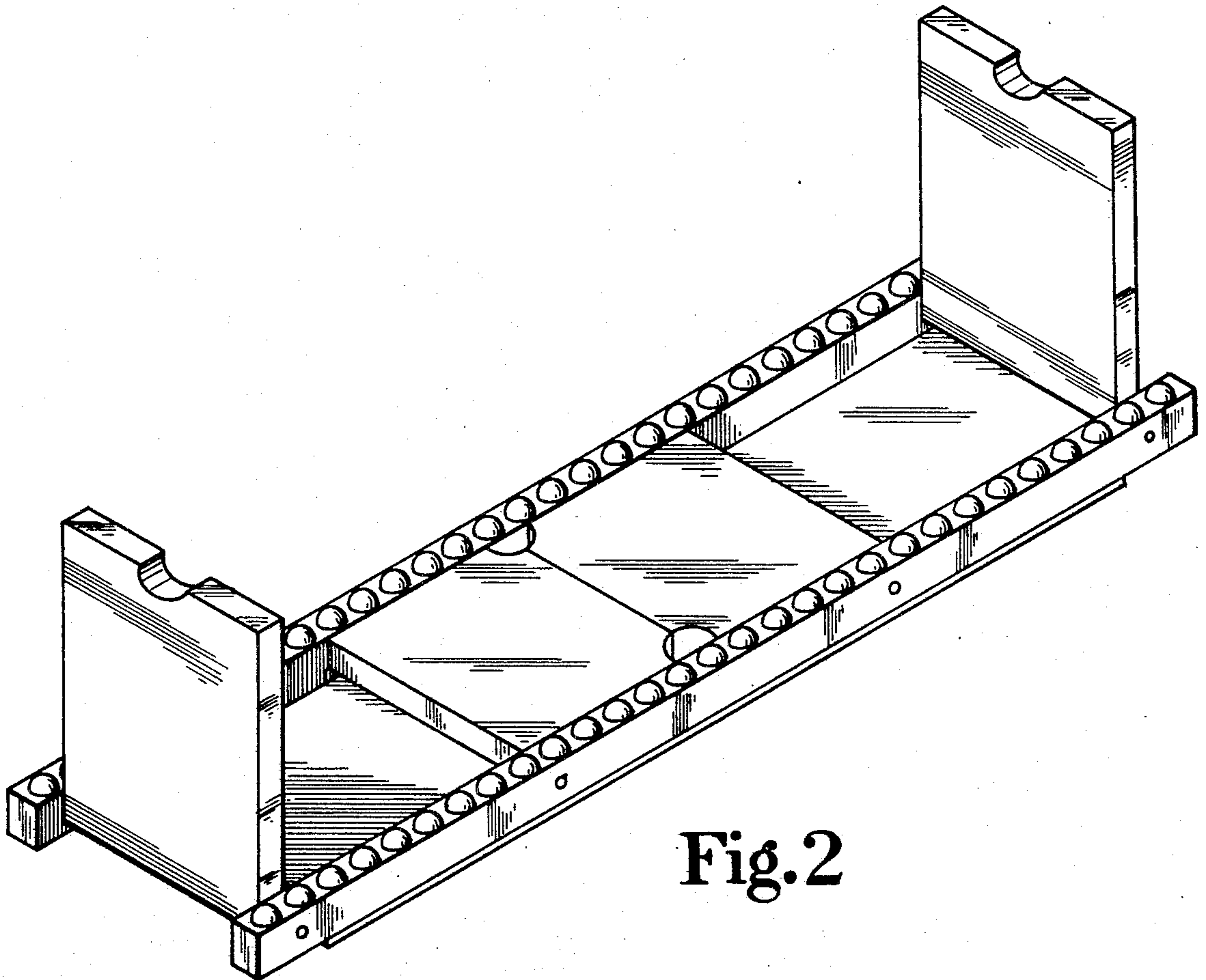


Fig. 2

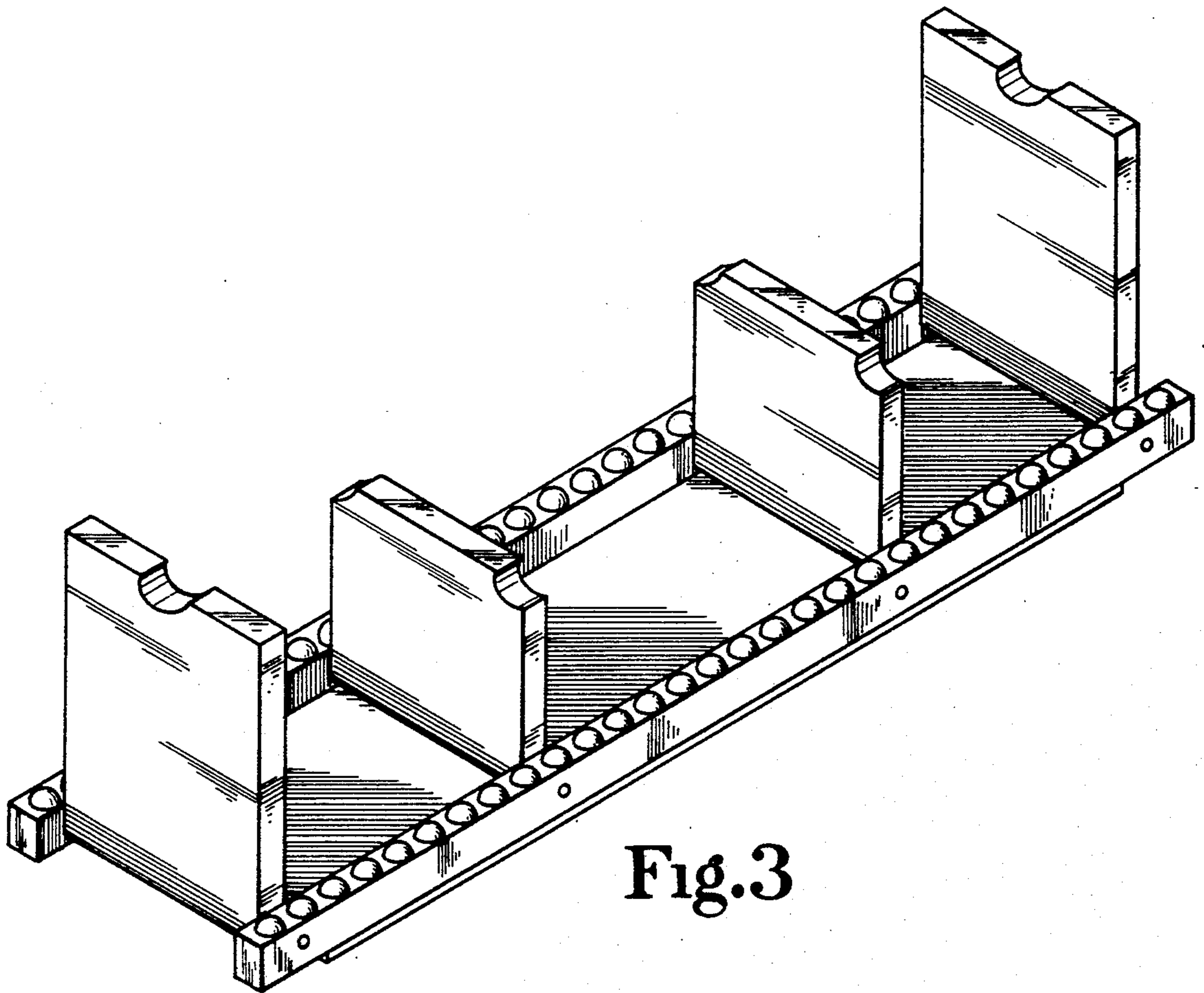


Fig. 3

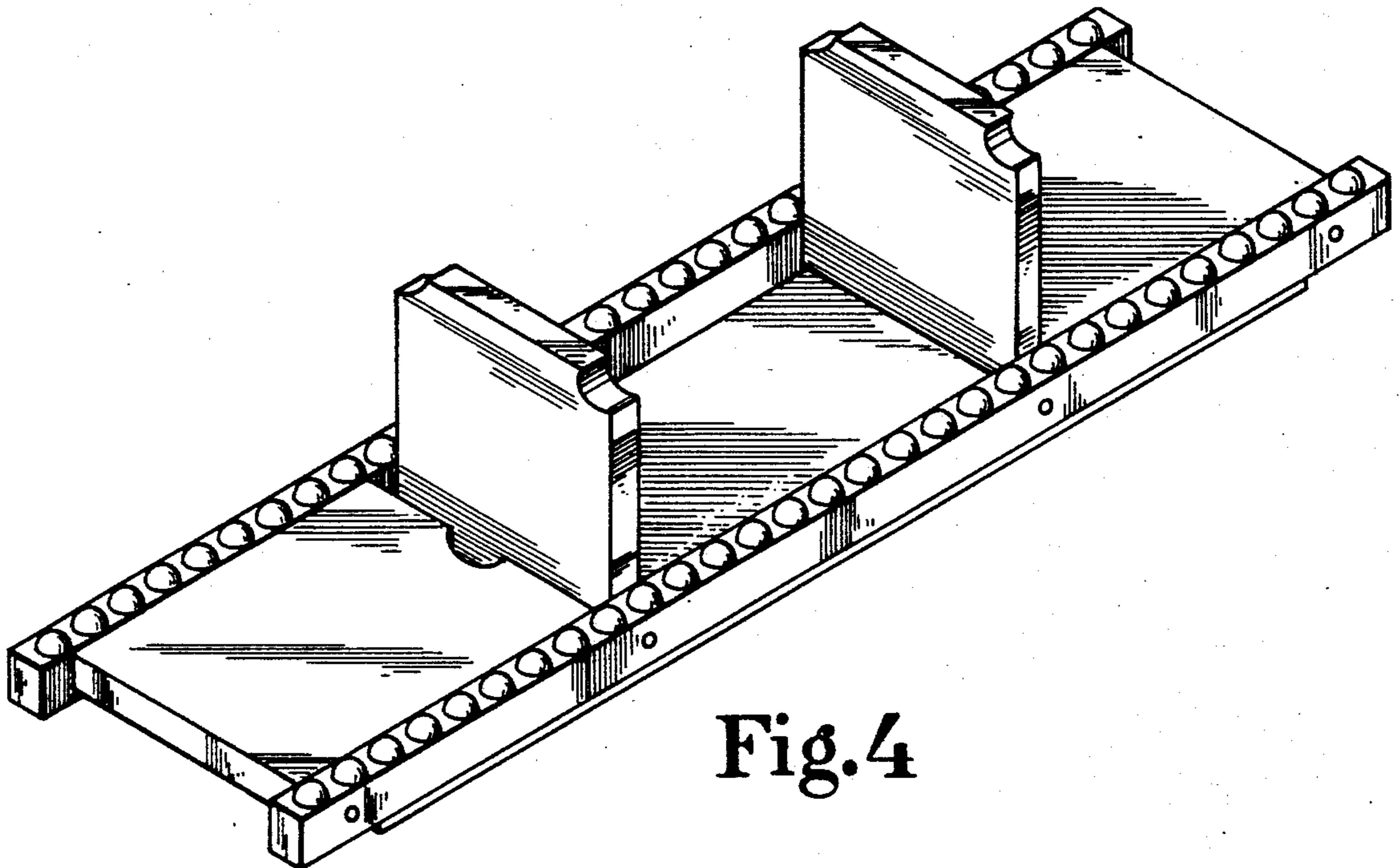


Fig. 4