

[54] CAMERA CARRIER

3,037,441 6/1962 Leach 354/294

[75] Inventors: Leon Young; Edward J. Klassen, both of Pacific Palisades, Calif.

Primary Examiner—Nelson C. Holtje
Attorney, Agent, or Firm—John E. Kelly; Stuart O. Lowry

[73] Assignee: Fotima International Ltd., Los Angeles, Calif.

[57] CLAIM

[**] Term: 14 Years

The ornamental design for a camera carrier, substantially as shown.

[21] Appl. No.: 676,287

DESCRIPTION

[22] Filed: Nov. 29, 1984

[52] U.S. Cl. D16/44; D16/38

[58] Field of Search D16/44-47, D16/38; 248/359 R, 359 E; 354/293, 294

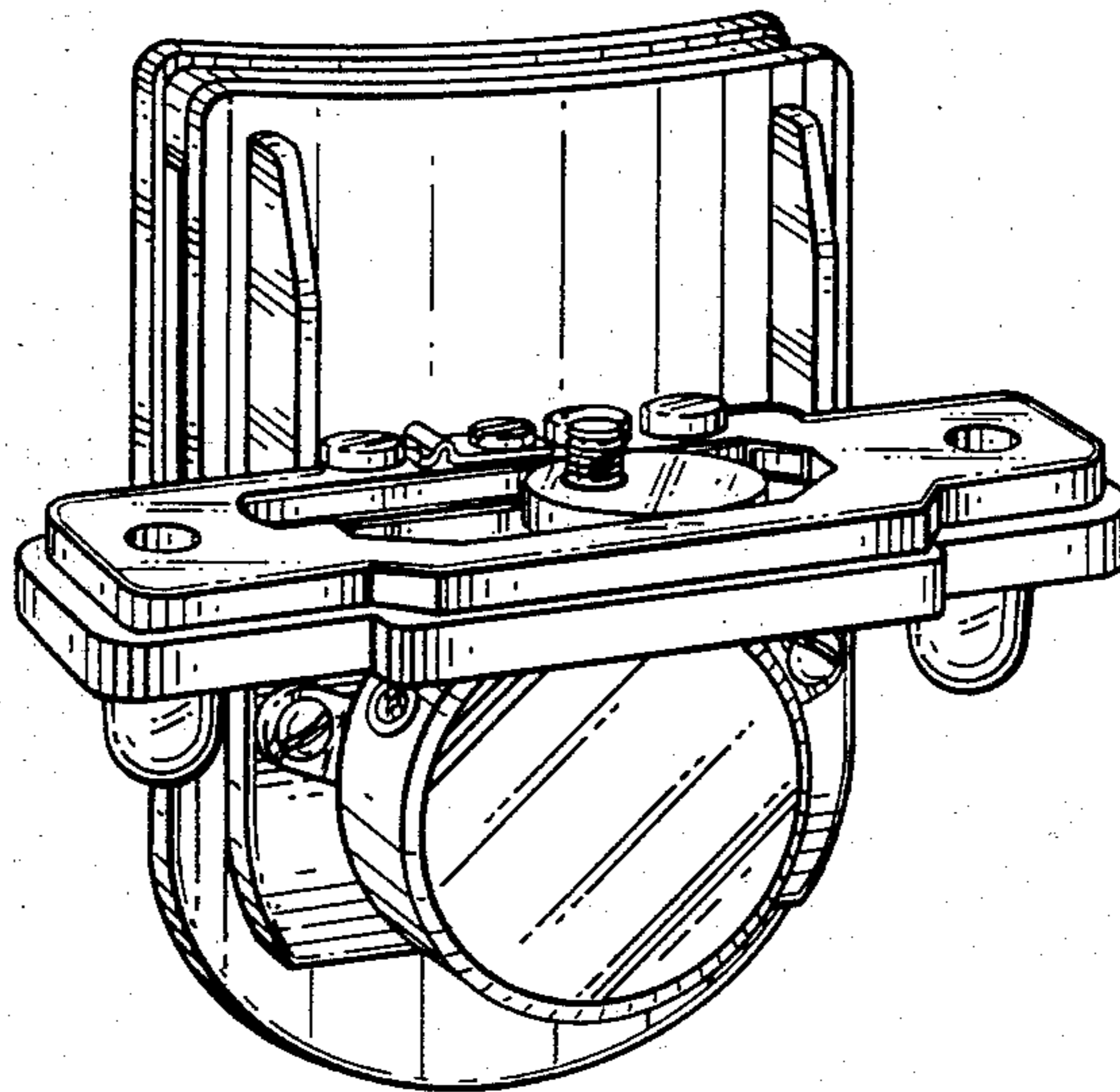
FIG. 1 is a left front perspective view of a camera carrier showing our new design; FIG. 2 is a front elevational view thereof; FIG. 3 is a rear elevational view thereof; FIG. 4 is a left side elevational view thereof, the right side being a mirror image thereto; FIG. 5 is a top plan view thereof; and, FIG. 6 is a bottom plan view thereof.

[56] References Cited

U.S. PATENT DOCUMENTS

- D. 240,094 6/1976 Lihn D16/47
- D. 265,657 8/1982 Lovell D16/47
- D. 283,031 3/1986 Sadre-Marandi D16/44

The broken-line showings of a camera in FIGS. 2 and 4 are environmental only and form no part of the claimed design.



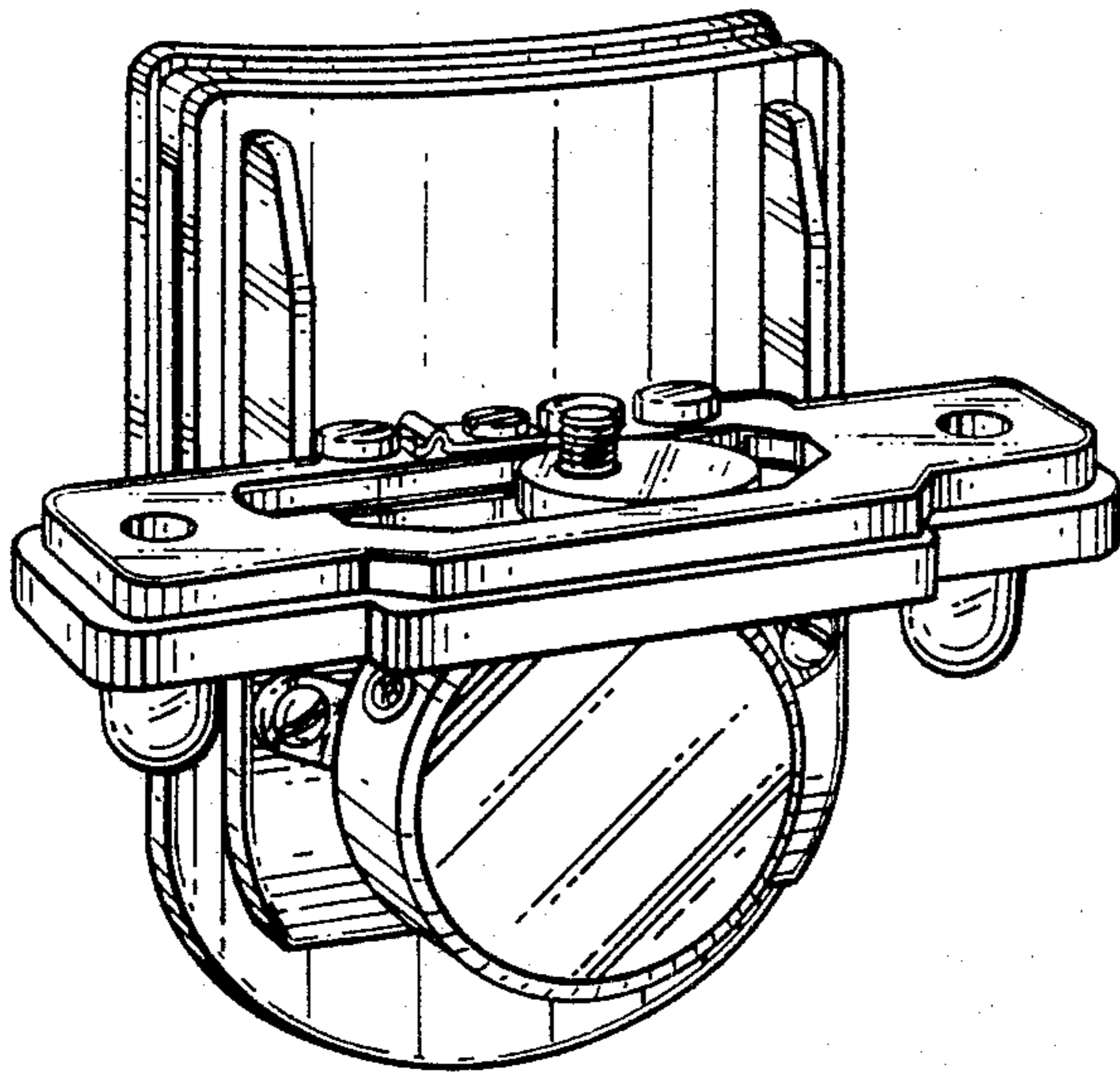


FIG. 1

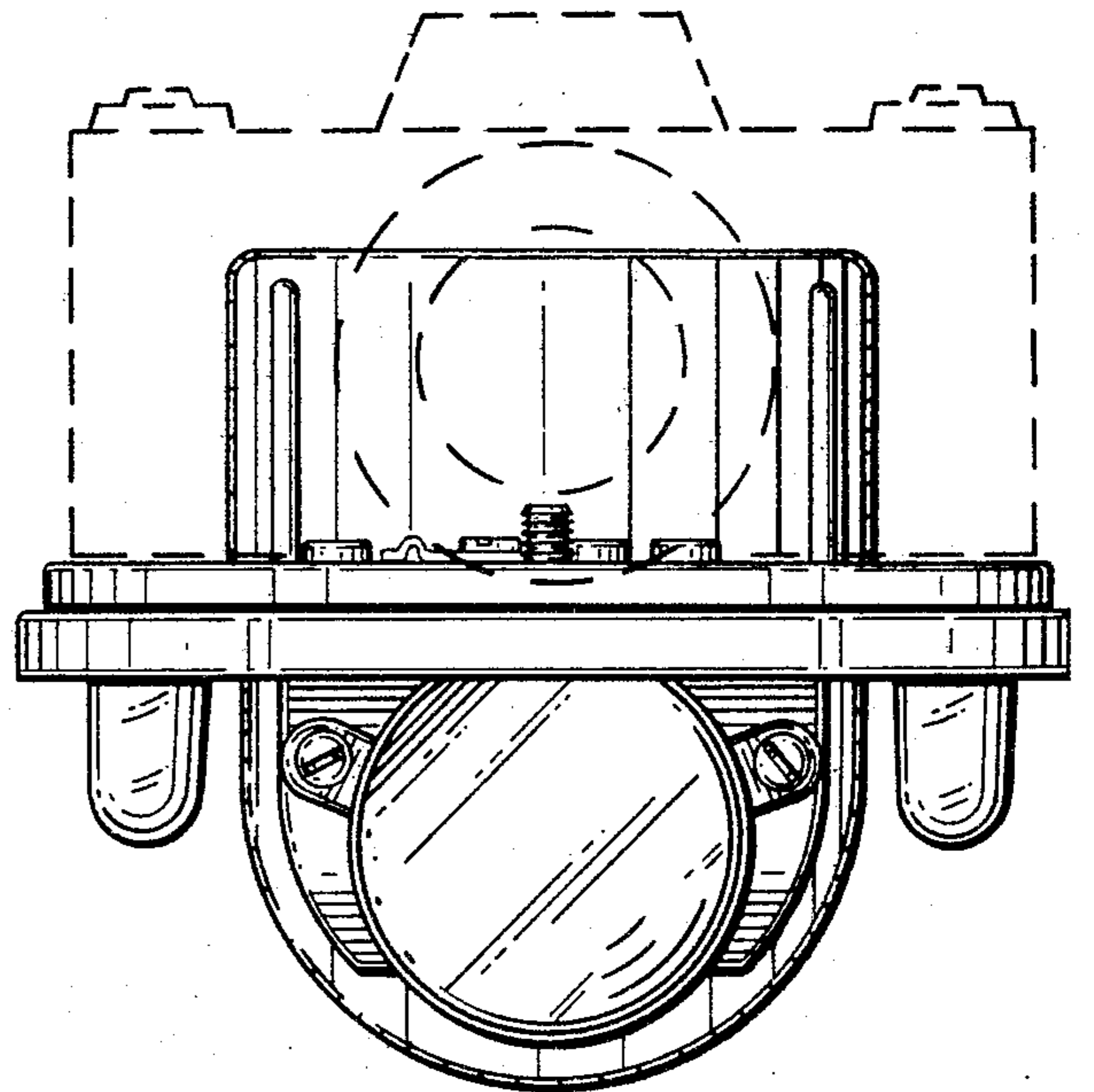


FIG. 2

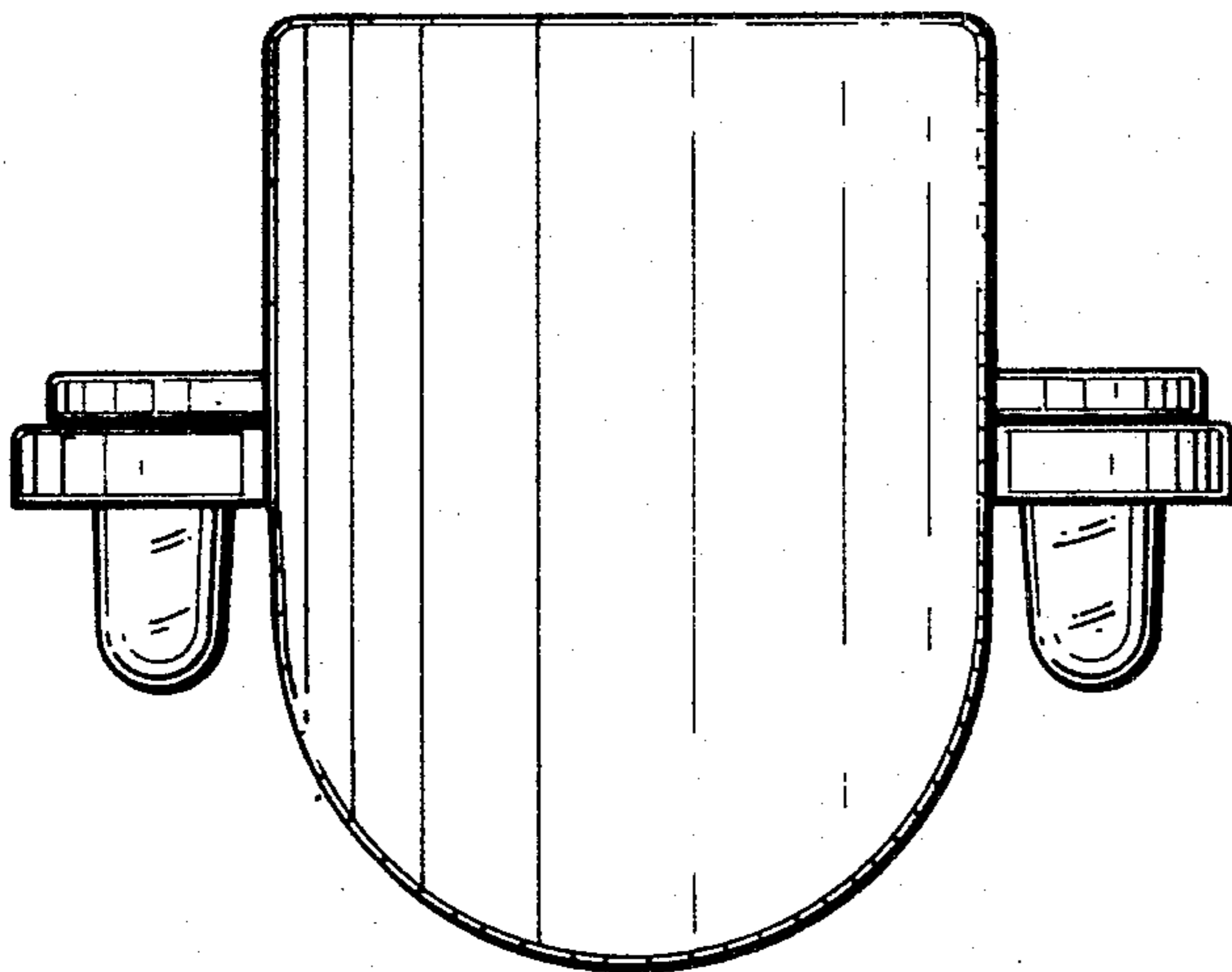


FIG. 3

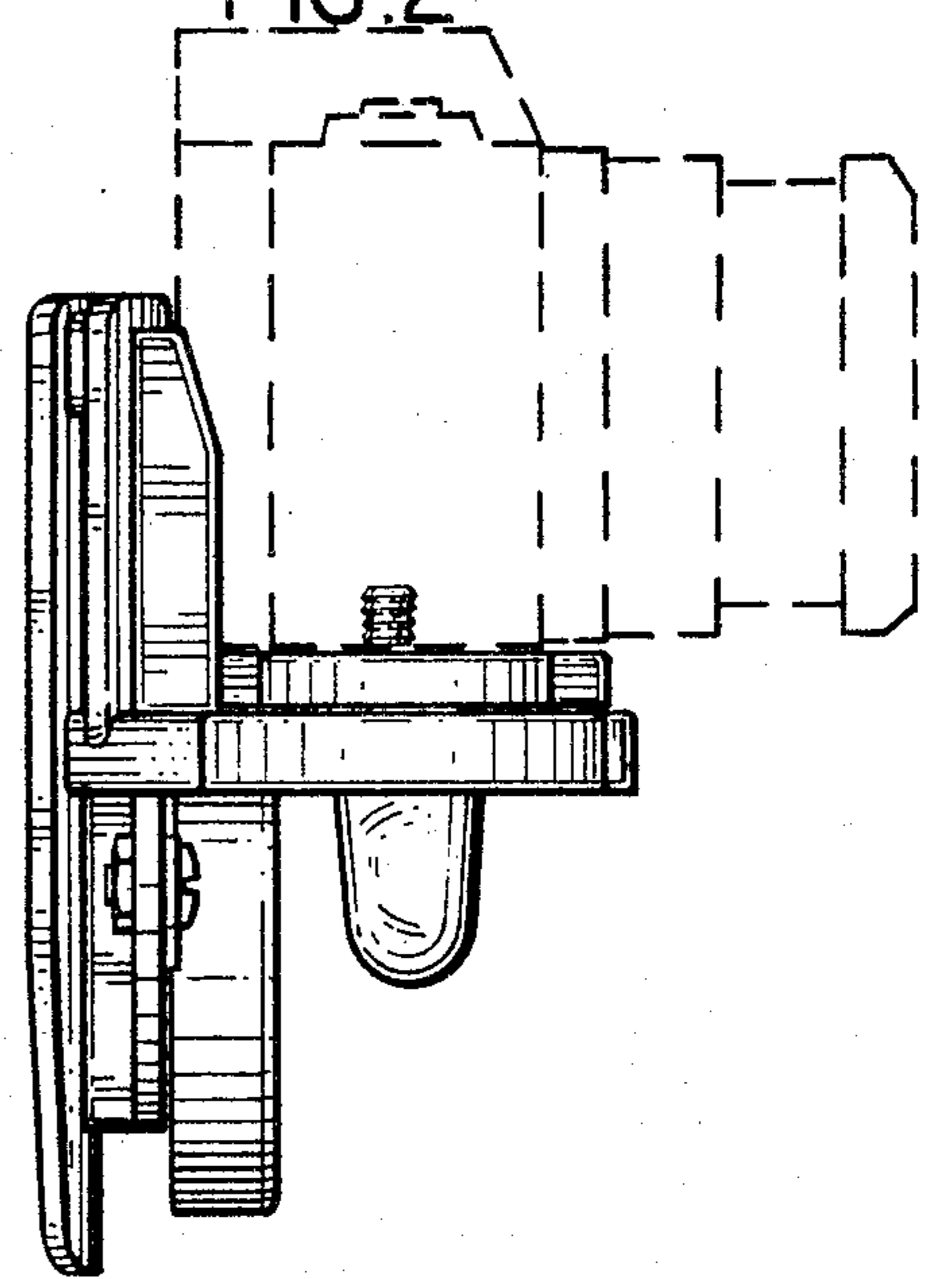


FIG. 4

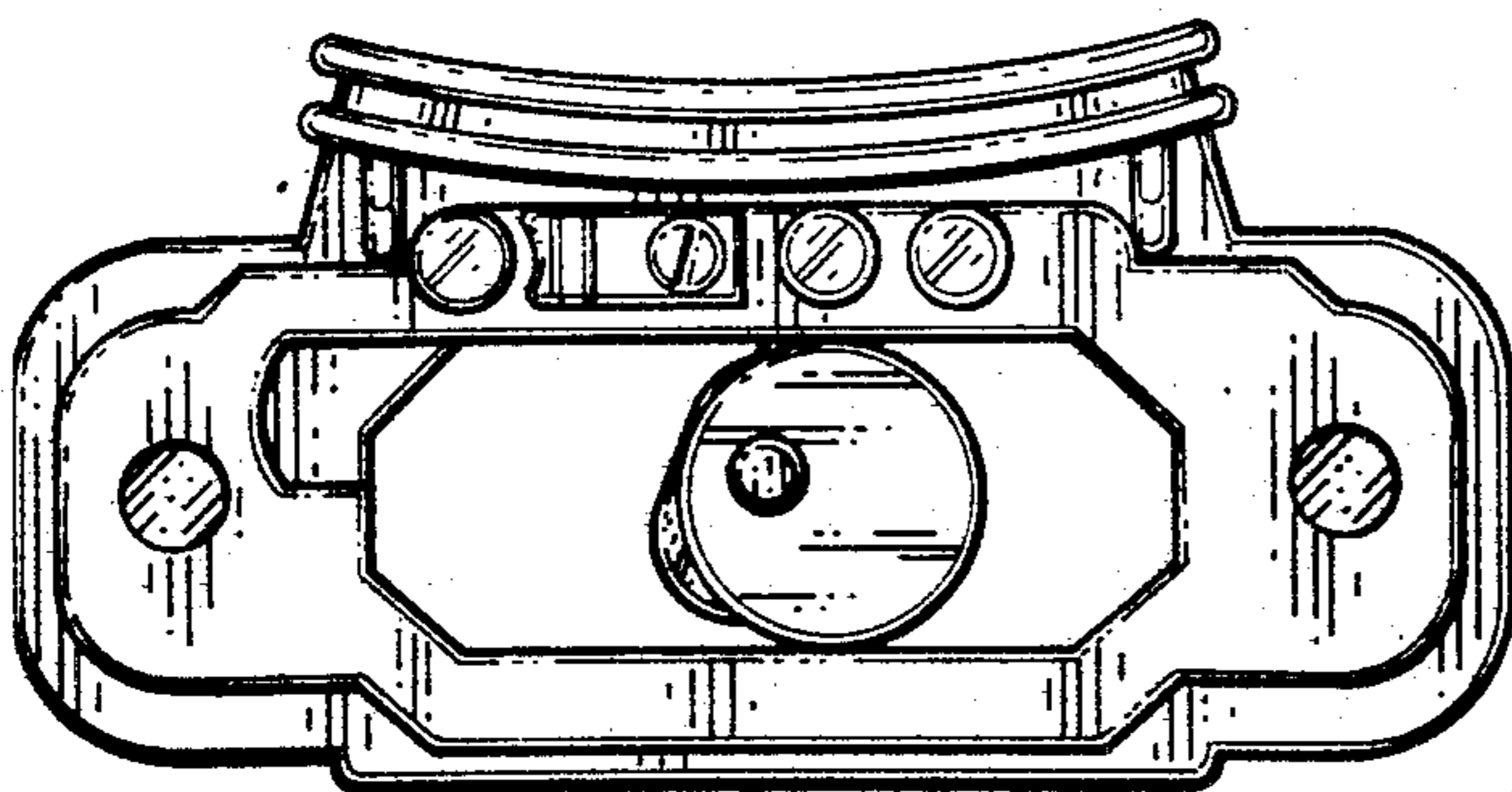


FIG. 5

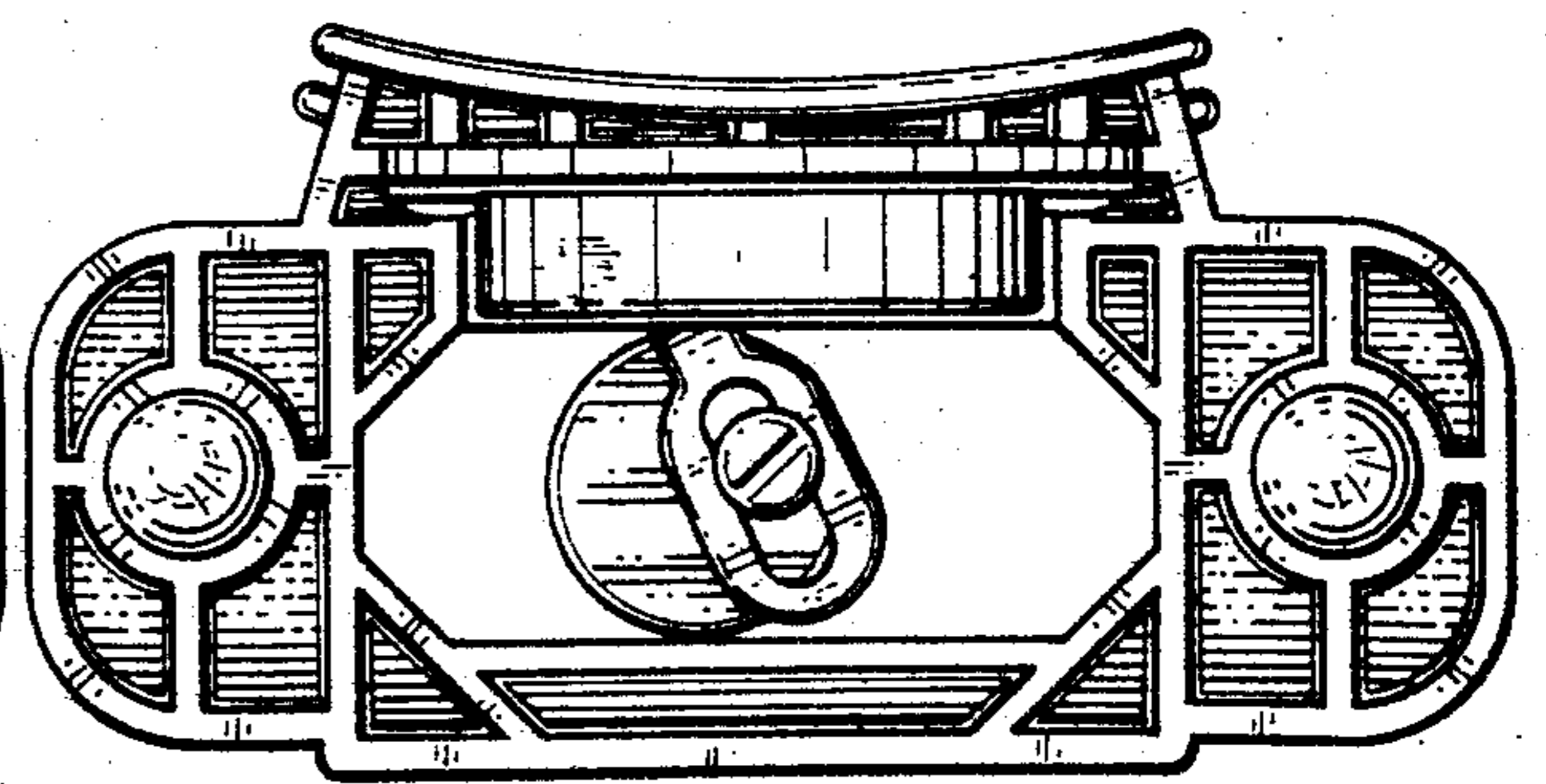


FIG. 6