

[54] FOLDING REAR PROJECTION SLIDE VIEWER

[75] Inventor: Udo M. Geissler, Munich, Fed. Rep. of Germany

[73] Assignee: Osram GmbH, Munich, Fed. Rep. of Germany

[*] Notice: The portion of the term of this patent subsequent to May 5, 2001 has been disclaimed.

[**] Term: 14 Years

[21] Appl. No.: 656,100

[22] Filed: Sep. 28, 1984

[52] U.S. Cl. D16/14

[58] Field of Search D16/11-15, D16/17, 18, 20, 21, 24-26; 353/15, 18, 39, 71, 74, 78, 79, 81, 101, 119; 40/361-367

[56] References Cited

U.S. PATENT DOCUMENTS

- D. 173,647 12/1954 Elle et al. D16/14
- D. 213,851 4/1969 Karow et al. D16/14
- D. 217,103 4/1970 Field et al. D16/24
- D. 219,176 11/1970 Single D16/14

- D. 264,091 4/1982 Link et al. D16/14 X
- D. 267,251 12/1982 Link et al. D16/14 X
- D. 267,328 12/1982 Runyan D16/14 X
- 3,804,504 4/1974 Scott D16/14 X

Primary Examiner—Louis S. Zarfes
Attorney, Agent, or Firm—Frishauf, Holtz, Goodman & Woodward

[57] CLAIM

The ornamental design for a folding rear projection slide viewer, as shown and described.

DESCRIPTION

FIG. 1 is a front-right perspective view of a folding rear projection slide viewer showing my new design; FIG. 2 is a front-left side perspective view thereof; FIG. 3 is a right side elevational view thereof; FIG. 4 is a left side elevational view thereof; FIG. 5 is a front elevational view thereof; FIG. 6 is a rear elevational view thereof; FIG. 7 is a front-left side perspective view of the slide viewer, with the screen elevated and its bellows unfolded; FIG. 8 is a left side elevational view thereof; FIG. 9 is a front-right side perspective view thereof; and FIG. 10 is a bottom plan view thereof.

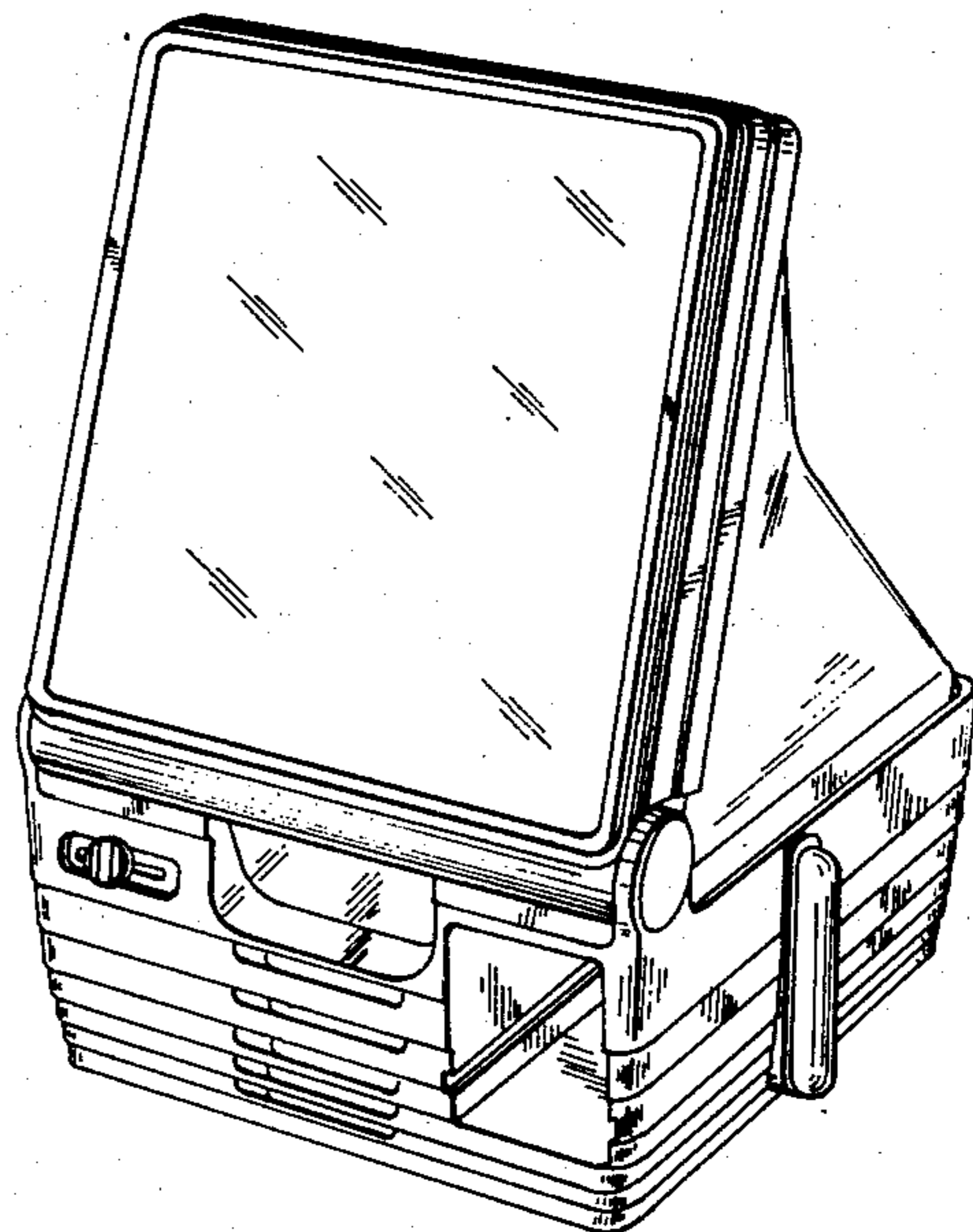
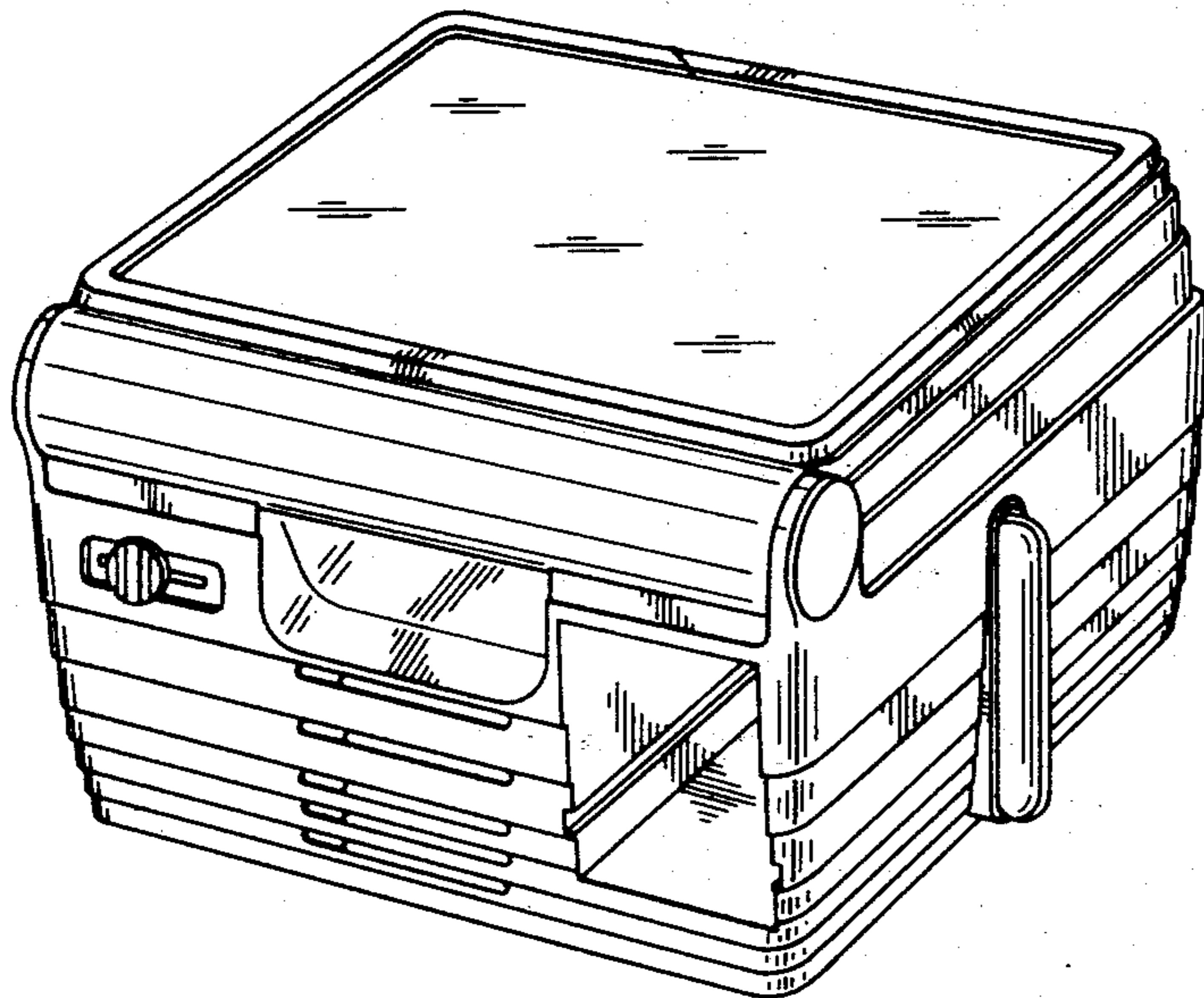


Fig. 1

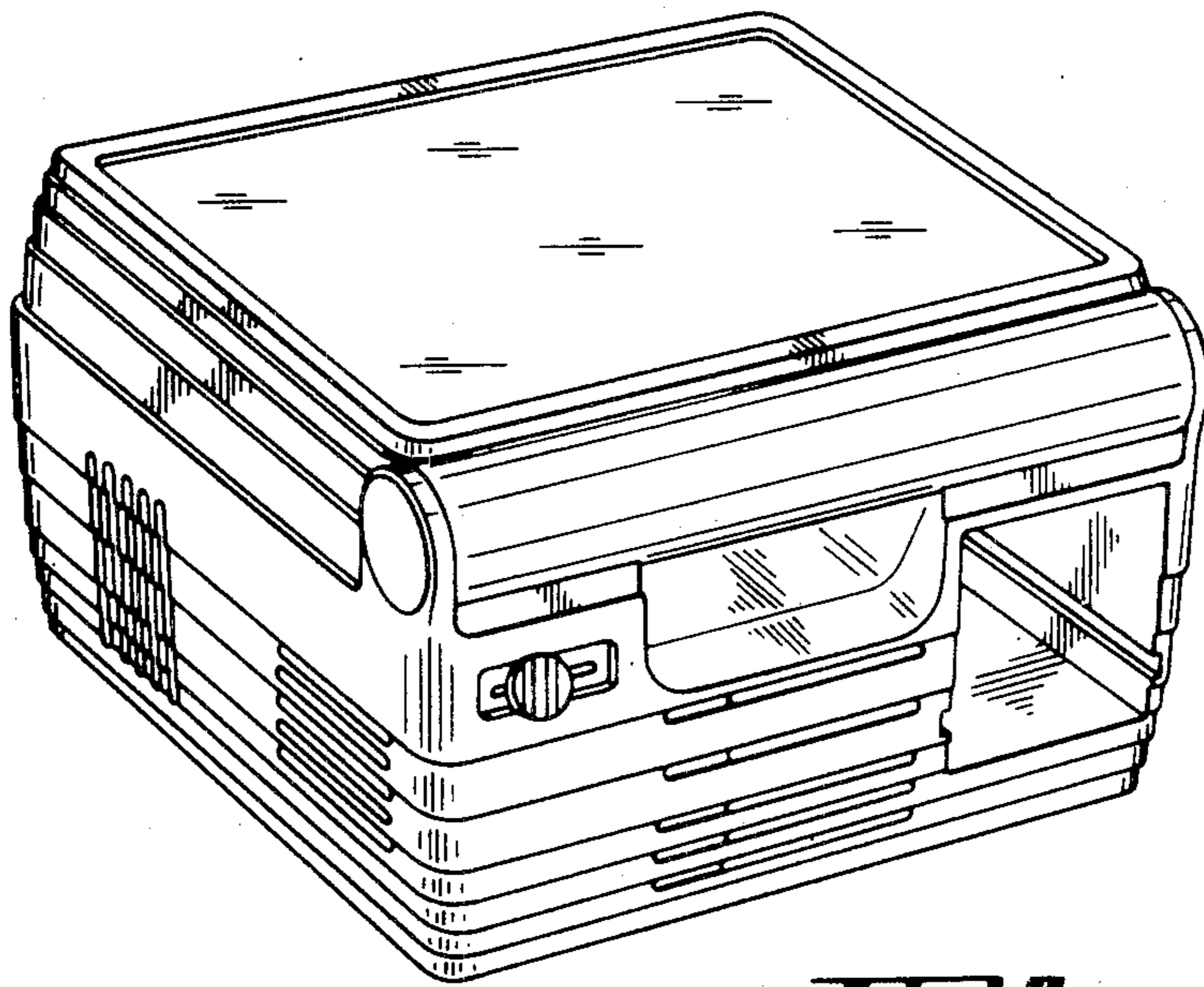
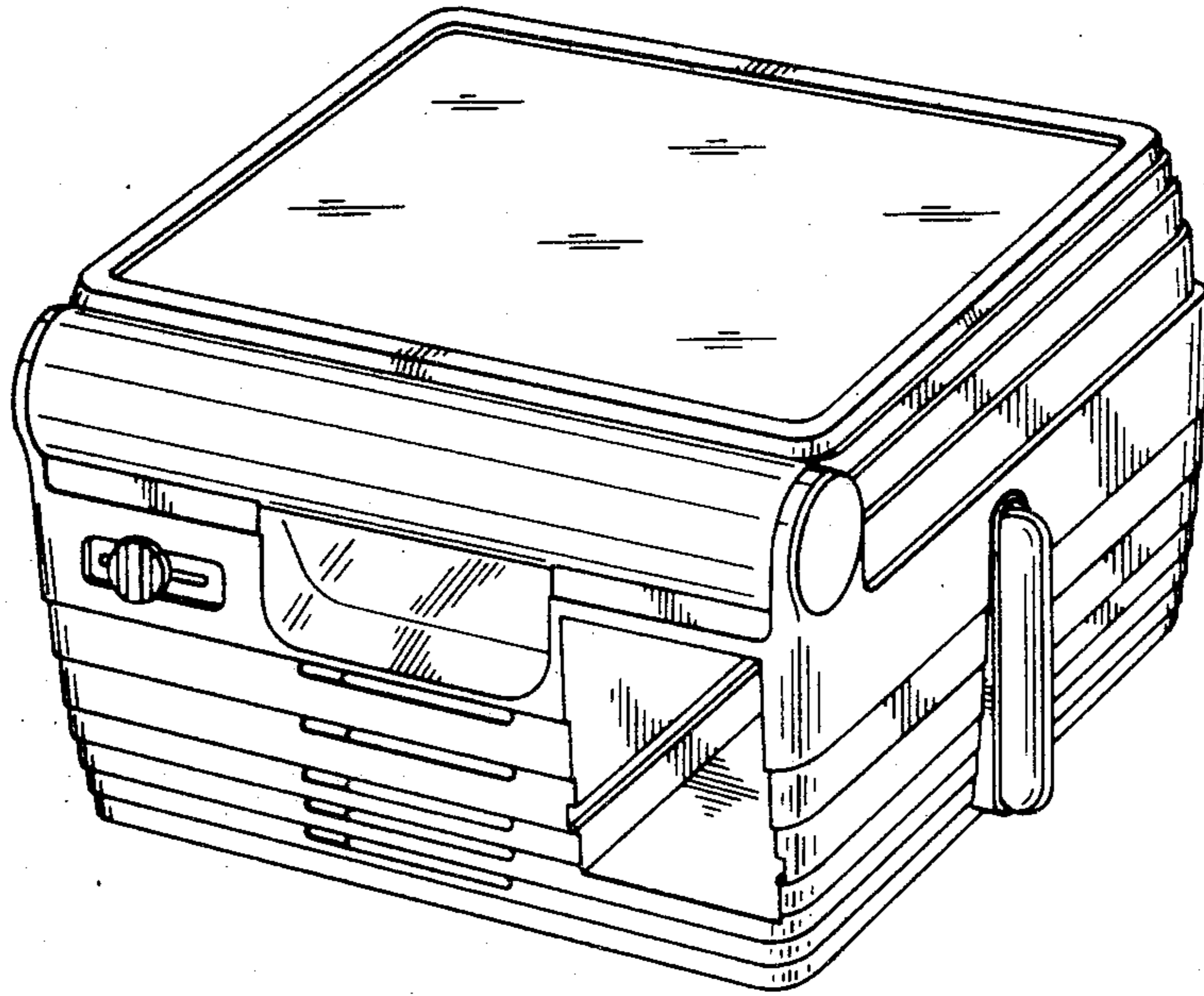


Fig. 2

Fig. 3

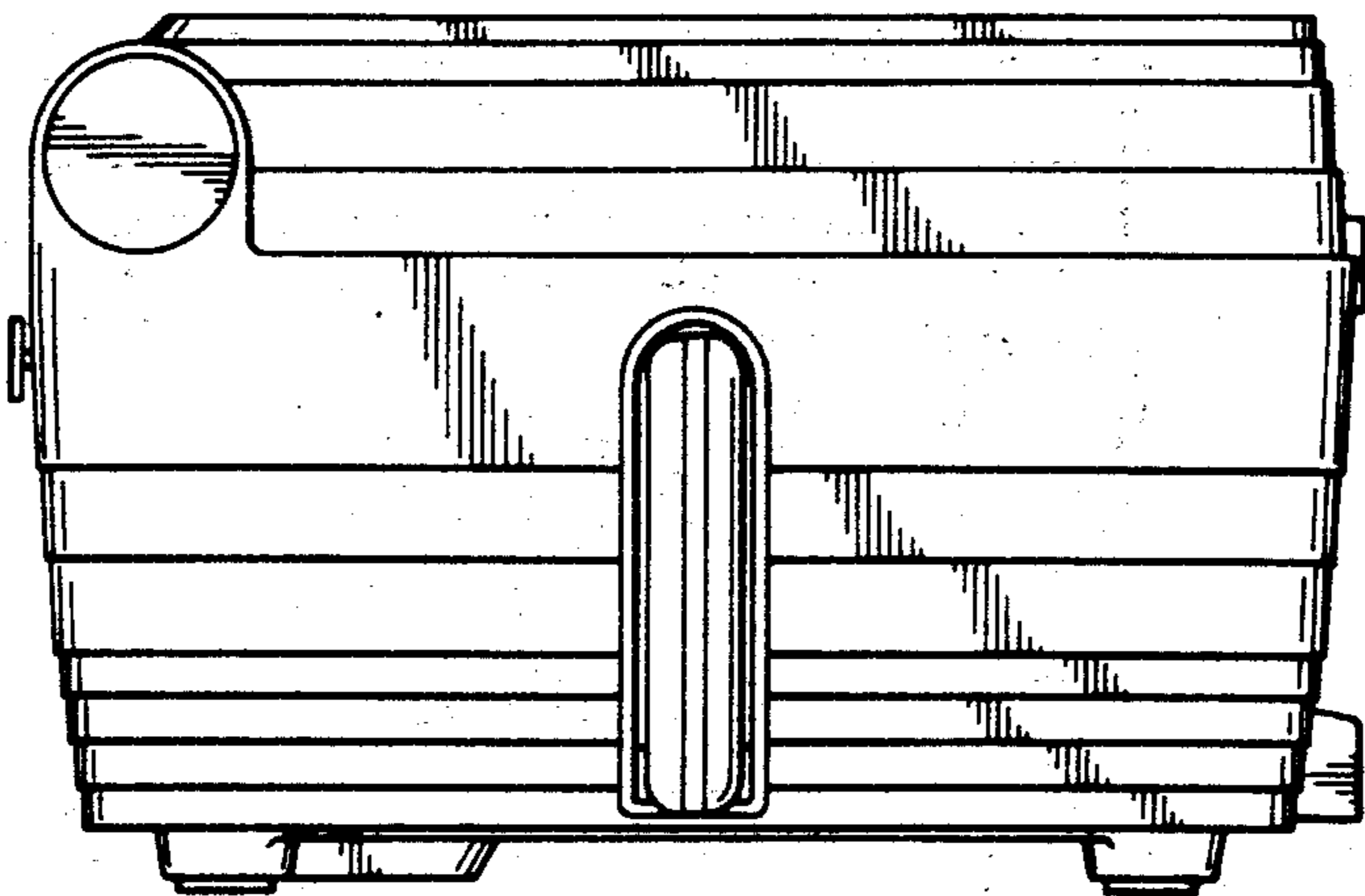


Fig. 4

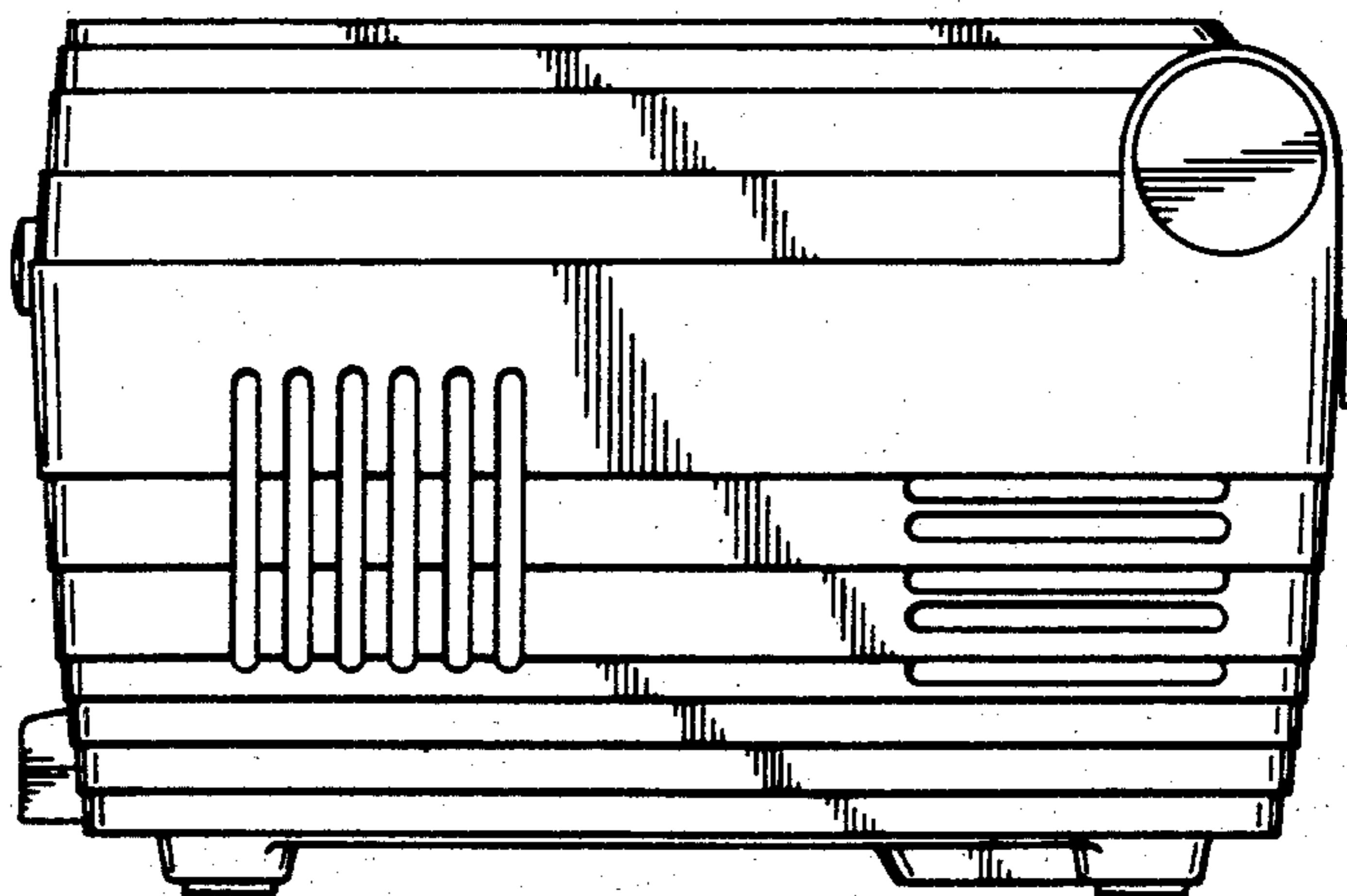


Fig. 5

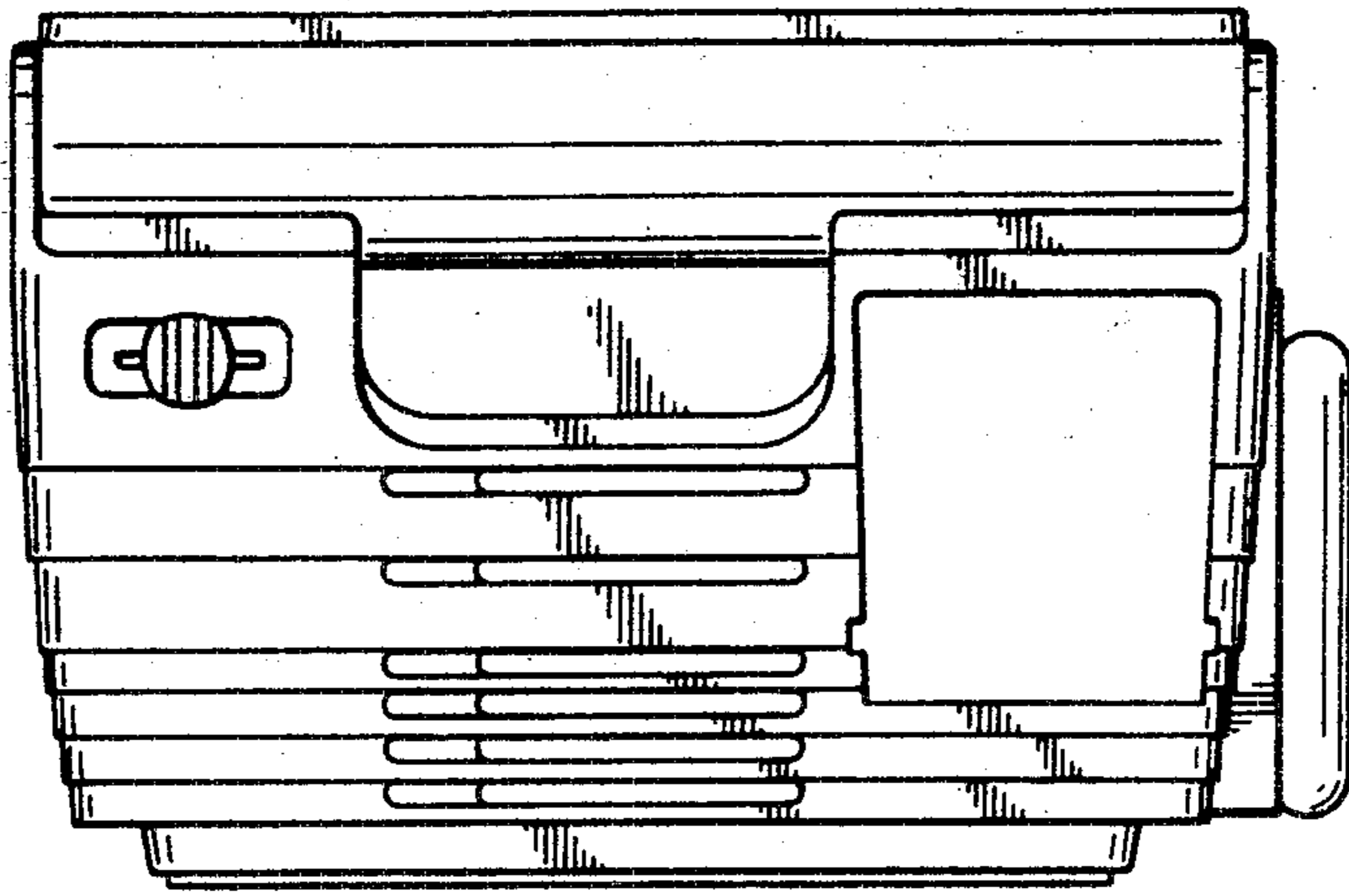


Fig. 6

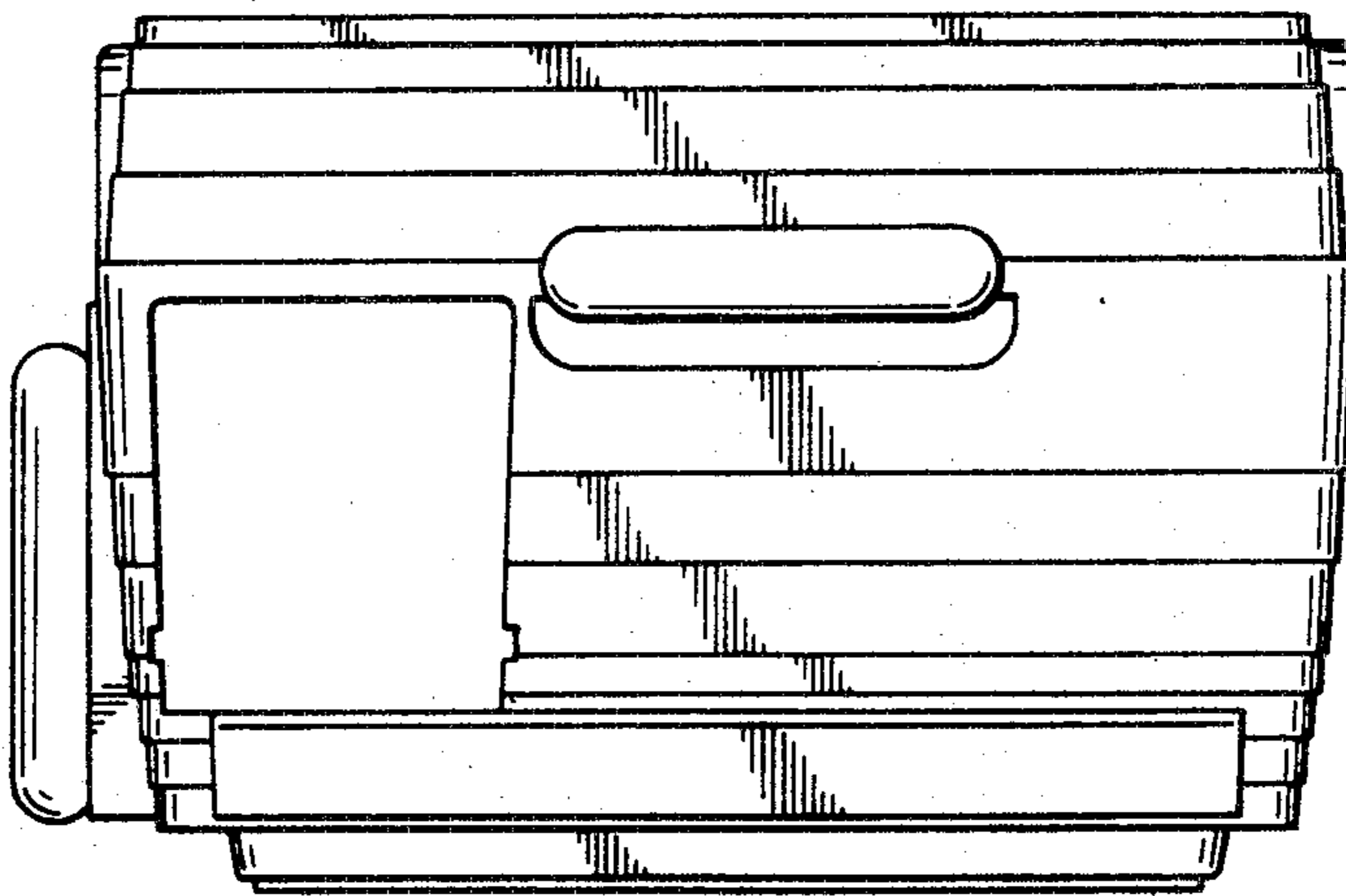


Fig. 7

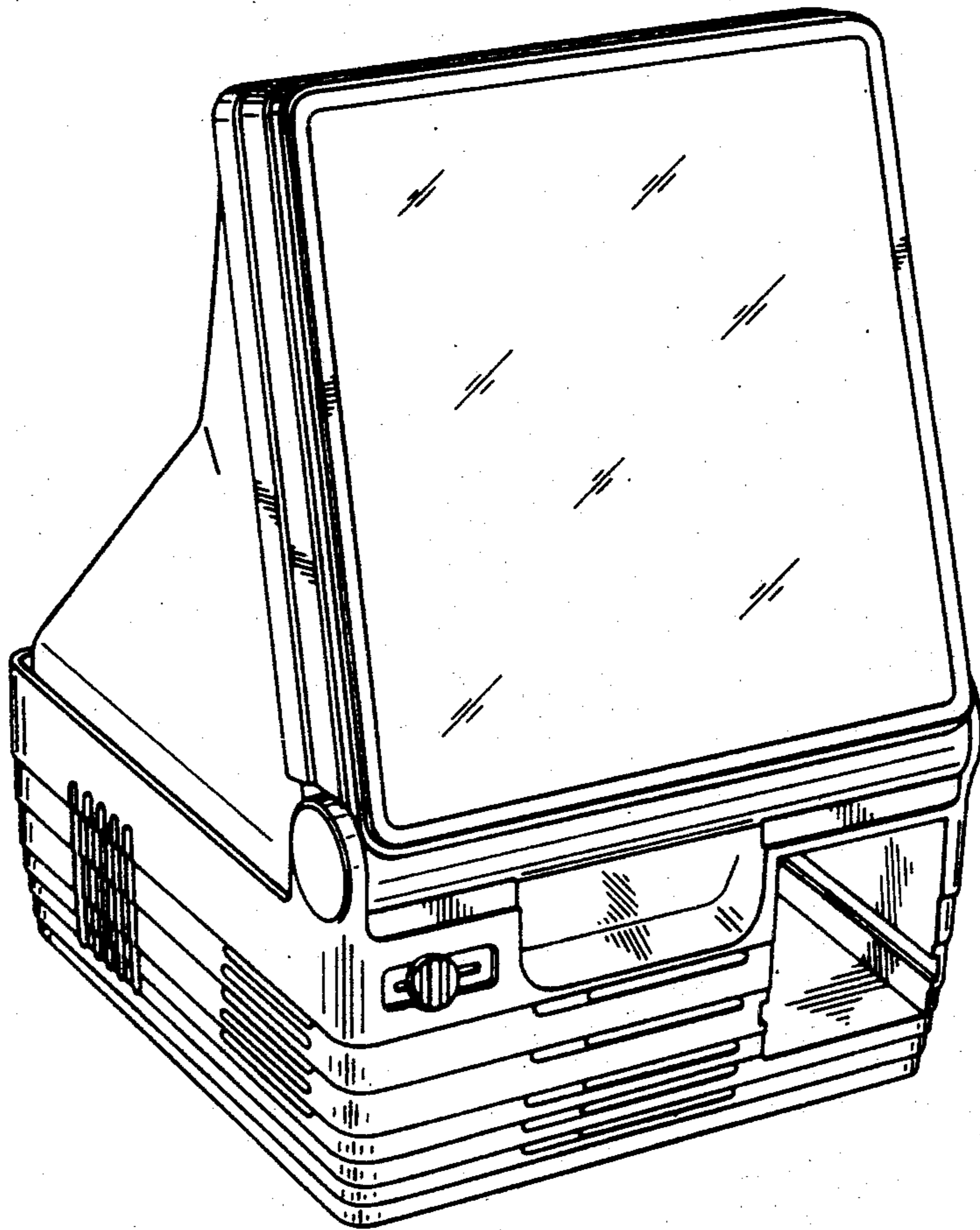
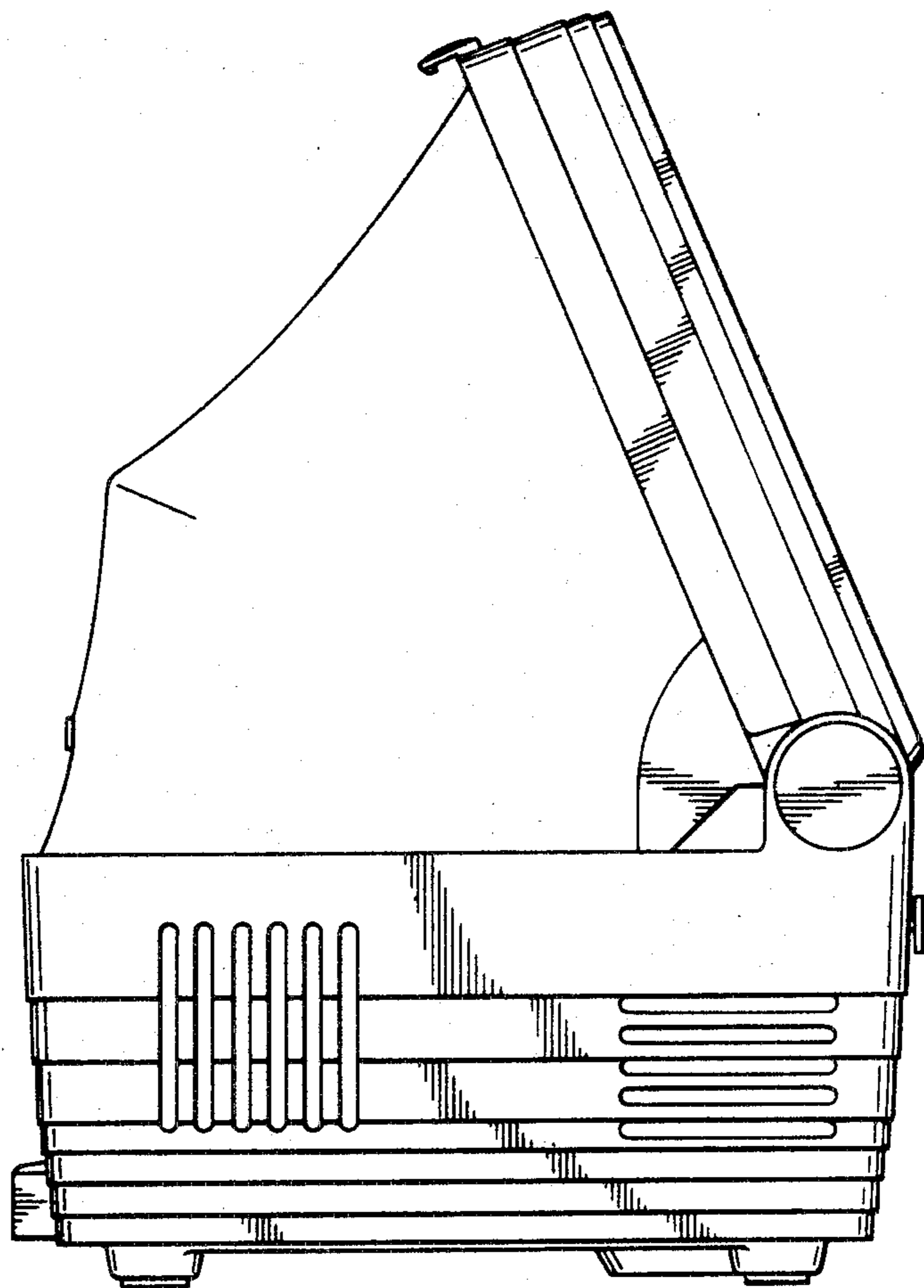


Fig. 8



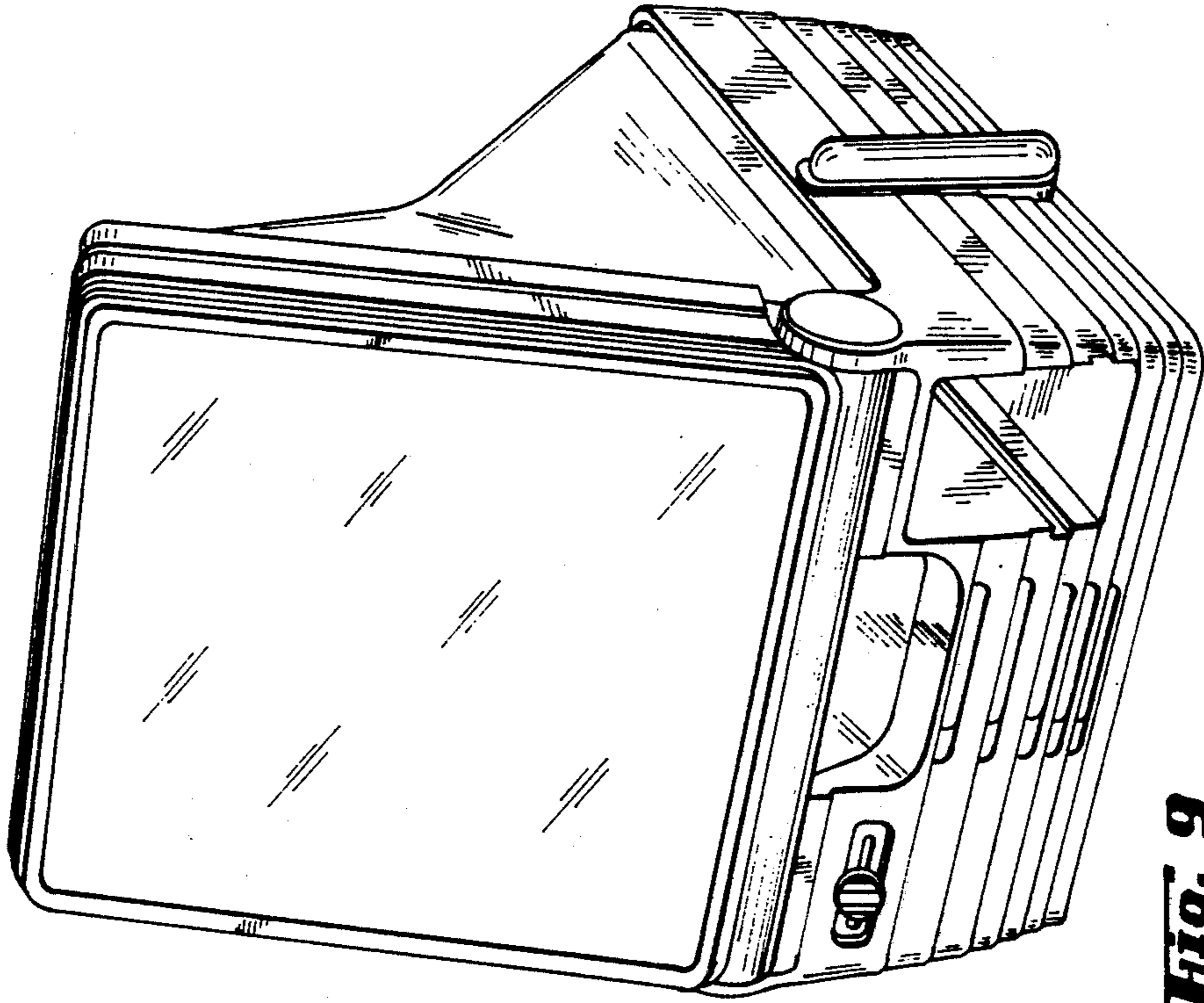


FIG. 9

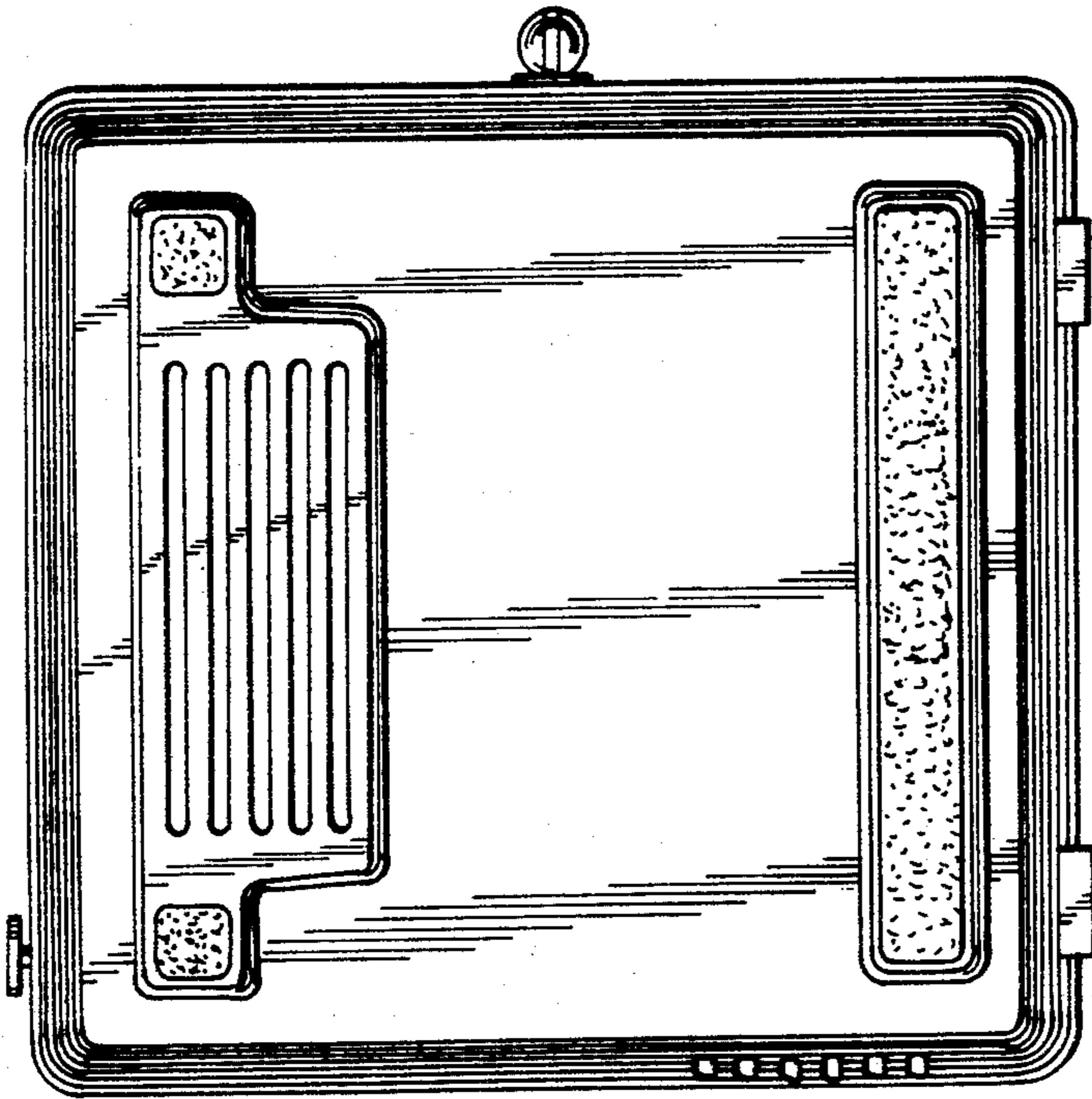


FIG. 10