

[54] SEWING MACHINE

[75] Inventor: Nobufusa Kuroki, Machida, Japan

[73] Assignee: Janome Sewing Machine Co., Ltd., Tokyo, Japan

[**] Term: 14 Years

[21] Appl. No.: 616,431

[22] Filed: May 31, 1984

[30] Foreign Application Priority Data

May 22, 1984 [JP] Japan 59-20438

[52] U.S. Cl. D15/69

[58] Field of Search D15/68-70; 112/63, 258-261

[56] References Cited

U.S. PATENT DOCUMENTS

- D. 223,866 6/1972 Yamamoto D15/69
- D. 270,535 9/1983 Katsuzaki D15/70

- D. 274,435 6/1984 Hanyu et al. D15/68
- 3,570,431 3/1971 Fresard 112/63 X
- 4,183,310 1/1980 Johnson 112/258 X
- 4,458,615 7/1984 Adams 112/260

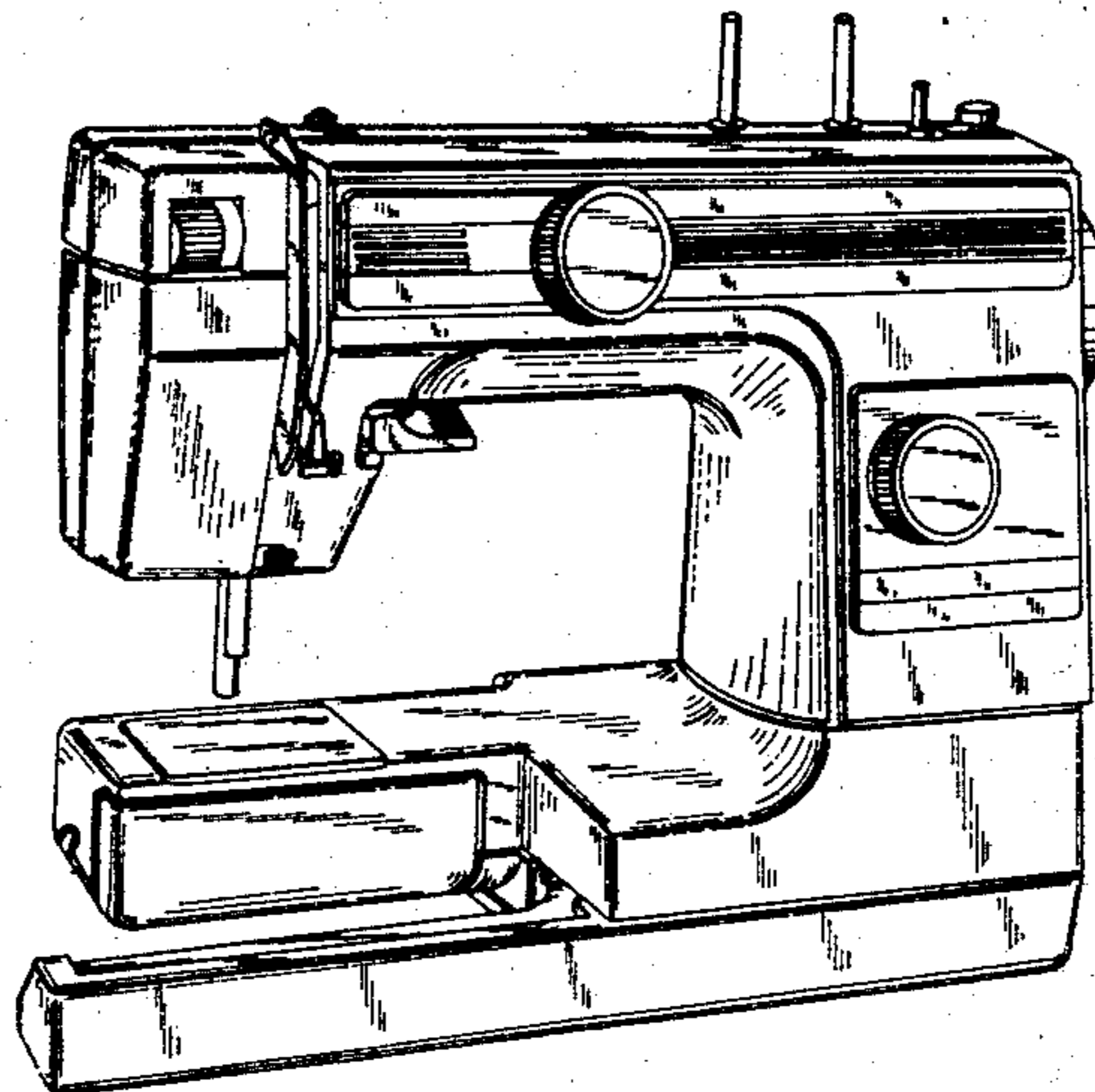
Primary Examiner—Charles A. Rademaker
Assistant Examiner—Linda Titolo
Attorney, Agent, or Firm—Michael J. Striker

[57] CLAIM

The ornamental design for a sewing machine, substantially as shown and described.

DESCRIPTION

FIG. 1 is a top front left side perspective view of a sewing machine, showing my new design; FIG. 2 is a front elevational view thereof; FIG. 3 is a rear elevational view thereof; FIG. 4 is a right side elevational view thereof; FIG. 5 is a left side elevational view thereof. FIG. 6 is a top plan view thereof; and FIG. 7 is a bottom plan view thereof.



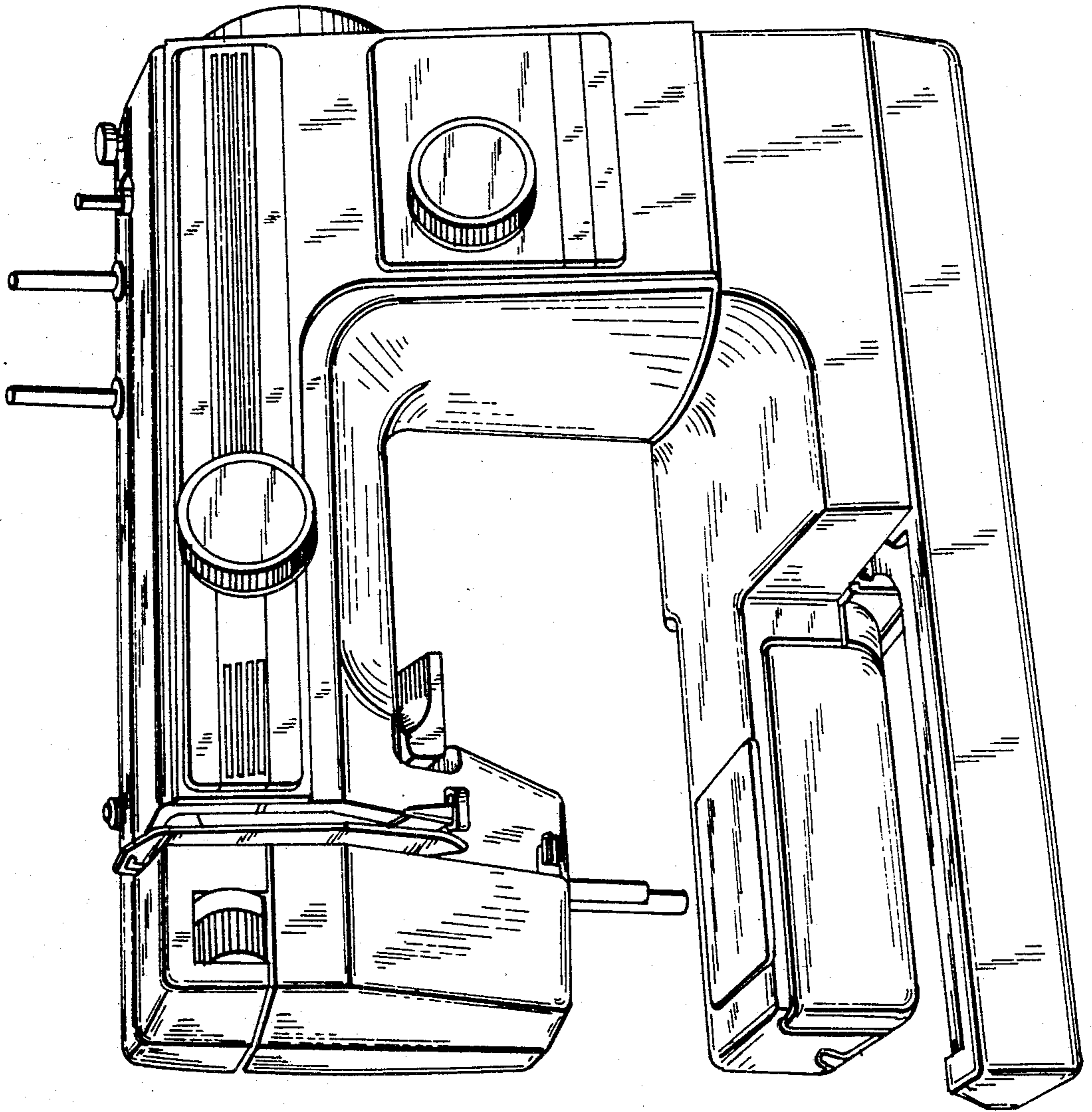


FIG. 1

FIG. 2

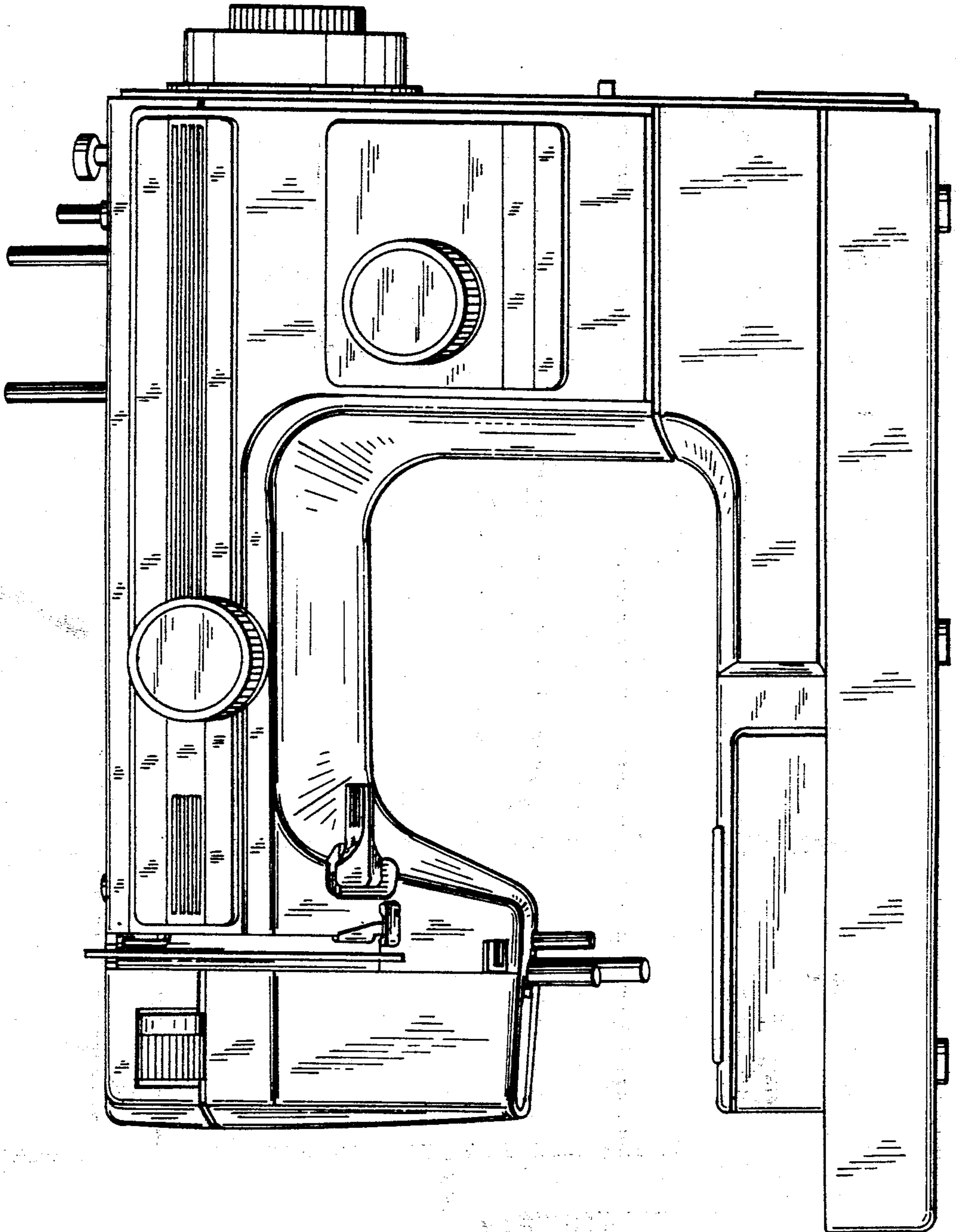


FIG. 3

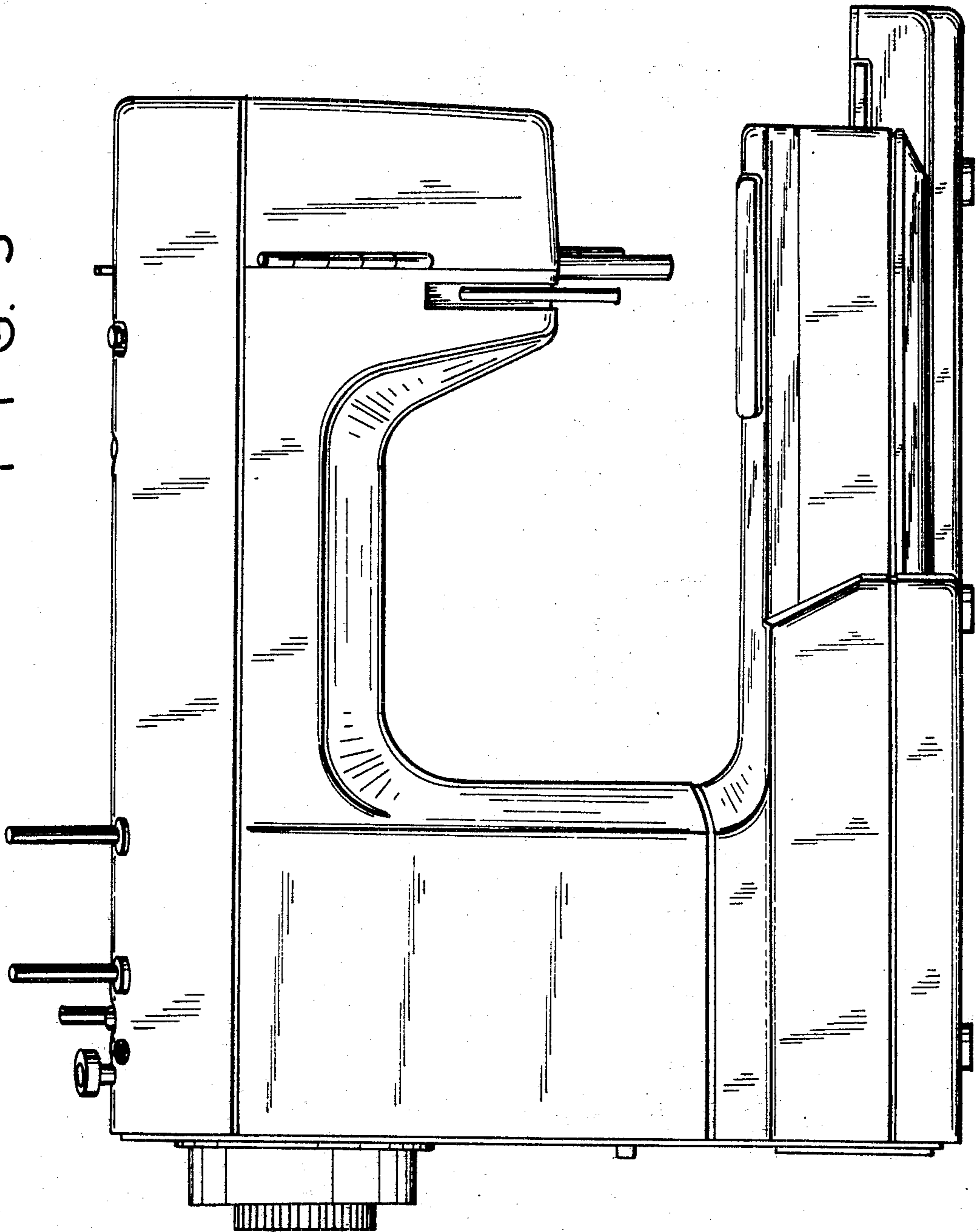


FIG. 4

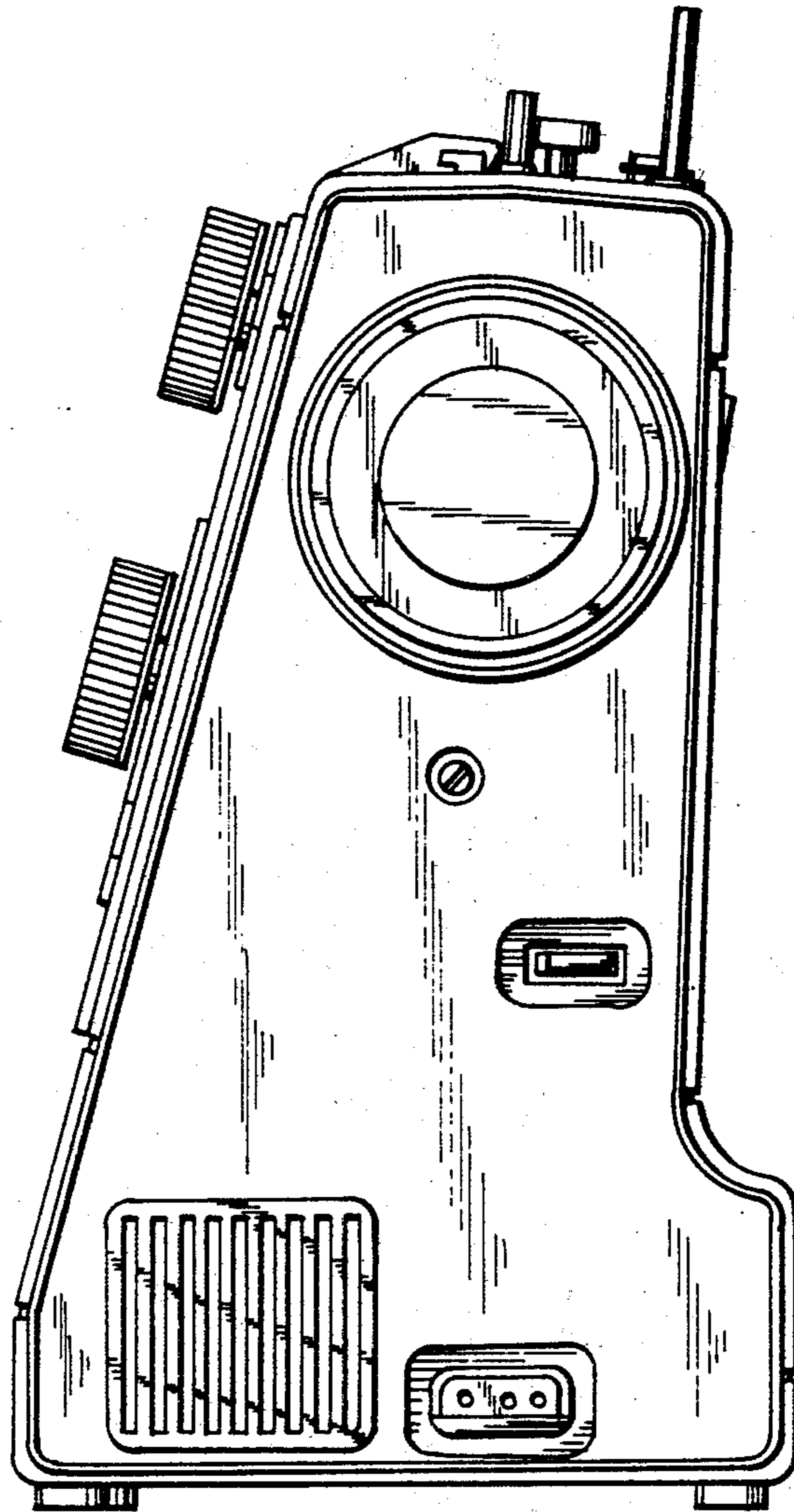


FIG. 5

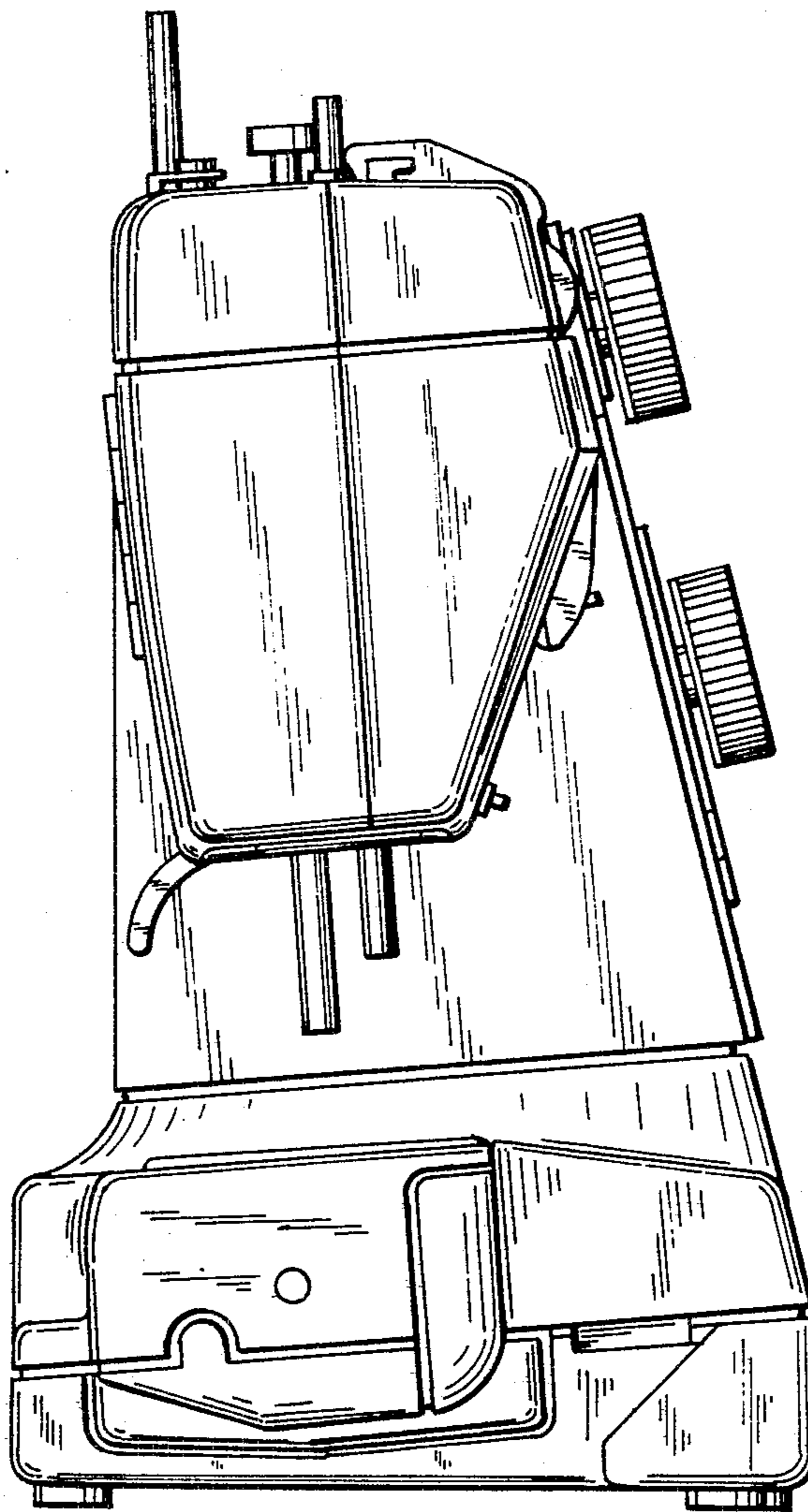


FIG. 6

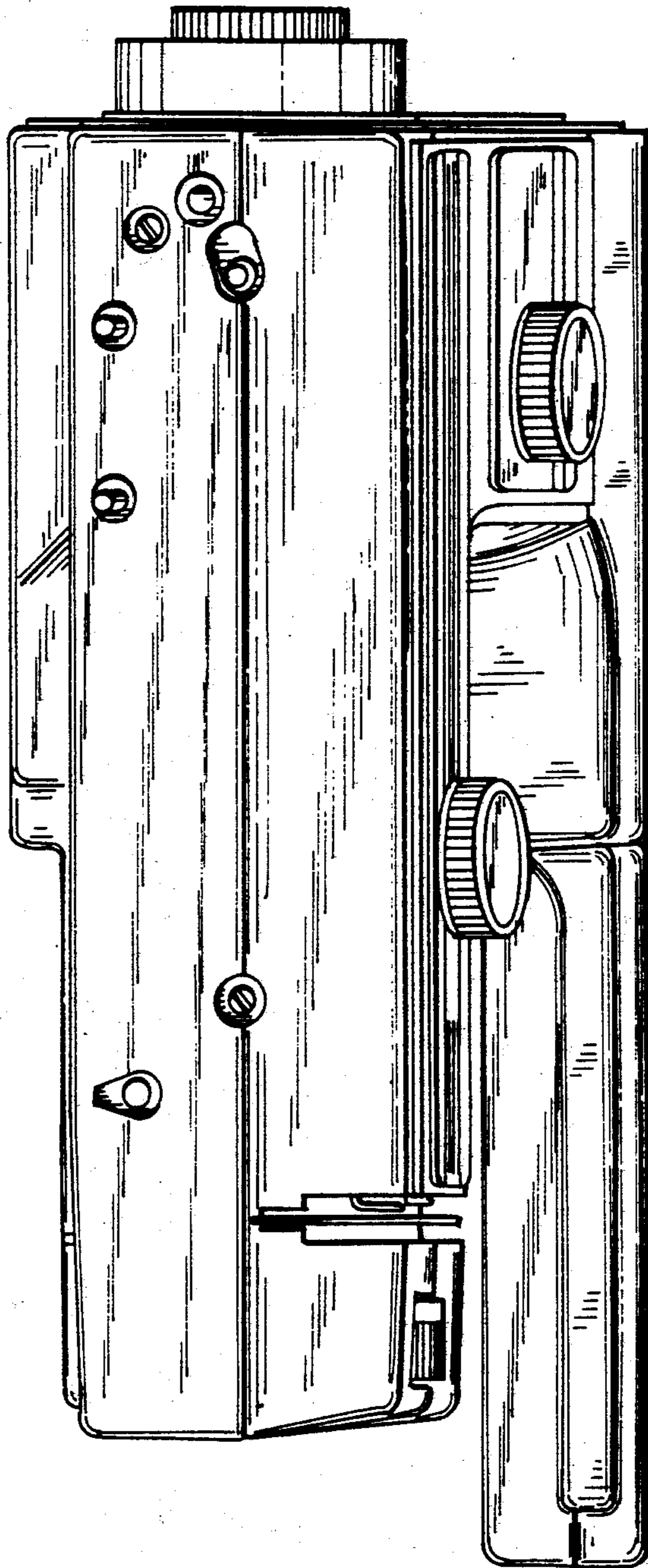


FIG. 7

