

[54] **PRINTER**

[75] Inventors: Toshiya Moriyama; Masaharu Sakamoto; Yasuo Nagamatsu; Isshin Miyamoto, all of Fukuoka, Japan

[73] Assignee: Matsushita Electric Industrial Co., Ltd., Osaka, Japan

[\*\*] Term: 14 Years

[21] Appl. No.: 627,573

[22] Filed: Jul. 3, 1984

[52] U.S. Cl. .... D14/111

[58] Field of Search ..... D14/100, 107, 111, 114; D18/13, 22, 23; 400/690.1, 691, 693

[56] **References Cited**

**U.S. PATENT DOCUMENTS**

D. 276,725 12/1984 Izaki ..... D14/111

**OTHER PUBLICATIONS**

Datamation, 6-1983, p. 163, Exxon Office Systems 965 Ink Jet Printer.

Sharp publication, Color Ink Jet Printer.

BYTE 1983 Nov. vol. 8, No. 11, pp. 319 and 461.

What MICRO 1983 Jun. p. 184.

*Primary Examiner*—Susan J. Lucas

*Attorney, Agent, or Firm*—Sughrue, Mion, Zinn,

Macpeak & Seas

[57] **CLAIM**

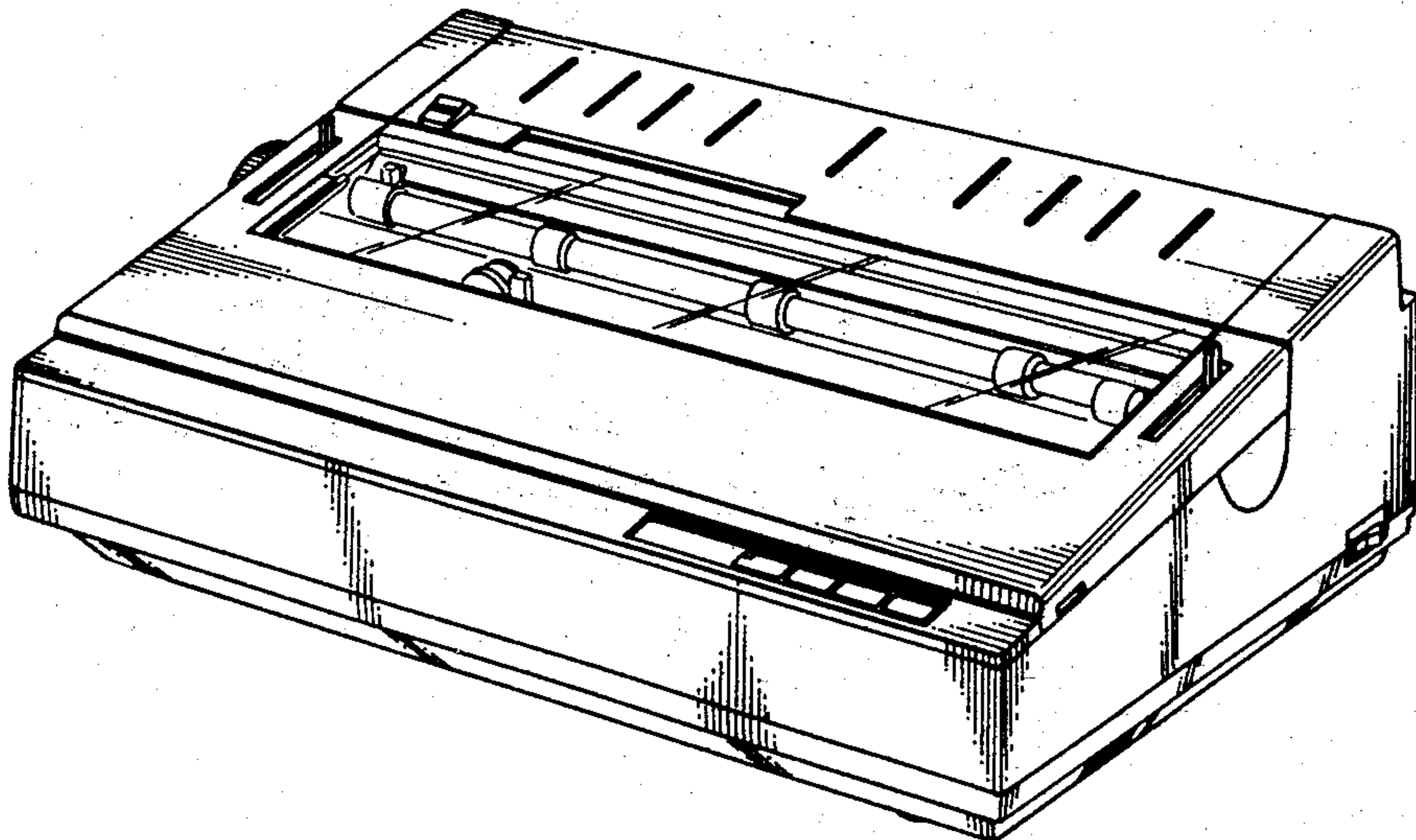
The ornamental design for a printer, as shown.

**DESCRIPTION**

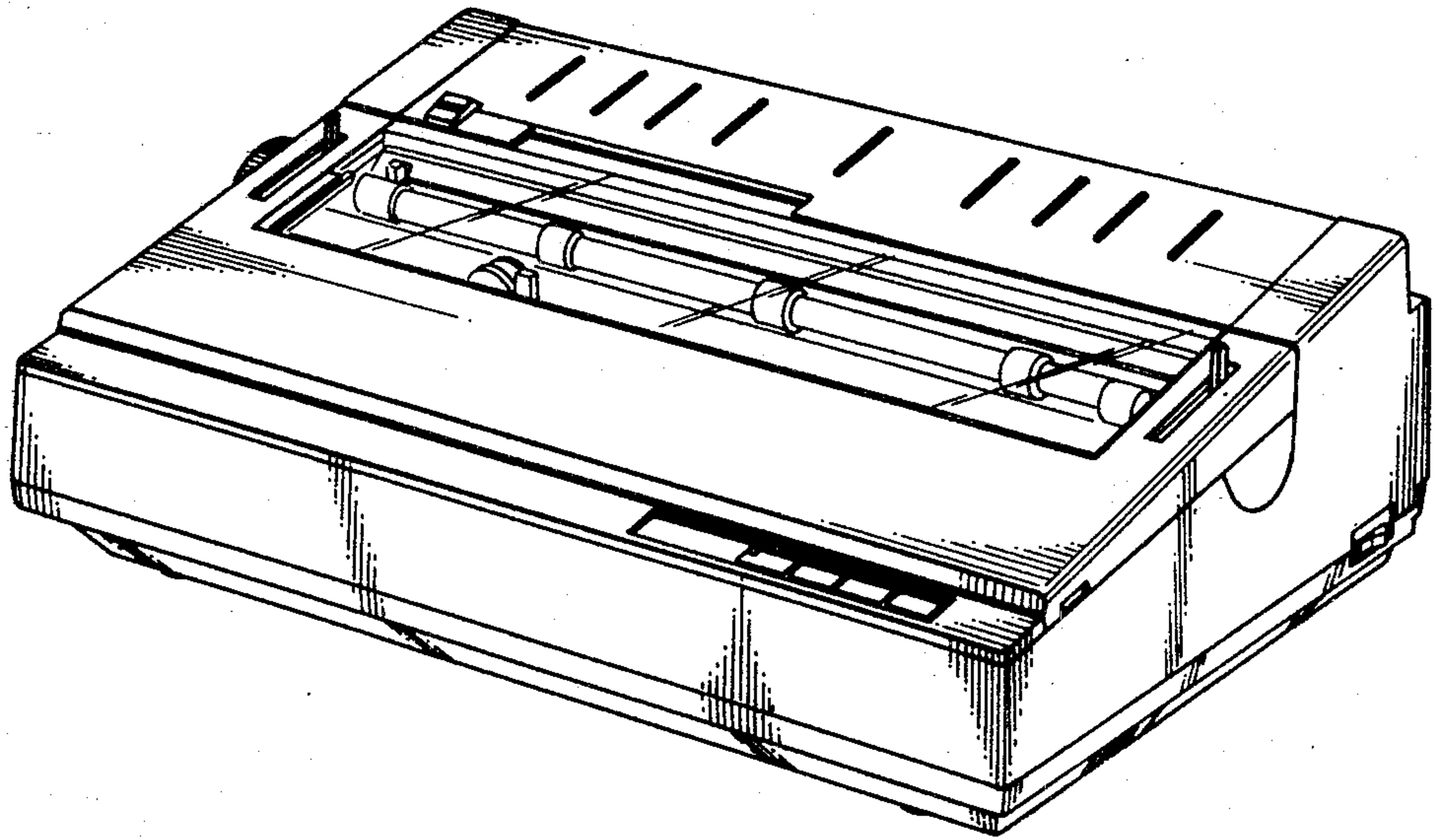
FIG. 1 is a front, top and right side perspective view of a printer showing our new designs;

FIG. 2 is a rear, bottom and left side perspective view thereof; and

FIG. 3 is a top plan view thereof.



*Fig. 1*



*Fig. 2*

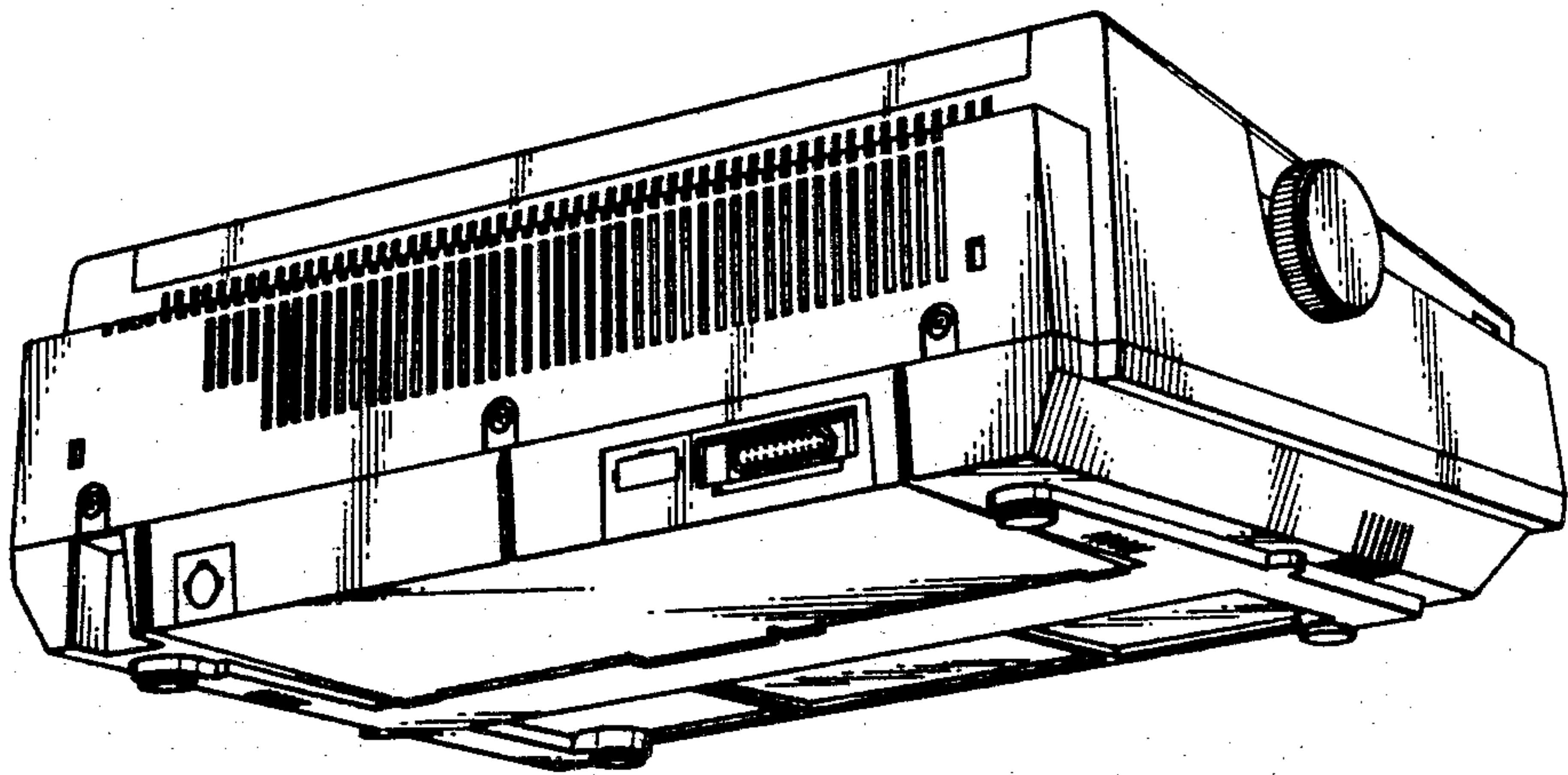


Fig. 3

