

[54] INTERCOM ROOM STATION UNIT

[75] Inventor: Gunter H. Koob, East Malvern, Australia

[73] Assignee: Electron Corporation (AUST.) Pty. Ltd., Australia

[**] Term: 14 Years

[21] Appl. No.: 619,651

[22] Filed: Jun. 11, 1984

[30] Foreign Application Priority Data

Feb. 23, 1984 [AU] Australia 6599/84
[52] U.S. Cl. D14/92
[58] Field of Search D14/1, 6, 92, 99;
179/37, 38, 39, 40; 455/89

[56] References Cited

U.S. PATENT DOCUMENTS

D. 244,877 6/1977 McLaughlin D14/6 X

D. 269,780 7/1983 Doodson D14/92 X
D. 274,518 7/1984 Doodson D14/92
D. 278,054 3/1985 Vajdaffy D14/92 X
D. 281,500 11/1985 Yamagata et al. D14/92
D. 281,501 11/1985 Yamagata et al. D14/92
4,019,139 4/1977 Ortega 455/89 X

OTHER PUBLICATIONS

Radio Shack 1983 Catalog, p. 107, bottom of page, and p. 109, top left of page.

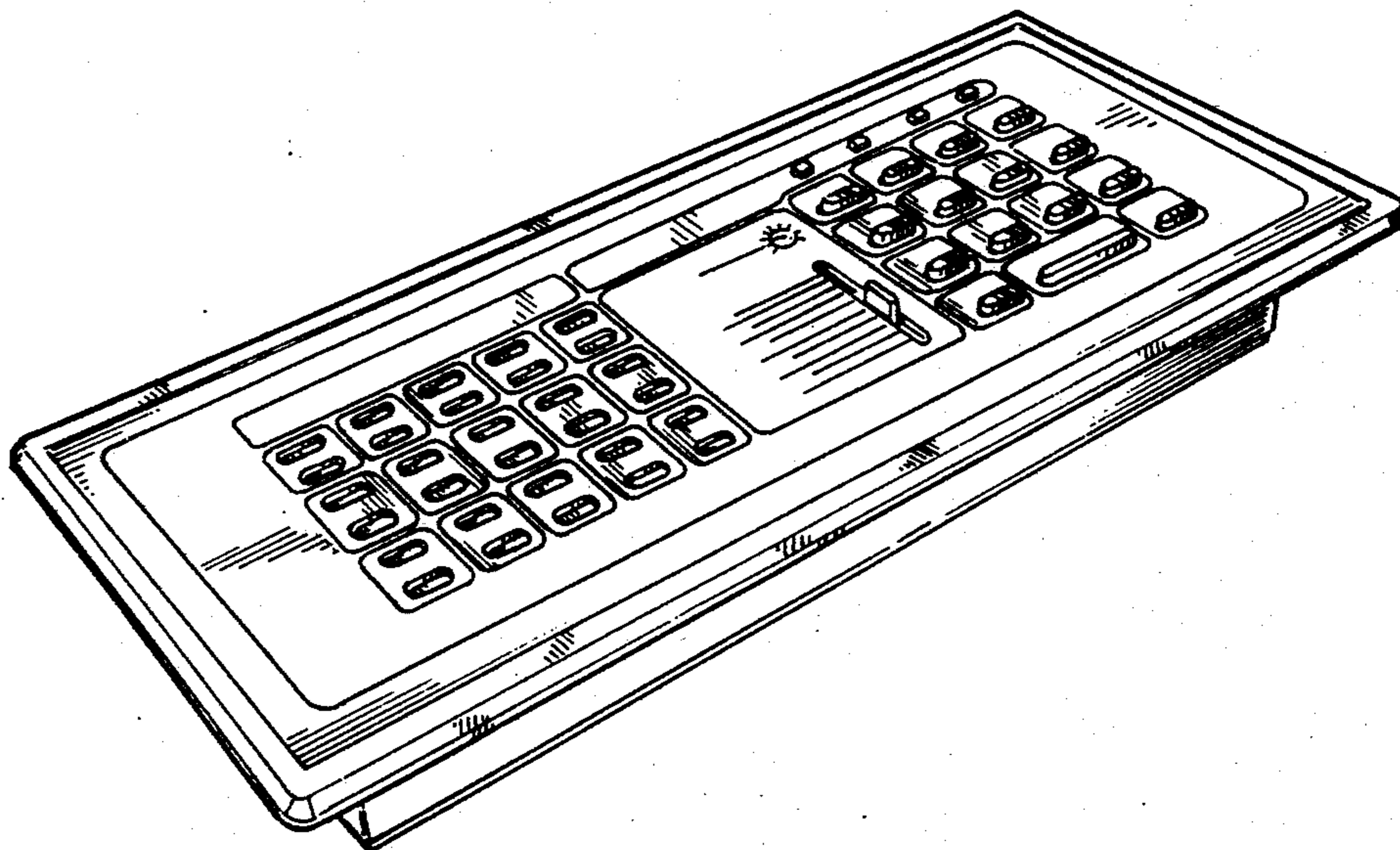
Primary Examiner—Bernard Ansher
Assistant Examiner—Theodore M. Shooman
Attorney, Agent, or Firm—Griffin, Branigan, & Butler

[57] CLAIM

The ornamental design for an intercom room station unit, as shown.

DESCRIPTION

FIG. 1 is a top perspective view of an intercom room station unit showing my new design; and FIG. 2 is a bottom perspective view thereof.



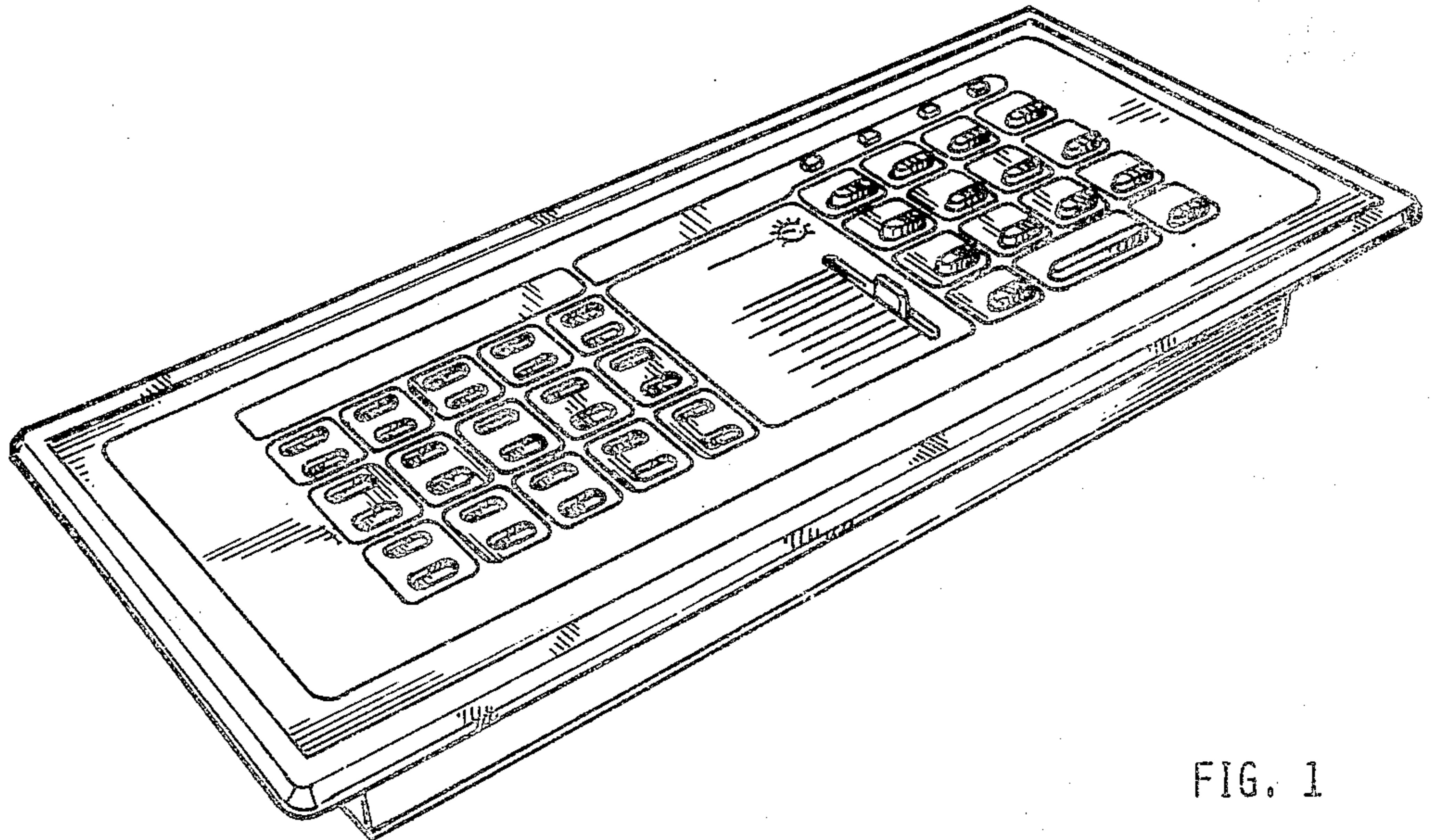


FIG. 1

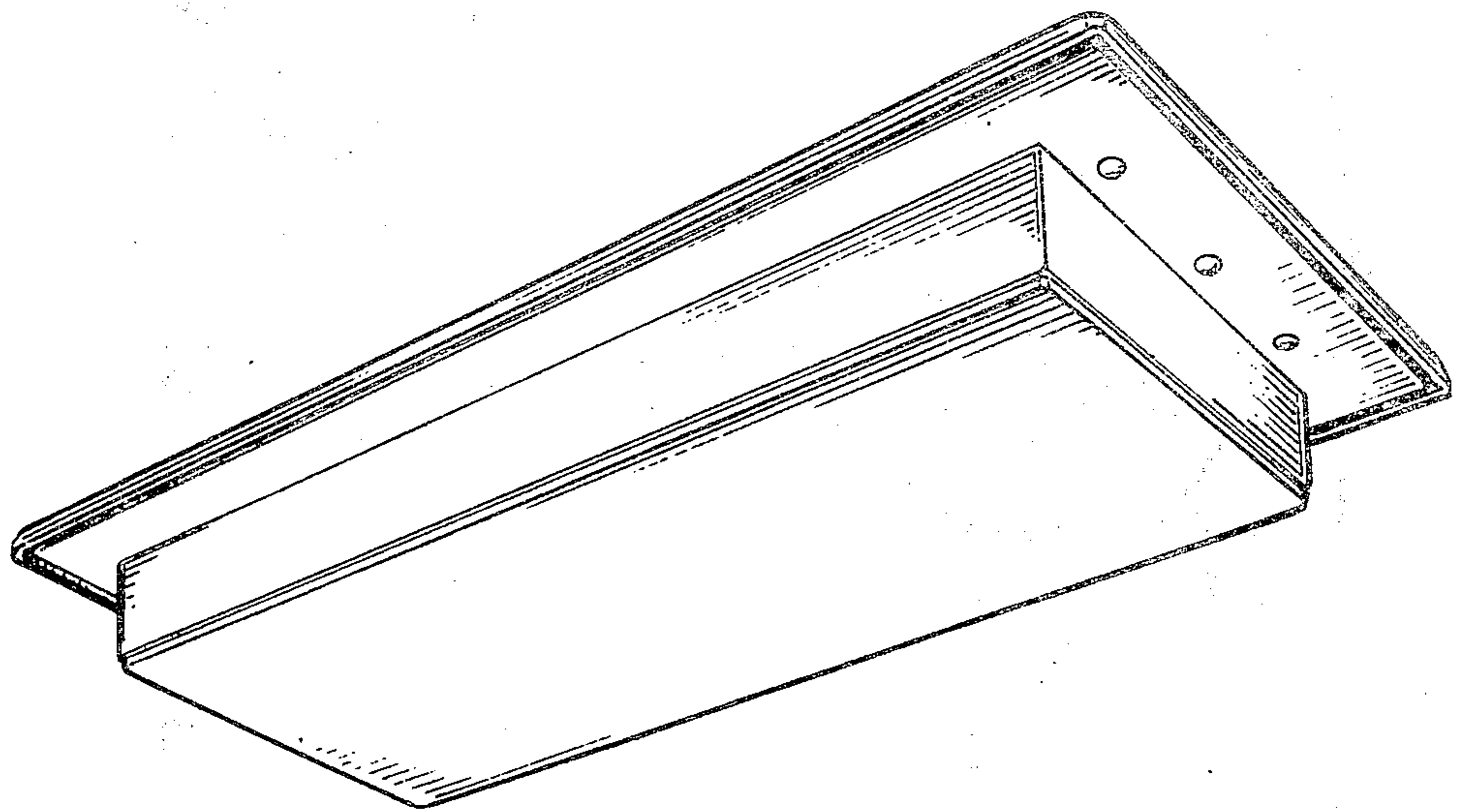


FIG. 2