

[54] ELECTRICAL CONNECTOR OR SIMILAR ARTICLE

3,424,414 1/1969 Horwitt ..... 339/128 X  
4,284,313 8/1981 Anhalt ..... 339/91 R X  
4,468,535 8/1984 Law ..... 174/65

[75] Inventor: Joseph P. Law, Scotch Plains, N.J.

OTHER PUBLICATIONS

[73] Assignee: Thomas & Betts Corporation, Raritan, N.J.

Electronic Design, 5-12-1983, p. 117, Cable Connector AMP Incor. bottom right.

[\*\*] Term: 14 Years

Primary Examiner—Susan J. Lucas  
Attorney, Agent, or Firm—Robert M. Rodrick; Salvatore J. Abbruzzese

[21] Appl. No.: 643,562

[22] Filed: Aug. 23, 1984

[52] U.S. Cl. .... D13/24

[58] Field of Search ..... D13/24, 25-31; 339/97 R, 198 R, 98, 99 R, 91 R, 128

[57] CLAIM

The ornamental design for a electrical connector or similar article, as shown and described.

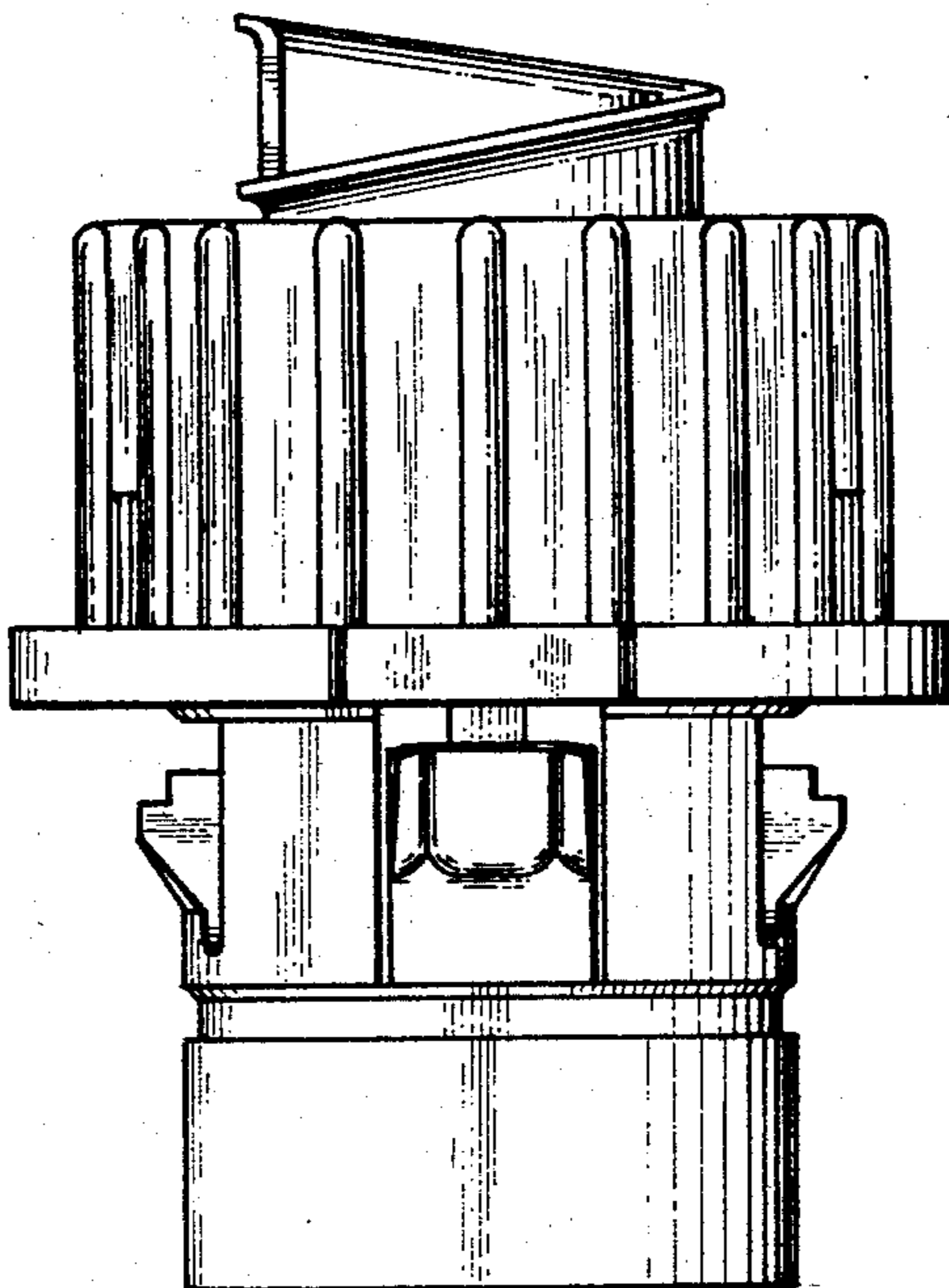
[56] References Cited

DESCRIPTION

U.S. PATENT DOCUMENTS

D. 233,991	12/1974	Smith et al. ....	D13/24
D. 256,231	8/1980	Laudig .....	D13/24
D. 259,636	6/1981	Coppell .....	D13/24
3,052,748	9/1962	Curtiss .....	174/51

FIG. 1 is a front elevation view of the electrical connector or similar article showing my new design;  
FIG. 2 is a side elevational view thereof as seen from the left of FIG. 1;  
FIG. 3 is a top plan view thereof;  
FIG. 4 is a bottom plan view thereof.



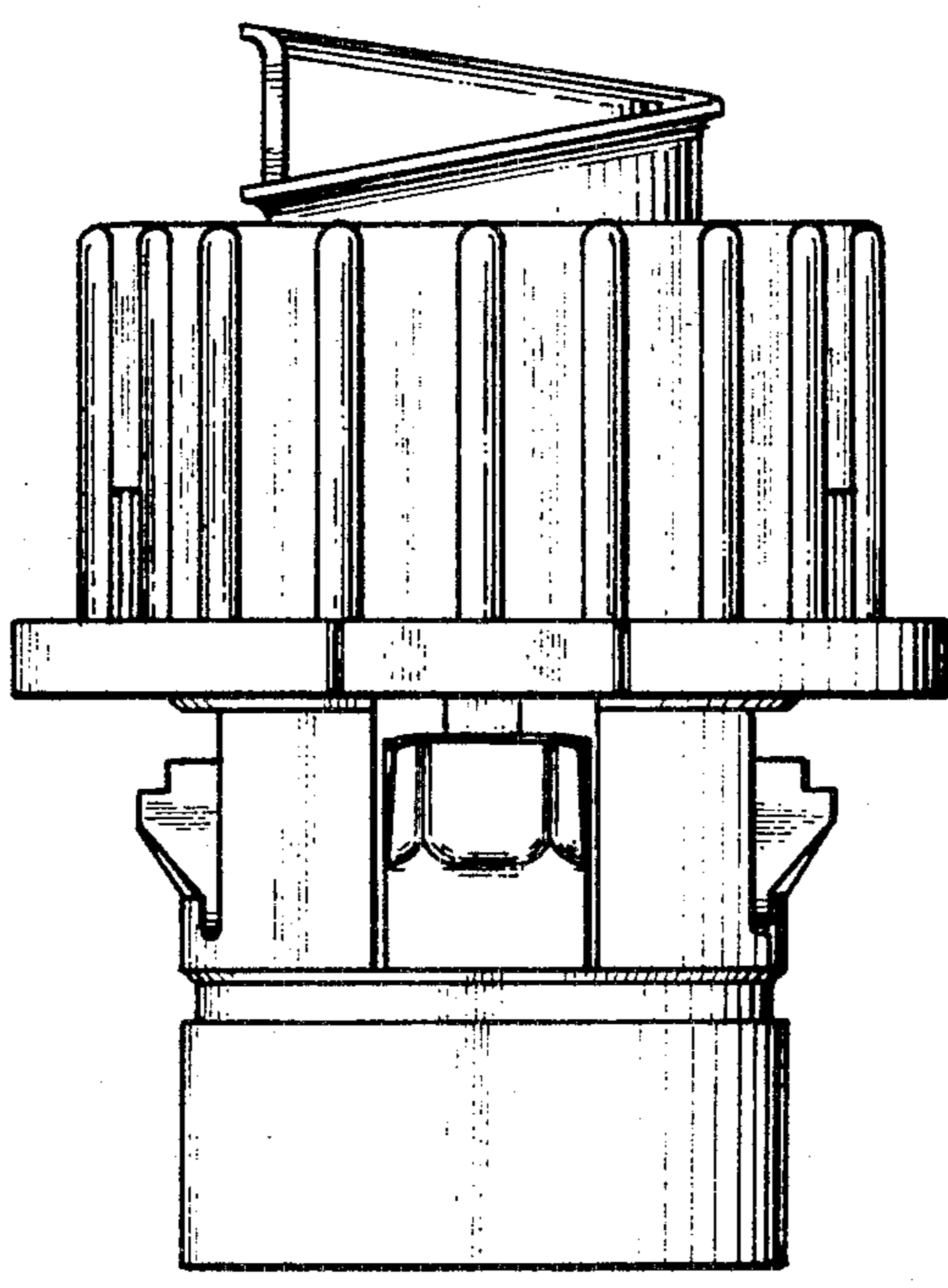


FIG. 1

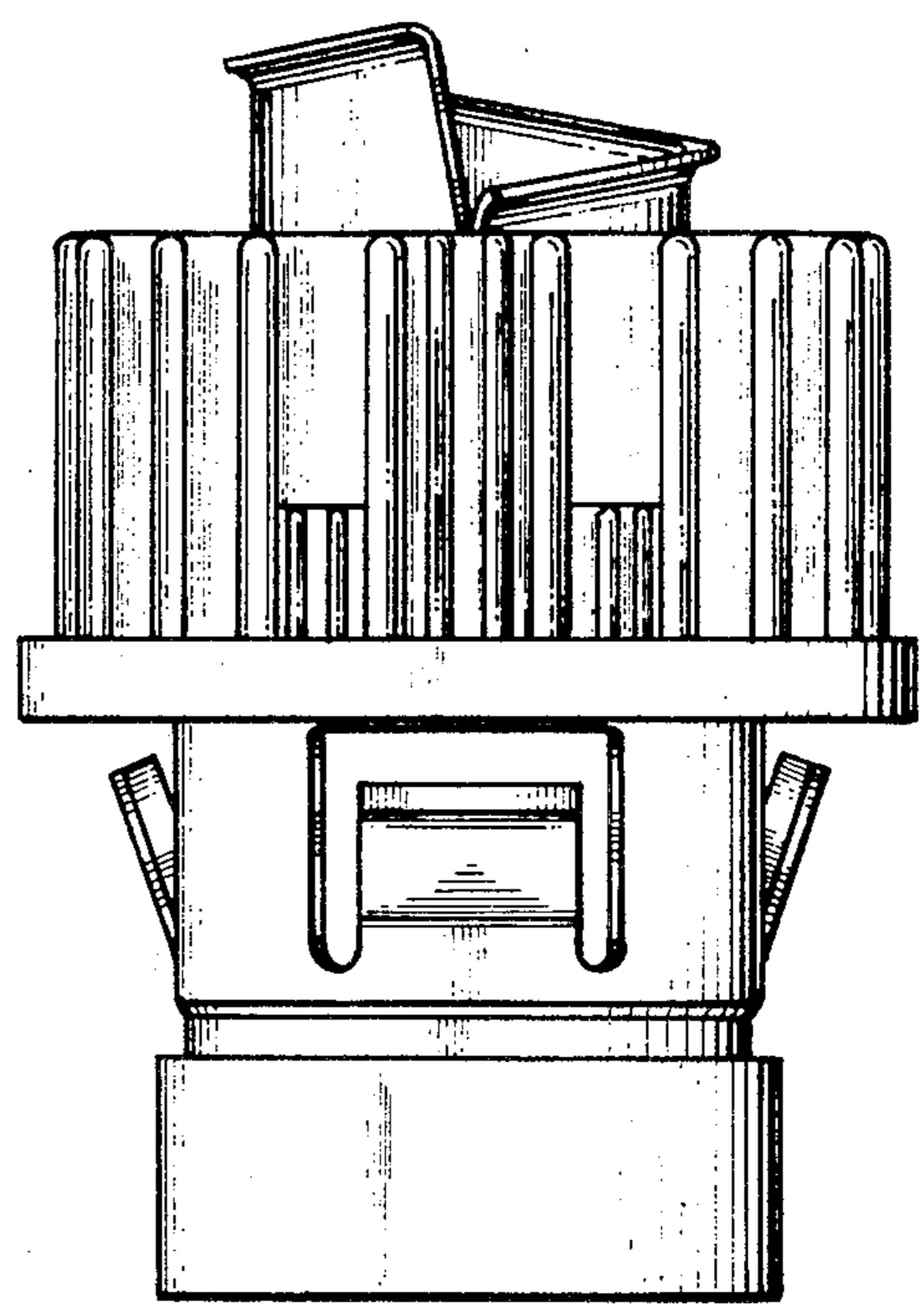


FIG. 2

FIG. 3

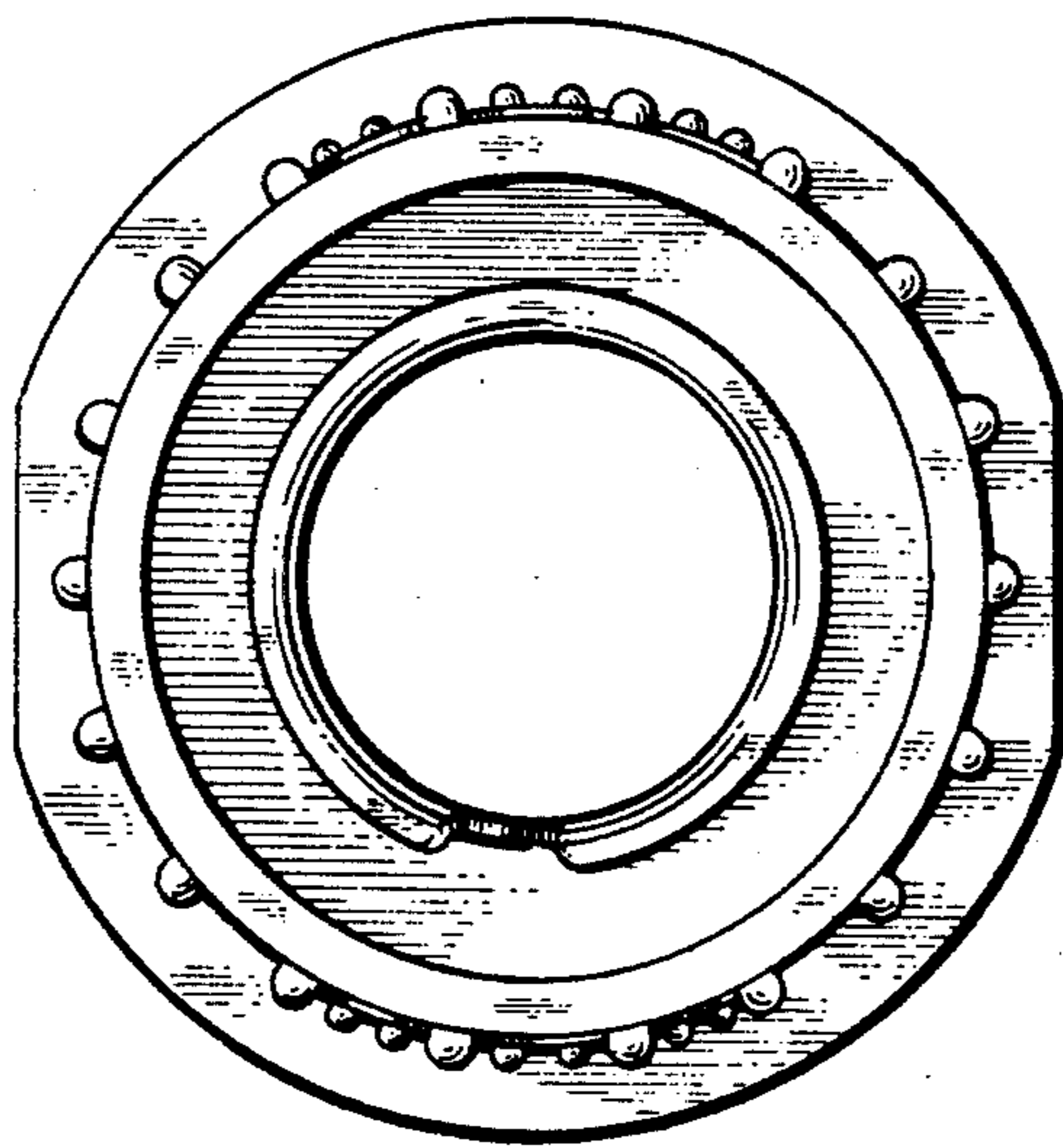


FIG. 4

