

[54] DUMP TRUCK BODY

[75] Inventor: Bernard E. Proeschl, Decatur, Ill.

[73] Assignee: Caterpillar Inc., Peoria, Ill.

[\*\*] Term: 14 Years

[21] Appl. No.: 678,944

[22] Filed: Dec. 6, 1984

[52] U.S. Cl. .... D12/15

[58] Field of Search ..... D12/15; 296/184;  
298/22 R, 19 R, 17 R

[56] References Cited

U.S. PATENT DOCUMENTS

D. 235,528 6/1975 Ahola et al. .... D12/15

OTHER PUBLICATIONS

Design, 3/75, p. 315, Dump Truck Body, bottom left side of page.

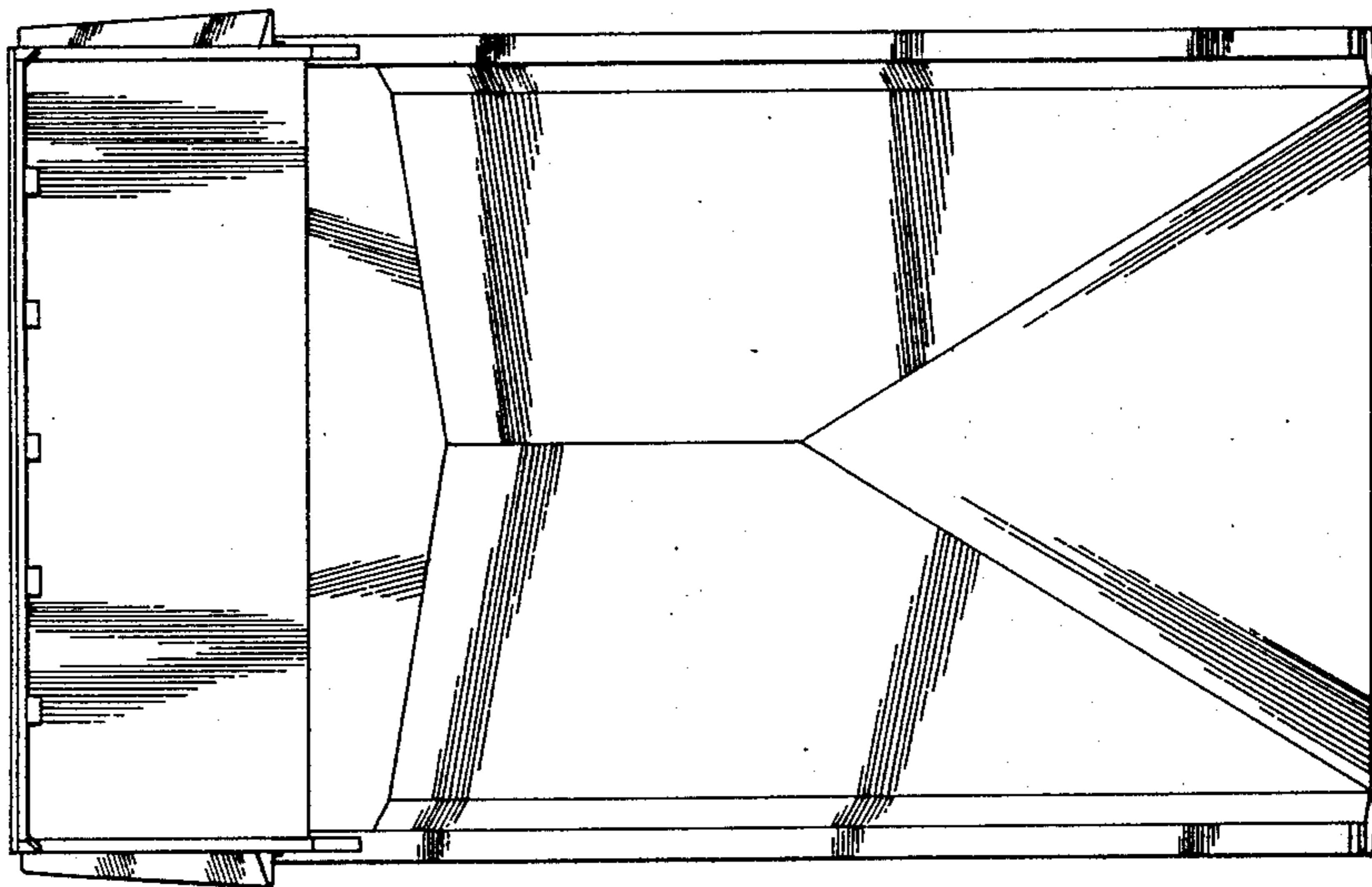
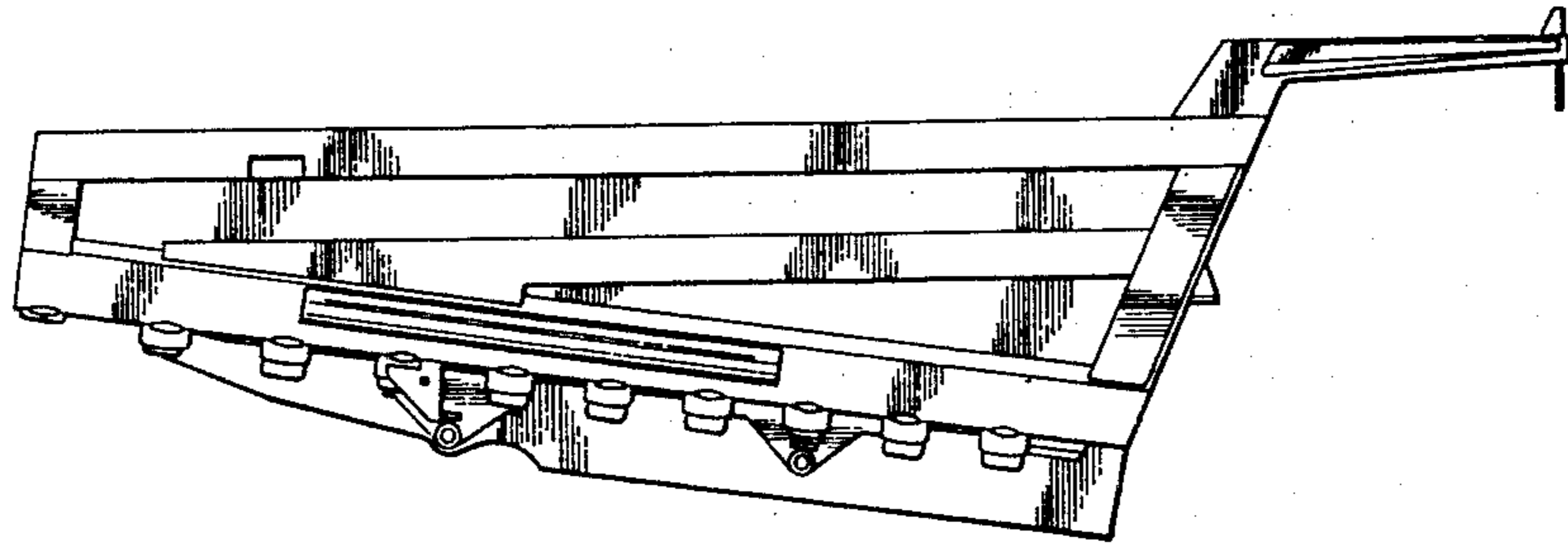
Primary Examiner—James M. Gandy  
Attorney, Agent, or Firm—Calvin E. Glastetter

[57] CLAIM

The ornamental design for a dump truck body, as shown and described.

DESCRIPTION

FIG. 1 is a left side elevational view of a dump truck body showing the new design;  
FIG. 2 is a right side elevational view thereof;  
FIG. 3 is a front elevational view thereof;  
FIG. 4 is a rear elevational view thereof; and  
FIG. 5 is a top plan view thereof.  
The broken lines showing a truck in FIG. 1 are for illustrative purposes only.



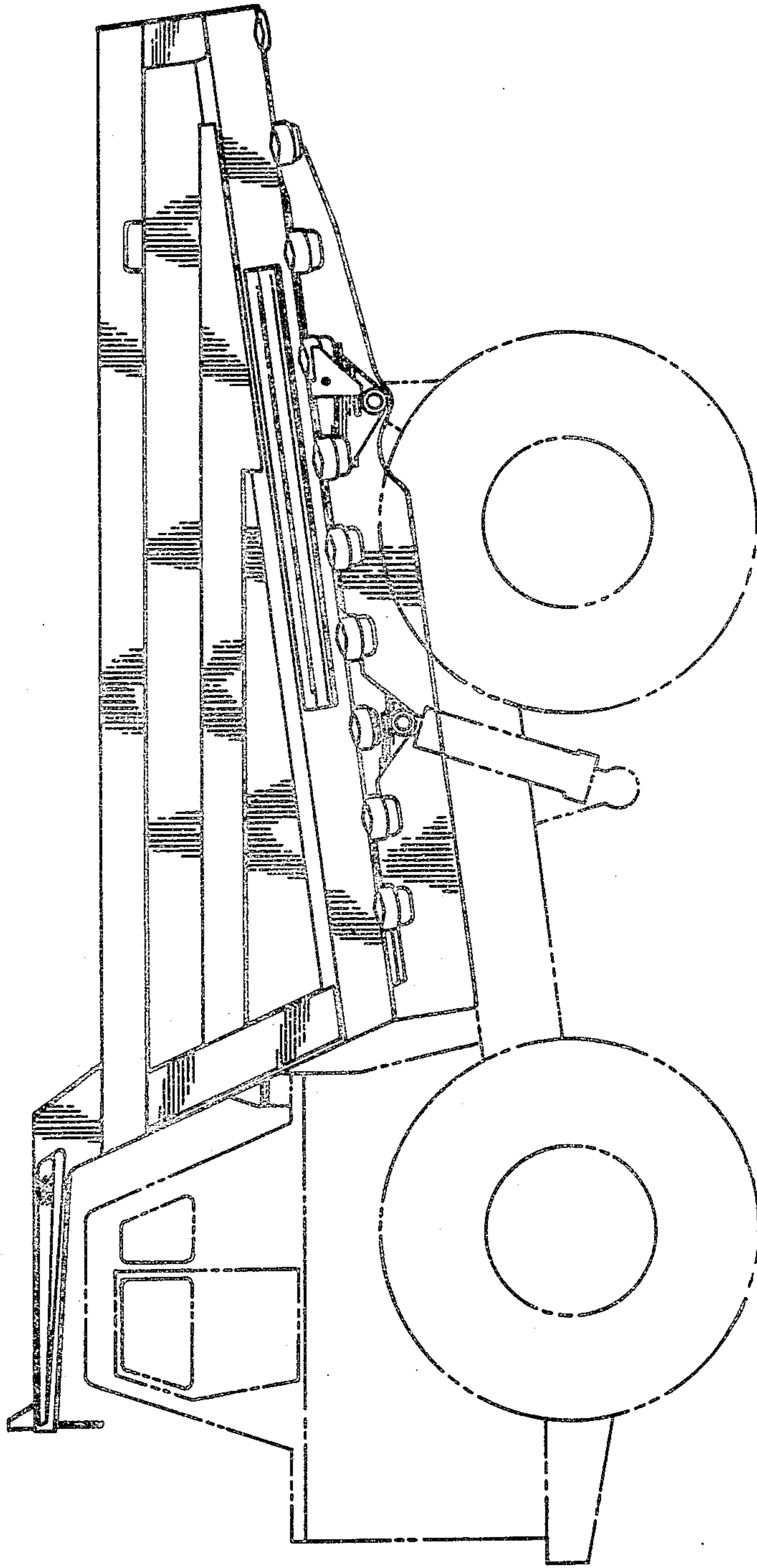


FIG. 1

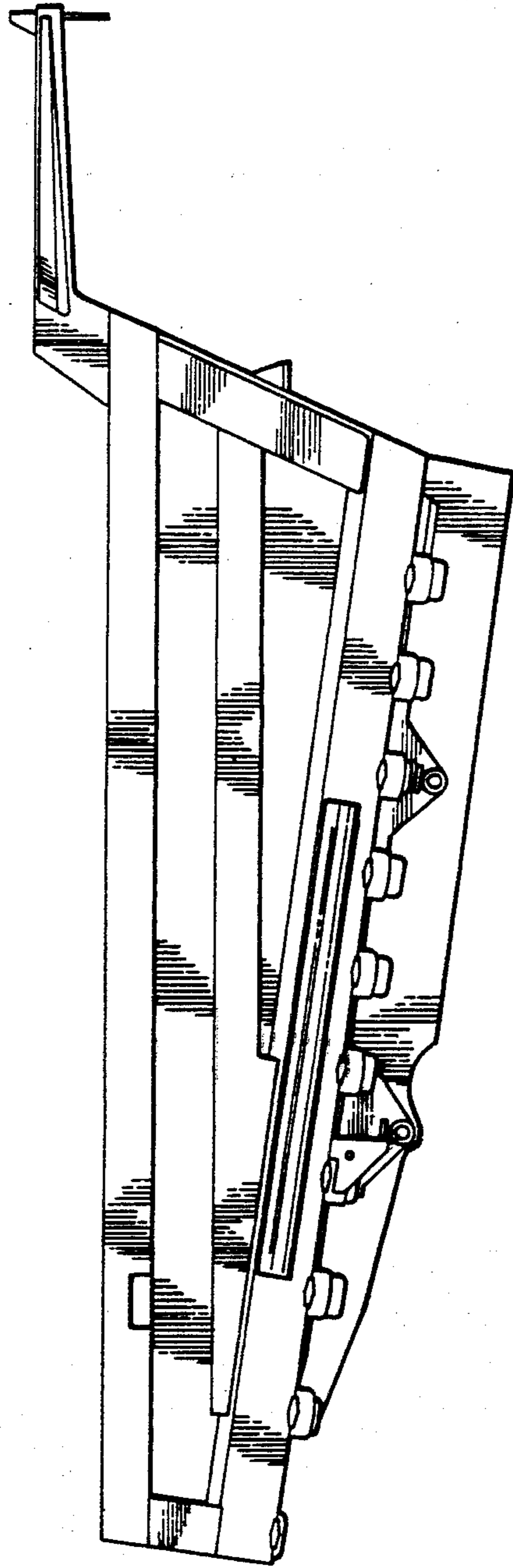


FIG. 2

FIG 3

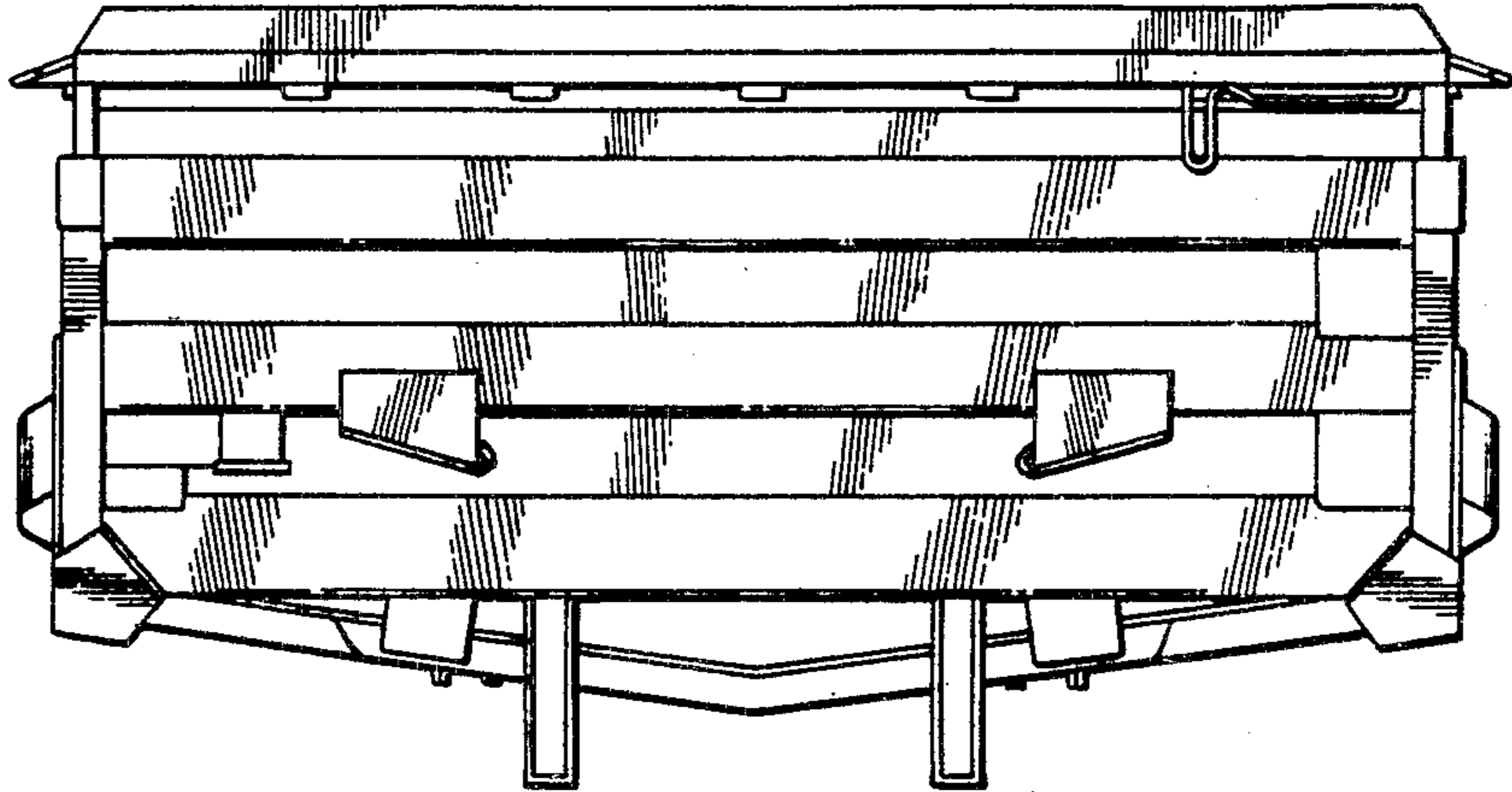


FIG 4

