

[54] NOVELTY INTEGRATED CIRCUIT CHIP FIGURE

[75] Inventors: William A. Sethares, Burlington; Marilyn S. Nieuweboer, Chelmsford, both of Mass.

[73] Assignee: NDE Associates, Inc., Burlington, Mass.

[\*\*] Term: 14 Years

[21] Appl. No.: 663,357

[22] Filed: Oct. 22, 1984

[52] U.S. Cl. .... D11/158; D21/155; D21/185

[58] Field of Search ..... D11/48, 131-136, D11/158, 57; D21/155, 148, 157, 168, 185; D19/96, 97; 428/13-16

[56] References Cited

U.S. PATENT DOCUMENTS

D. 260,157 8/1981 Appel et al. .... D21/168

OTHER PUBLICATIONS

Merchandising, 6/1983, p. 54-Circuit Chip at top.

Primary Examiner—Louis S. Zarfaz

Attorney, Agent, or Firm—Hamilton, Brook, Smith & Reynolds

[57] CLAIM

The ornamental design for a novelty integrated circuit chip figure, as shown and described.

DESCRIPTION

FIG. 1 is a perspective view of a novelty integrated circuit chip figure showing my new design, the indicia on the top indicating a thermally responsive liquid crystal;

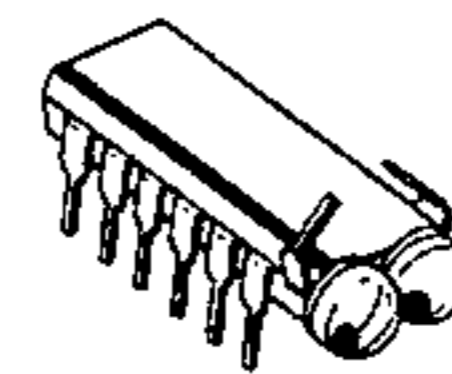
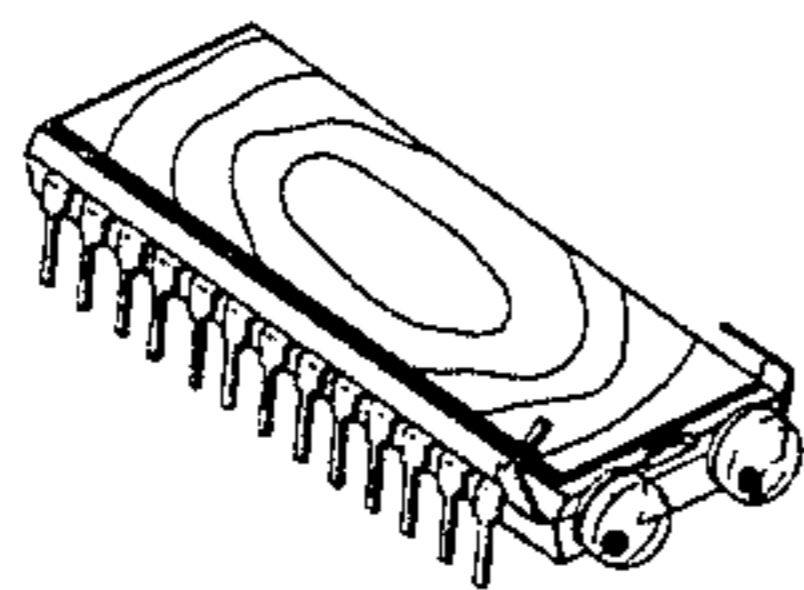
FIG. 2 is a top plan view thereof;

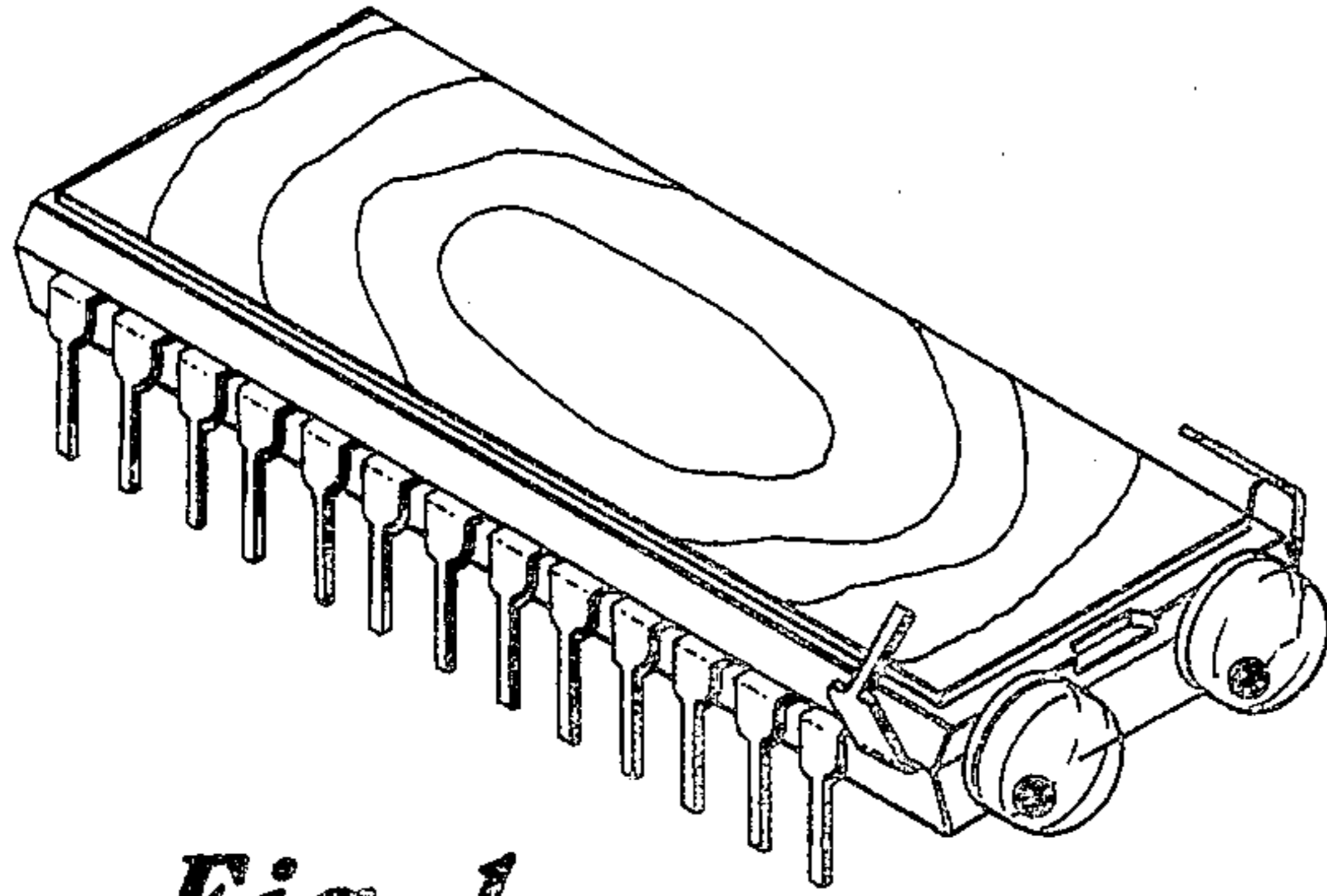
FIG. 3 is a bottom plan view thereof;

FIG. 4 is a left side elevational view thereof;

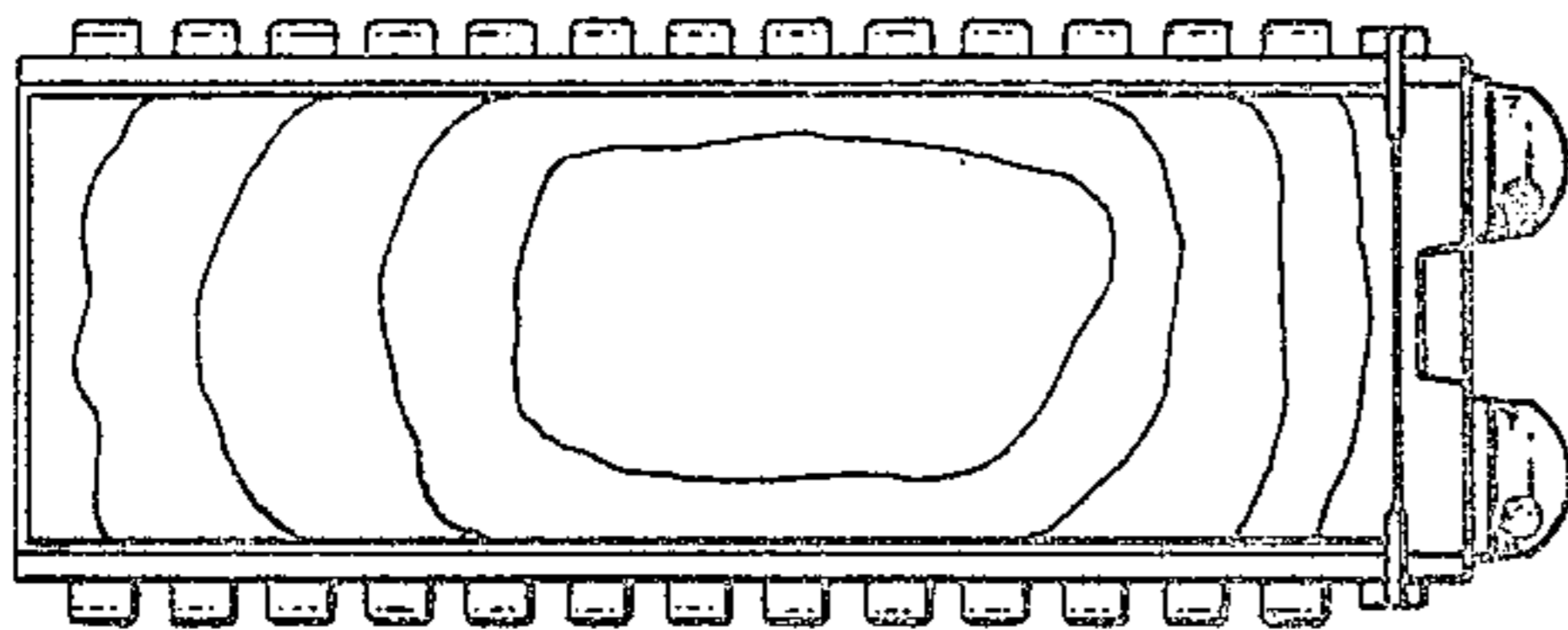
FIG. 5 is a front elevational view thereof;

FIG. 6 is a perspective view of a novelty integrated circuit chip figure showing a modified form of my new design, wherein the circuit chip is smaller and the liquid crystal is omitted.

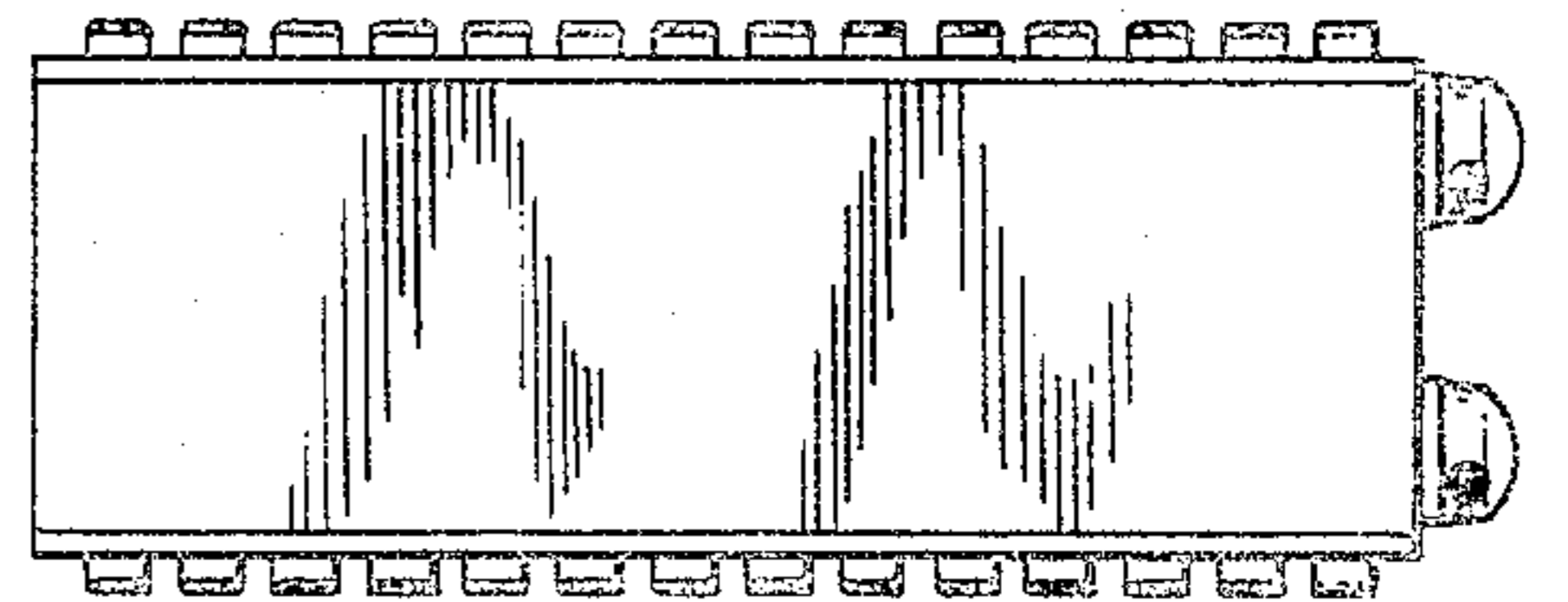




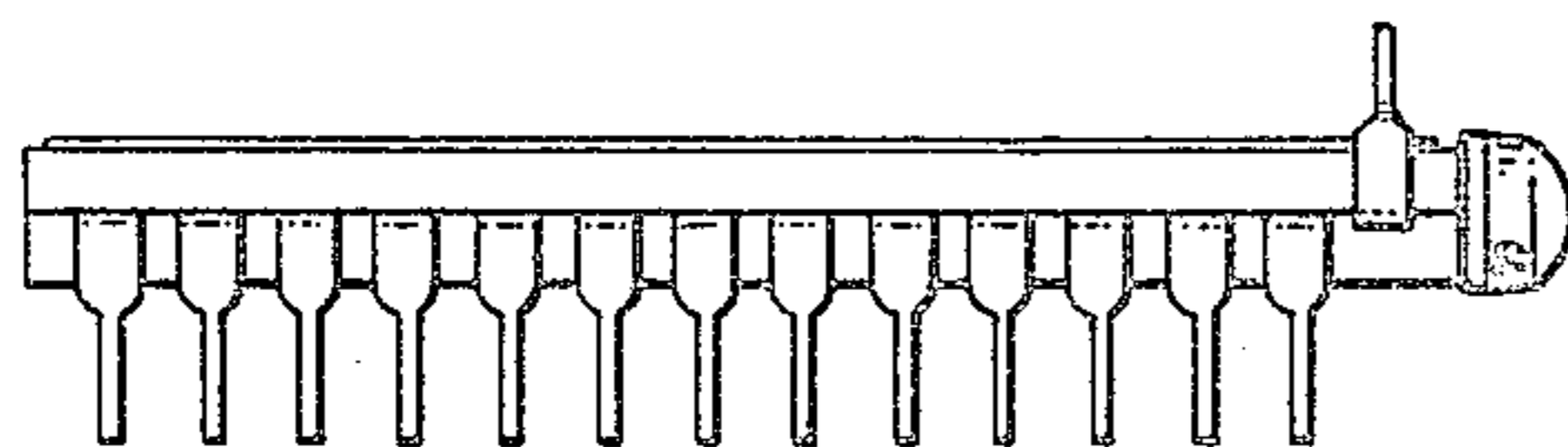
*Fig. 1*



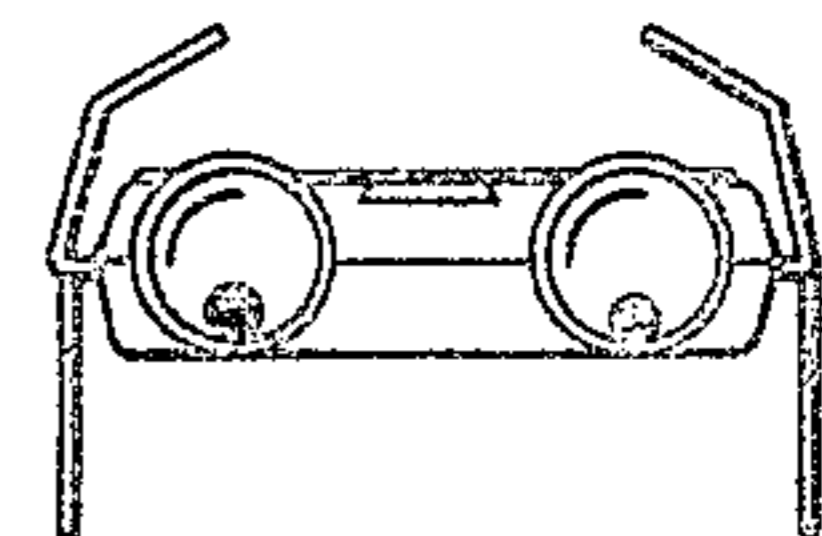
*Fig. 2*



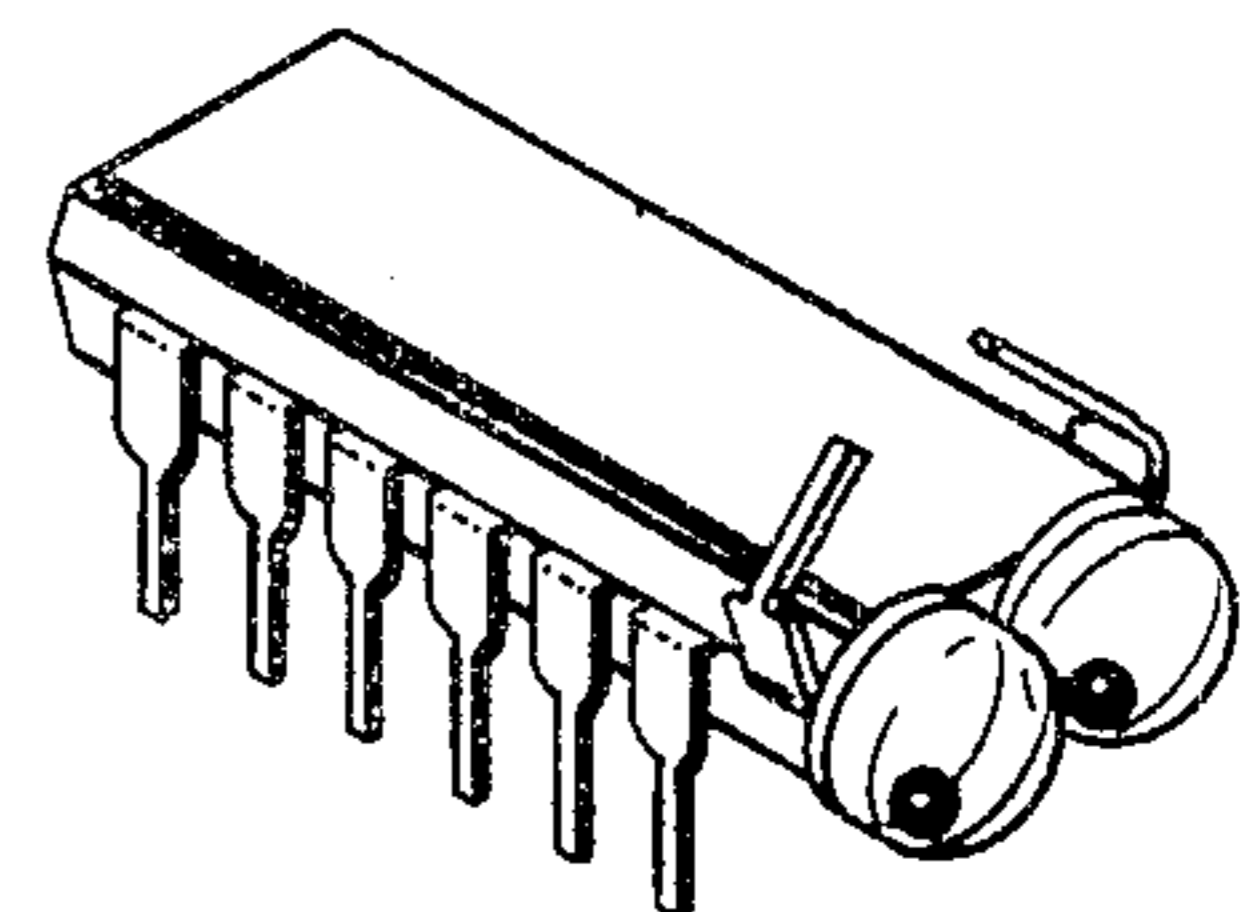
*Fig. 3*



*Fig. 4*



*Fig. 5*



*Fig. 6*