

[54] MILK WEIGHING CONTAINER

[75] Inventors: Rolf W. Reisgies; Larry G. Larson, both of Waunakee, Wis.

[73] Assignee: Germania Dairy Automation, Inc., Waunakee, Wis.

[\*\*] Term: 14 Years

[21] Appl. No.: 656,965

[22] Filed: Oct. 2, 1984

[52] U.S. Cl. .... D10/94; D7/77; D9/371; D23/2; D30/99

[58] Field of Search ..... D10/87-94; 73/61 R; 119/14.05, 14.06, 14.17; 177/262, 148; D9/371; D23/2; D30/99

[56] References Cited

U.S. PATENT DOCUMENTS

D. 29,171	8/1898	Packham	.....	D9/371
D. 40,188	7/1909	Crane	.....	D23/2
D. 158,050	4/1950	Clarke	.....	D7/77
1,121,069	12/1914	Cockburn	.....	119/14.06
1,223,334	4/1917	Wielert	.....	119/14.17
1,535,541	4/1925	Noble	.....	119/14.17 X
2,631,566	3/1953	Roop	.....	119/14.17 X

2,853,050	9/1958	Golay	.....	119/14.05 X
3,289,633	12/1966	Simons	.....	119/14.17 X
3,532,074	10/1970	Svensson	.....	119/14.05
3,599,607	8/1971	Wallick	.....	119/14.17

FOREIGN PATENT DOCUMENTS

95906	5/1963	Denmark	.....	119/14.17
2837325	3/1980	Fed. Rep. of Germany	.....	177/262
0022136	2/1980	Japan	.....	177/262
197806	7/1977	Netherlands	.....	119/14.05

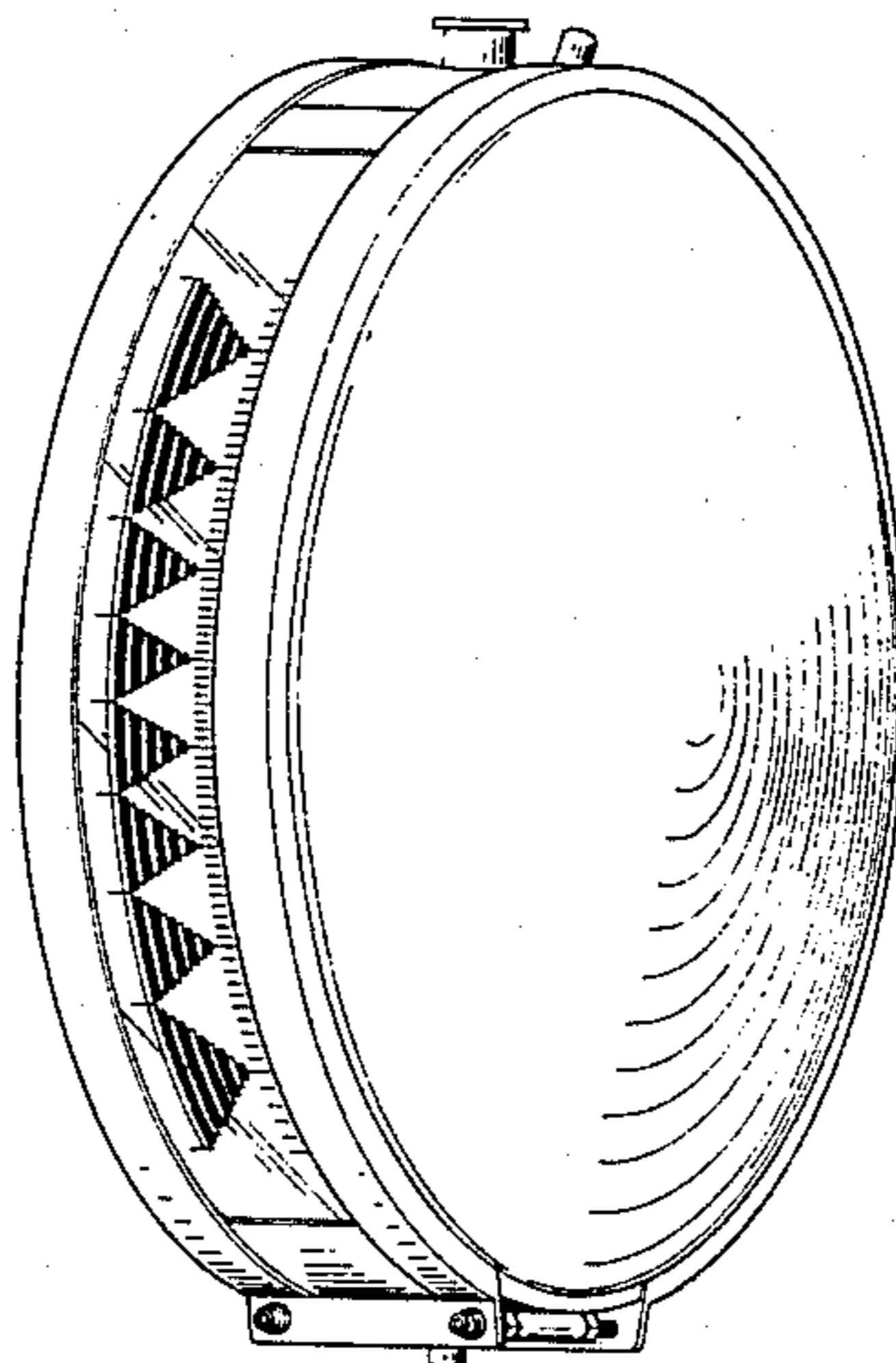
Primary Examiner—Nelson C. Holtje  
Attorney, Agent, or Firm—Isaksen, Lathrop, Esch, Hart & Clark

[57] CLAIM

The ornamental design for a milk weighing container, as shown and described.

DESCRIPTION

FIG. 1 is a right rear perspective view of a milk weighing container showing our new design;  
FIG. 2 is a front elevational view thereof;  
FIG. 3 is a rear elevational view thereof;  
FIG. 4 is a left side elevational view thereof;  
FIG. 5 is a right side elevational view thereof;  
FIG. 6 is a top plan view thereof;  
FIG. 7 is a bottom plan view thereof.



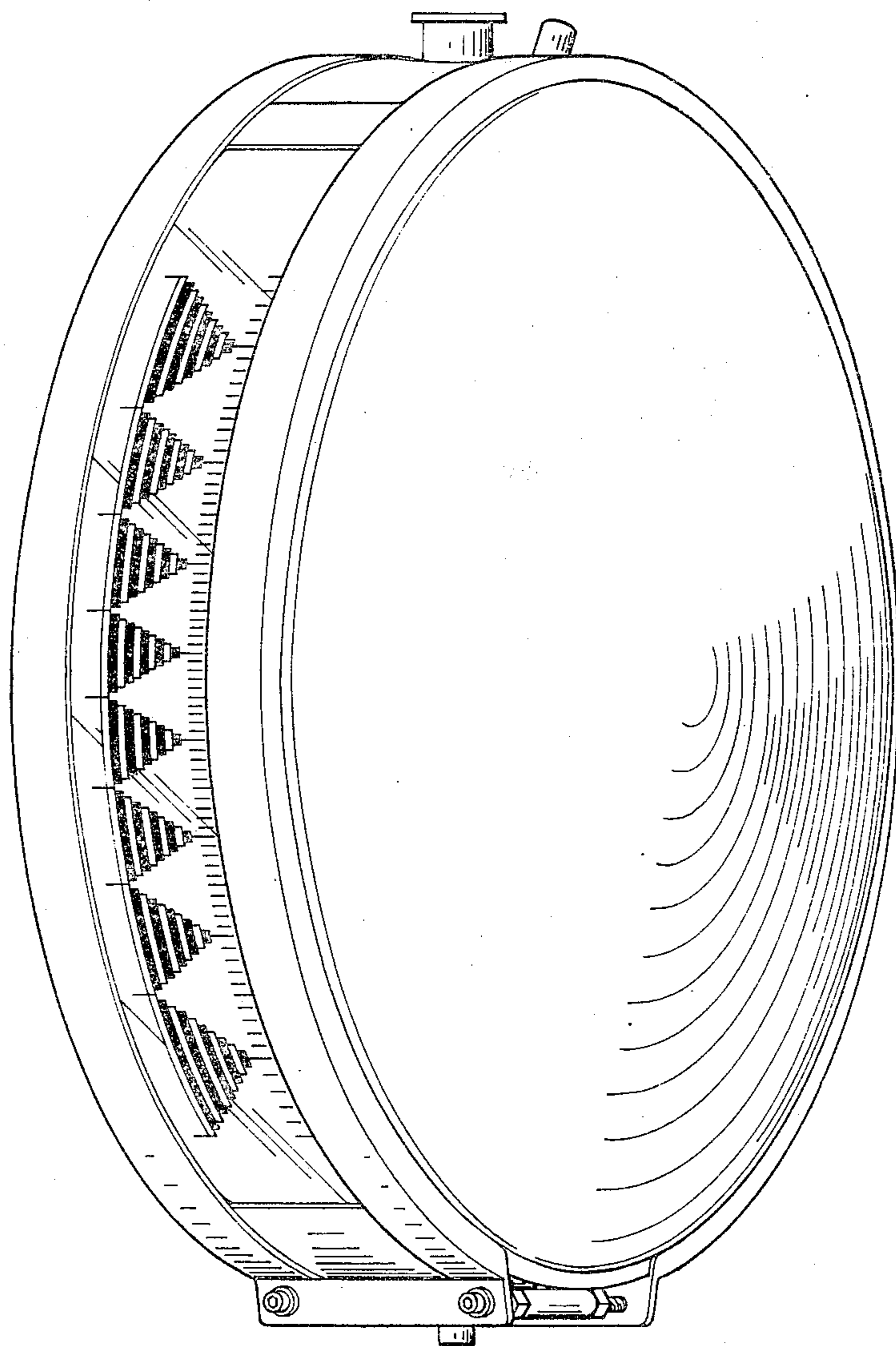


FIG. 1

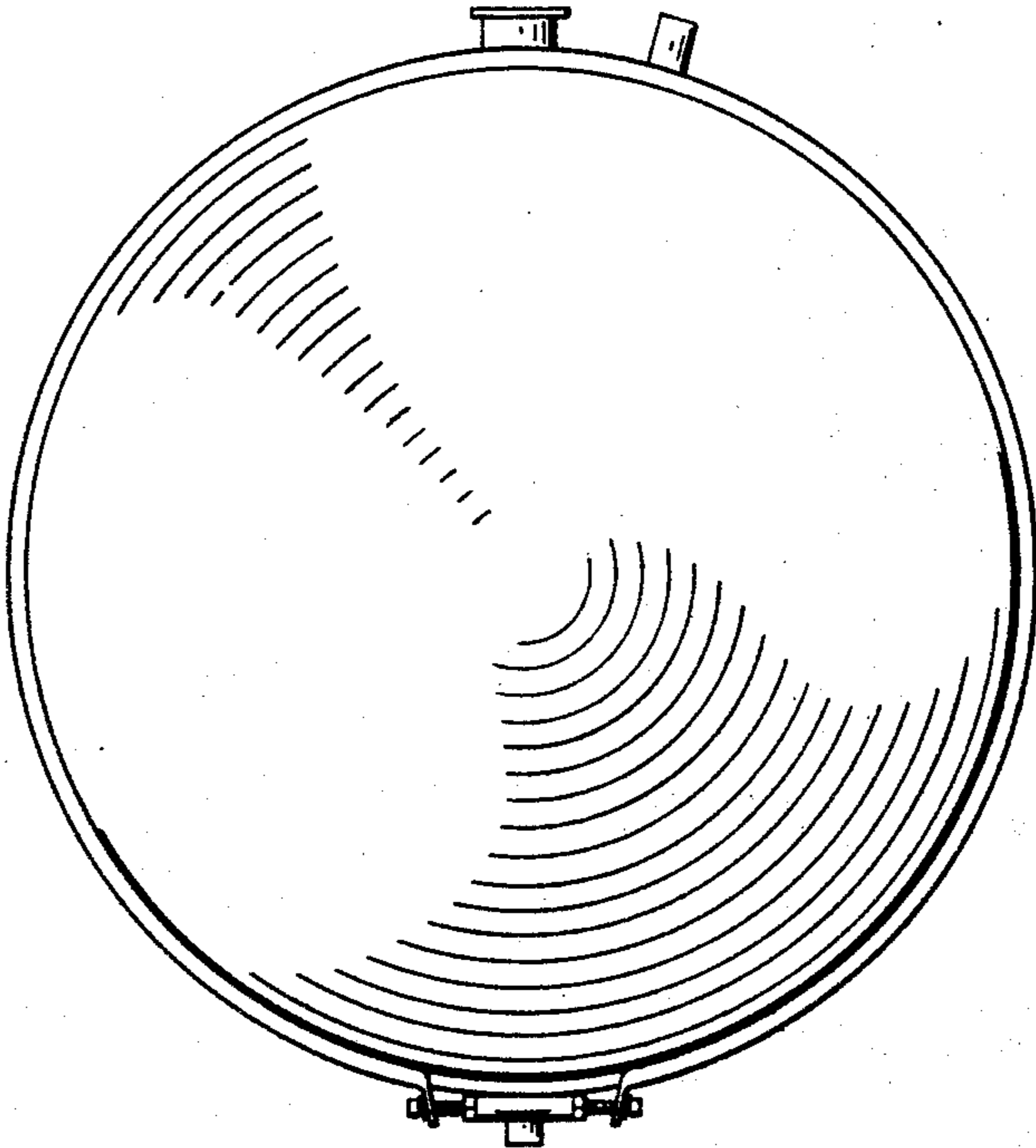


FIG. 2

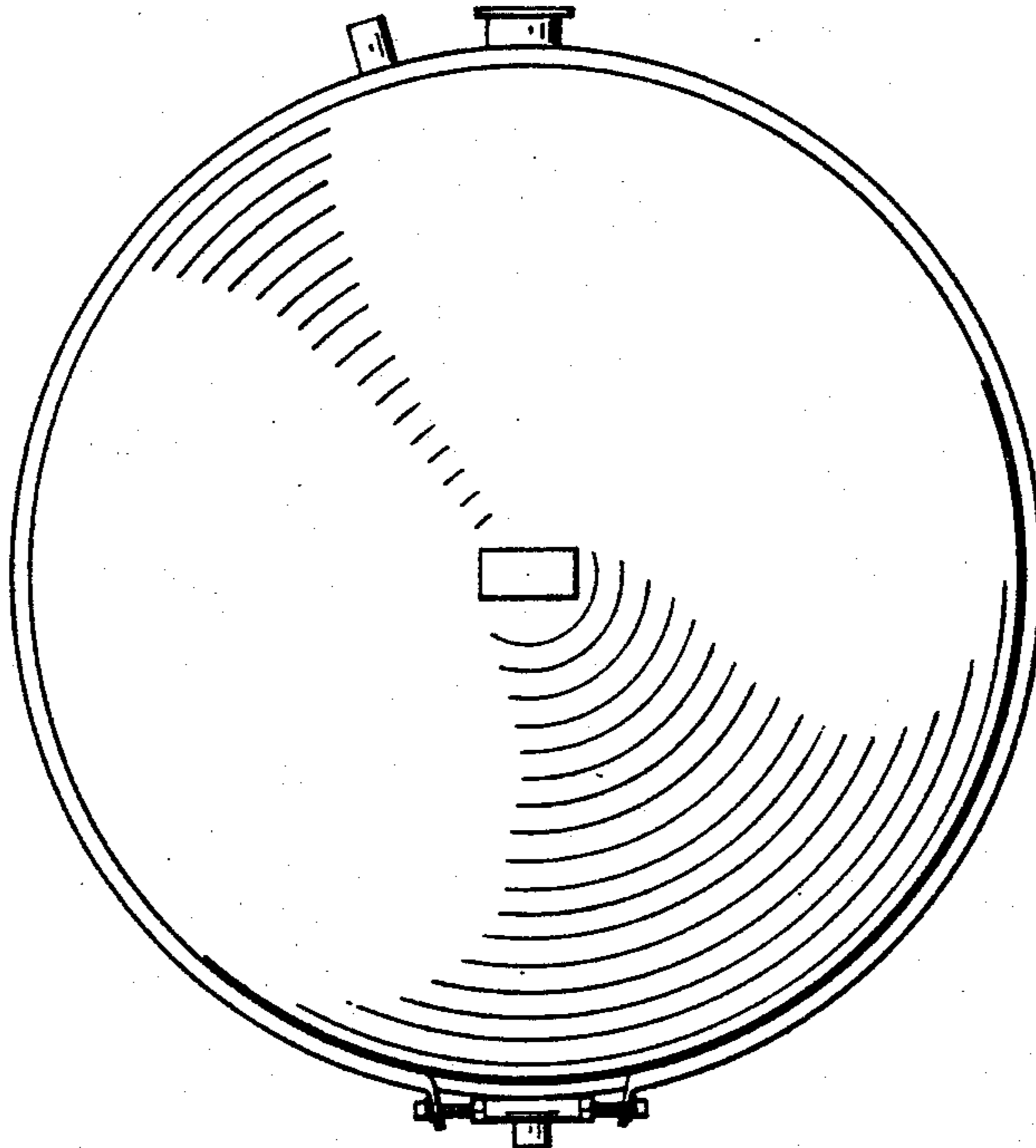


FIG. 3

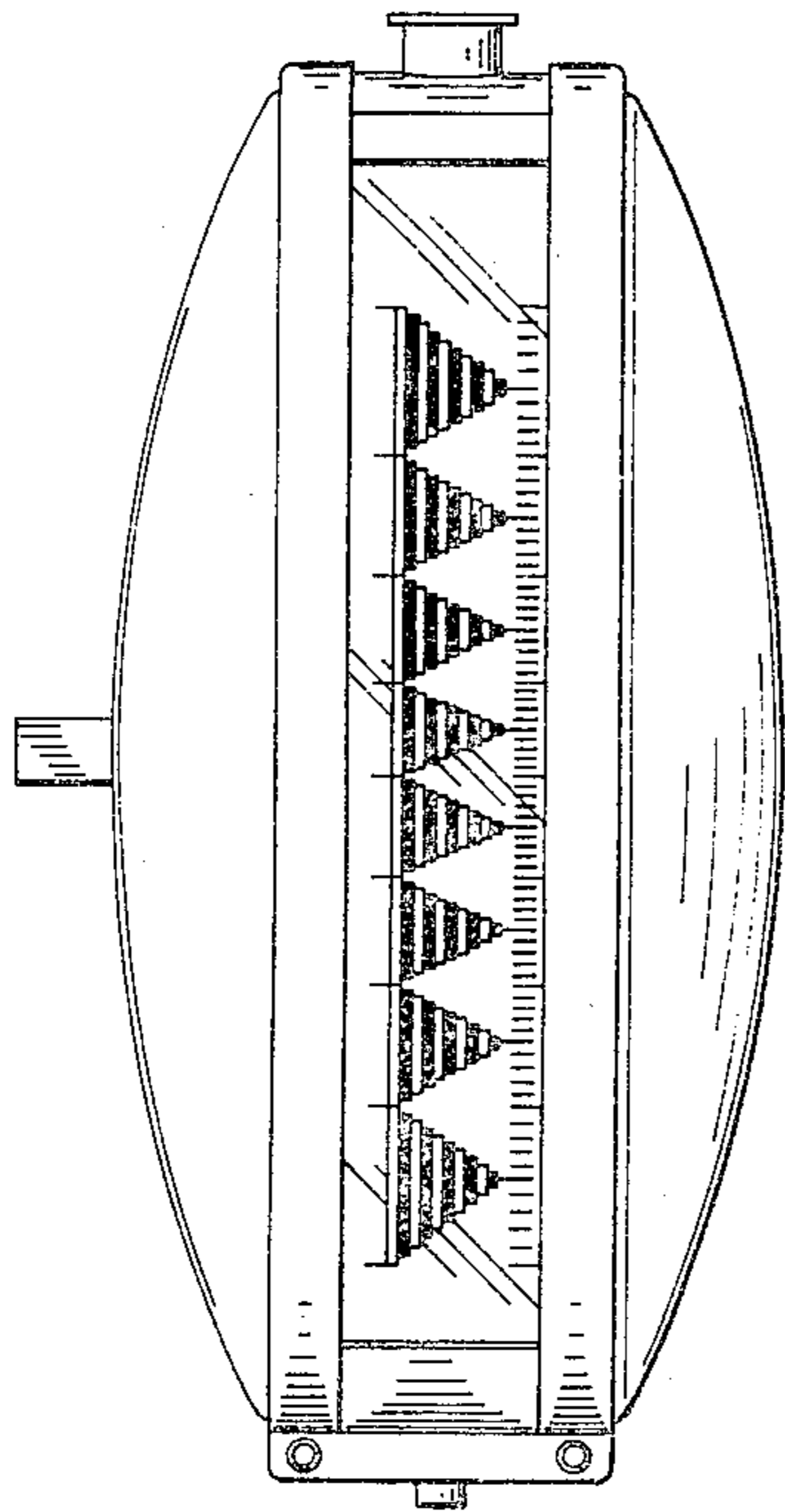


FIG. 4

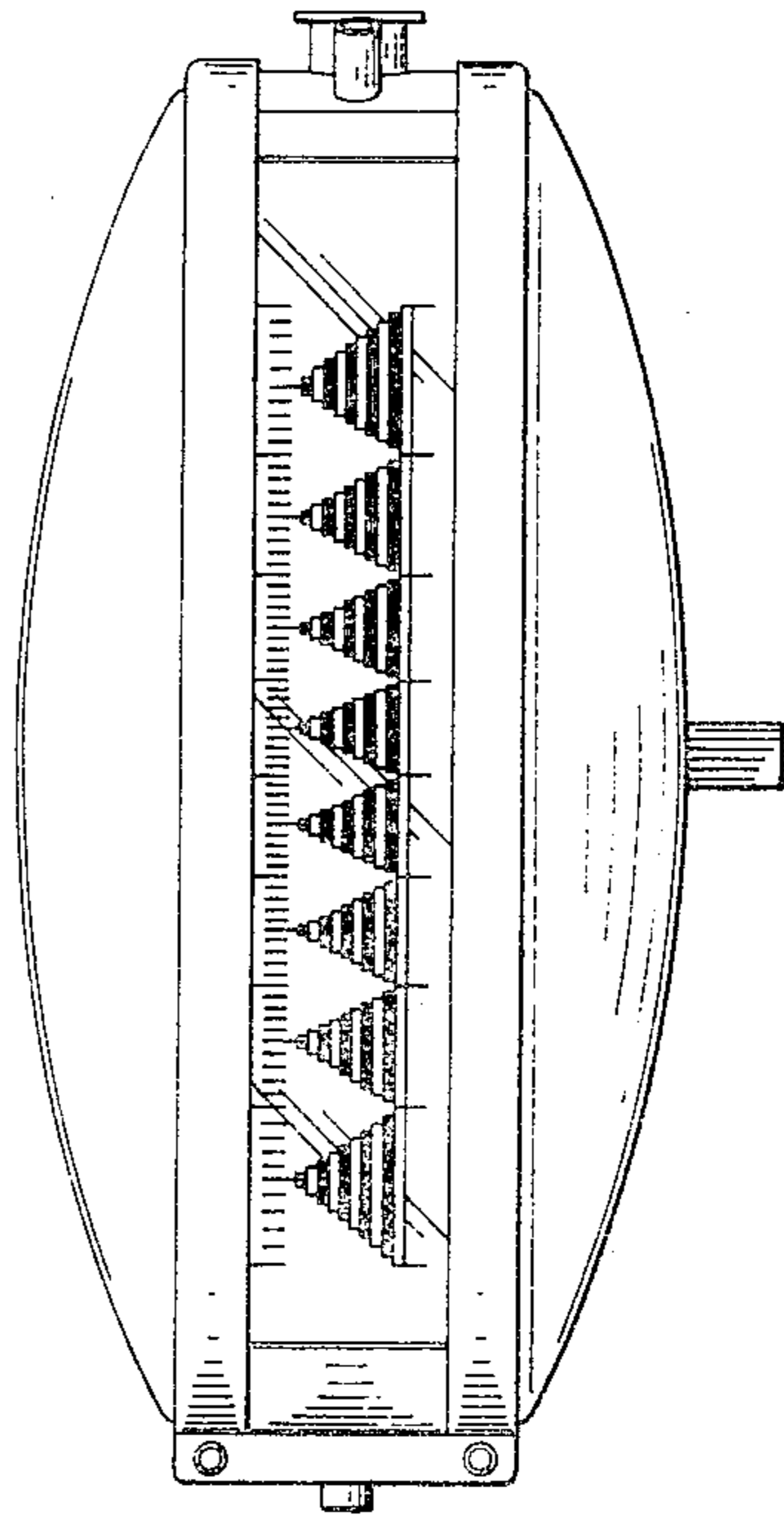


FIG. 5

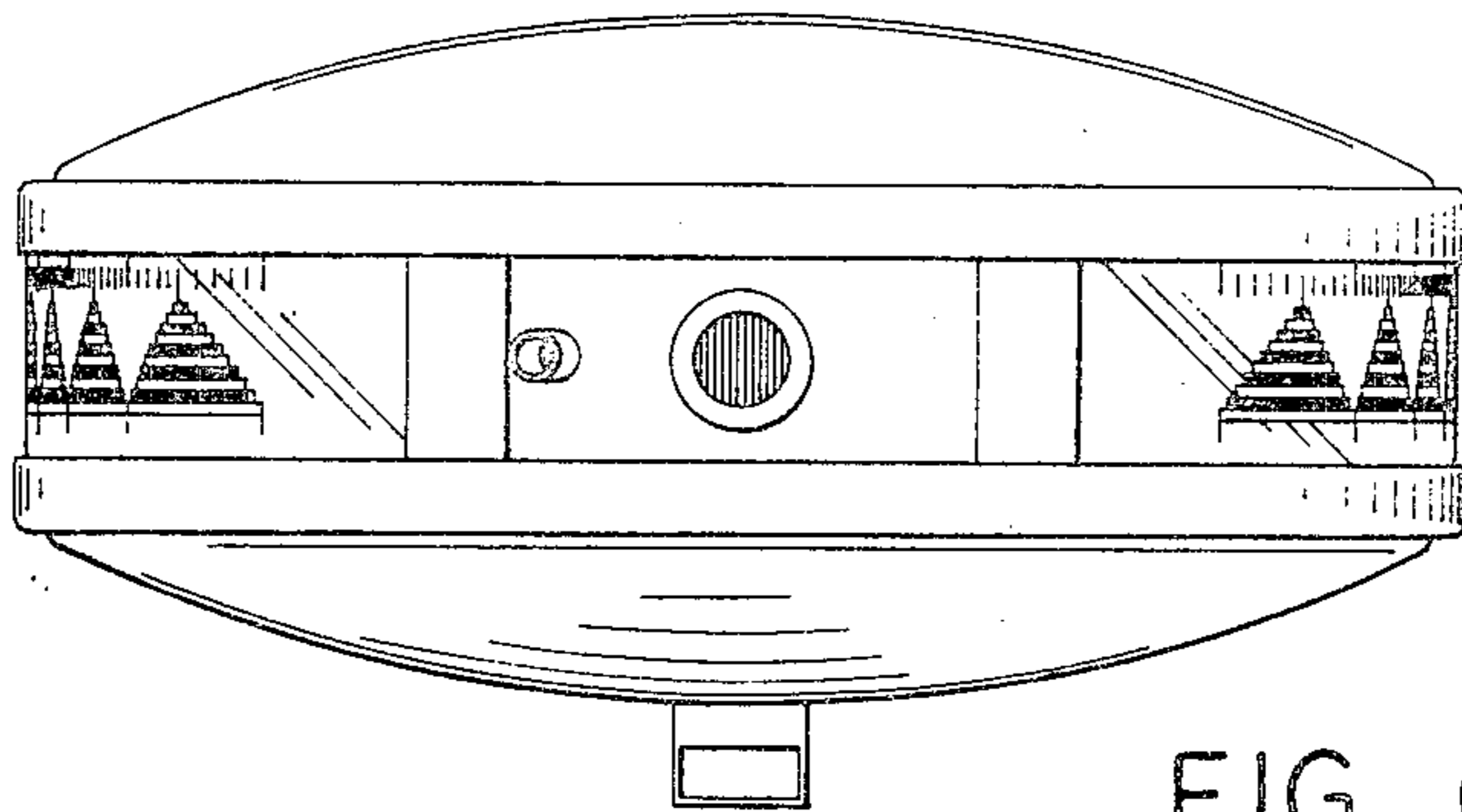


FIG. 6

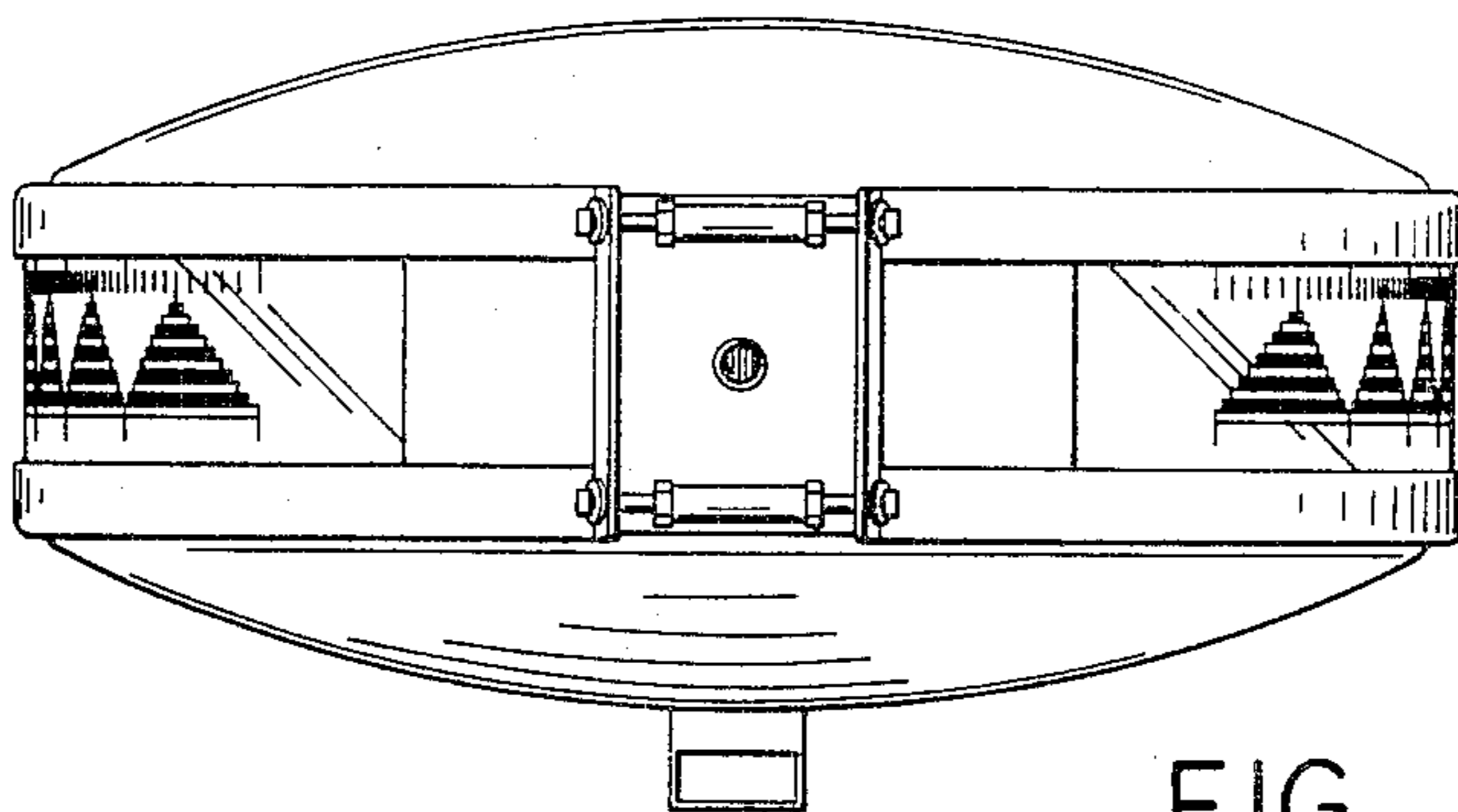


FIG. 7