

[54] WEIGH SCALE

[75] Inventor: John H. Bungener, Glenview, Ill.

[73] Assignee: Pelouze Scale Co., Evanston, Ill.

[**] Term: 14 Years

[21] Appl. No.: 620,385

[22] Filed: Jun. 13, 1984

[52] U.S. Cl. D10/91

[58] Field of Search D10/87-94;
177/177, 25, DIG. 3, 239, 246; 364/466

[56] References Cited

U.S. PATENT DOCUMENTS

| | | | | |
|------------|--------|--------|-------|------------|
| D. 258,122 | 2/1981 | Sinn | | D10/91 |
| D. 260,376 | 8/1981 | Lawing | | D10/91 |
| D. 260,973 | 9/1981 | Lawing | | D10/91 |
| D. 274,795 | 7/1984 | Wirth | | D10/91 |
| 4,542,799 | 9/1985 | Komoto | | 177/DIG. 3 |

OTHER PUBLICATIONS

Circuits & Systems, Inc.-Flyer-"CMP" Series Comput-

erized Portable Digital Bench Scales-5/1/80-Scale at center.

NCI-Brochure-8/21/80-Scales on front cover, inside cover, and inside page.

Toledo Scale Co. Flyer-"The Prospectors TM"-1/28/81-Scale on front.

Ktron-Brochure-2/84-Scales inside.

*Primary Examiner-Nelson C. Holtje
Attorney, Agent, or Firm-A. G. Douvas*

[57] CLAIM

The ornamental design for a weigh scale, as shown and described.

DESCRIPTION

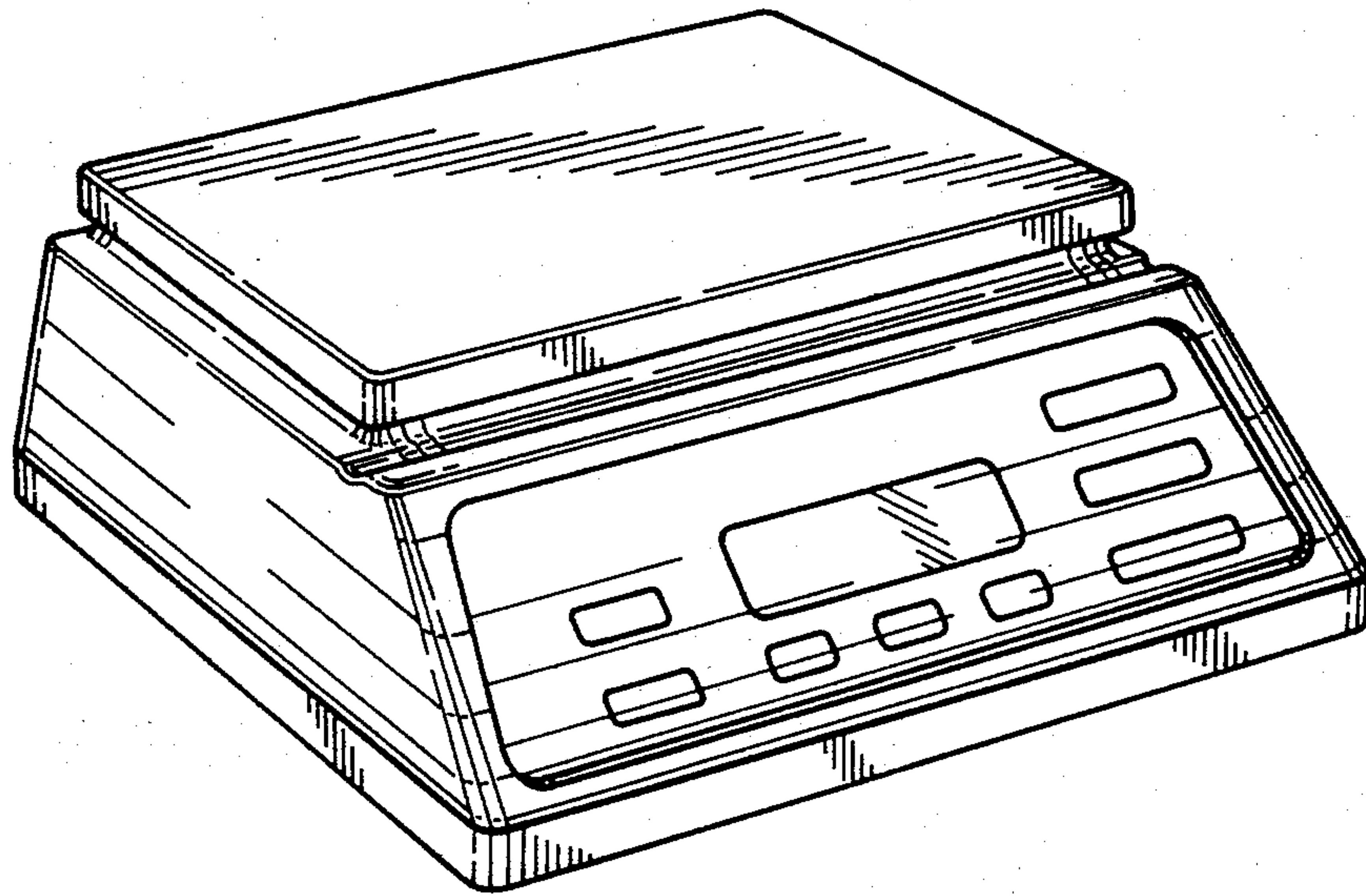
FIG. 1 is a front perspective view of a weigh scale showing my new design;

FIG. 2 is a front elevational view thereof;

FIG. 3 is a right side elevational view thereof;

FIG. 4 is a rear elevational view thereof; and

FIG. 5 is a top plan view thereof.



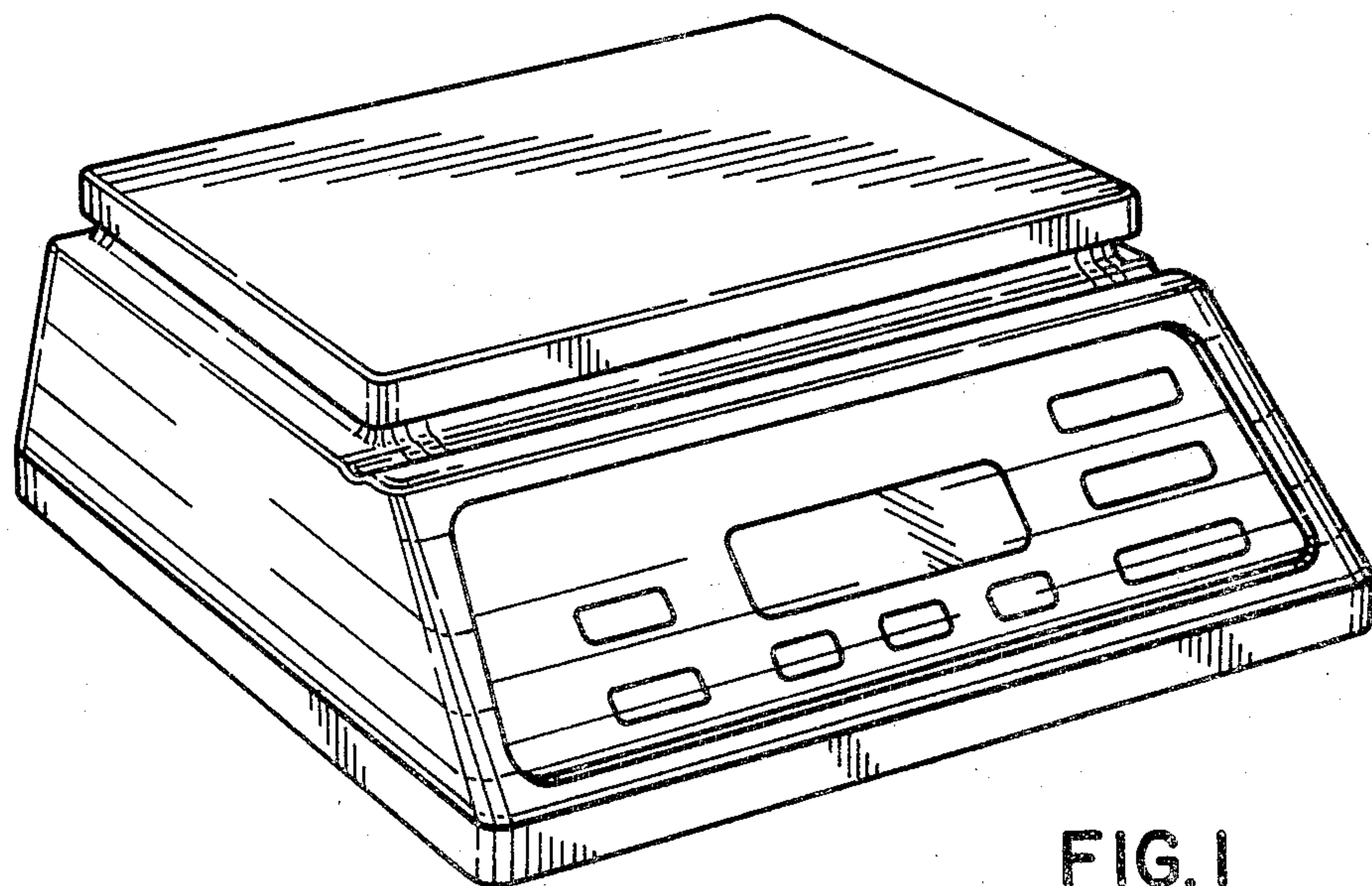


FIG. 1

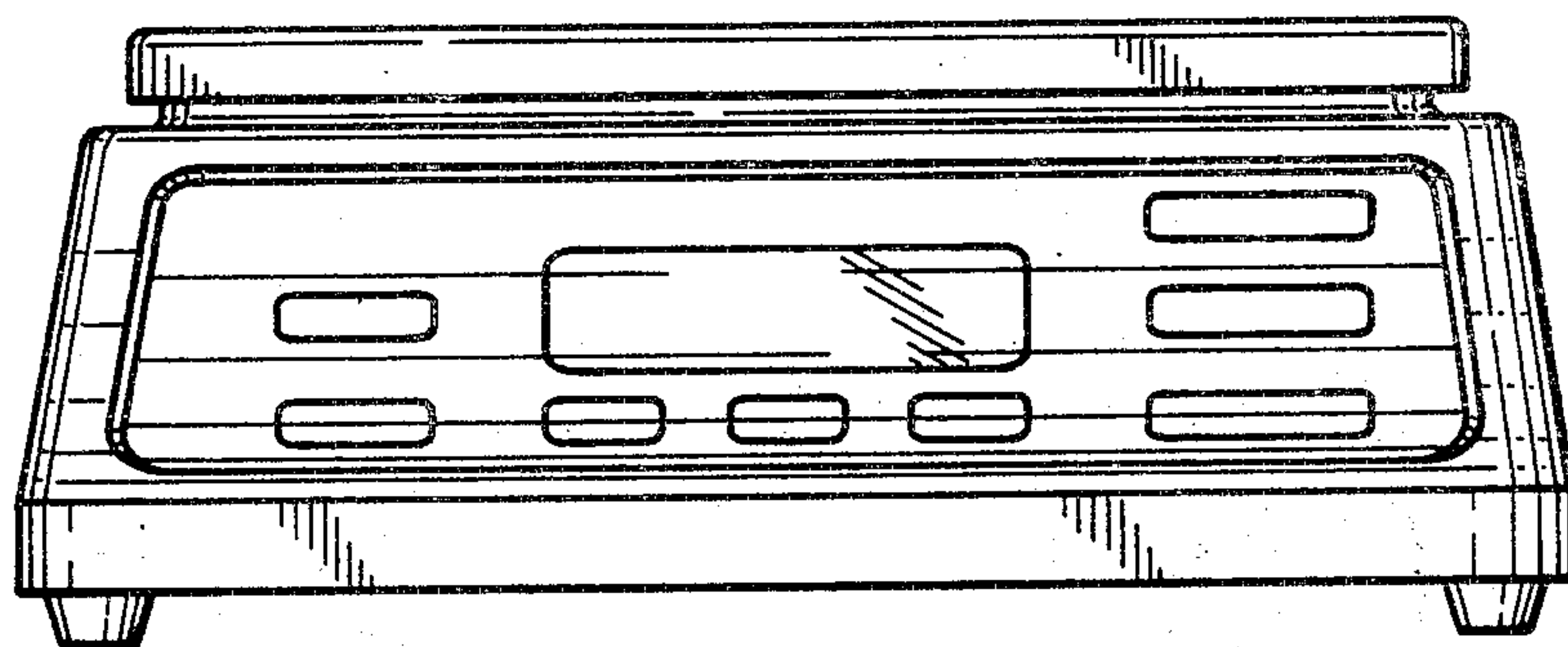


FIG. 2

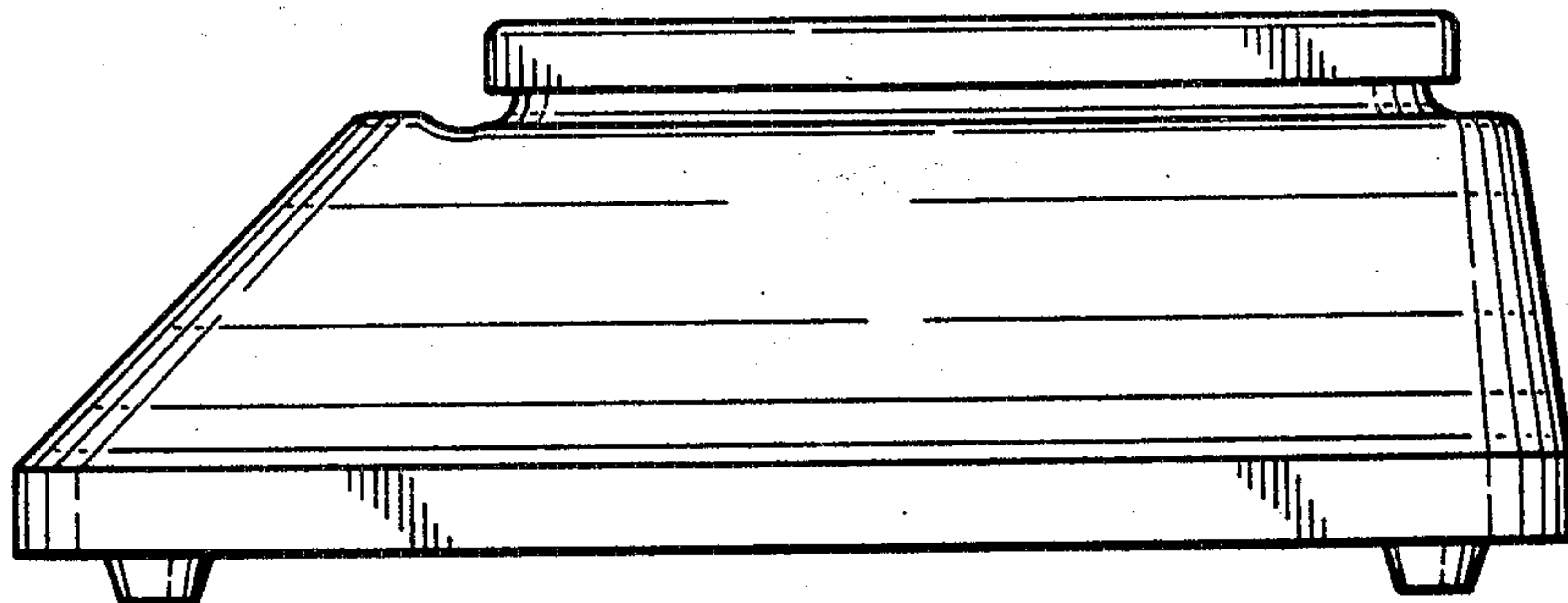


FIG. 3

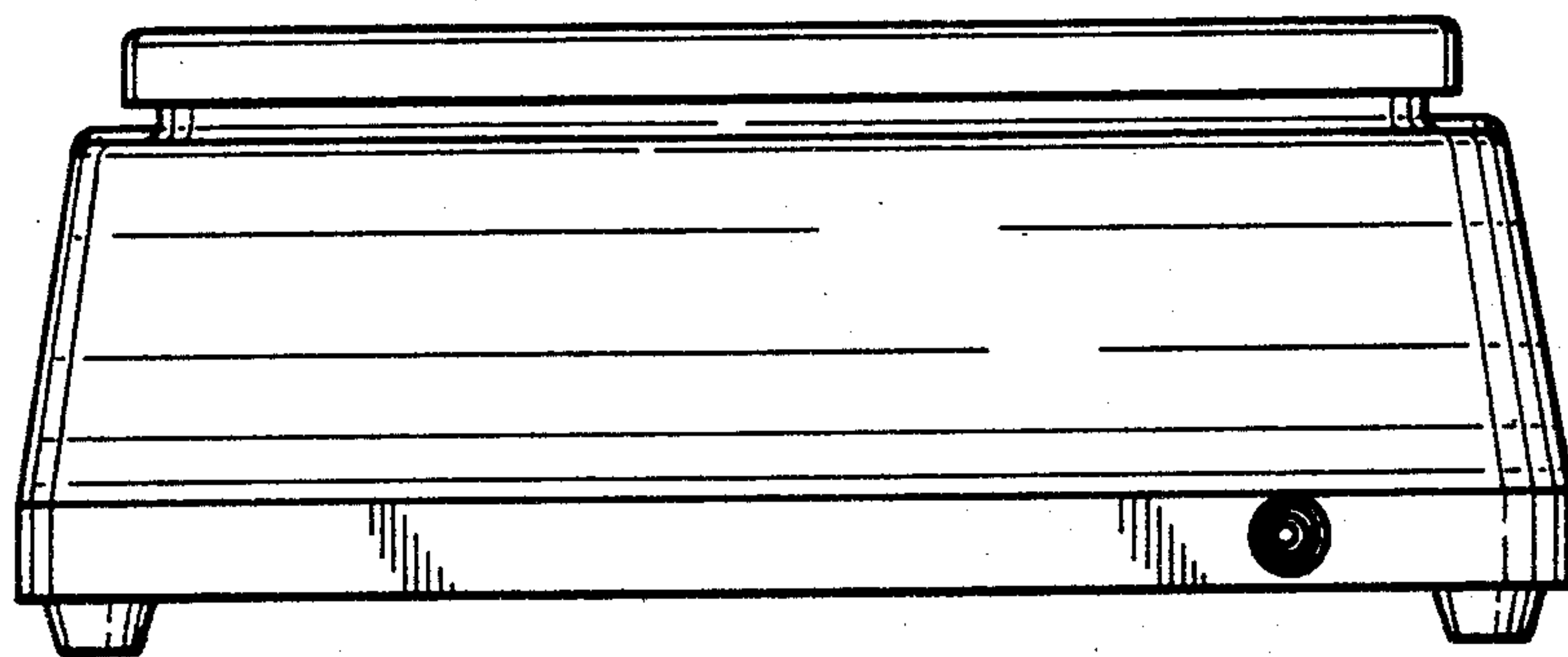


FIG. 4

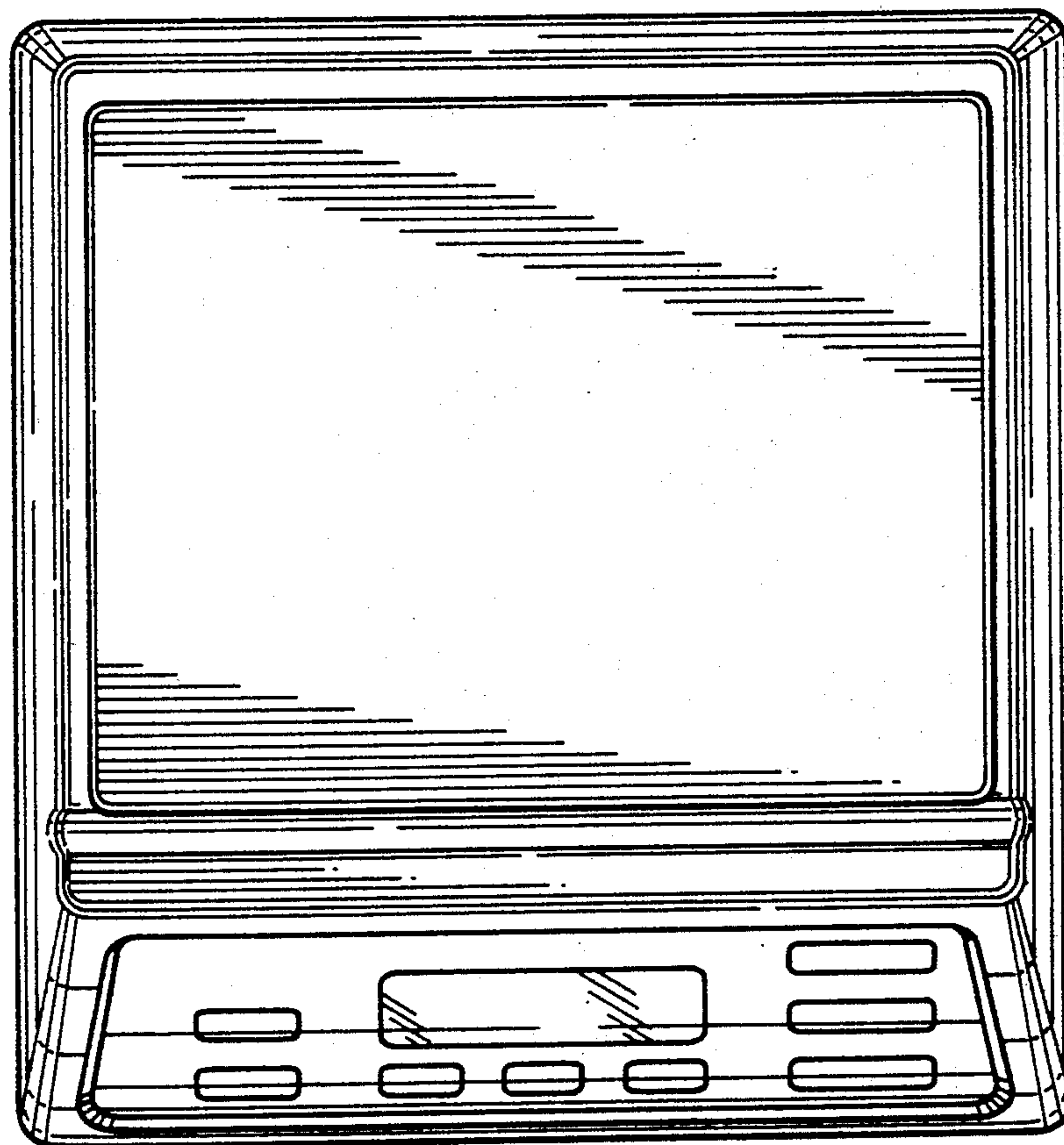


FIG. 5