

[54] TOROIDAL WRIST WATCH

4,473,304 9/1984 Ketner 368/281

[76] Inventor: Eugene N. Ketner, P.O. Box 1123,
Graham, Tex. 76046

Primary Examiner—Nelson C. Holtje
Attorney, Agent, or Firm—Marcus L. Bates

[**] Term: 14 Years

[57] CLAIM

[21] Appl. No.: 635,639

The ornamental design for a toroidal wrist watch, substantially as shown and described.

[22] Filed: Jul. 30, 1984

[52] U.S. Cl. D10/38; D10/30

[58] Field of Search D10/30-39;
368/281-282, 276, 285, 228, 232, 239-242,
82-84

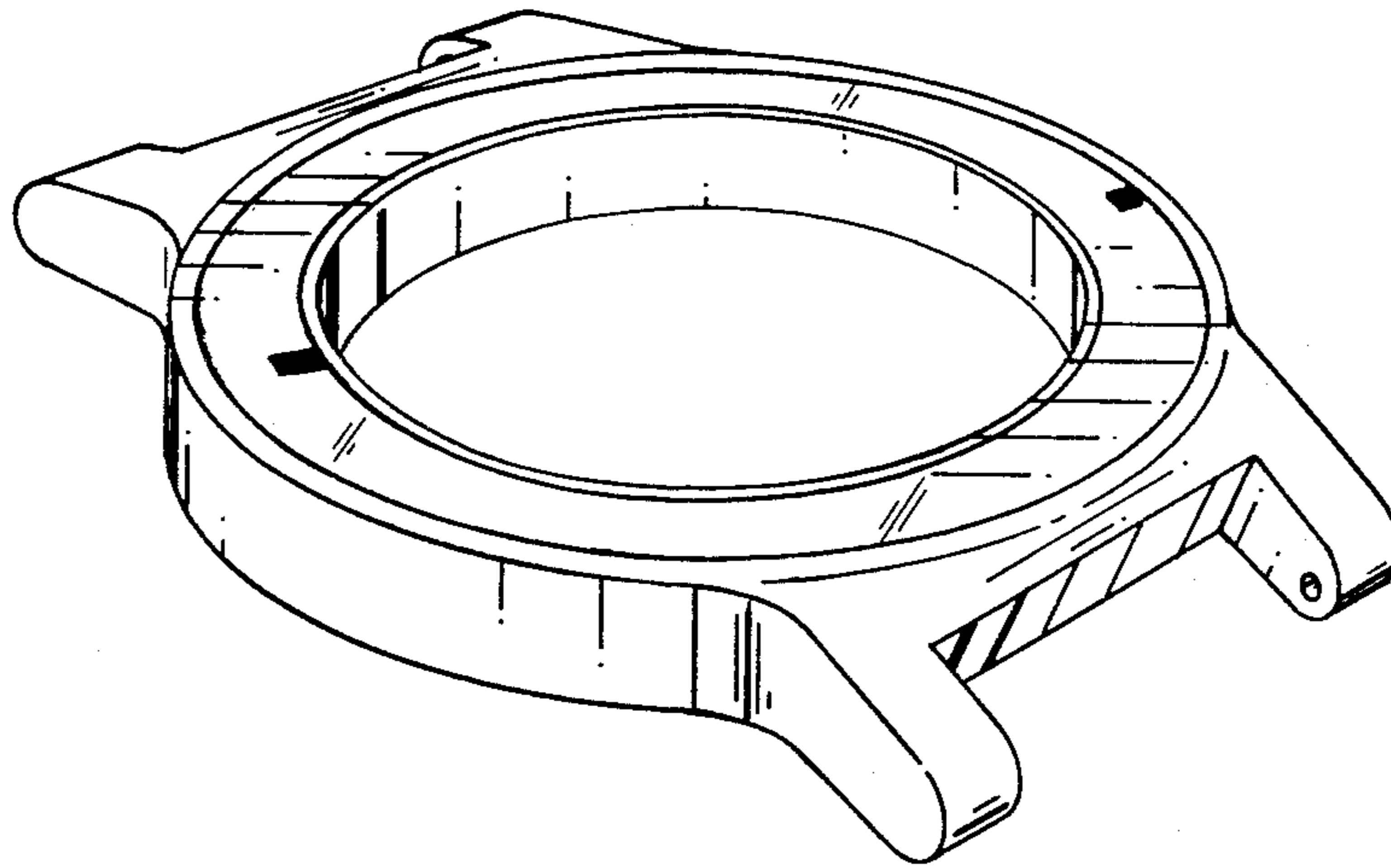
DESCRIPTION

[56] References Cited

U.S. PATENT DOCUMENTS

2,463,315 3/1949 Rosen D10/38 X
2,763,122 9/1956 Hayes D10/39 X

FIG. 1 is a top and left front perspective view of a toroidal wrist watch showing my new design; FIG. 2 is a top plan view thereof on an enlarged scale; FIG. 3 is a front, elevational view of FIG. 2, the rear being a mirror image thereto; FIG. 4 is a bottom plan view of FIG. 2; and, FIG. 5 is a left, side elevational view of FIG. 2, the right side being a mirror image thereto.



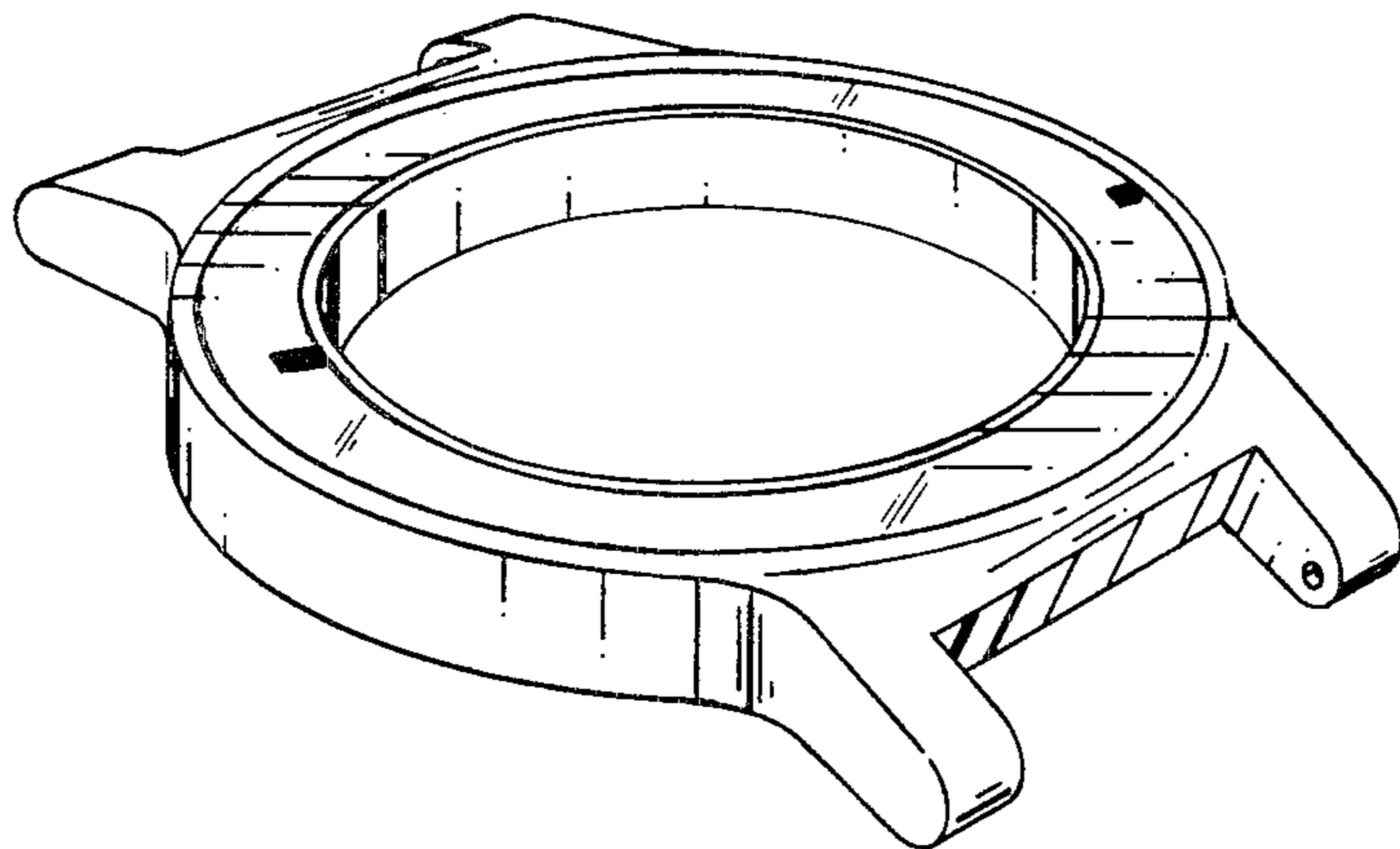


FIG. 1

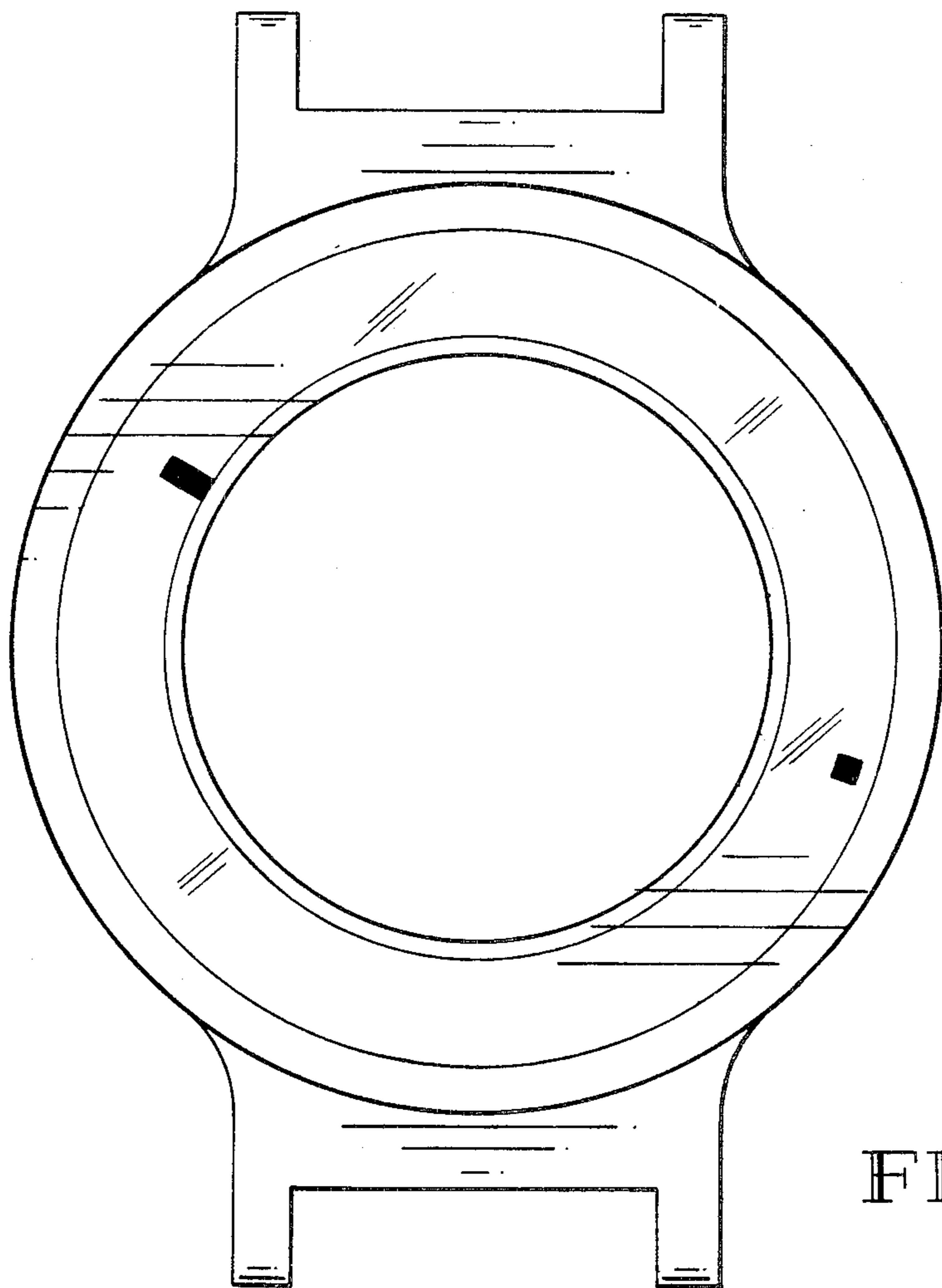


FIG. 2

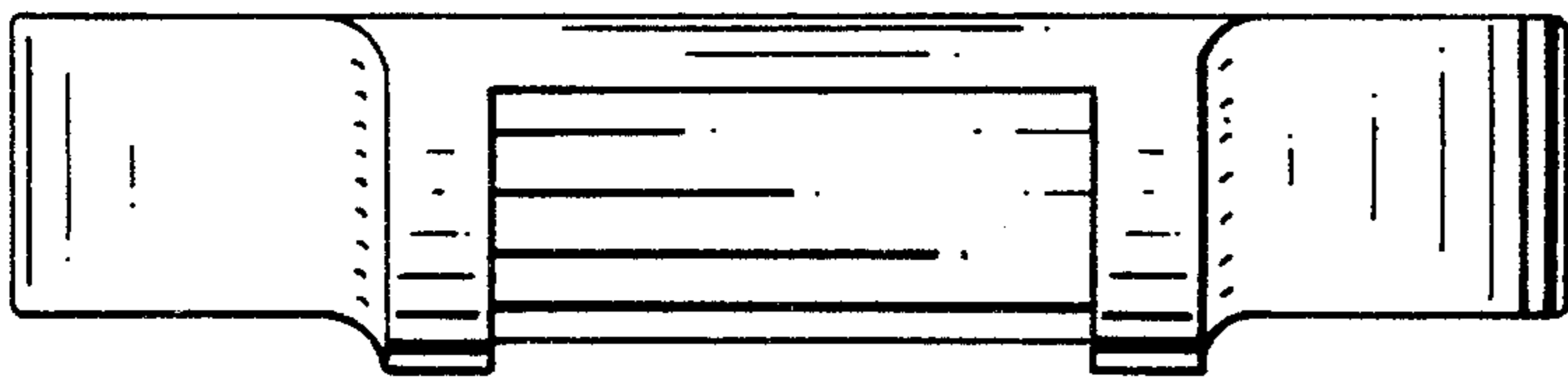


FIG. 3

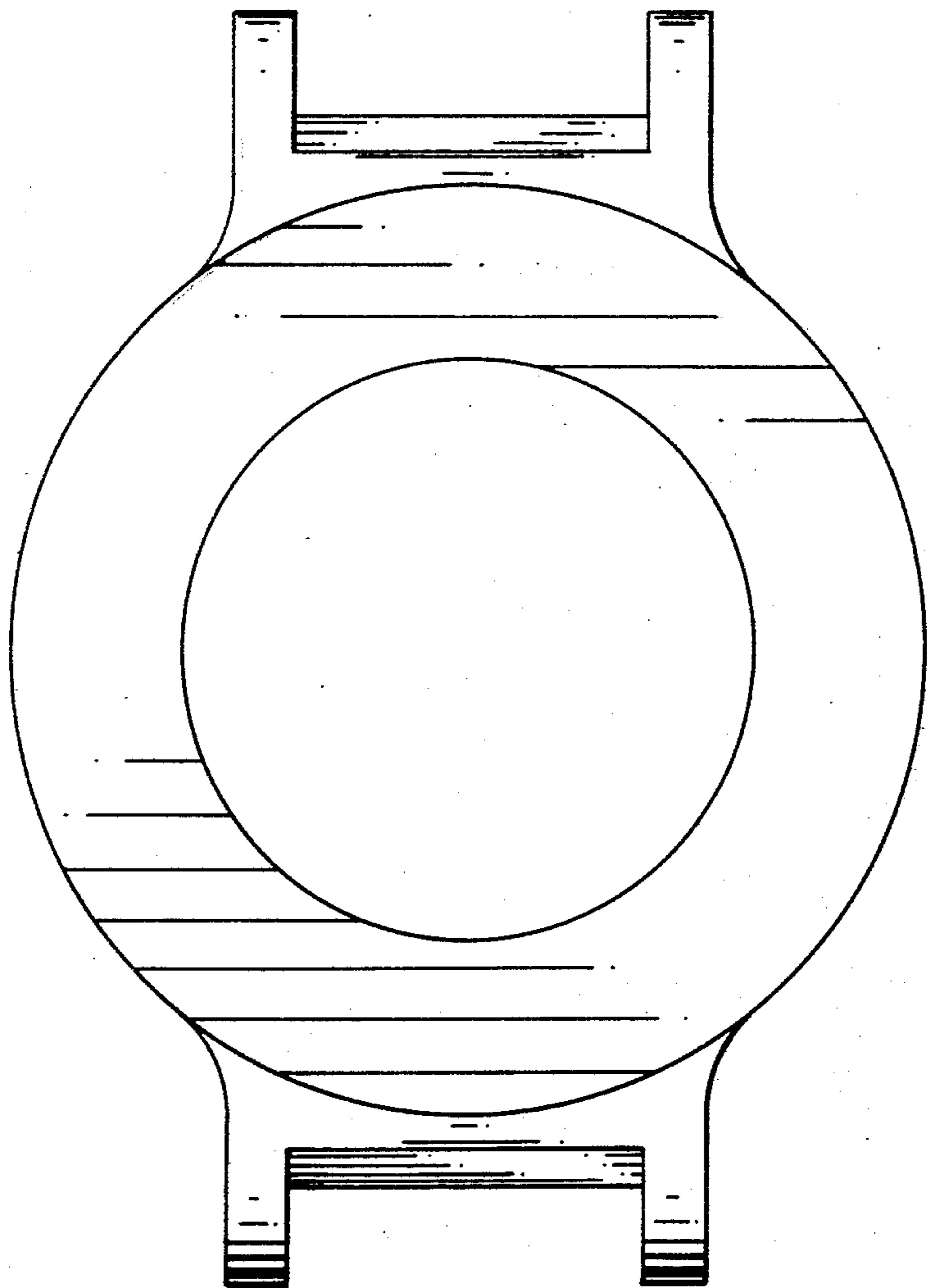


FIG. 4

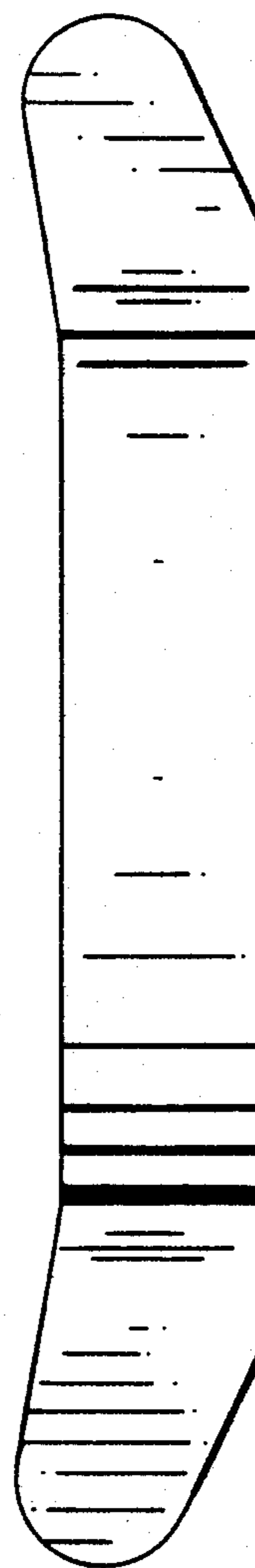


FIG. 5