

[54] HAIR CARE APPLIANCE PACKAGE

[75] Inventors: Frank Lindsey, Stratford, Conn.; Charles Walkley, East Brunswick, N.J.

[73] Assignee: Conair Corporation, Stamford, Conn.

[\*\*] Term: 14 Years

[21] Appl. No.: 818,322

[22] Filed: Jan. 13, 1986

[52] U.S. Cl. .... D9/415

[58] Field of Search ..... D9/337, 341, 345, 415, D9/424; 206/461, 463, 467, 470, 471, 495

[56] References Cited

U.S. PATENT DOCUMENTS

- D. 219,429 12/1970 Hill et al. .... D9/182
- D. 238,674 2/1976 Luedtke et al. .... D23/150
- D. 244,775 6/1977 Wilson ..... D23/150
- D. 252,797 9/1979 Fuller ..... D9/192

- D. 267,394 12/1982 Liptak et al. .... D9/415
- D. 275,835 10/1984 Borst ..... D9/415
- D. 281,277 11/1985 Okano ..... D9/415
- D. 281,306 11/1985 Reichenstein ..... D9/415
- 4,432,102 2/1984 Woodruff et al. .... 206/471 X
- 4,485,920 12/1984 Skyluik ..... 206/467 X

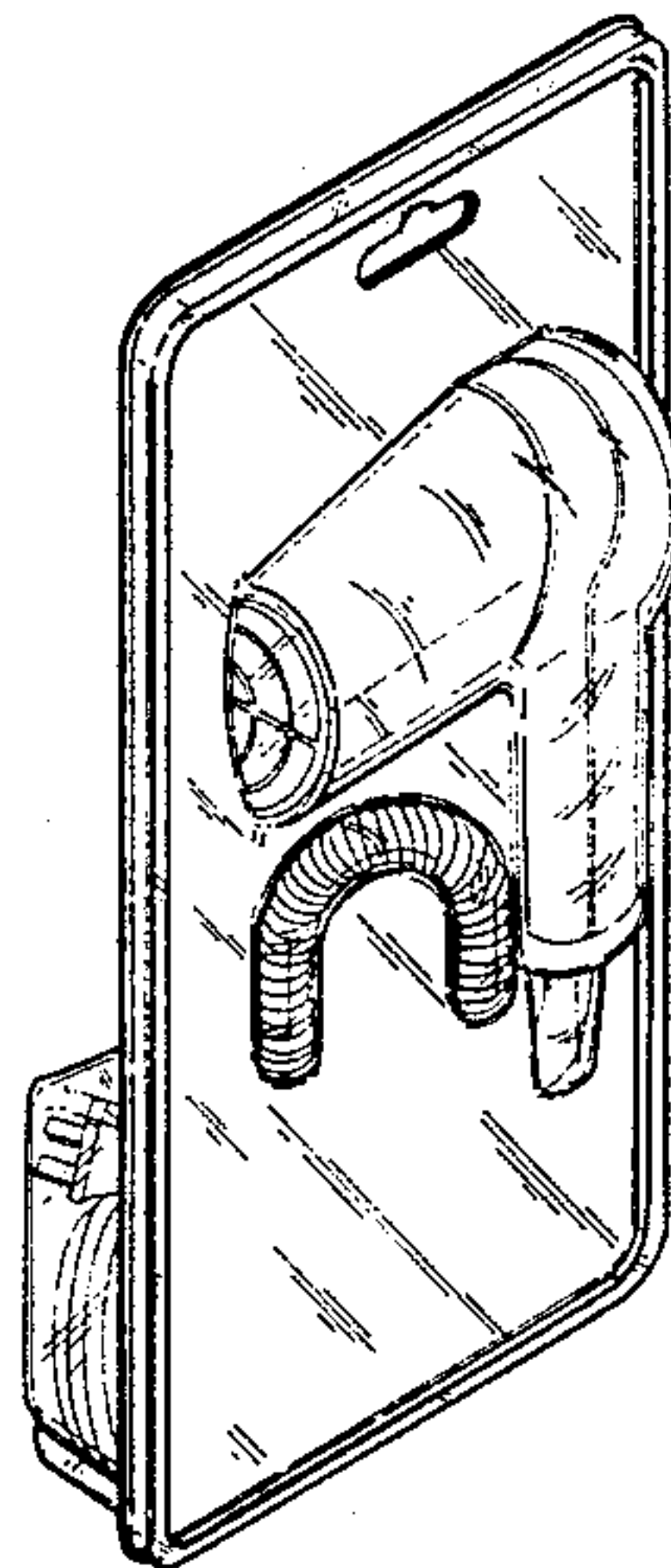
Primary Examiner—Robert C. Spangler  
Attorney, Agent, or Firm—Louis Weinstein

[57] CLAIM

The ornamental design for a hair care appliance pack-  
age, as shown and described.

DESCRIPTION

FIG. 1 is a front perspective view of a hair care appli-  
cance package showing our new design;  
FIG. 2 is a perspective rear view thereof;  
FIG. 3 is a top plan view thereof;  
FIG. 4 is a bottom plan view thereof;  
FIG. 5 is a left hand view thereof; and  
FIG. 6 is a right hand view thereof.



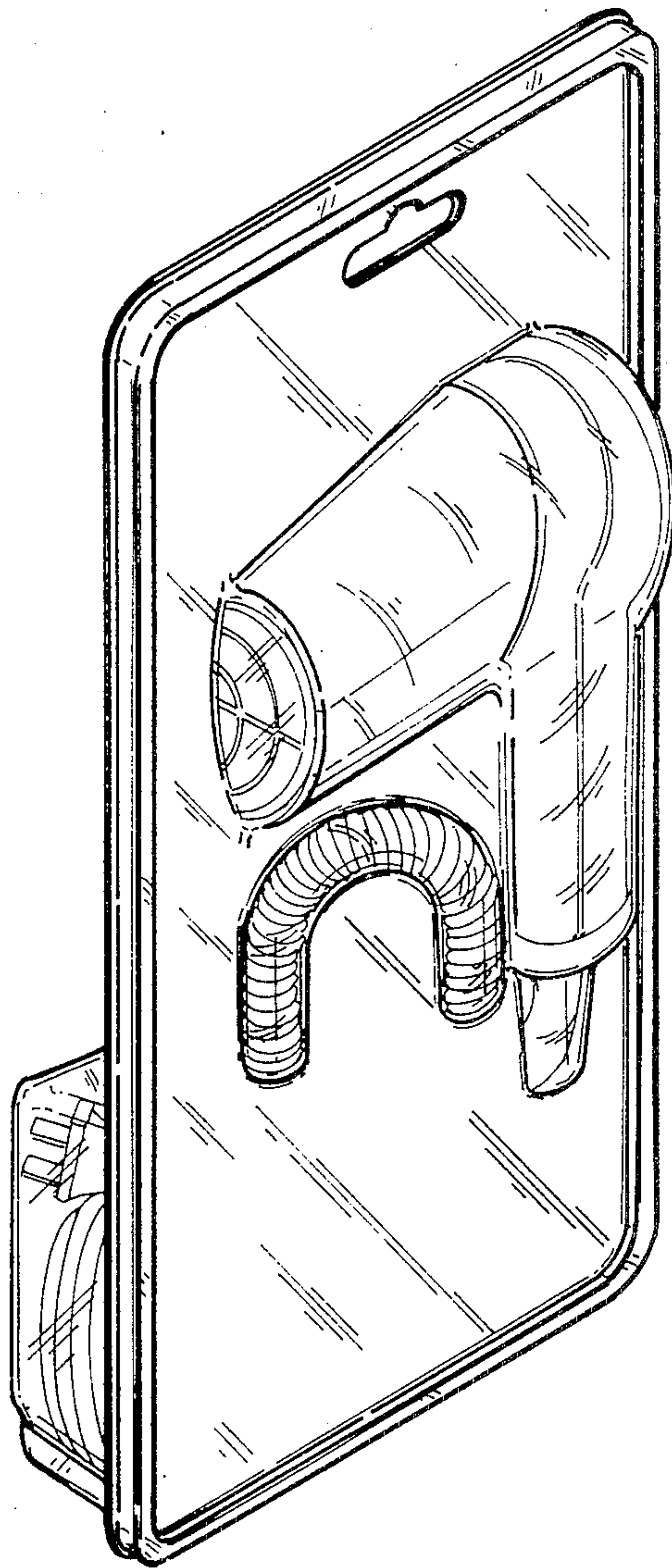


FIG. 1

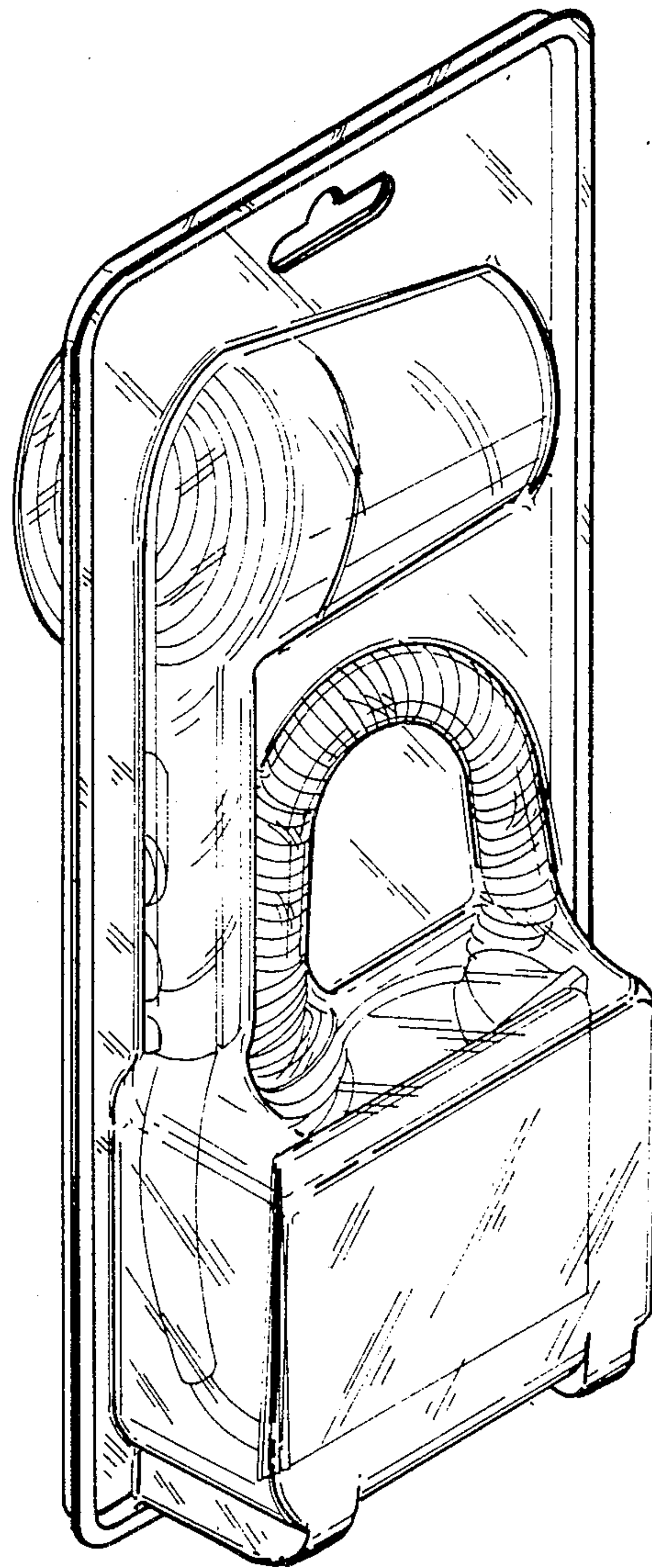


FIG. 2

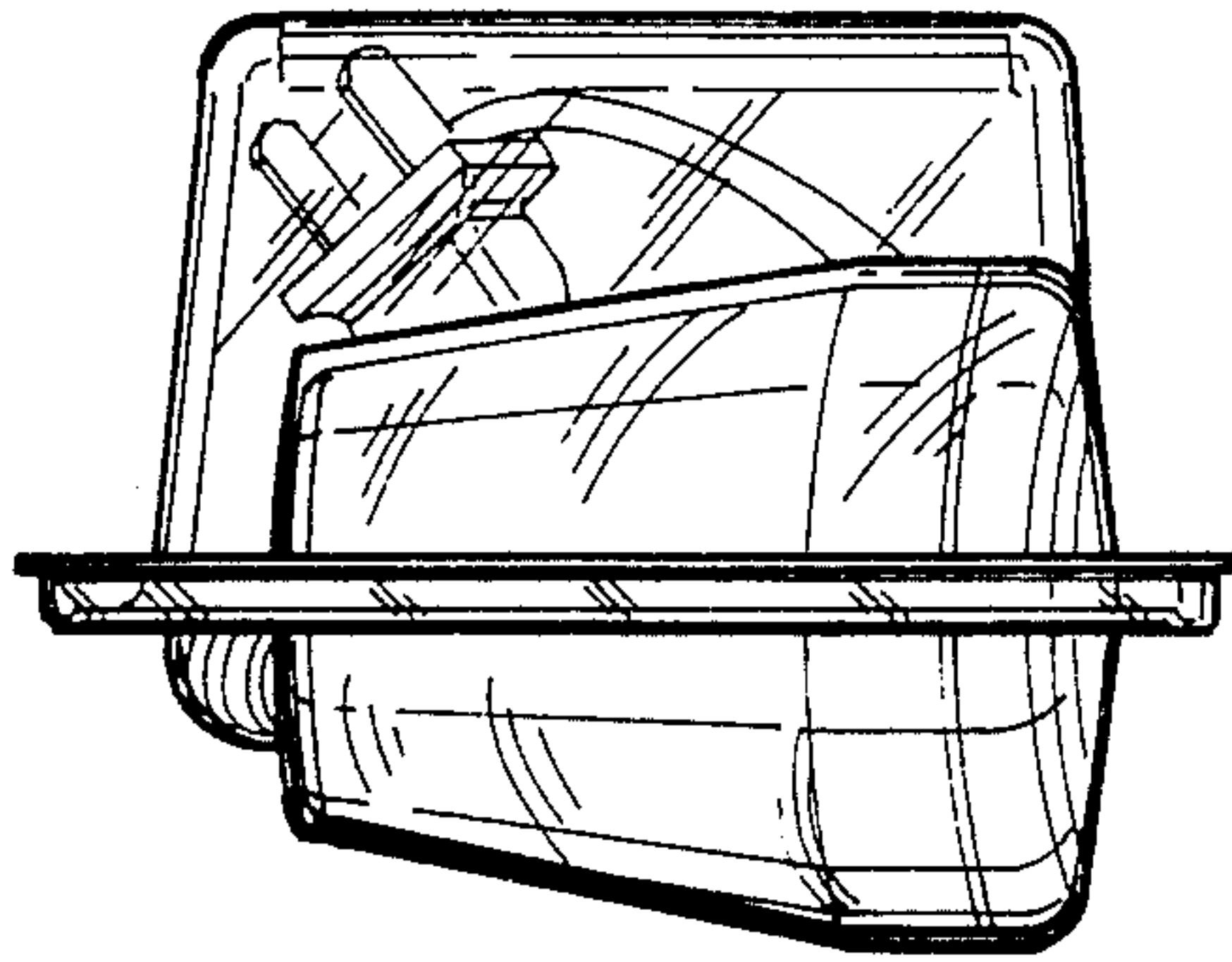


FIG. 3

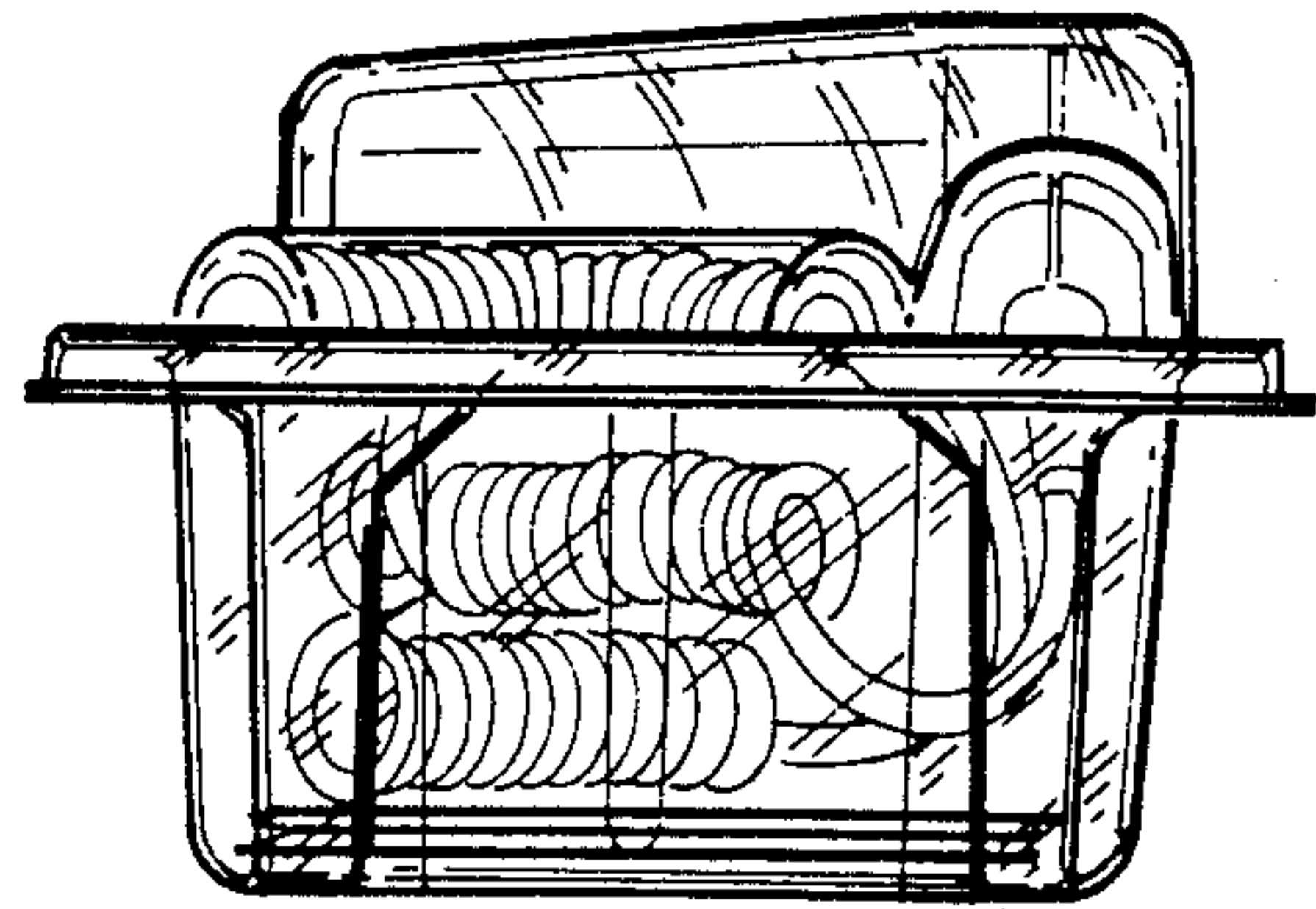


FIG. 4

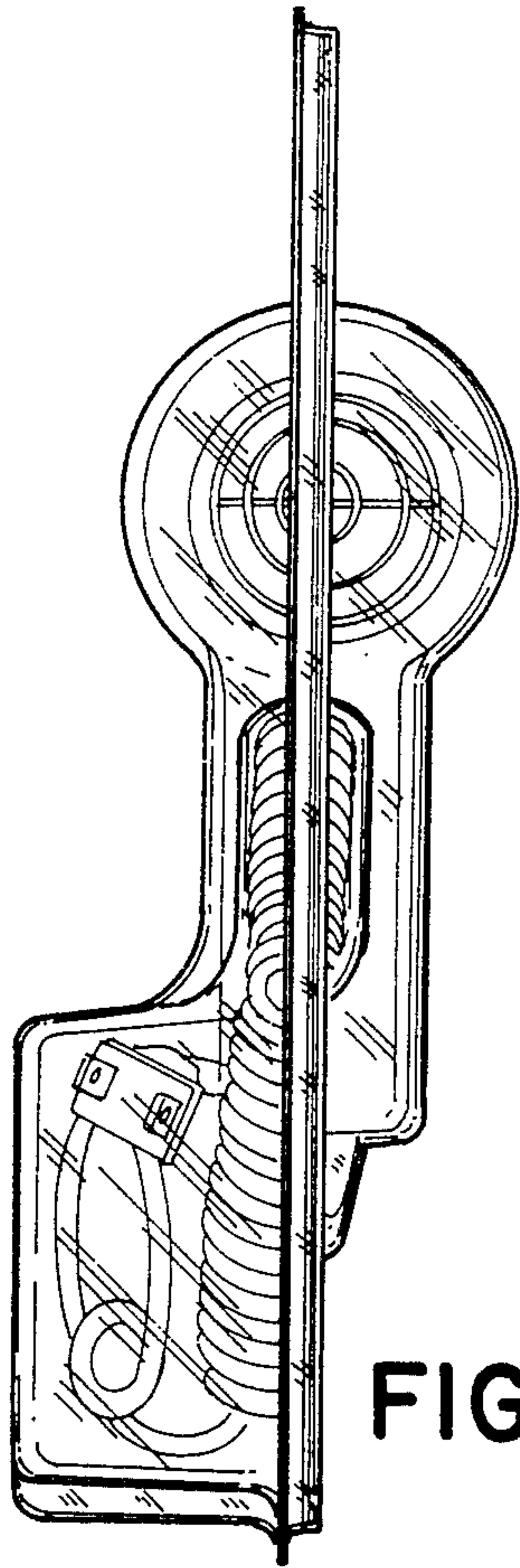


FIG. 5

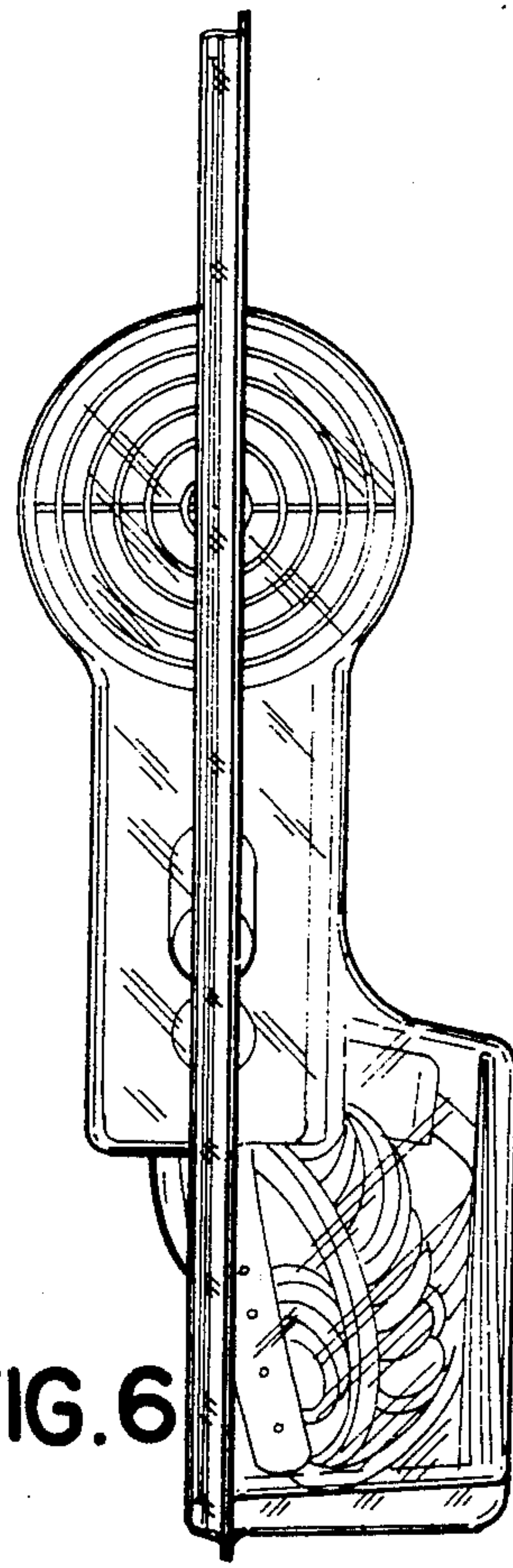


FIG. 6