

[54] BOTTLE

[76] Inventor: O. John Pillor, 556 Castlehill Dr., Walnut, Calif. 91789

[**] Term: 14 Years

[21] Appl. No.: 656,186

[22] Filed: Oct. 1, 1984

[52] U.S. Cl. D9/375; D9/307

[58] Field of Search D9/307, 333, 332, 375, D9/403, 413; 215/1 R, 1 C; D7/56, 57

[56] References Cited

U.S. PATENT DOCUMENTS

D. 88,067	10/1932	Bergaud	D9/413
D. 119,304	3/1940	Higgins	D9/413 X
D. 134,279	11/1942	Ross	D7/56
D. 218,281	8/1970	Diener	D9/375
D. 228,124	8/1973	Yamakawa	D9/375

D. 268,096	3/1983	Austin, Jr. et al.	D9/333
D. 269,948	8/1983	Janssen	D9/375

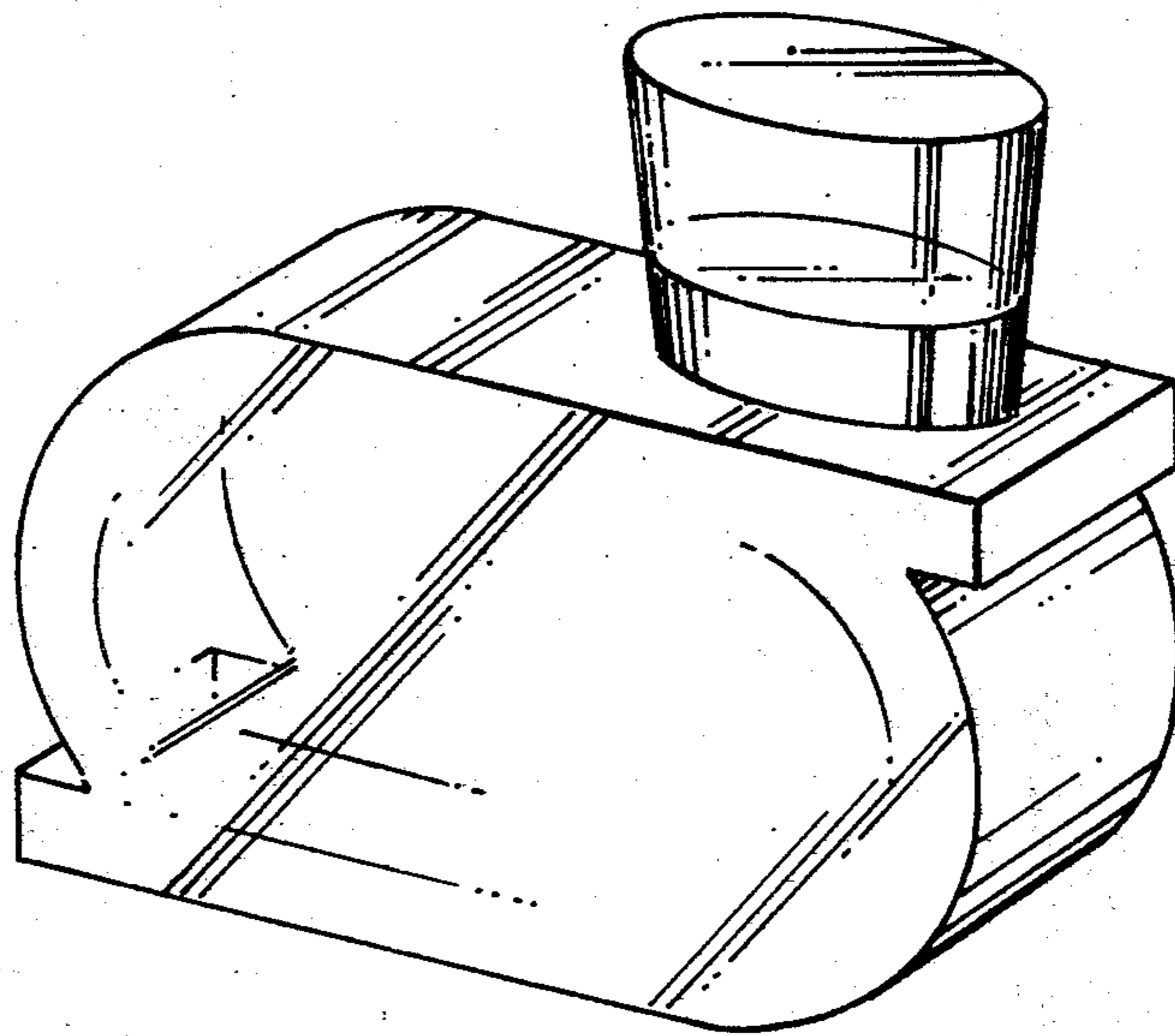
Primary Examiner—Robert C. Spangler
Attorney, Agent, or Firm—Andra M. Finkel

[57] CLAIM

The ornamental design for a bottle, substantially as shown.

DESCRIPTION

FIG. 1 is a perspective view of a bottle showing my new design;
FIG. 2 is a top plan view thereof;
FIG. 3 is a side elevational view thereof;
FIG. 4 is a front elevational view thereof;
FIG. 5 is a rear elevational view thereof;
FIG. 6 is a side elevational view showing the side opposite that seen in FIG. 3; and
FIG. 7 is a bottom plan view thereof.



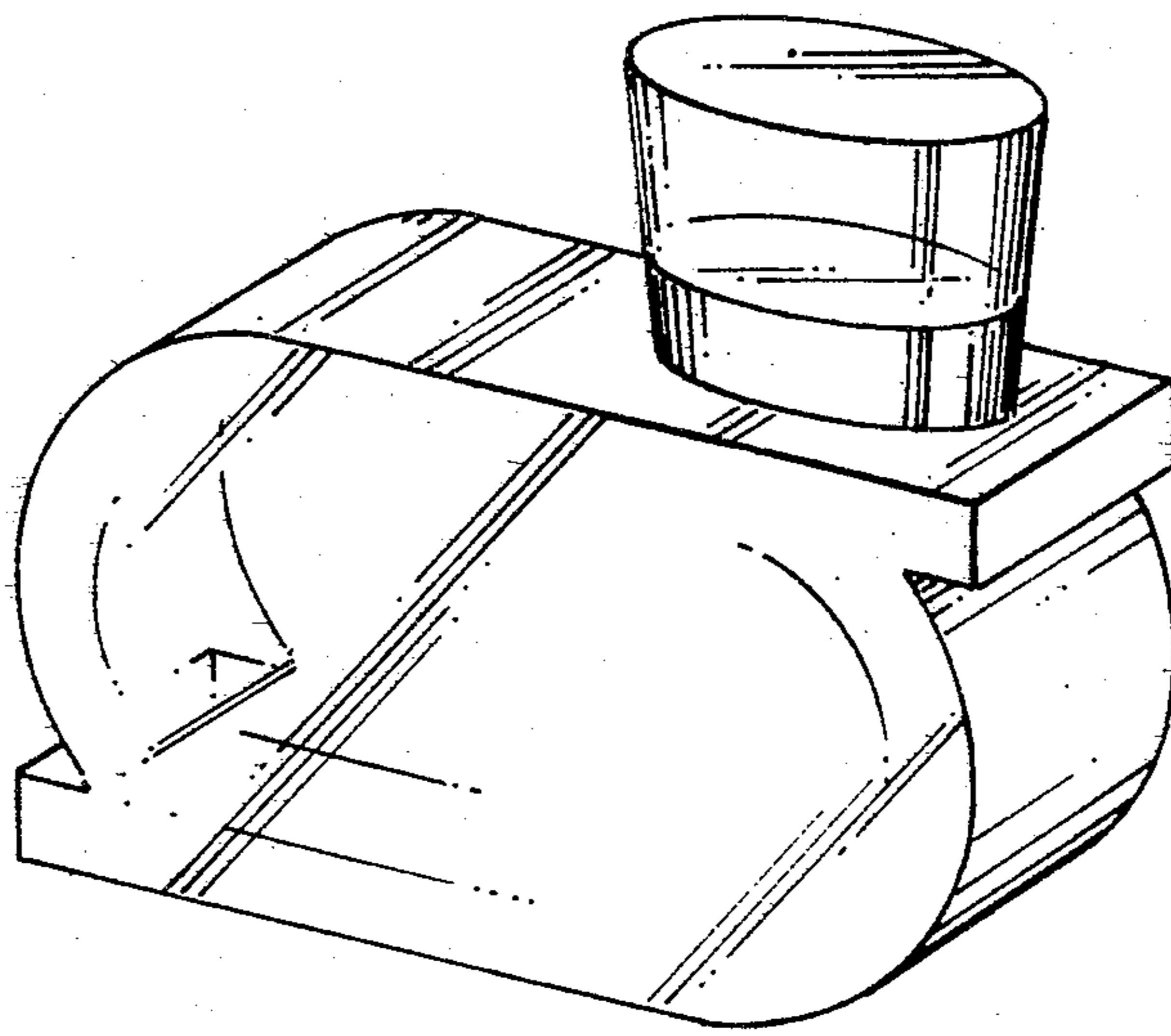


Fig. 1

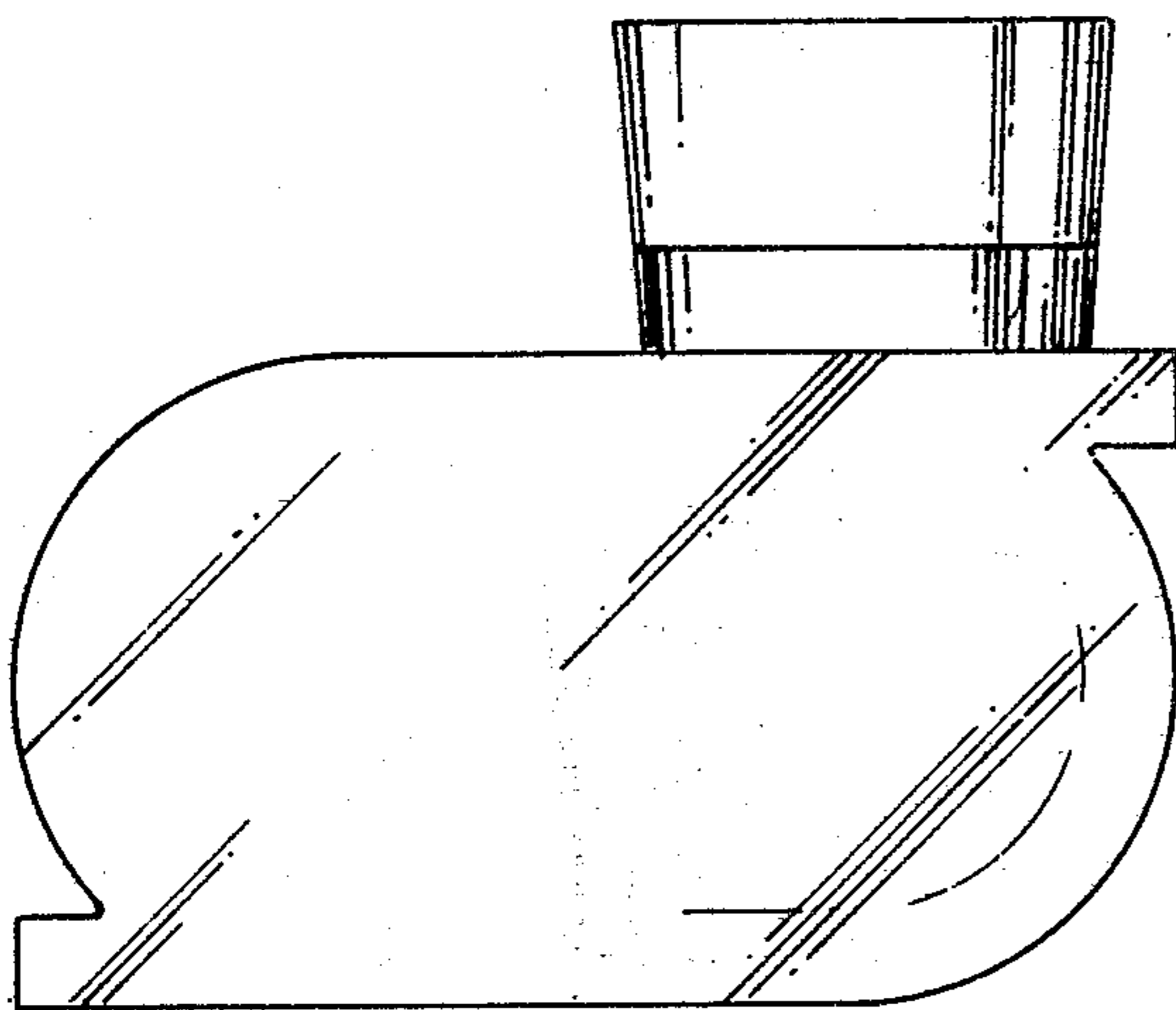


Fig. 3

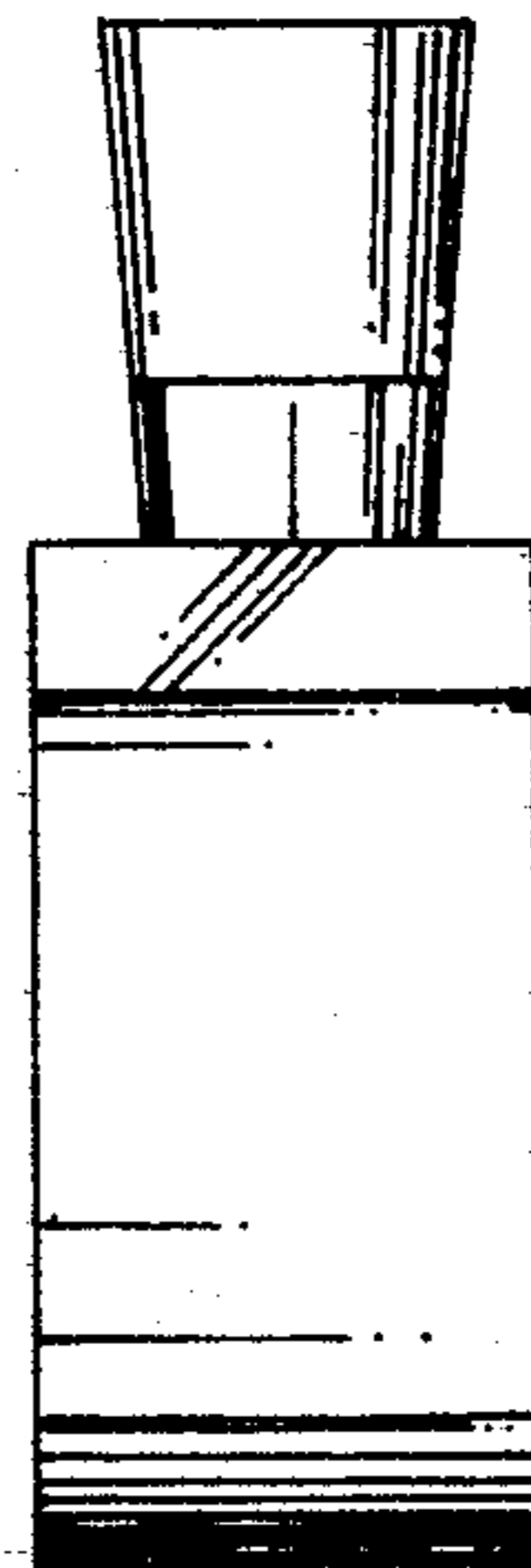


Fig. 4

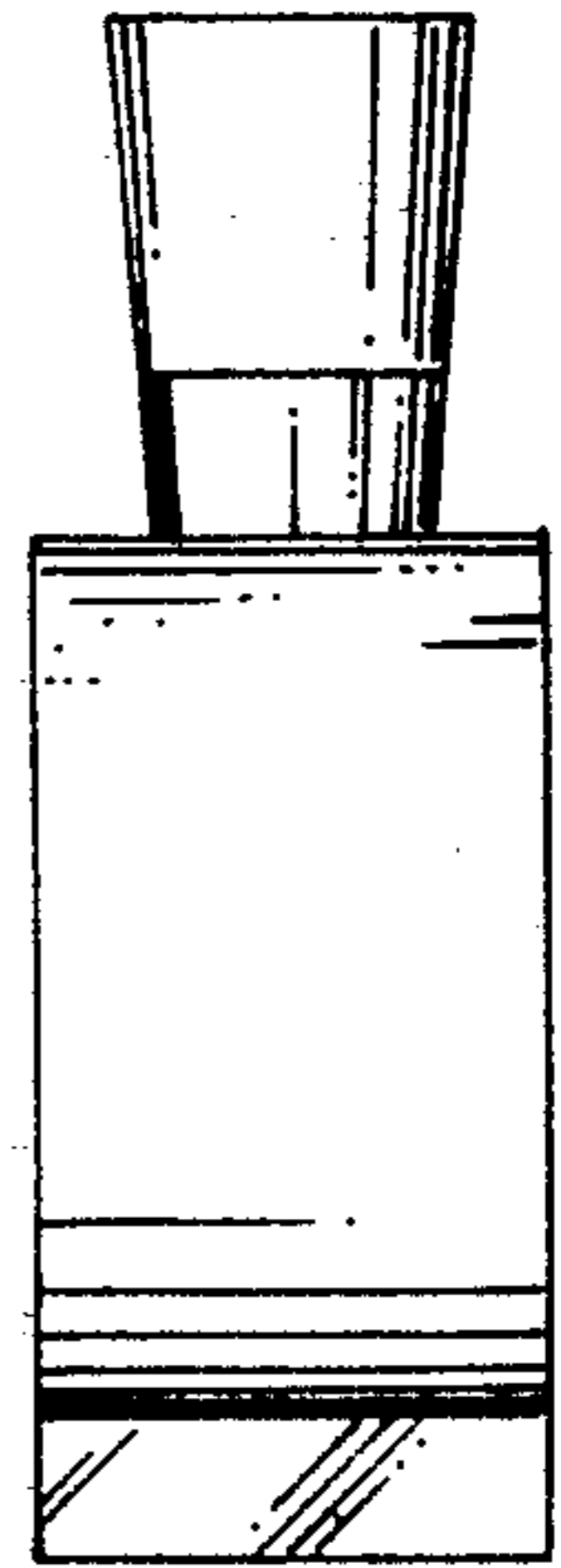


Fig. 5

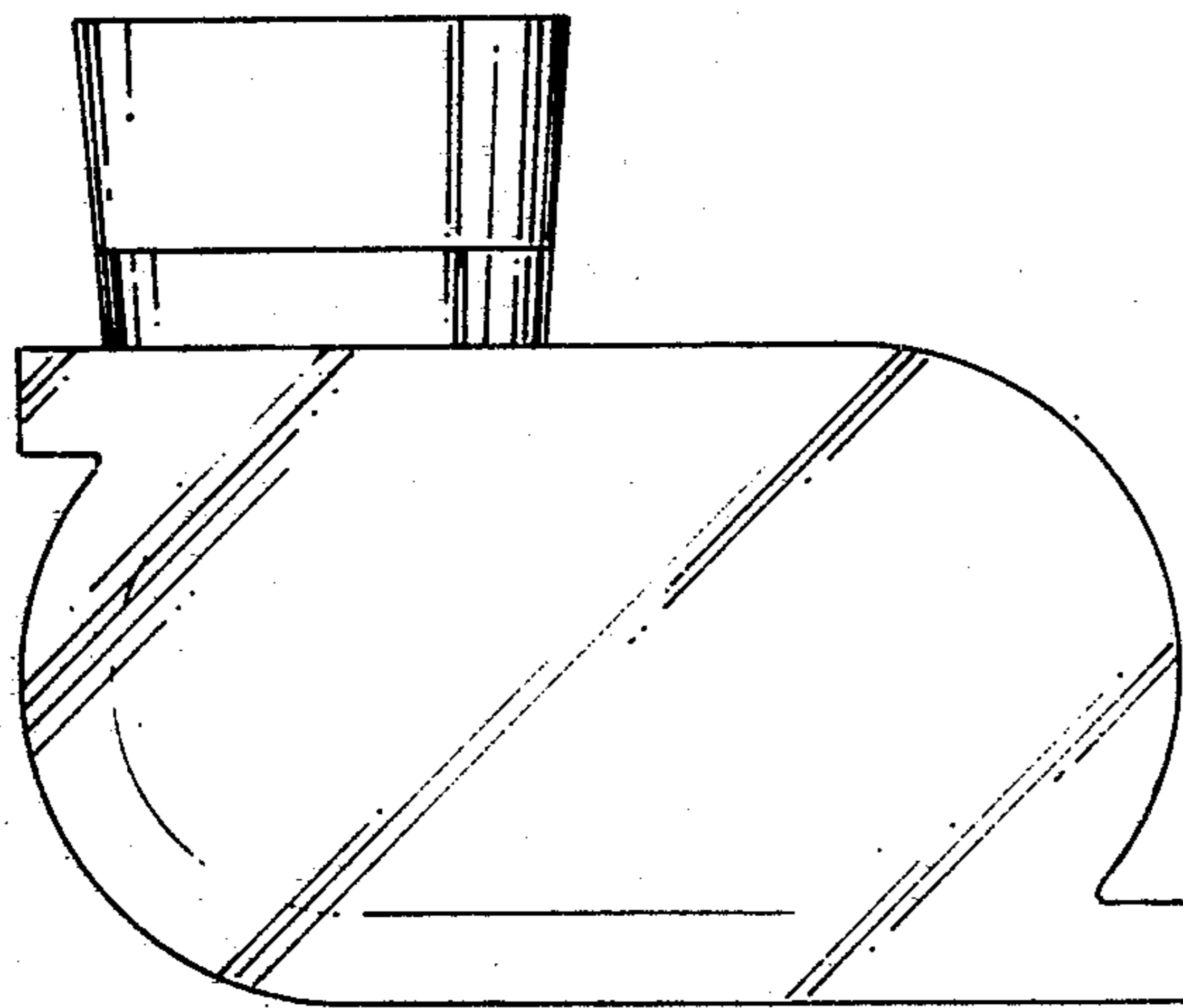


Fig. 6

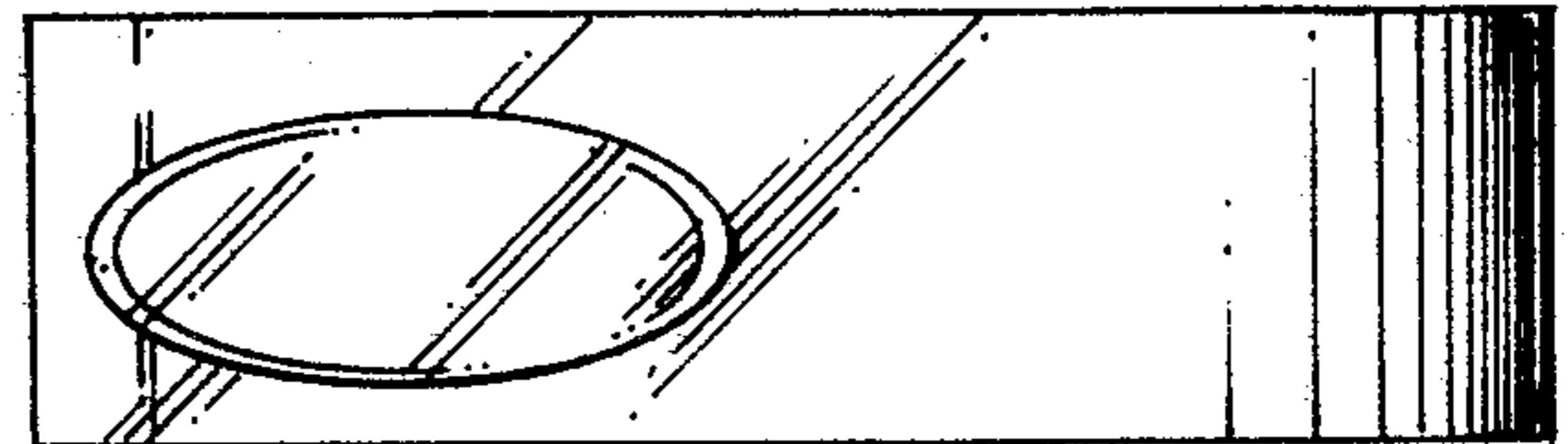


Fig. 2

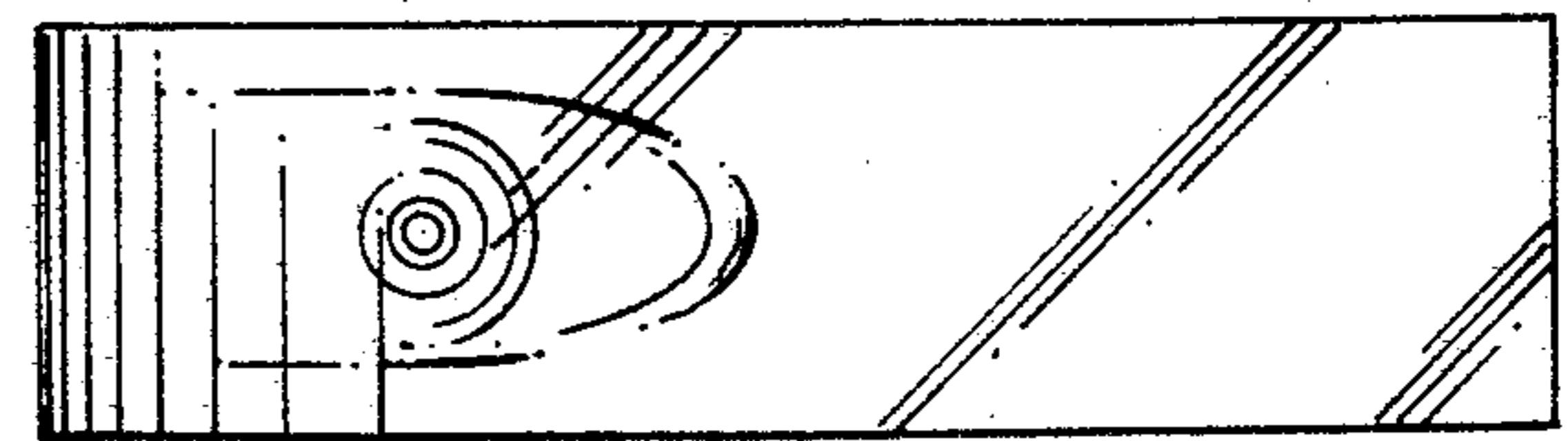


Fig. 7