

[54] **CONVEYOR CHAIN LINK**

[75] Inventors: **Roger H. Schroeder, Hartland;**
Wasyly G. Hodlewsky, Greendale,
both of Wis.

[73] Assignee: **Rexnord Inc., Brookfield, Wis.**

[*] Notice: The portion of the term of this patent
subsequent to Apr. 28, 2001 has been
disclaimed.

[**] Term: **14 Years**

[21] Appl. No.: **690,693**

[22] Filed: **Jan. 11, 1985**

[52] U.S. Cl. **D8/499**

[58] Field of Search **D8/499; 198/779, 850,**
198/845, 851, 853; 193/35 F

[56] **References Cited**

U.S. PATENT DOCUMENTS

2,862,609 12/1958 Bechtel, Jr. 198/845

3,197,020 7/1965 Evans et al. 198/779
4,231,469 11/1980 Arscott 198/779

FOREIGN PATENT DOCUMENTS

0066530 12/1982 European Pat. Off. 198/853
3039637 5/1982 Fed. Rep. of Germany 198/779
0103626 1/1964 Norway 198/851

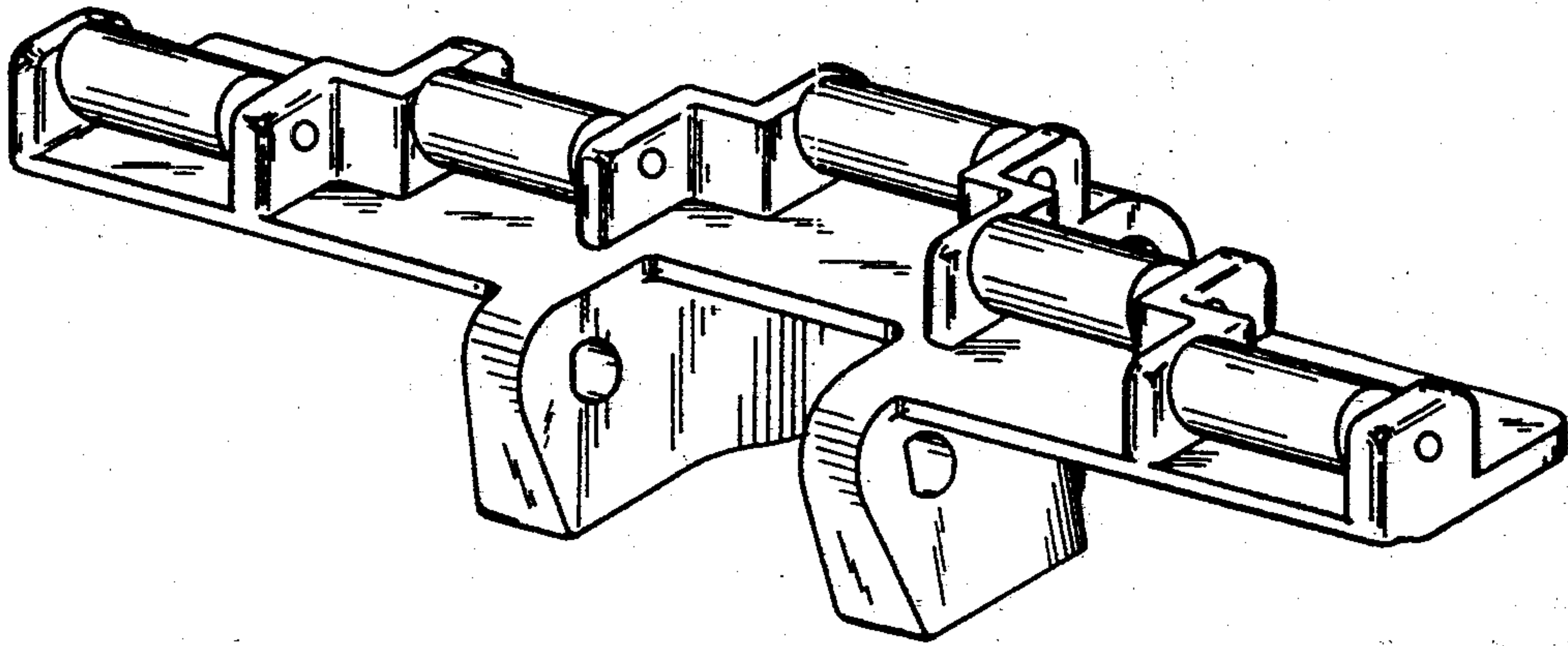
Primary Examiner—B. J. Bullock
Attorney, Agent, or Firm—William L. Falk

[57] **CLAIM**

The ornamental design for a conveyor chain link, as
shown and described.

DESCRIPTION

FIG. 1 is a perspective view of a conveyor chain link
showing our new design;
FIG. 2 is a top plan view thereof;
FIG. 3 is a left side elevational view thereof, the right
being a mirror image;
FIG. 4 is a front elevational view thereof;
FIG. 5 is a bottom plan view thereof; and
FIG. 6 is an inverted rear elevational view thereof.



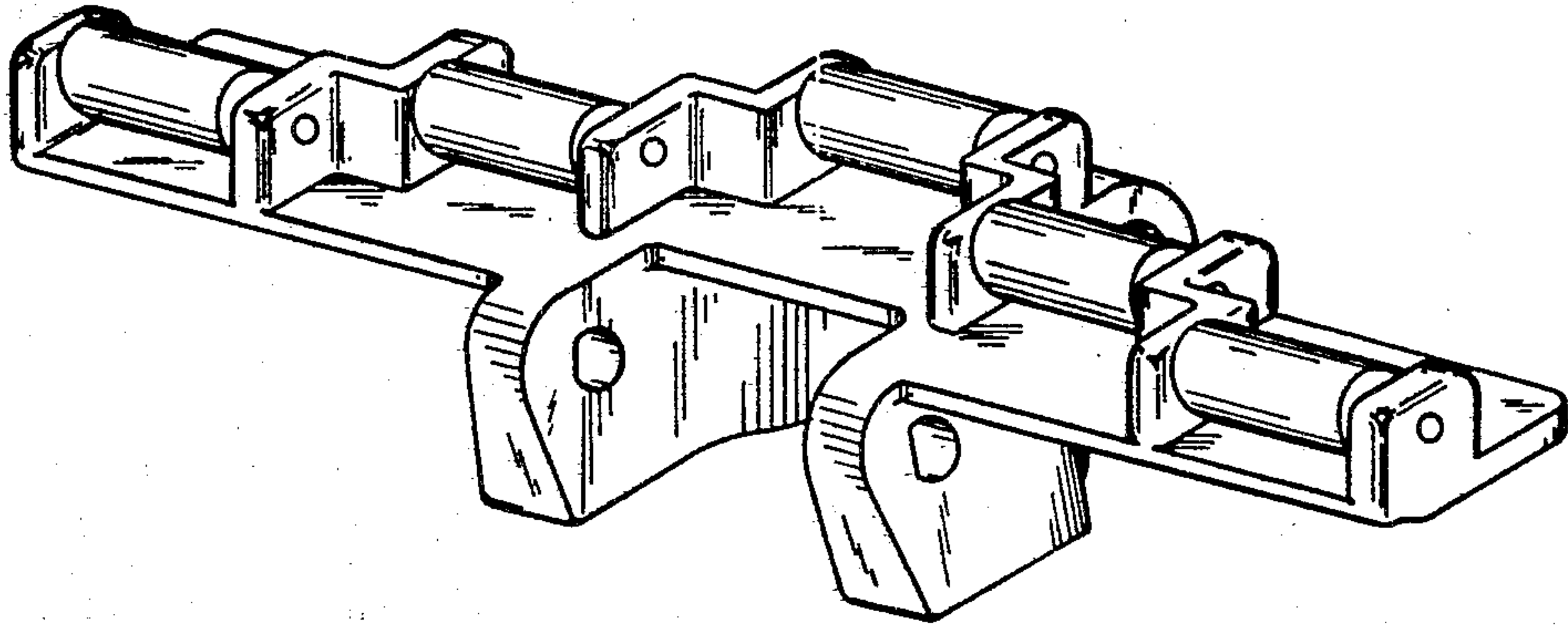


FIG. 1

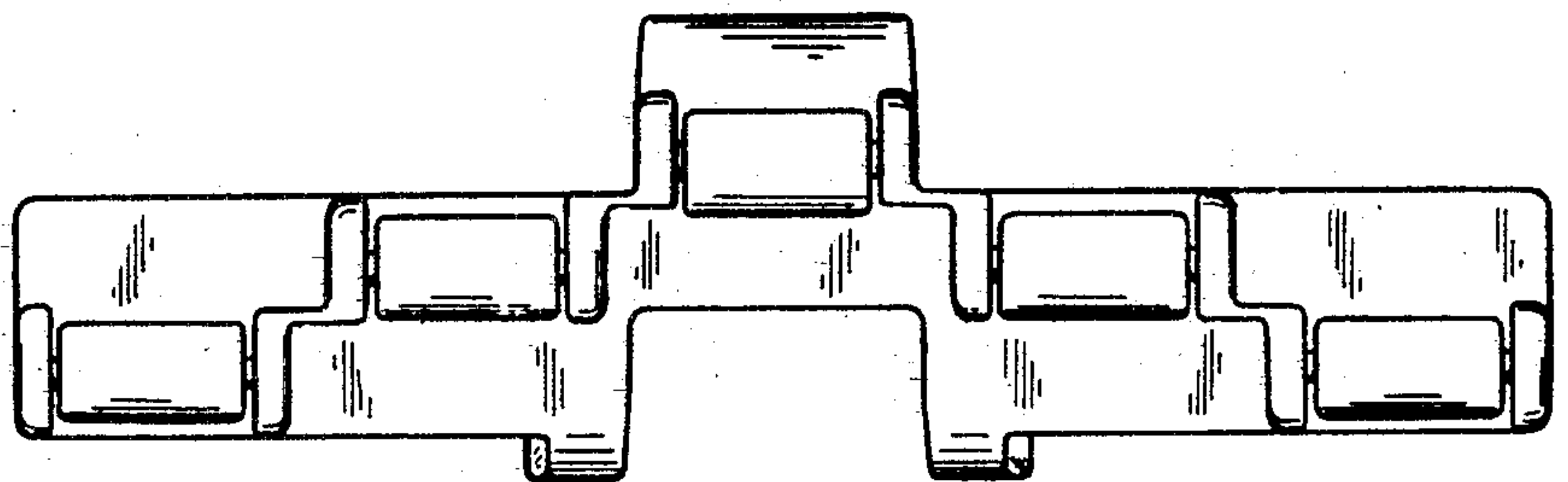


FIG. 2

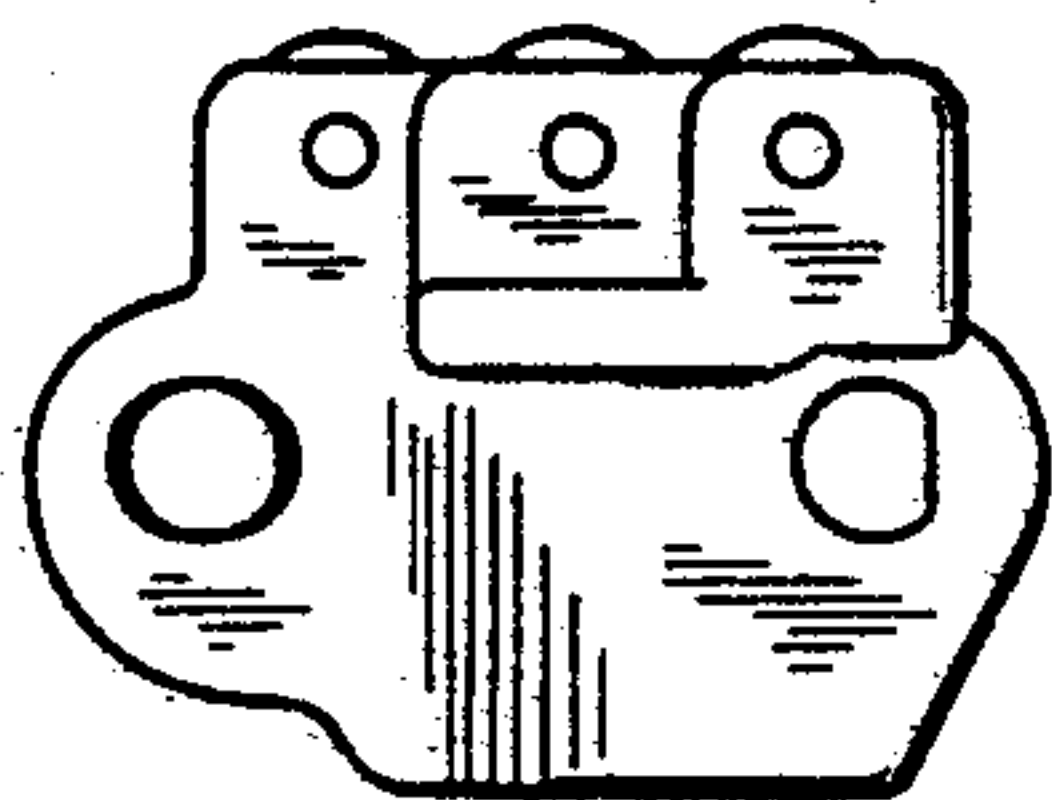


FIG. 3

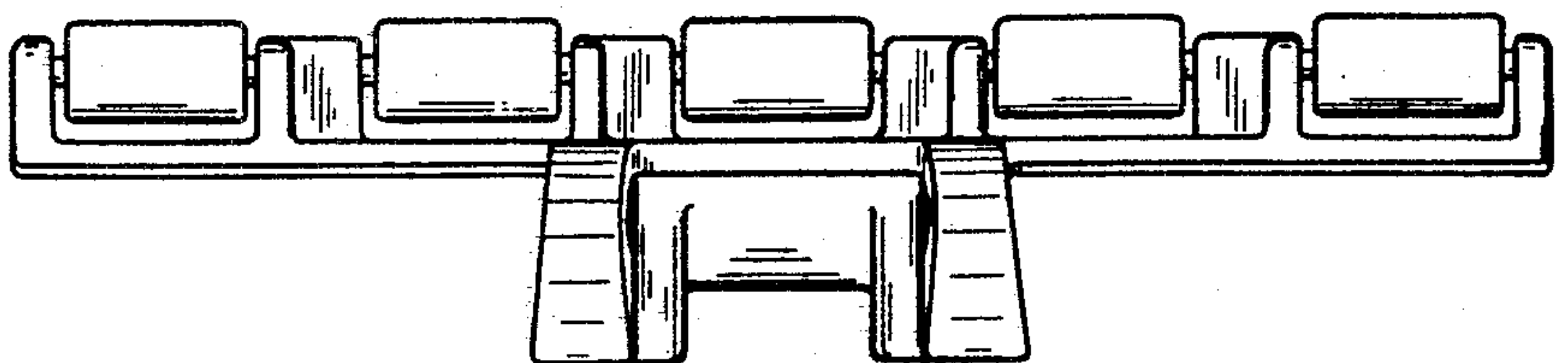


FIG. 4

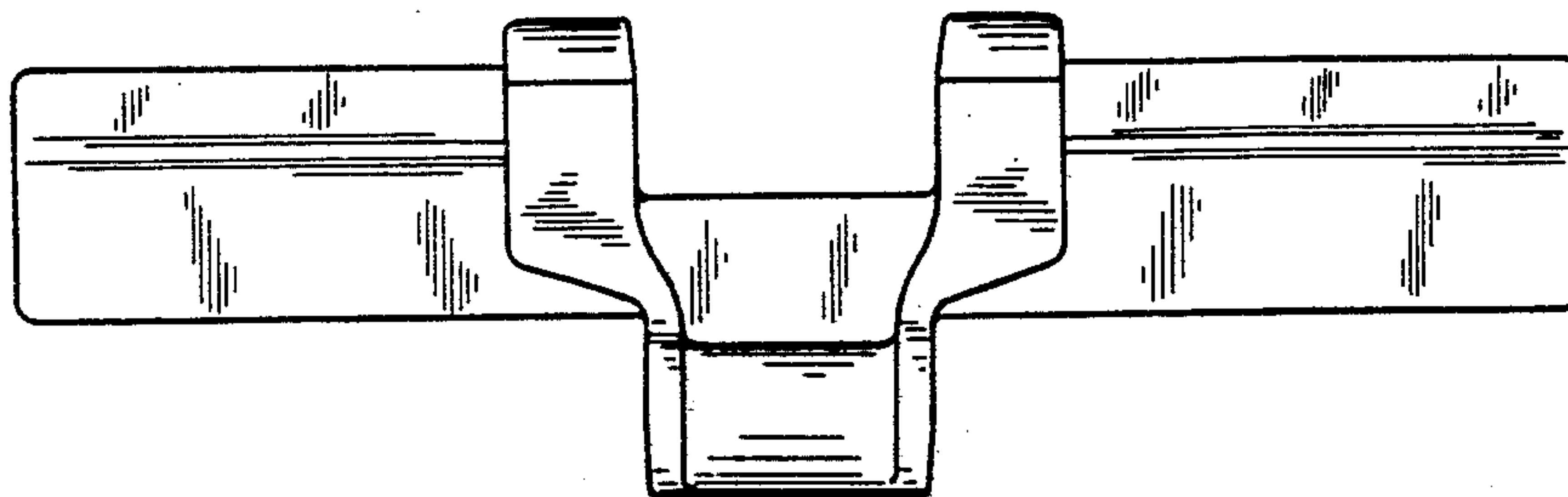


FIG. 5

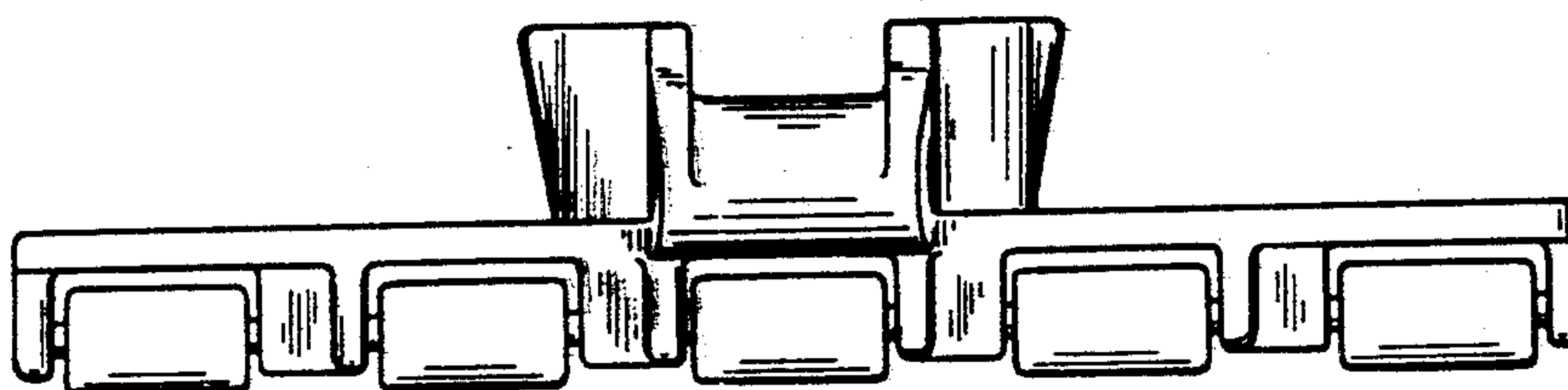


FIG. 6