

[54] SINGLE SLOT BRACKET FOR CYLINDRICAL OBJECT

[76] Inventor: Donald M. Jason, R.R. 2, Box 669, Mountain View Rd., Asbury, N.J. 08802

[**] Term: 14 Years

[21] Appl. No.: 647,404

[22] Filed: Sep. 4, 1984

[52] U.S. Cl. D8/356; D8/396

[58] Field of Search D8/349, 364, 354, 356, D8/380, 388, 395, 396, 357; 24/543, 297, 507, 457; 248/74.2, 73, 70.8; D6/562

[56] References Cited

U.S. PATENT DOCUMENTS

D. 204,159	3/1966	Piasecki	D8/395
D. 248,347	7/1978	McCollum	D6/552
D. 269,851	7/1983	Kimara	D8/356
D. 272,125	1/1984	von Doren	D8/356
2,068,932	1/1937	Quarnstrom	248/73
2,803,050	8/1957	Fernberg	D8/395 X
2,819,858	1/1958	Hendorf	248/74.2
2,974,703	3/1961	Rapata	248/73 X
3,444,596	5/1967	Soltysik	248/73
3,521,332	7/1970	Kramer	248/74.2 X

4,295,618 10/1981 Moroto et al. 248/73

FOREIGN PATENT DOCUMENTS

1131046 6/1962 Fed. Rep. of Germany 248/74.2

2455866 6/1975 Fed. Rep. of Germany 248/73

OTHER PUBLICATIONS

Catalog, Richlo Plastic Co.; cover, righthand lower corner Spacer Unit.

Primary Examiner—Wallace R. Burke

Assistant Examiner—Horace B. Fay

Attorney, Agent, or Firm—Kenneth P. Glynn

[57] CLAIM

The ornamental design for a single slot bracket for cylindrical object, as shown and described.

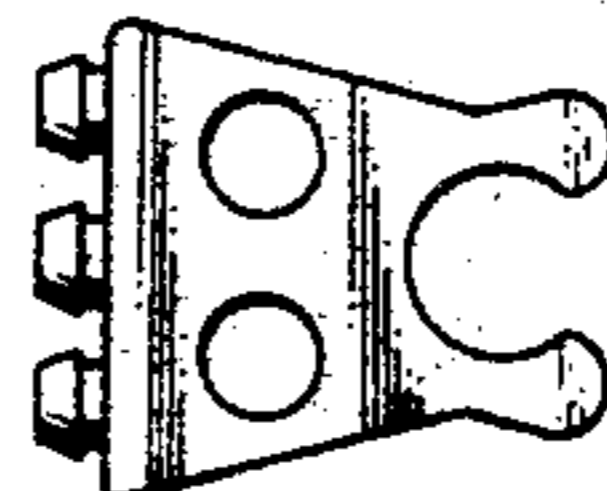
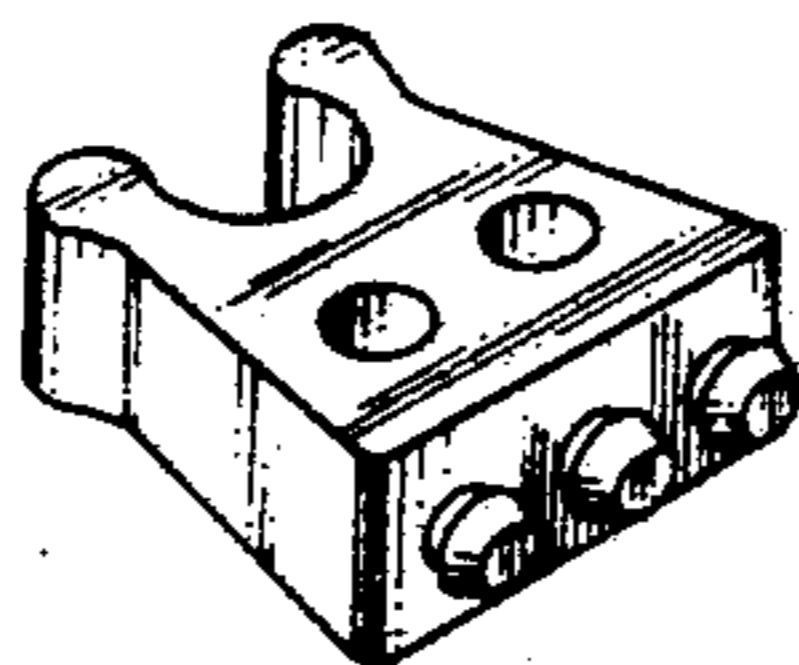
DESCRIPTION

FIG. 1 is a left side, top and front perspective view of a single slot bracket for cylindrical object showing my new design;

FIGS. 2 and 3 are respectively left and right side elevational views thereof;

FIGS. 4 and 5 are respectively top and bottom plan views thereof; and

FIGS. 6 and 7 are respectively front and rear views thereof.



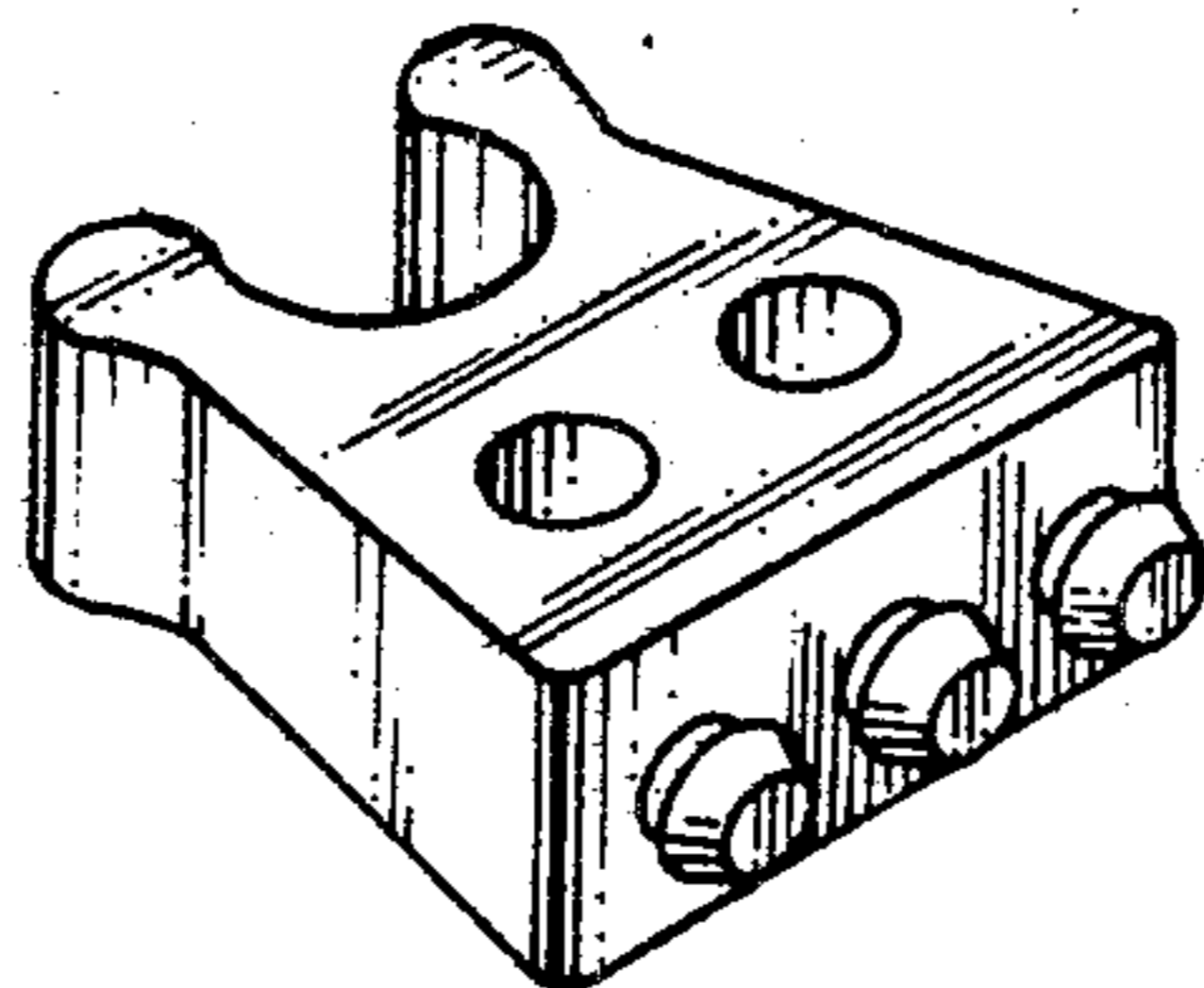


FIG. 1



FIG. 2



FIG. 3

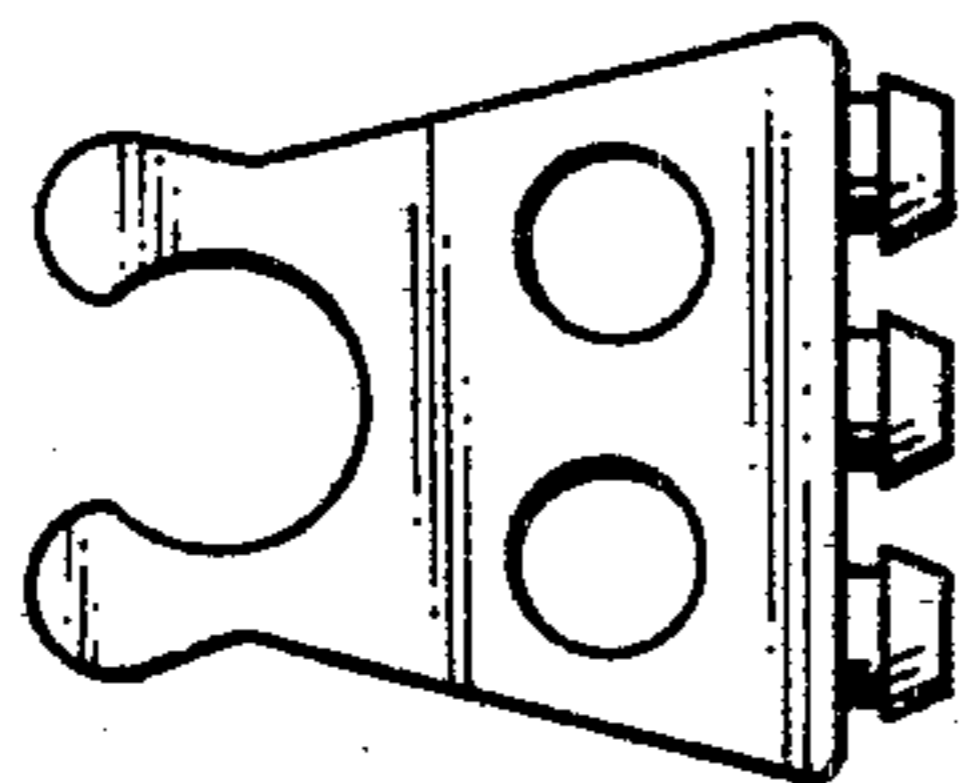


FIG. 4

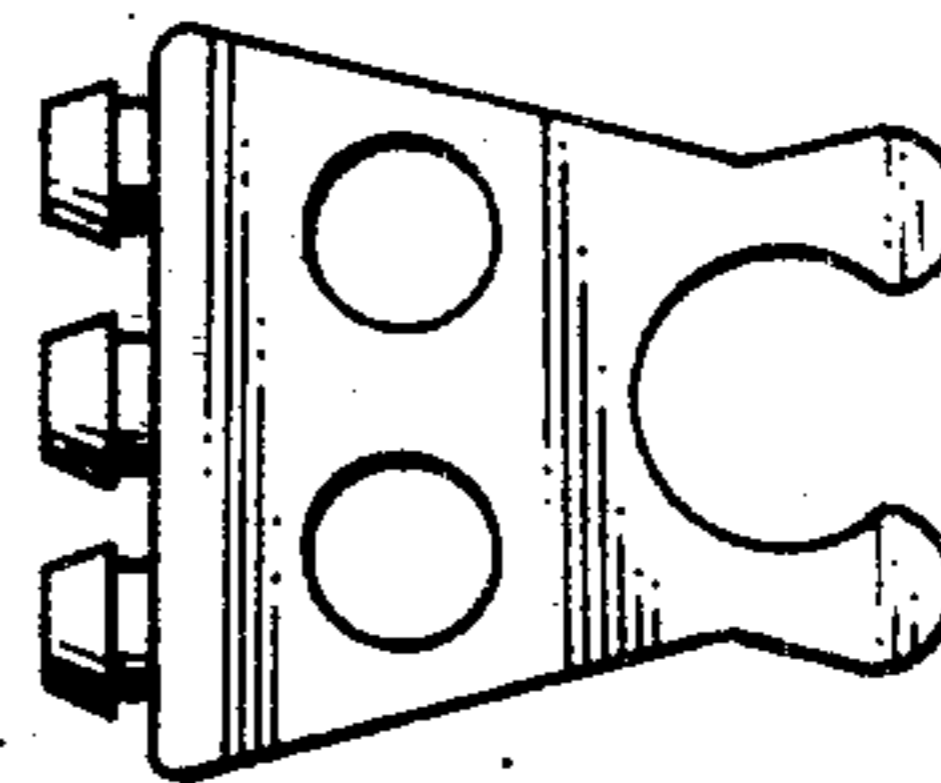


FIG. 5



FIG. 6



FIG. 7