

[54] **COMBINED COFFEE MAKING FILTER AND DRIP STAND**

[75] Inventor: **Albert Greutert**, Sachseln, Switzerland

[73] Assignee: **Maxs AG**, Sachseln, Switzerland

[\*\*] Term: **14 Years**

[21] Appl. No.: **597,615**

[22] Filed: **Apr. 6, 1984**

[30] **Foreign Application Priority Data**

Oct. 6, 1983 [DE] Fed. Rep. of Germany ..... URA 1178/83

[52] U.S. Cl. .... **D7/400; D7/310**

[58] Field of Search ..... **D7/309, 310, 308, 305, D7/300, 311, 312, 399, 400, 397; 99/306, 316**

[56] **References Cited**

**U.S. PATENT DOCUMENTS**

D. 51,200	8/1917	Curtiss .....	D7/309
D. 138,363	7/1944	Giuriati .....	D7/308
D. 201,949	8/1965	Bloomfield .....	D7/309
D. 203,287	12/1965	Rodriguez .....	D7/400 X
D. 234,285	2/1975	Wickenberg .....	D7/309
3,853,043	12/1974	Stavropoulos .....	99/306

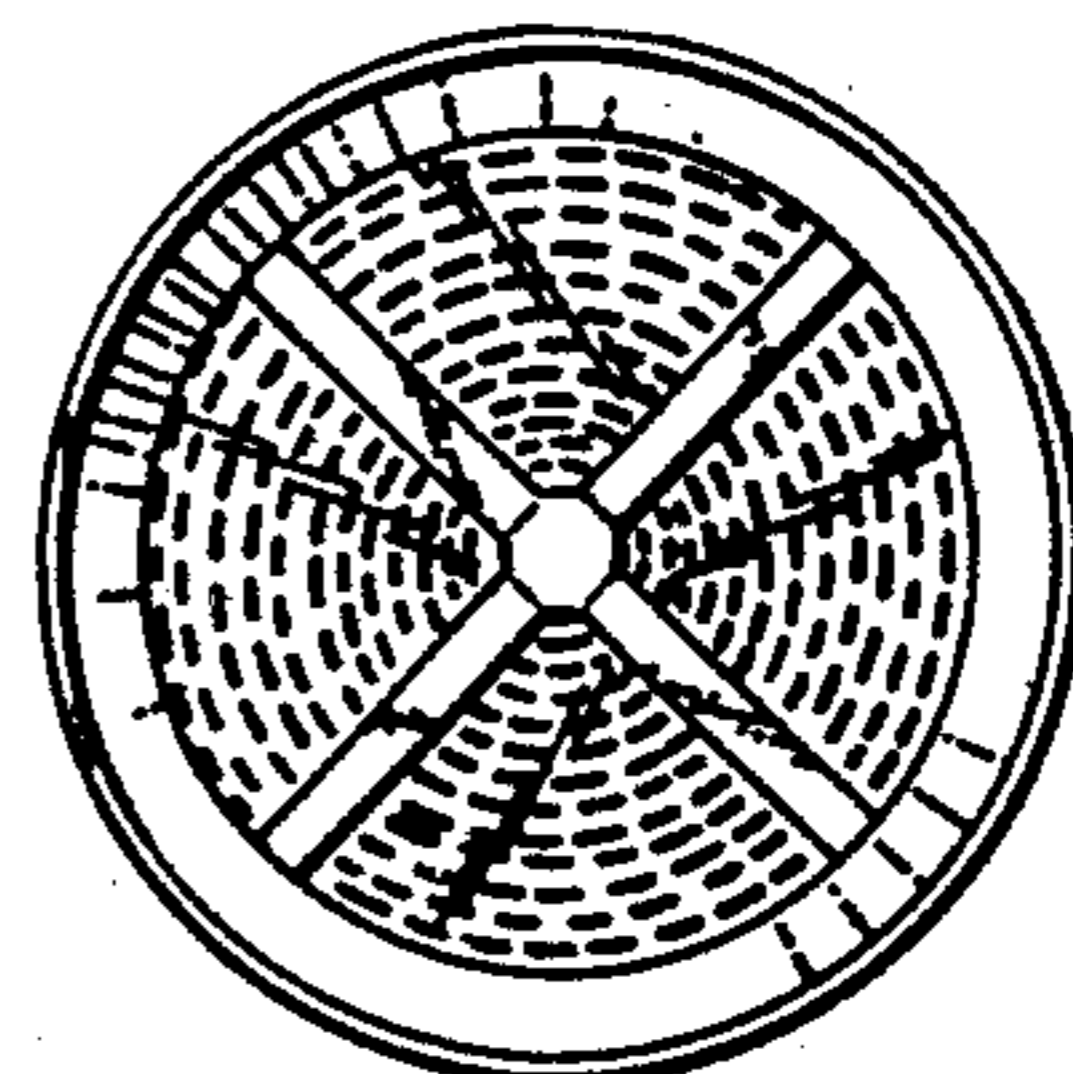
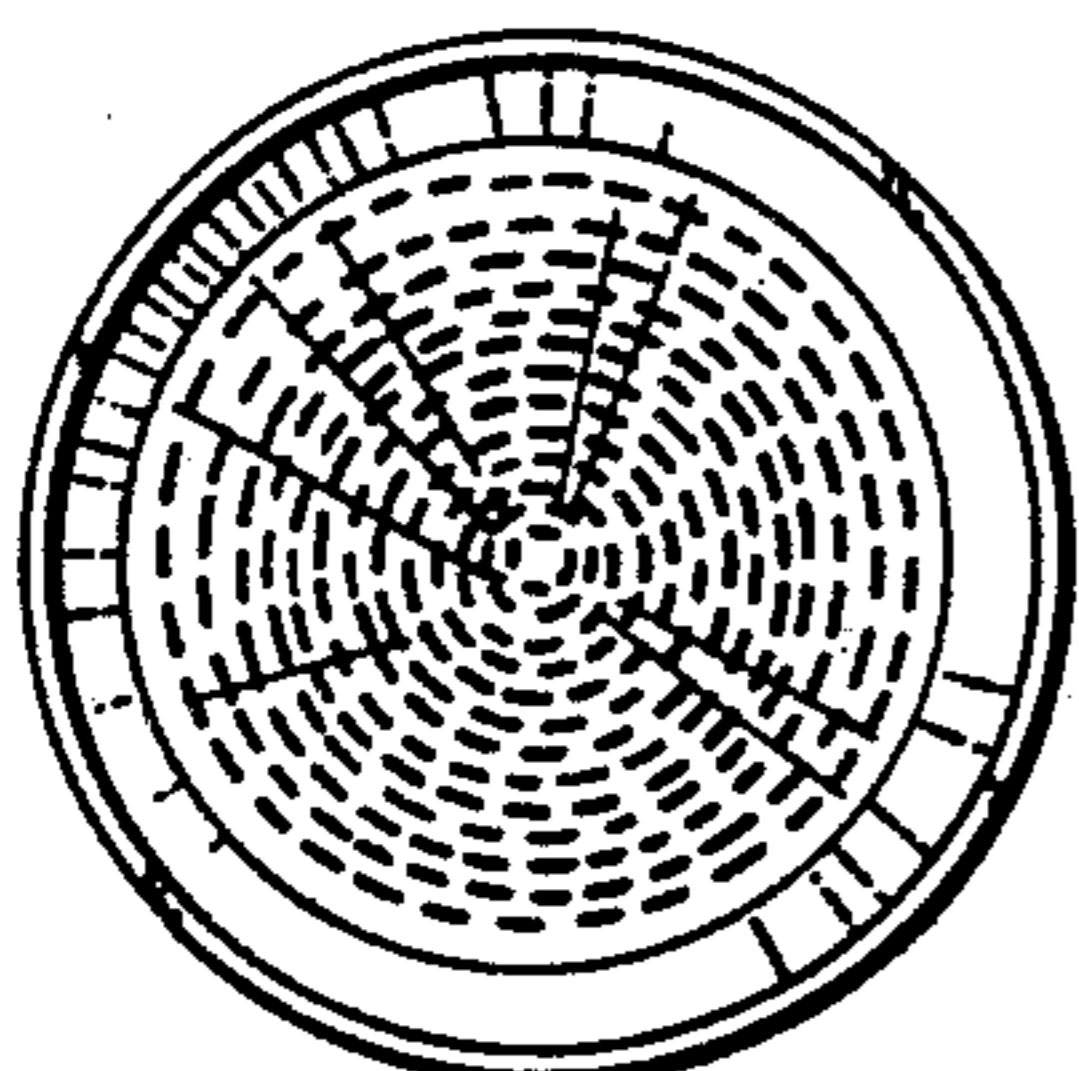
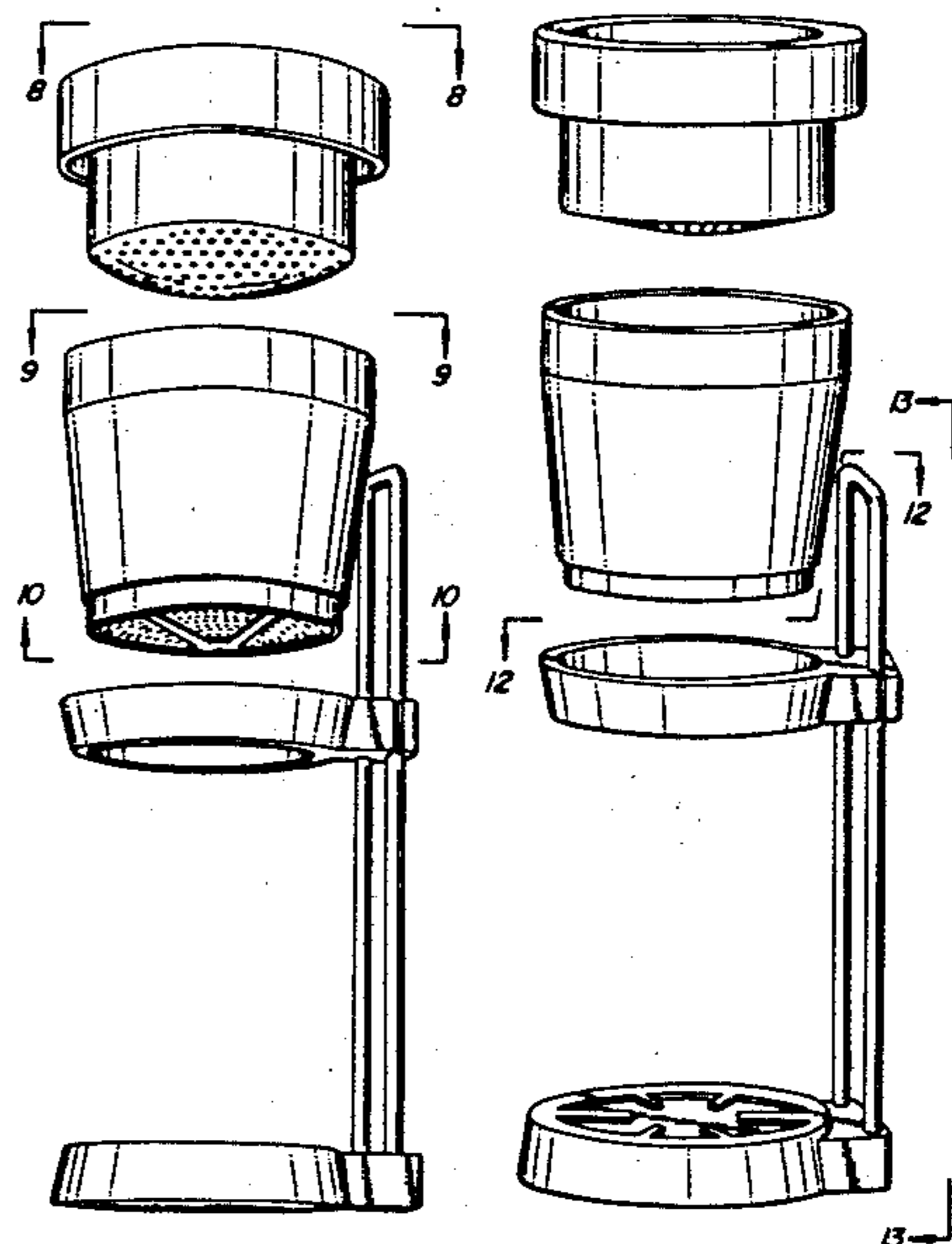
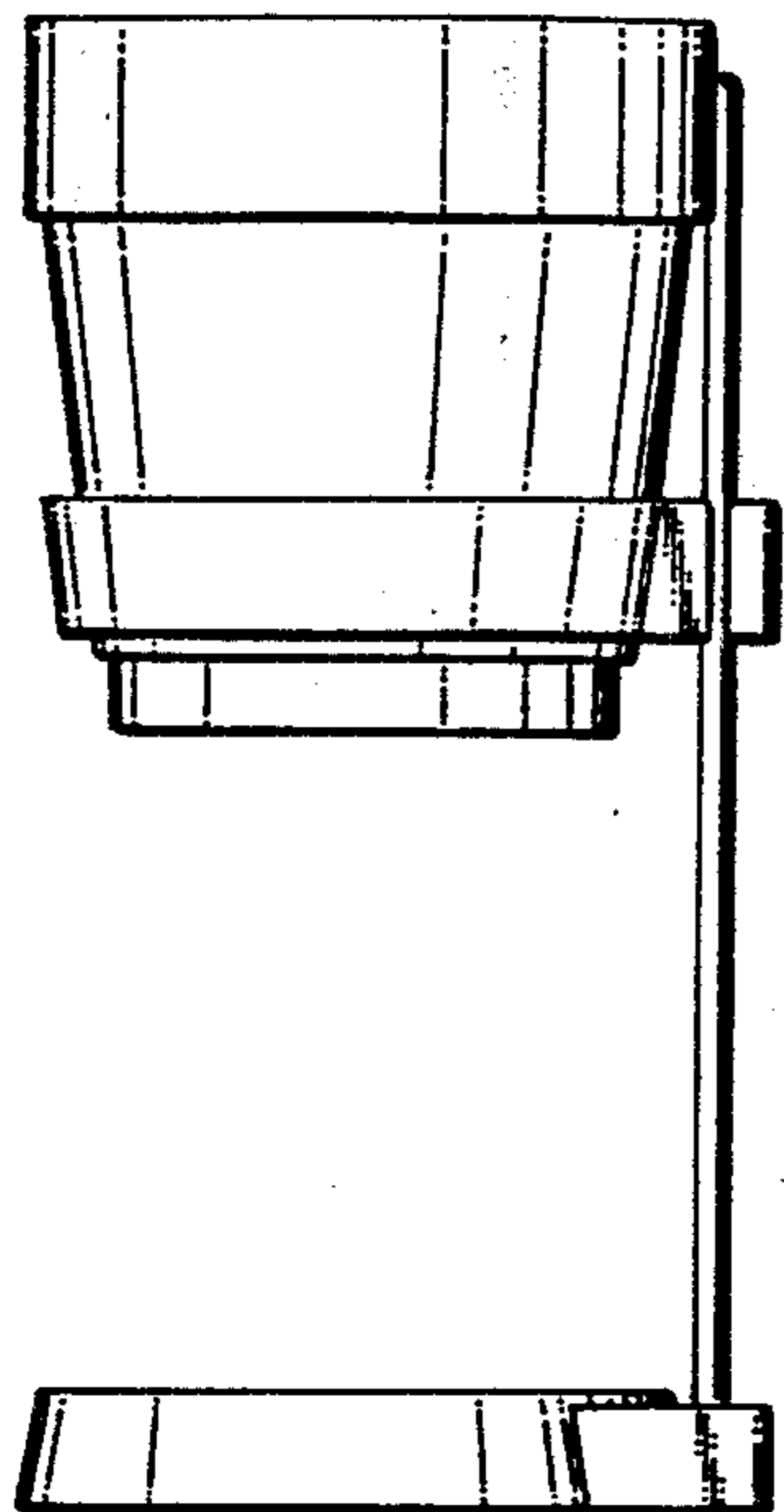
Primary Examiner—Winifred E. Herrmann  
Attorney, Agent, or Firm—Townsend and Townsend

[57] **CLAIM**

The ornamental design for a combined coffee making filter and drip stand, as shown and described herein.

**DESCRIPTION**

FIG. 1 is a front elevational view of a combined coffee making filter and drip stand, showing my new design; FIG. 2 is a right side elevational view thereof, the left side elevational view being a mirror image; FIG. 3 is a rear elevational view thereof; FIG. 4 is a top plan view thereof; FIG. 5 is a bottom plan view thereof; FIG. 6 is an exploded bottom and right side perspective view thereof; FIG. 7 is an exploded top and right side perspective view thereof; FIG. 8 is a top plan view, taken on line 8—8 of FIG. 6 of the uppermost insert thereof; FIG. 9 is a top plan view, taken on line 9—9 of FIG. 6 of the filter element thereof; FIG. 10 is a bottom plan view, taken on line 10—10 of FIG. 6 of the filter element thereof; FIG. 11 is a view similar to FIG. 9 illustrating another embodiment thereof; FIG. 12 is a top plan view, taken on line 12—12 of FIG. 7 of the stand thereof; and FIG. 13 is a rear elevational view, taken on line 13—13 of FIG. 7 of the stand thereof.



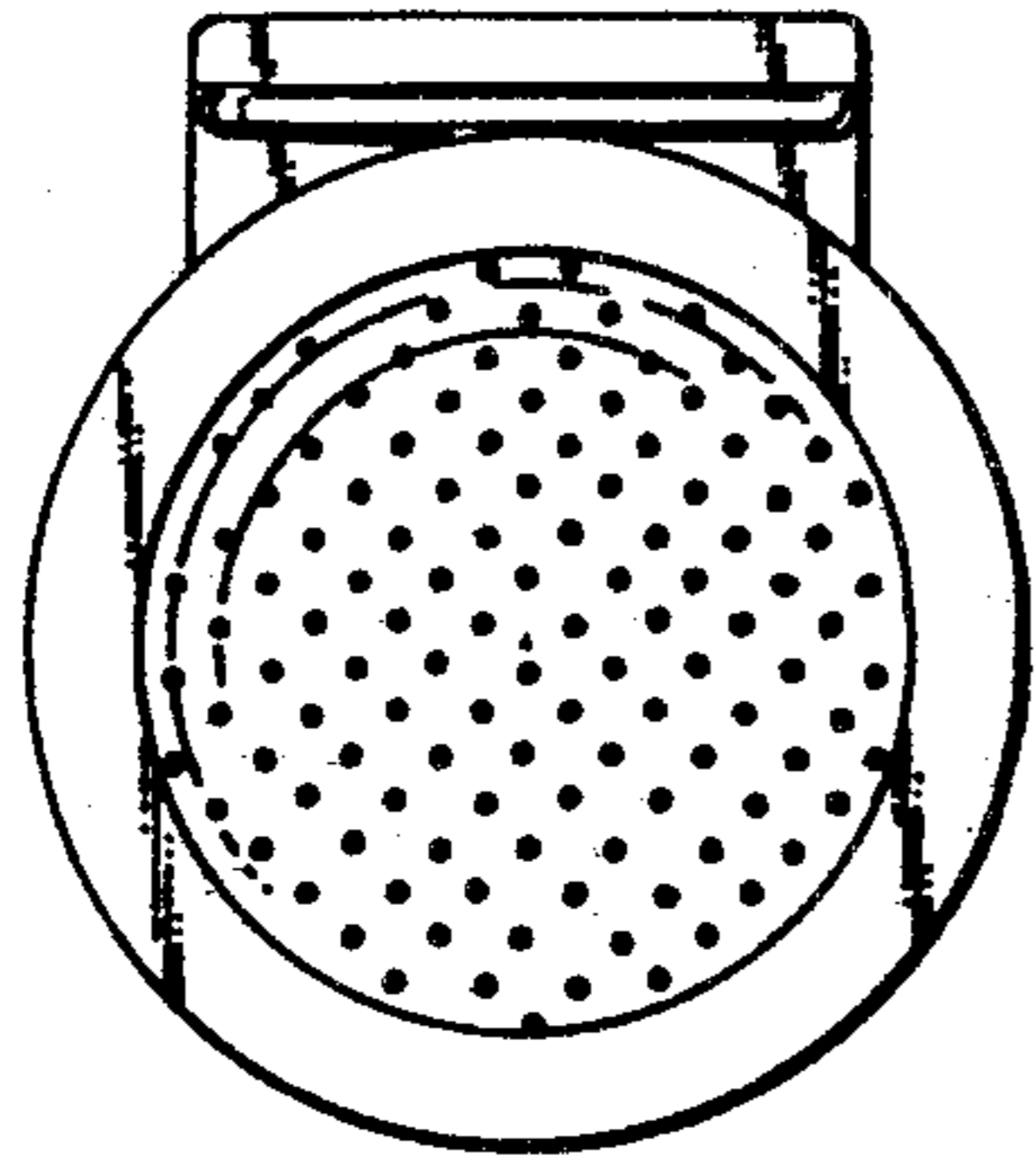


FIG. 4.

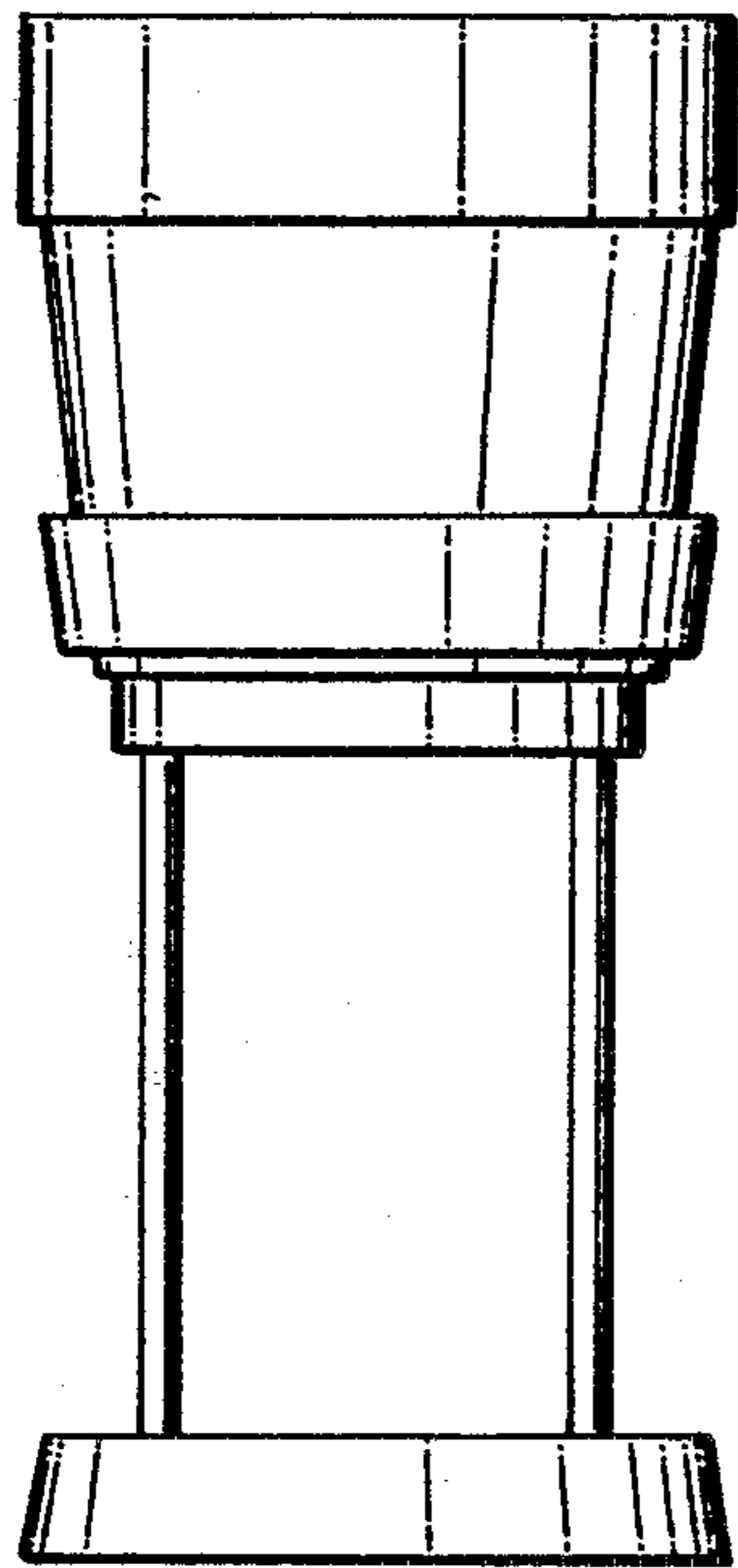


FIG. 1.

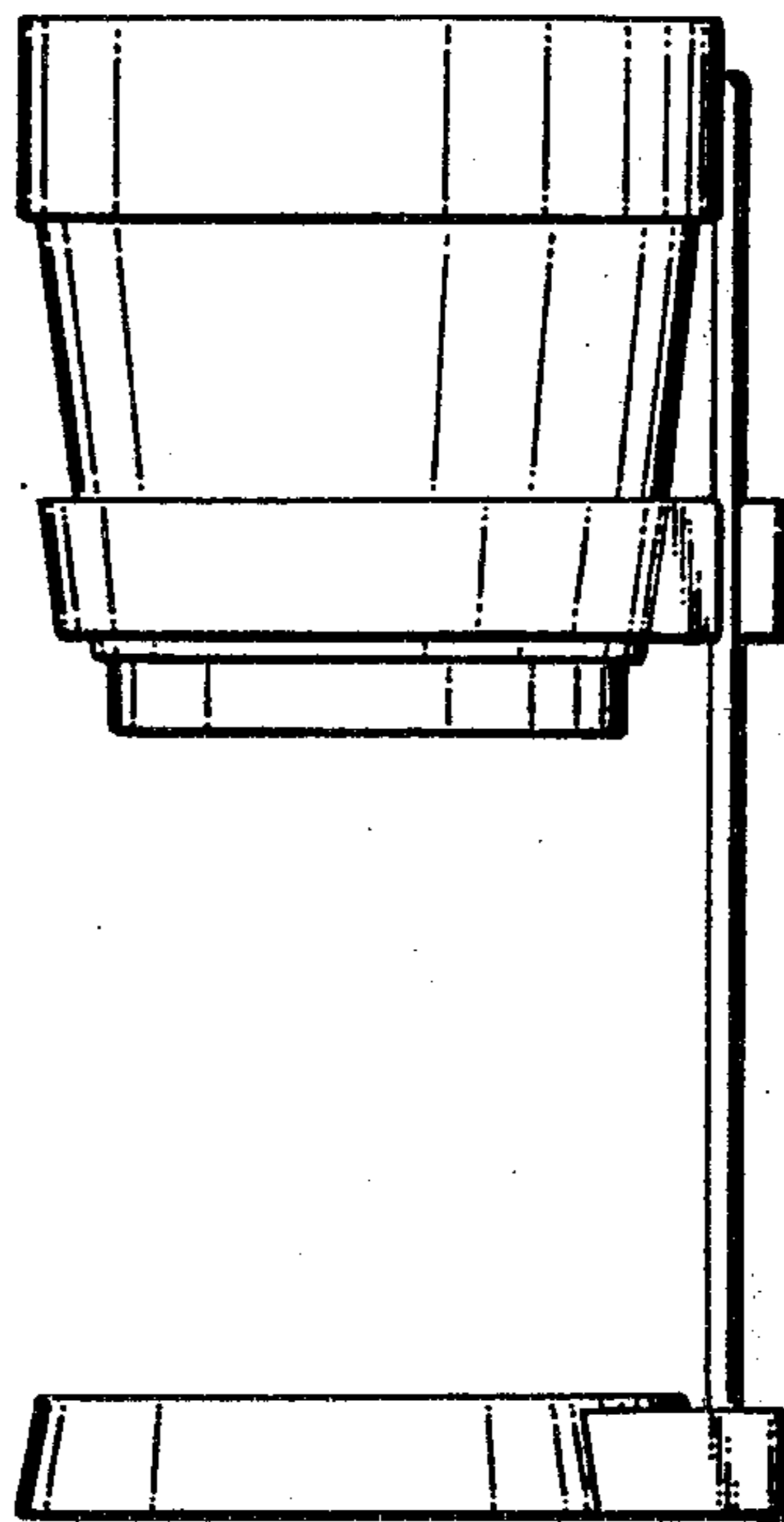


FIG. 2.

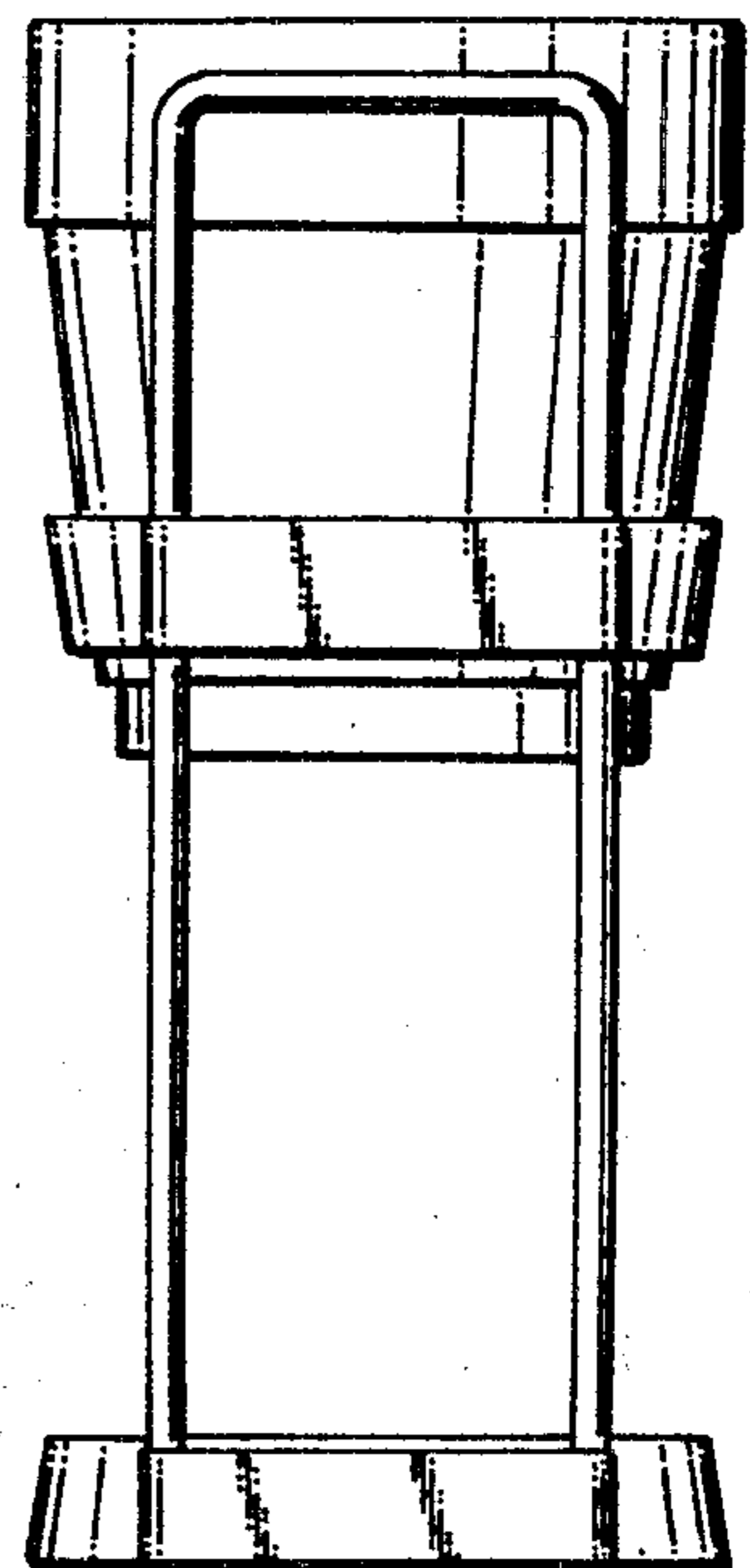


FIG. 3.

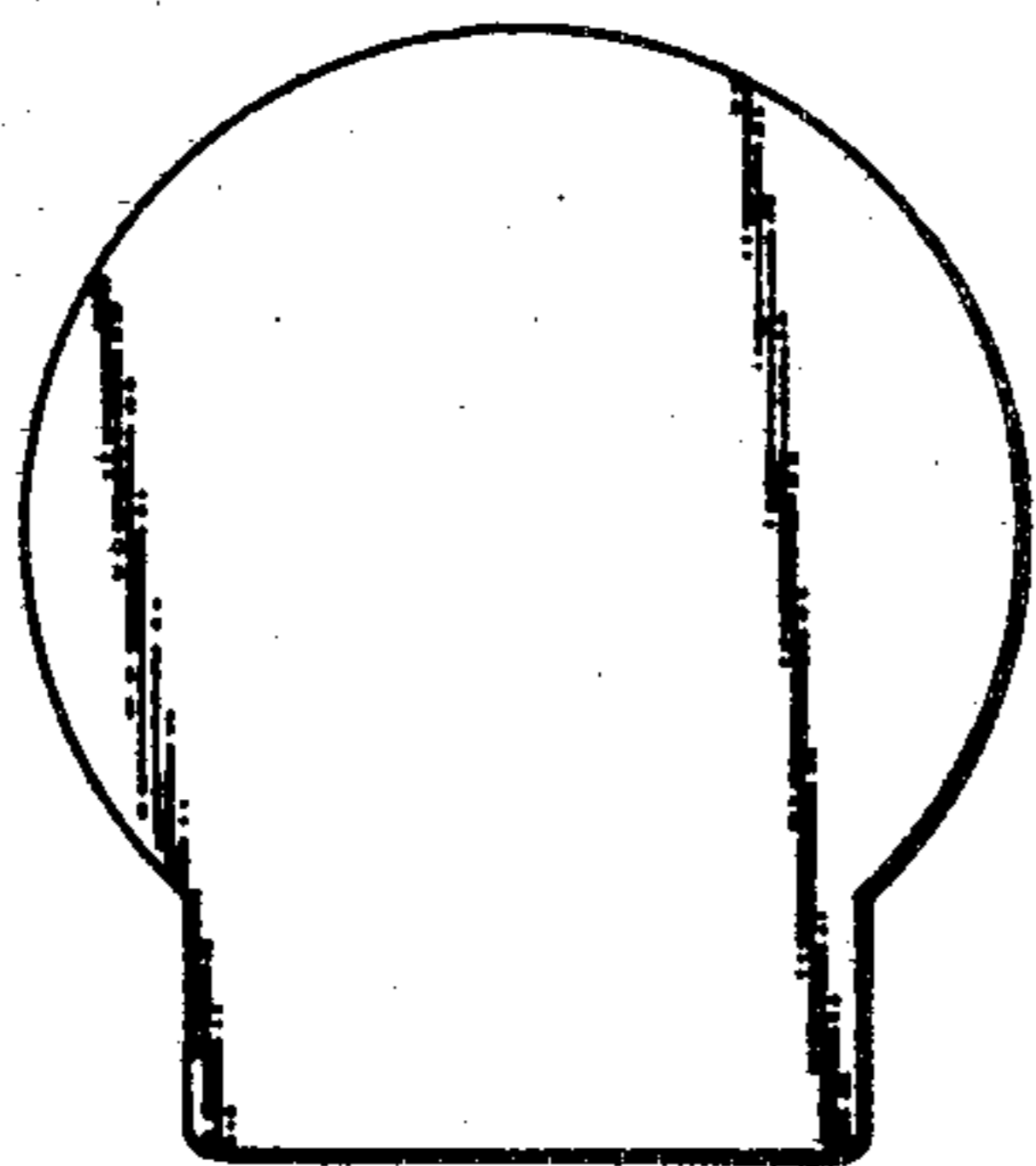


FIG. 5.

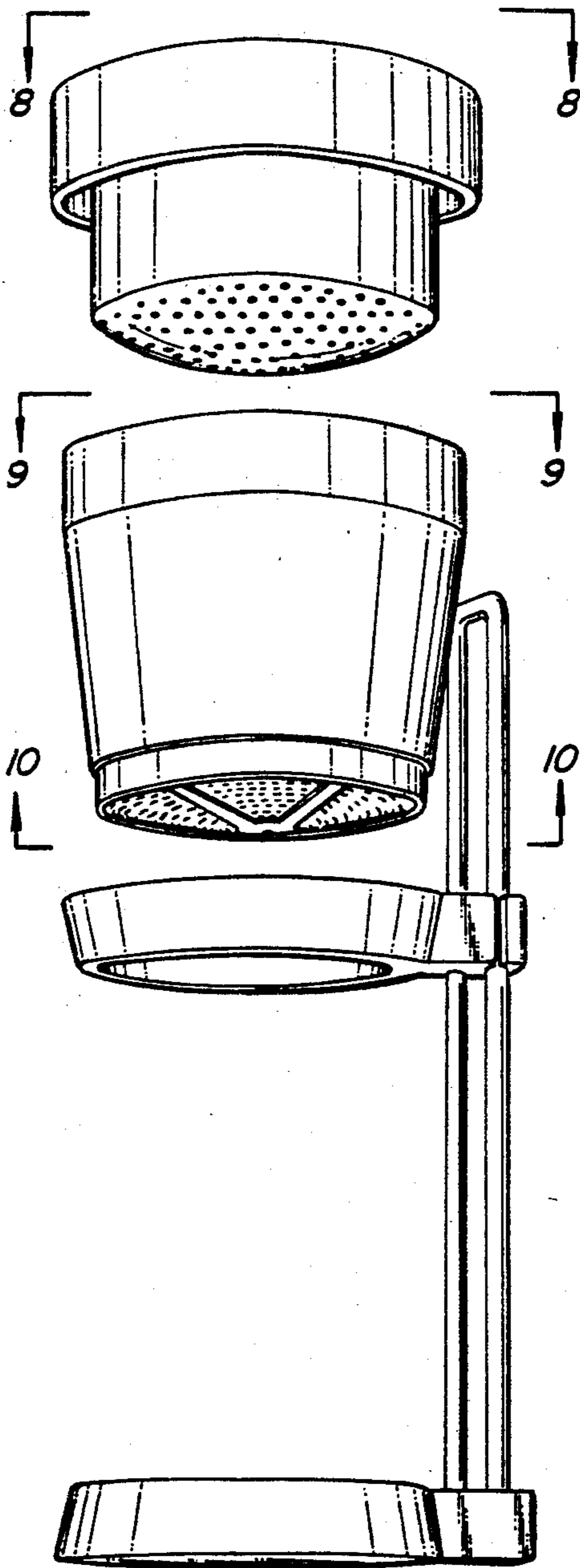


FIG. 6.

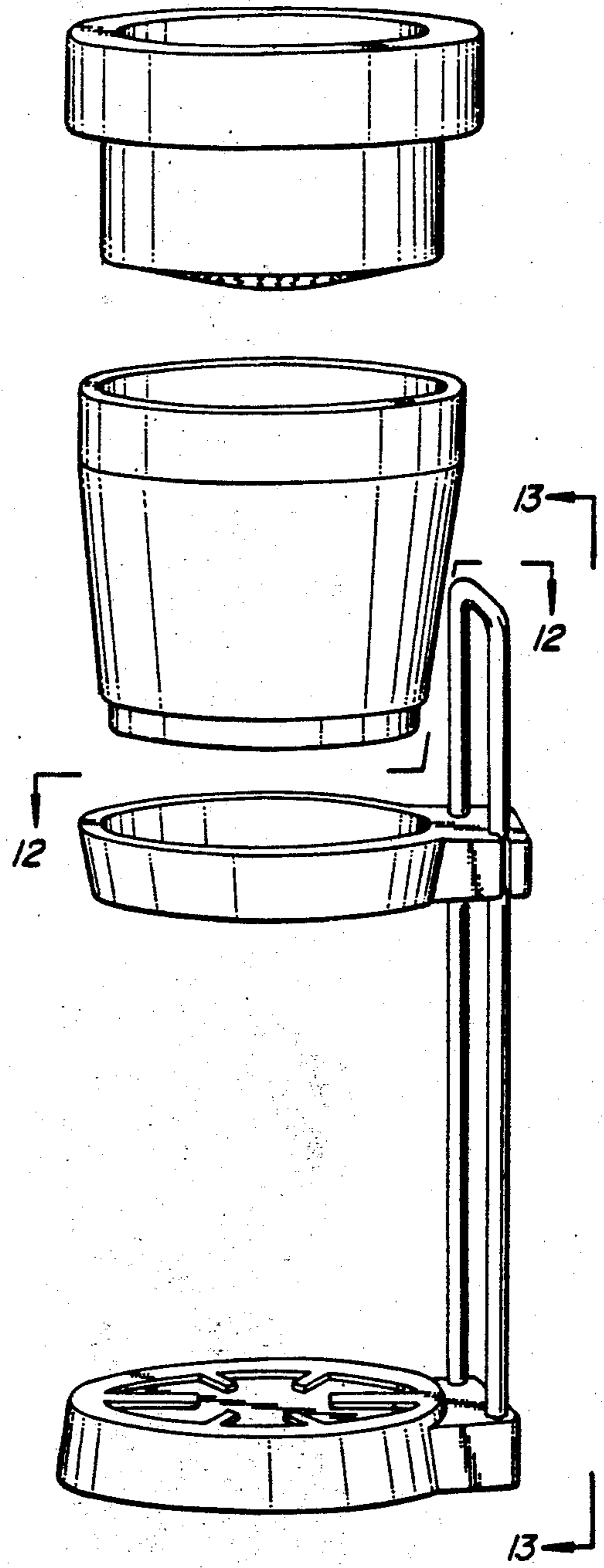


FIG. 7.

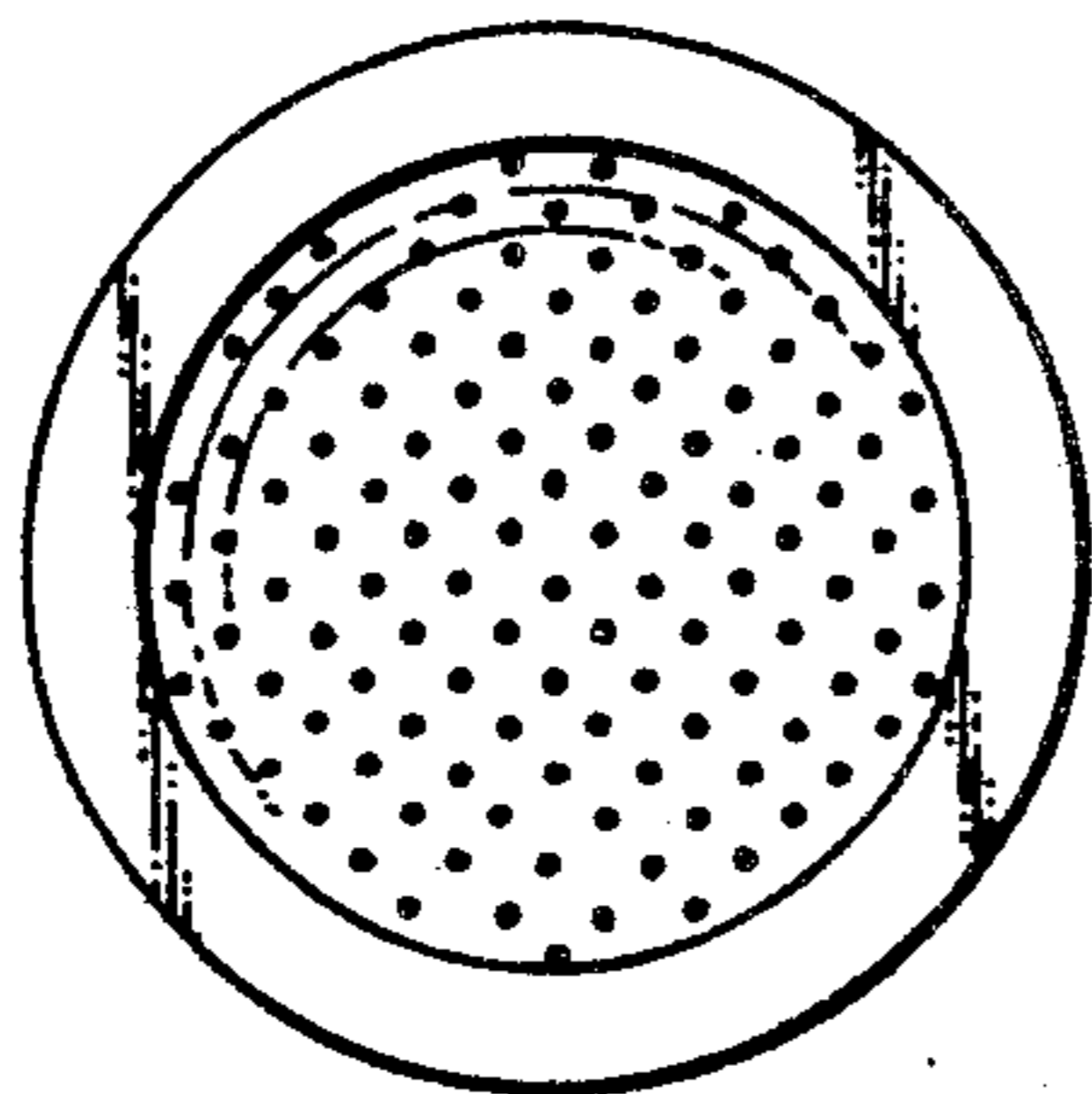


FIG. 8.

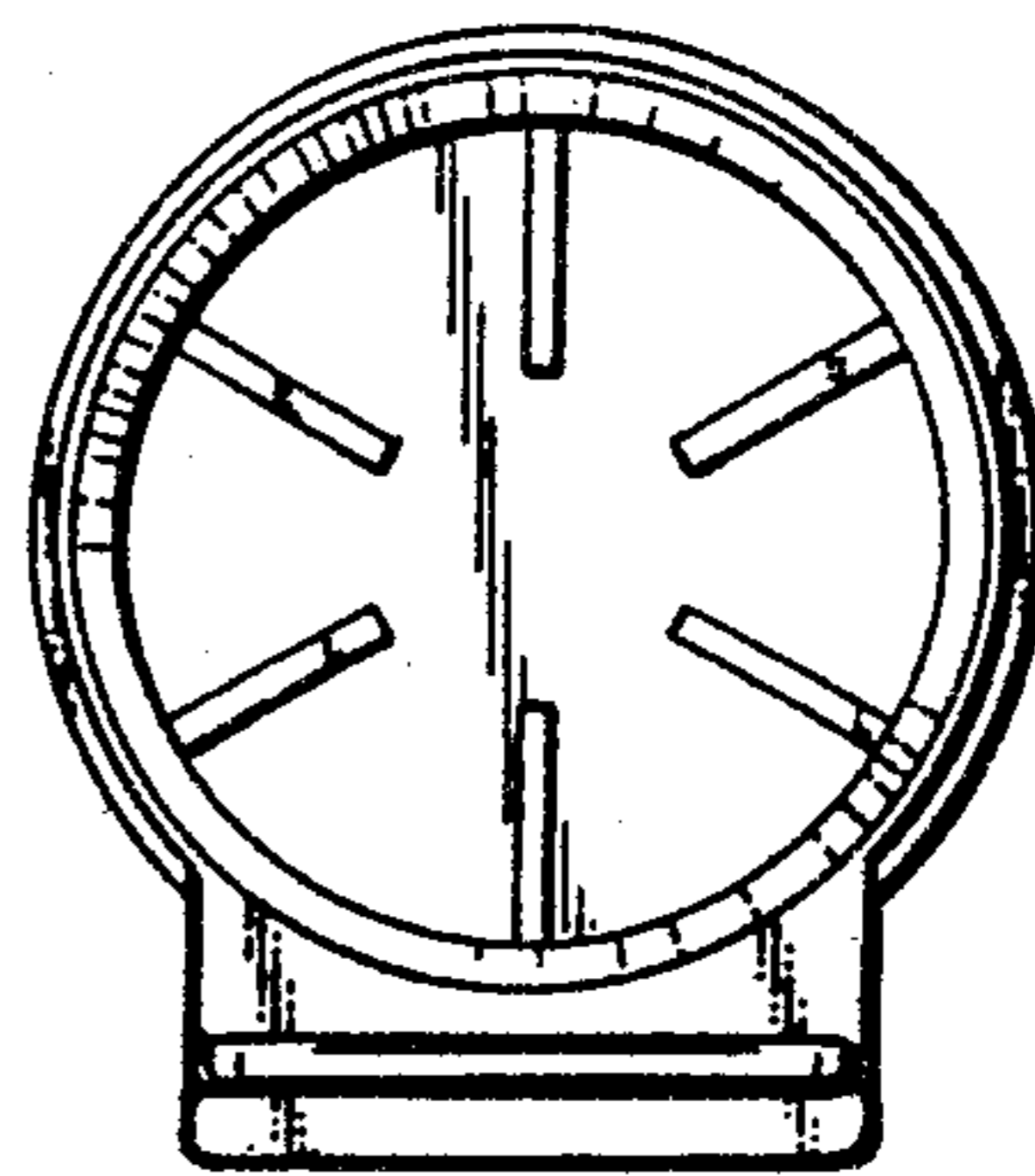


FIG. 12.

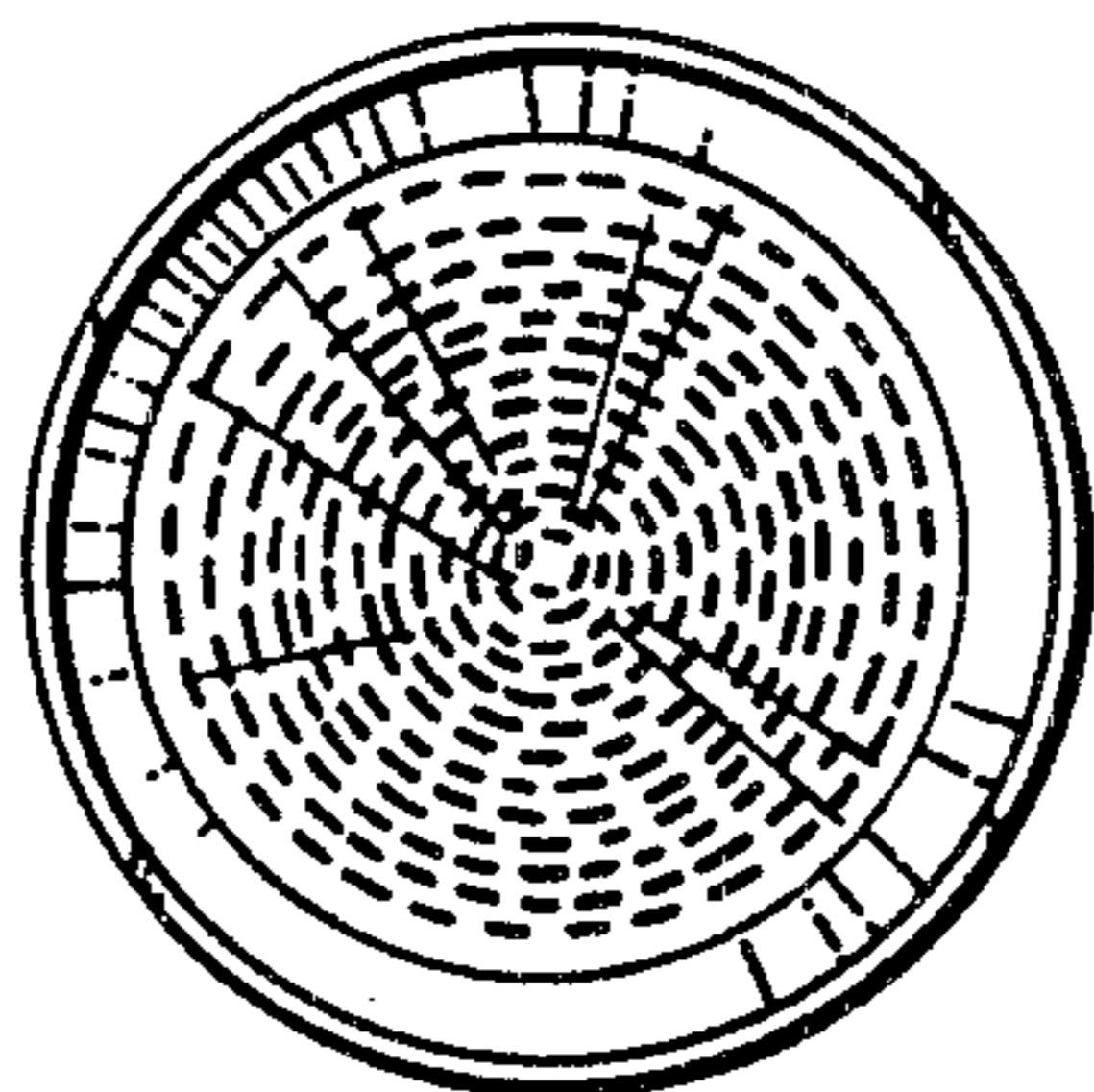


FIG. 9.

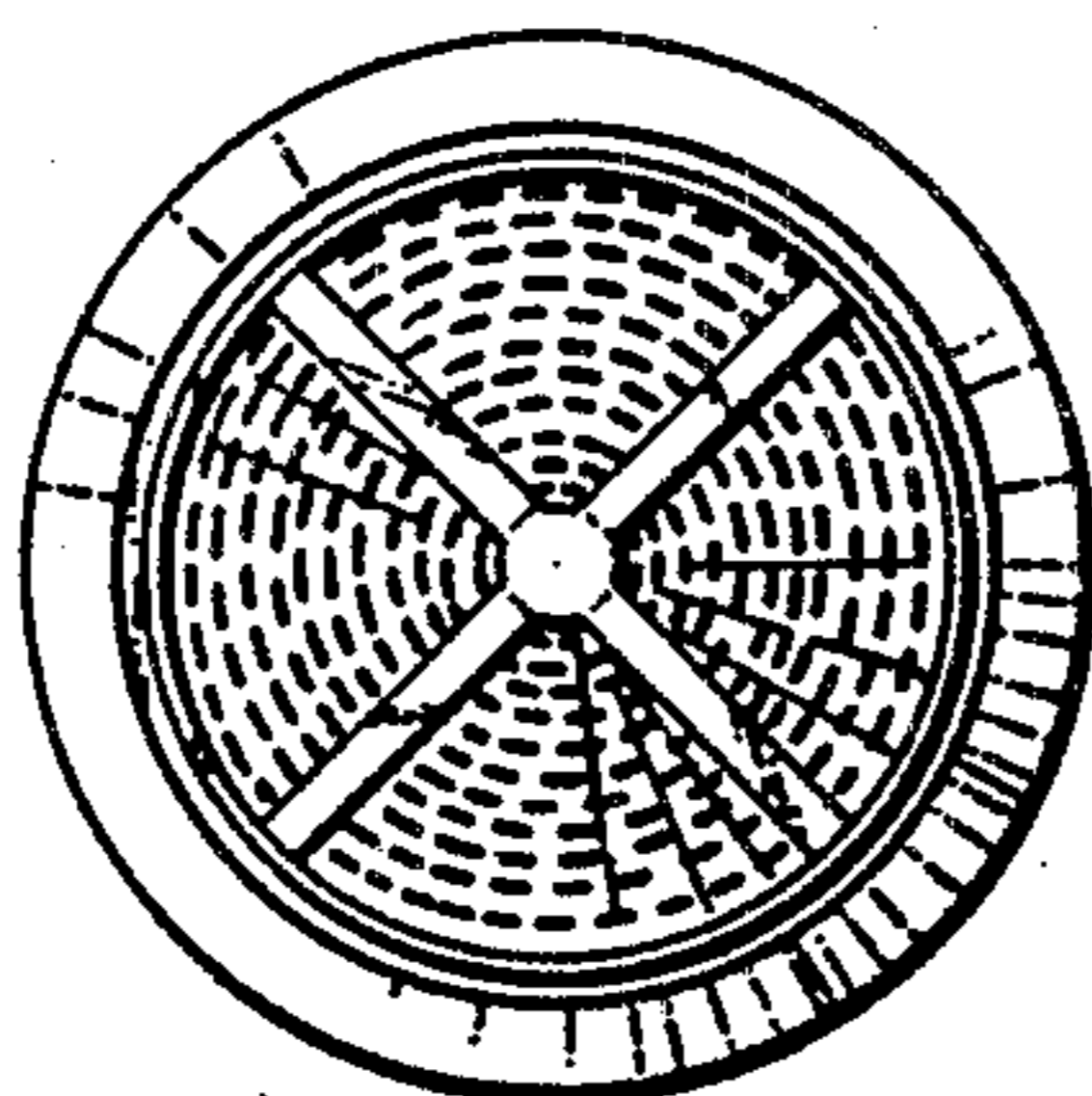


FIG. 10.

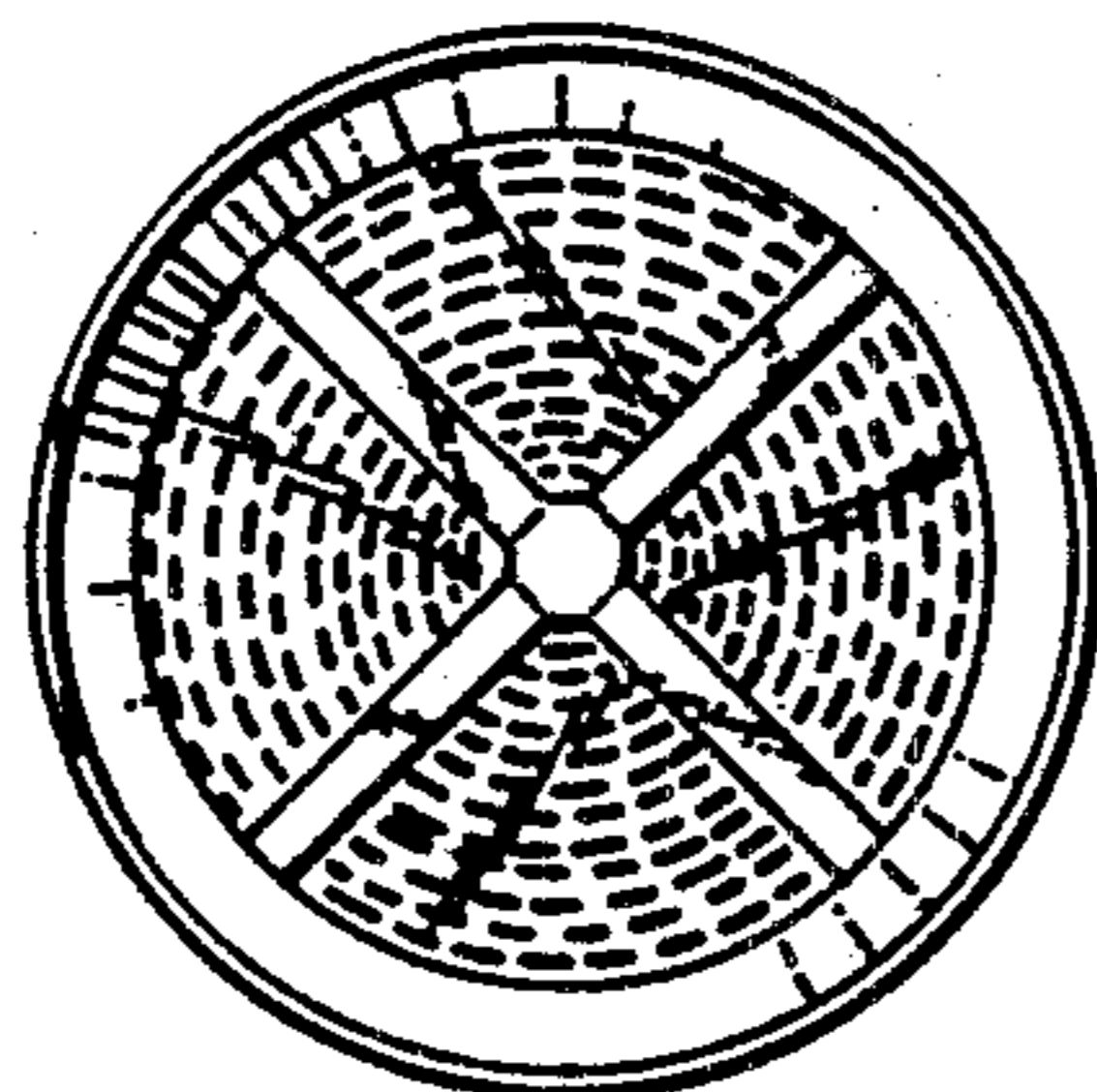


FIG. 11.

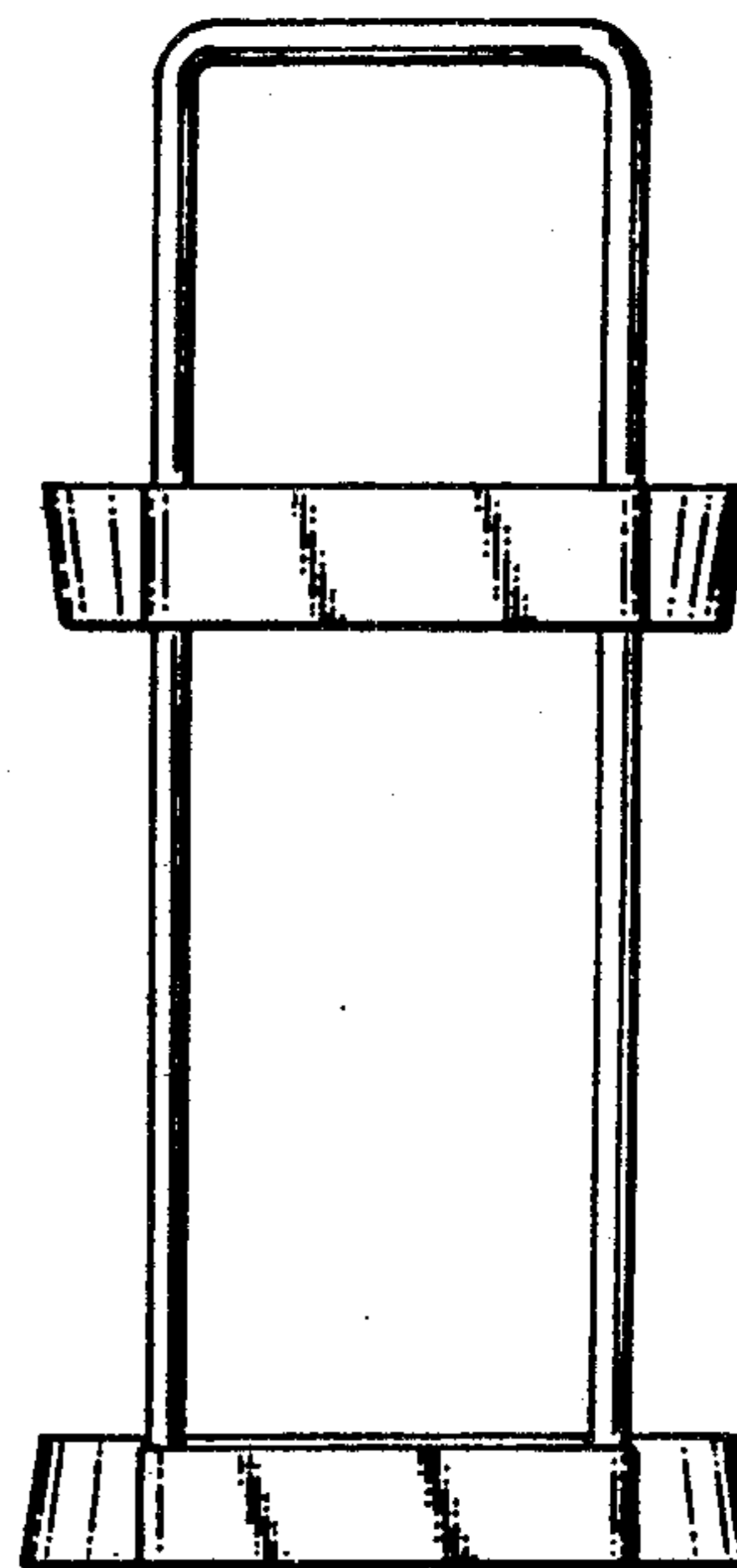


FIG. 13.