

[54] MEAT PROBE HOLDER

[76] Inventor: Richard Lemay, 919 Raftsman Lane, Orleans, Ontario, Canada, K1C 2Z3

[\*\*] Term: 14 Years

[21] Appl. No.: 865,616

[22] Filed: May 21, 1986

[52] U.S. Cl. .... D7/387; D6/553

[58] Field of Search ..... D7/387; D6/553, 534; D19/81, 84, 85; D21/108; 211/60.1, 69, 69.1, 70.3, 70.6, 70.8; 248/512

[56] References Cited

U.S. PATENT DOCUMENTS

D. 38,049	6/1906	Weeks	.....	D19/85	X
D. 175,392	8/1955	Clanton	.....	D21/108	X
D. 190,842	7/1961	Doman	.....	D19/85	X
D. 224,455	7/1972	Oberton	.....	D19/85	X
1,216,840	2/1917	Hyatt	.....	D21/108	X
2,132,647	10/1938	Robins	.....	D21/108	X
2,214,869	9/1940	West	.....	45/28	
2,371,433	4/1945	Davis	.....	211/60	
2,539,276	1/1951	Schmeling	.....	211/60	

2,637,299	5/1953	Salkey	.....	211/69	X
3,603,551	9/1971	Peterson	.....	211/60	
3,792,775	2/1974	Riddle et al.	.....	211/70.8	
4,345,688	8/1982	Boer	.....	211/60	
4,497,412	2/1985	Labelle	.....	211/60	
4,593,877	6/1986	van der Wyk	.....	248/512	

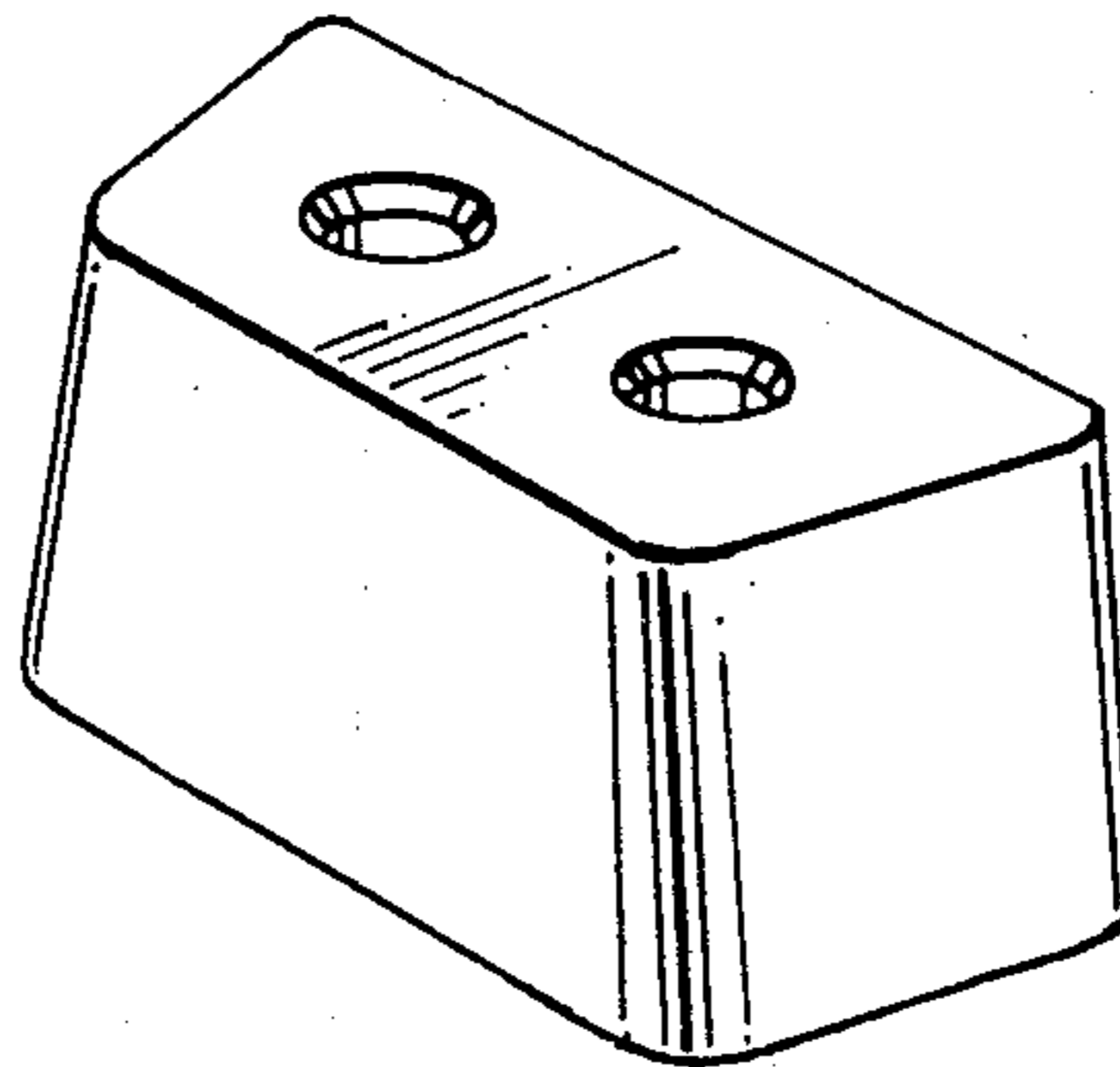
Primary Examiner—Bernard Ansher  
Assistant Examiner—Linda Titolo  
Attorney, Agent, or Firm—Burke-Robertson, Chadwick & Ritchie

[57] CLAIM

The ornamental design for a meat probe holder, as shown and described.

DESCRIPTION

FIG. 1 is a perspective view of a meat probe holder, showing my new design;  
FIG. 2 is a front elevational view thereof;  
FIG. 3 is a rear elevational view thereof;  
FIG. 4 is a top plan view thereof;  
FIG. 5 is a left side elevational view thereof;  
FIG. 6 is a right side elevational view thereof; and  
FIG. 7 is a bottom plan view thereof.



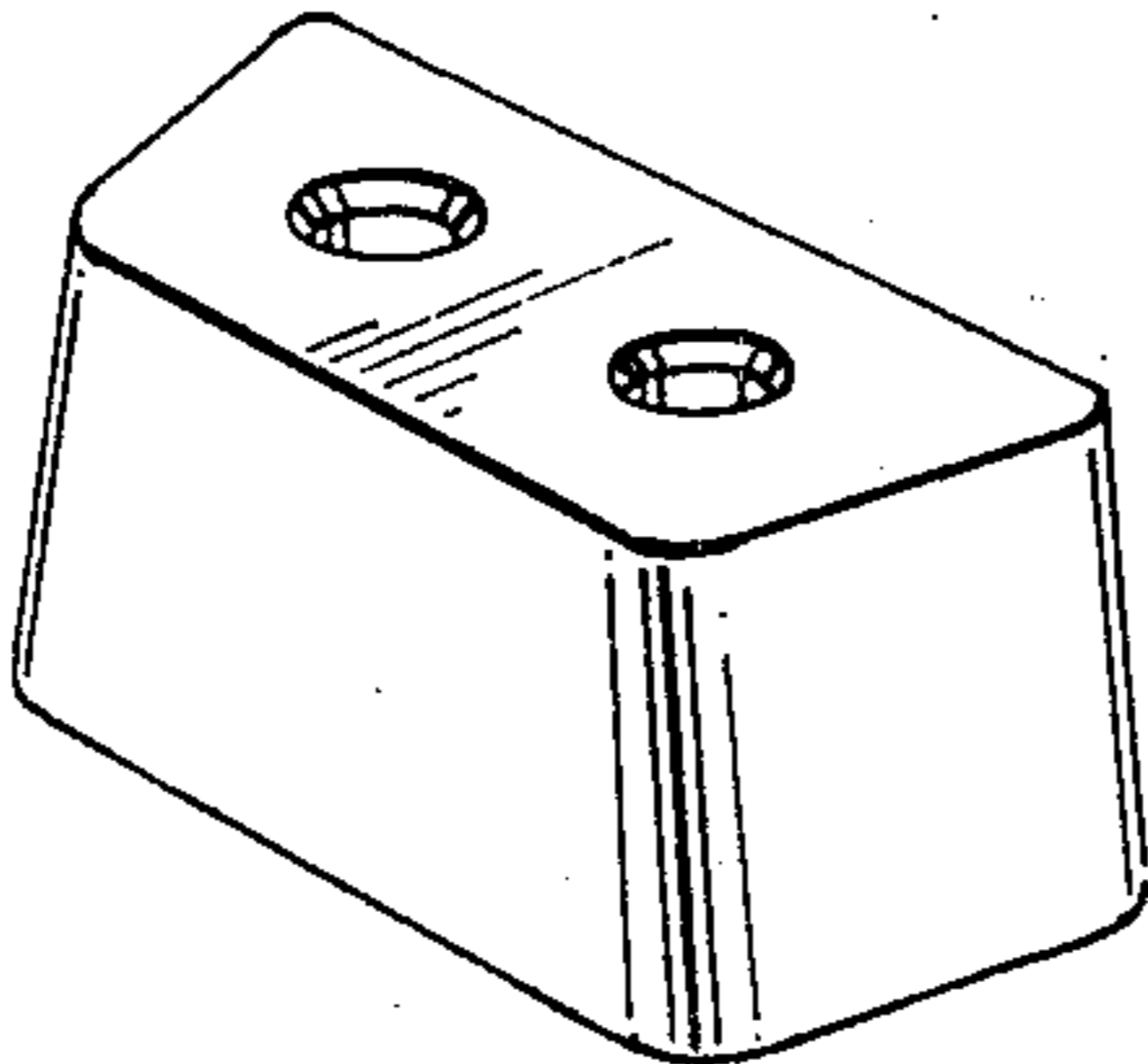


FIG. 1

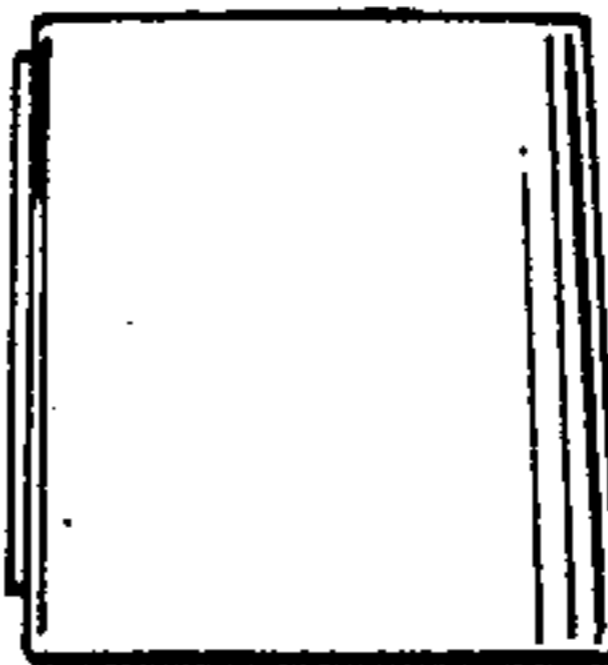


FIG. 5

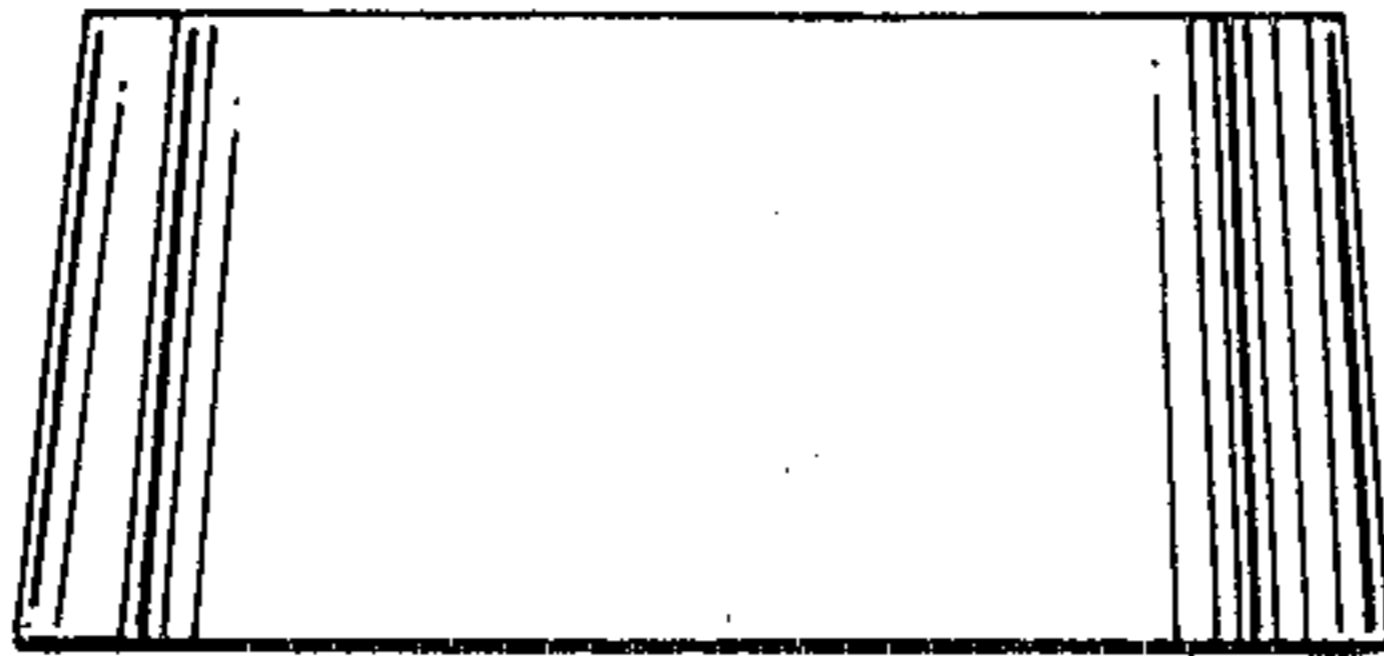


FIG. 2

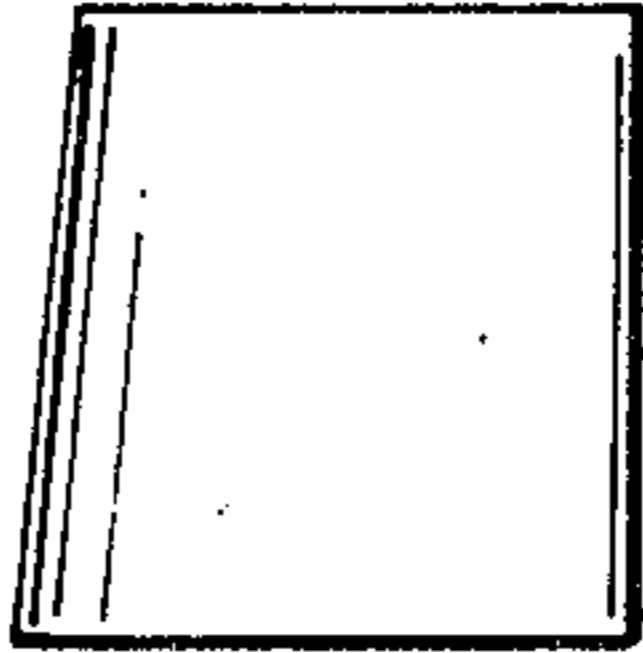


FIG. 6

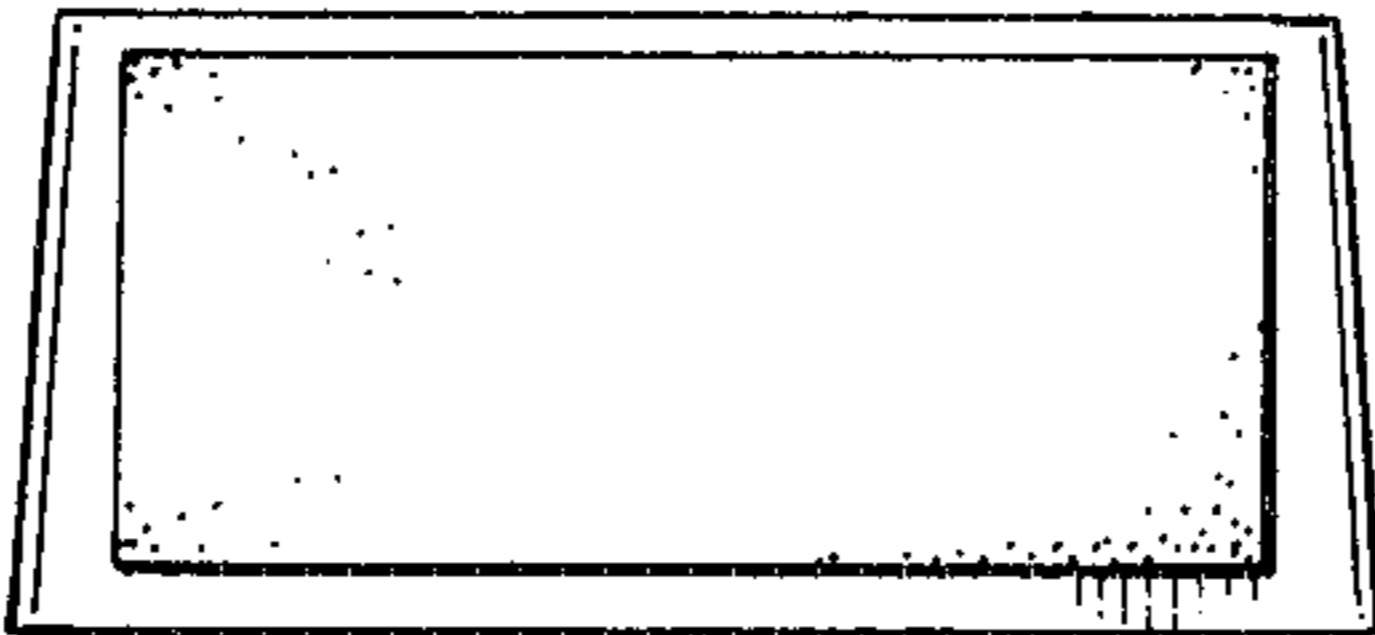


FIG. 3

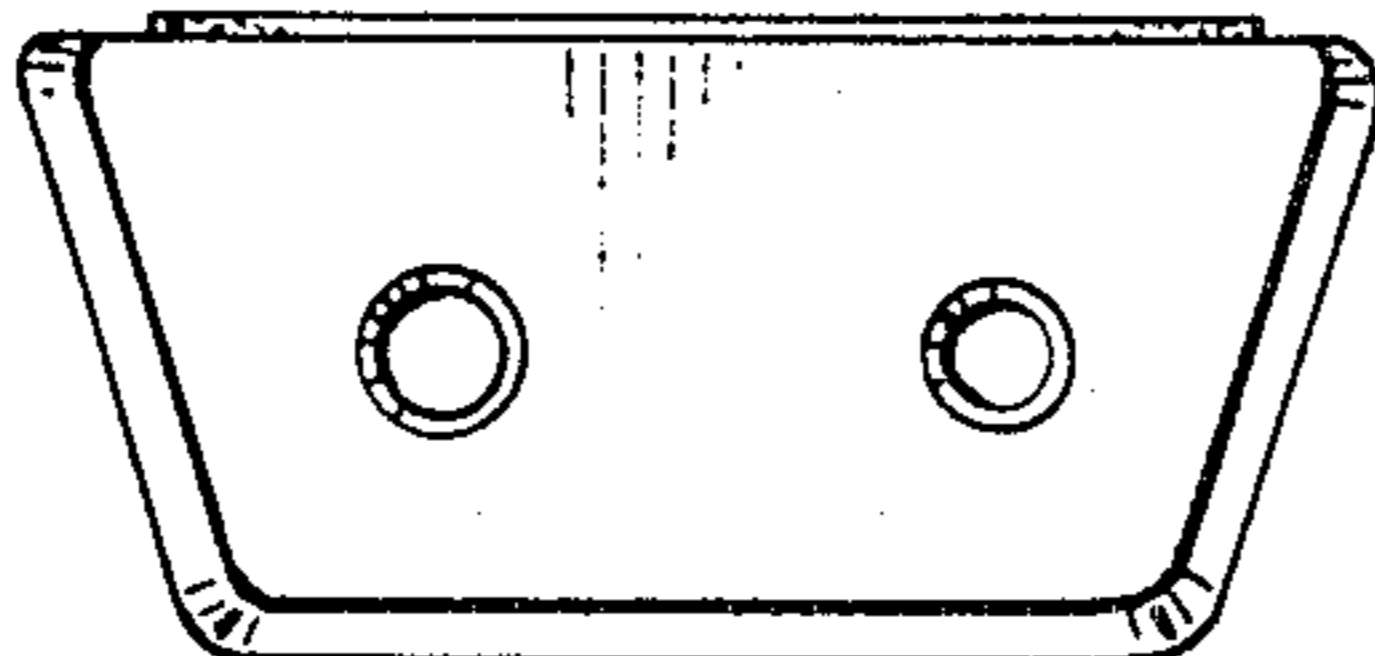


FIG. 4

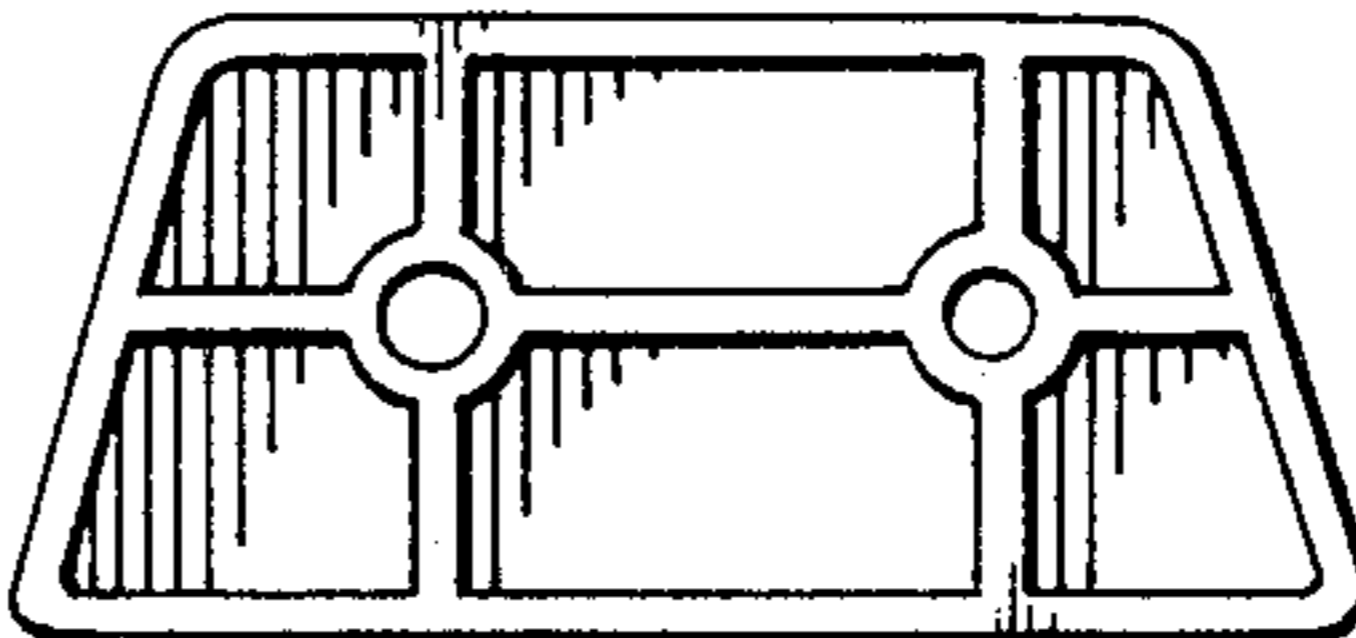


FIG. 7