

[54] WINE RACK

[76] Inventor: Edward J. Boland, II, P.O. Box 1187, Livermore, Calif. 94550

[\*\*] Term: 14 Years

[21] Appl. No.: 627,841

[22] Filed: Jul. 5, 1984

[52] U.S. Cl. .... D6/465

[58] Field of Search ..... D6/449, 462, 465, 466, D6/467, 474, 477, 479; D7/71; 211/74

[56] References Cited

U.S. PATENT DOCUMENTS

D. 182,395	4/1958	Ahlenius	.....	D6/469 X
D. 273,450	4/1984	Williams	.....	D6/469
D. 278,110	3/1985	Boland, II	.....	D6/465
4,093,076	6/1978	Newton	.....	211/74

FOREIGN PATENT DOCUMENTS

1490656	8/1967	France	.....	D7/71 X
8633	of 1907	United Kingdom	.....	211/74

OTHER PUBLICATIONS

*Housewares Review*, Jan. 1969, p. 50; Modular Wine Rack, bottom left on page.

*Gifts and Decorative Accessories*, Feb. 1976, p. 182; Teakwood Wine Rack by Caramoor Products, Inc., top of page.

*Bloomington's Home/Living cat.*, vol. II, Wine Rack Stack item #13T-678, bottom center of page. *W. Bell & Co.* 1977, p. 209; "Pine Wine Rack", item #K, bottom left on page.

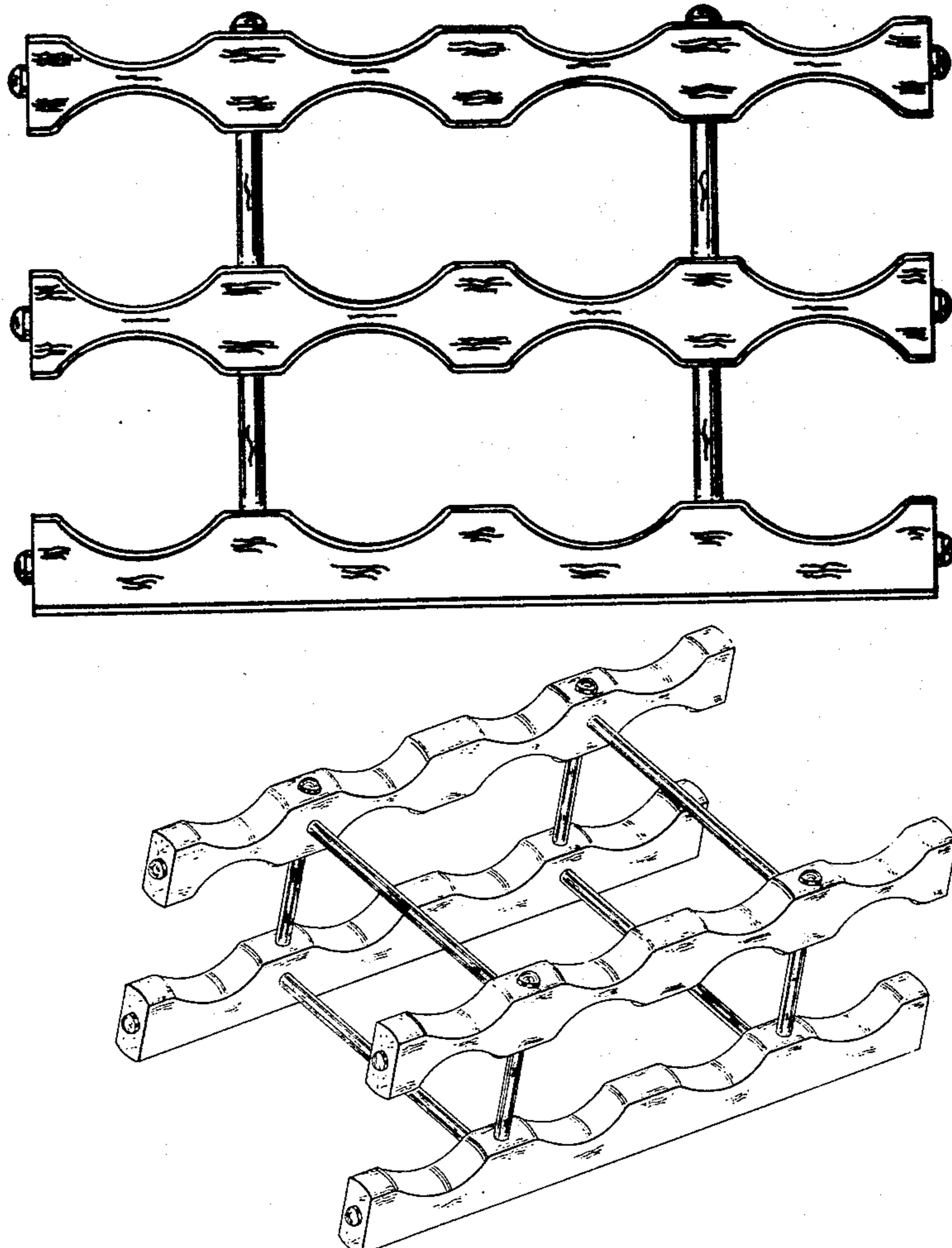
Primary Examiner—Carmen H. Vales  
Attorney, Agent, or Firm—James R. Cypher

[57] CLAIM

The ornamental design for a wine rack, substantially as shown and described.

DESCRIPTION

FIG. 1 is a top perspective view of the wine rack showing my new design;  
 FIG. 2 is a top plan view thereof;  
 FIG. 3 is a front elevational view, the rear being identical thereto;  
 FIG. 4 is a right side elevational view, the left side being identical thereto;  
 FIG. 5 is a bottom plan view thereof;  
 FIG. 6 is a sectional view taken along line 6—6 of FIG. 2;  
 FIG. 7 is a sectional view taken along line 7—7 of FIG. 3; and  
 FIG. 8 is a front elevational view of a modified form of the wine rack shown in FIG. 1, the rear view being identical thereto; the sides not shown are identical to those of FIGS. 2, 4, and 5 with the addition of a third stackable element.



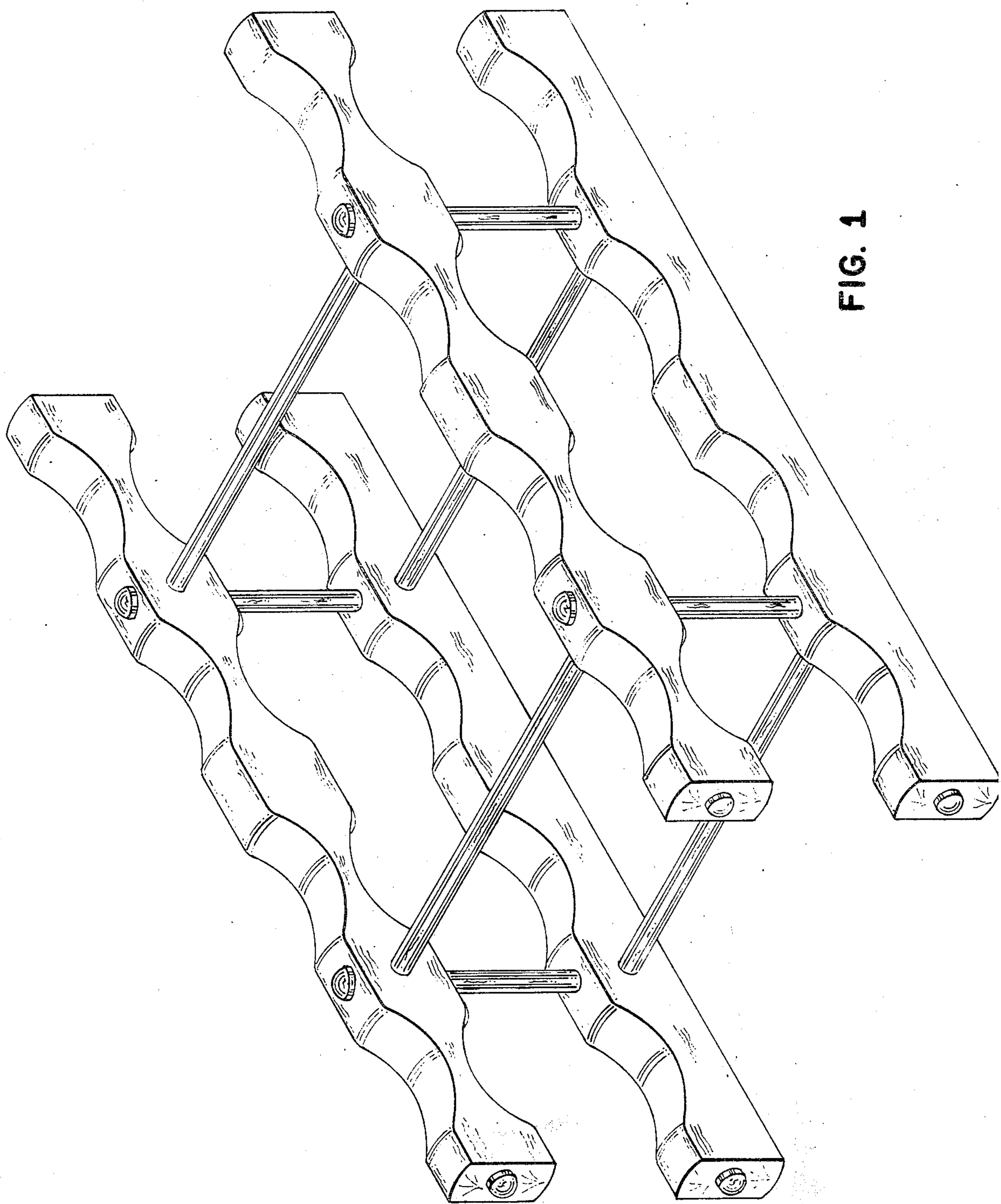


FIG. 1

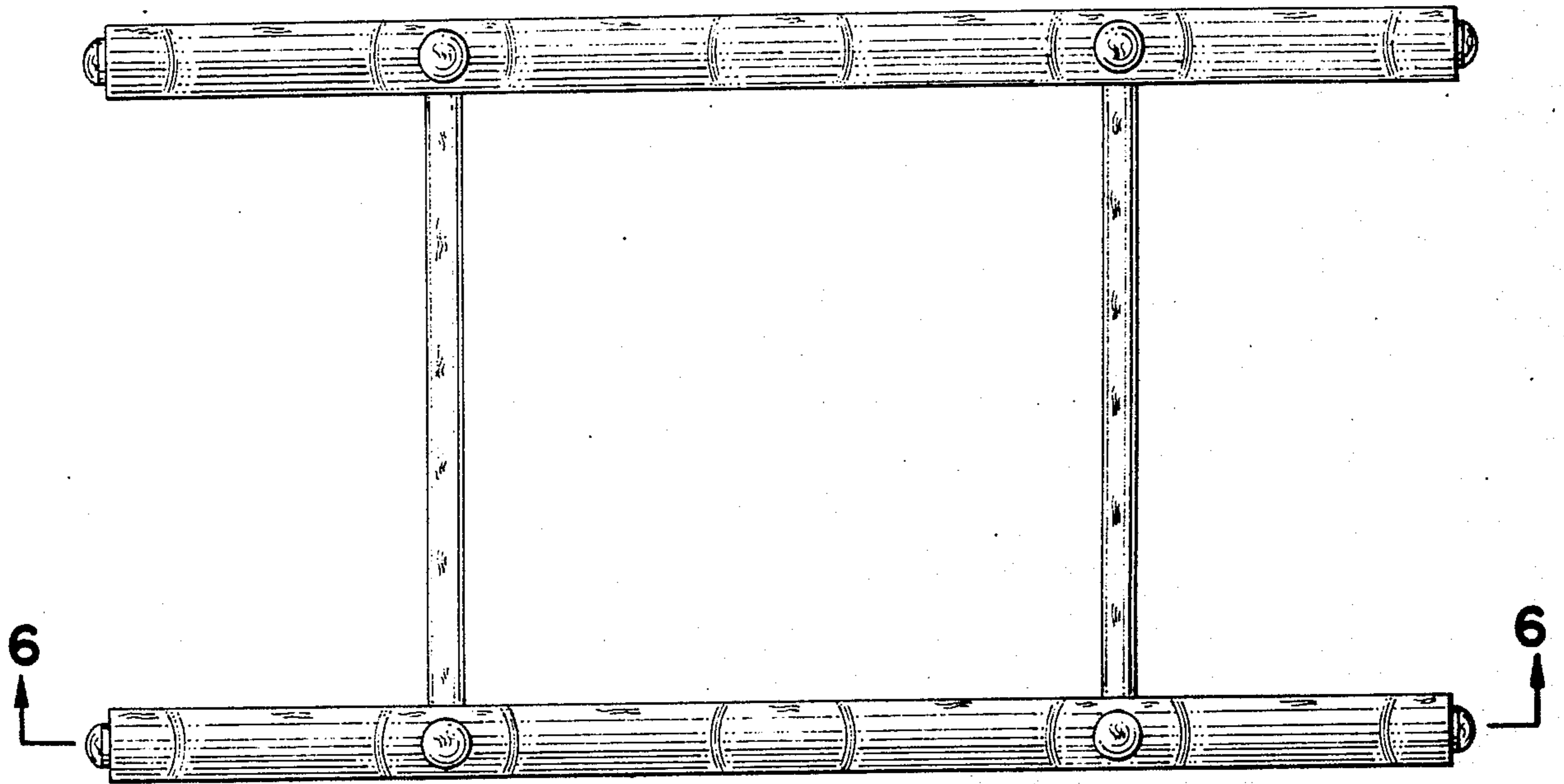


FIG. 2

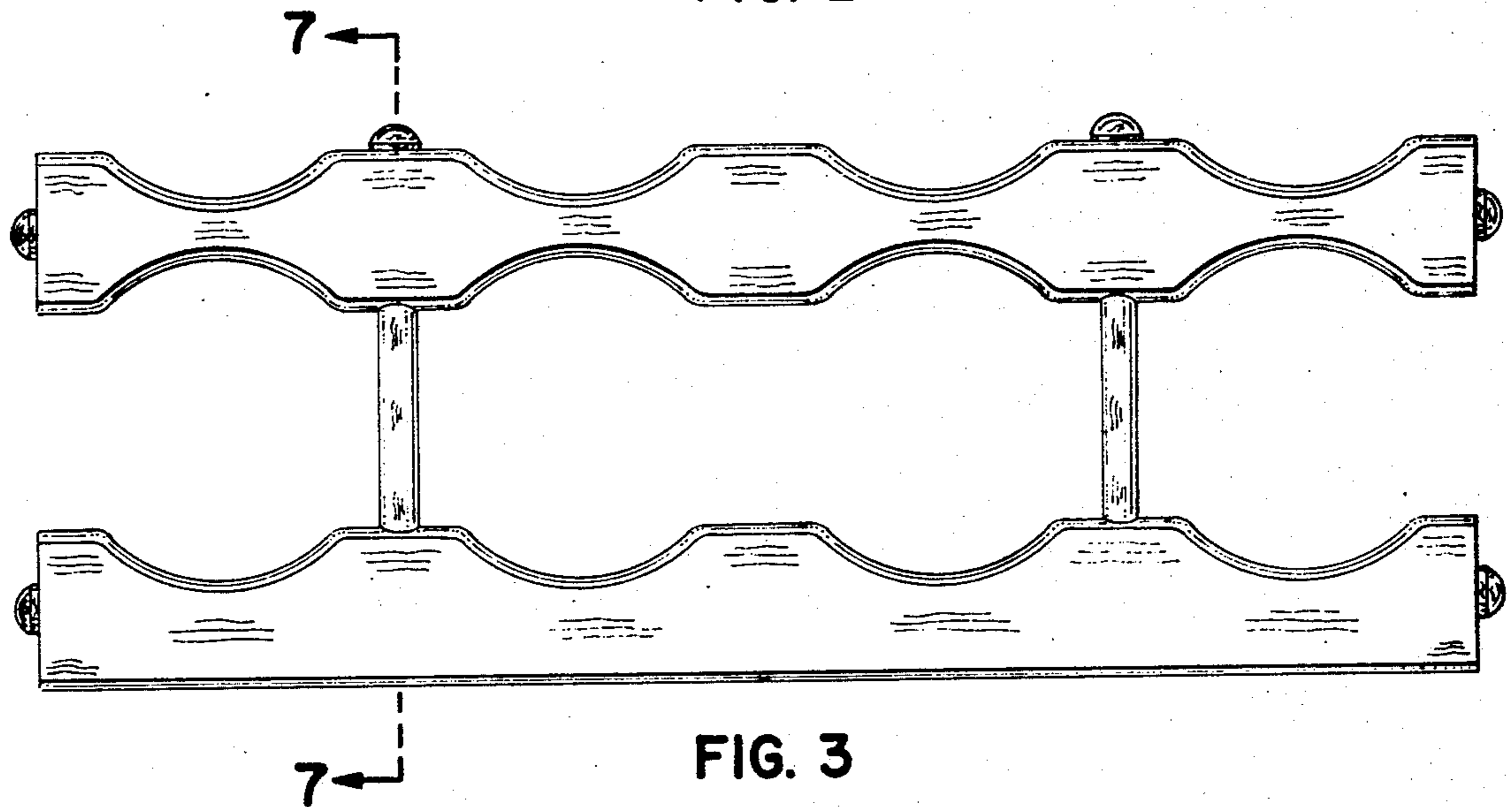


FIG. 3

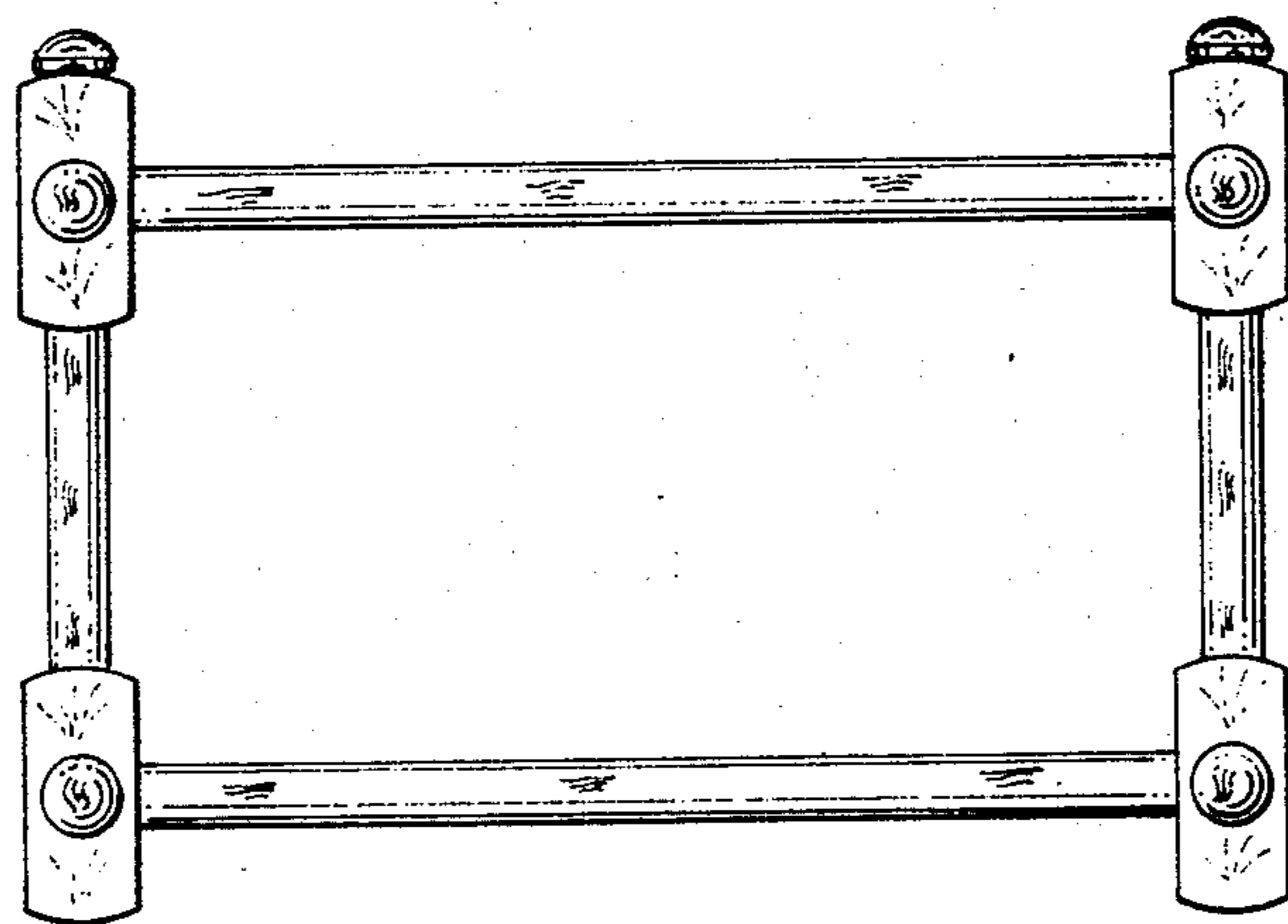


FIG. 4

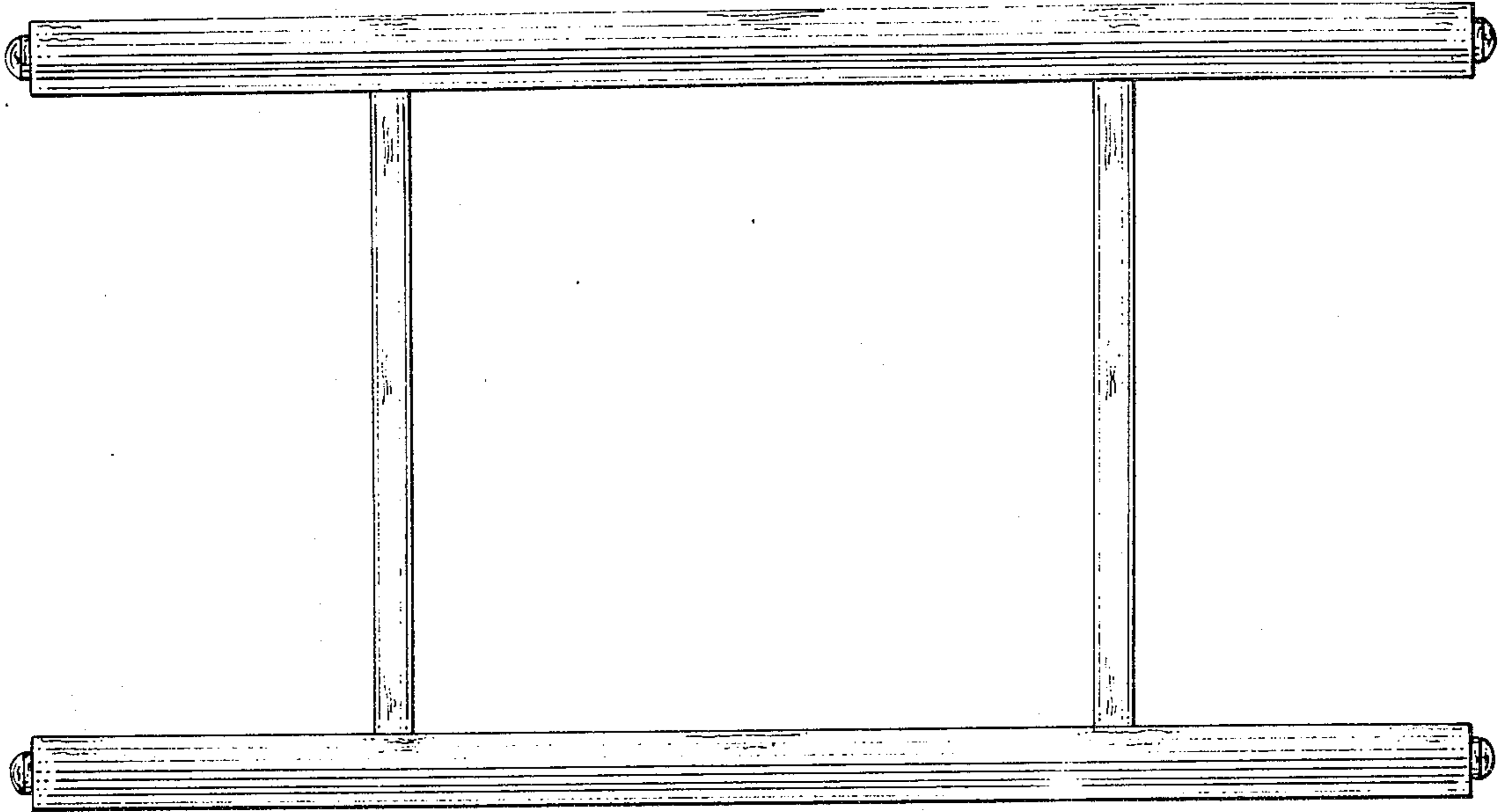


FIG. 5

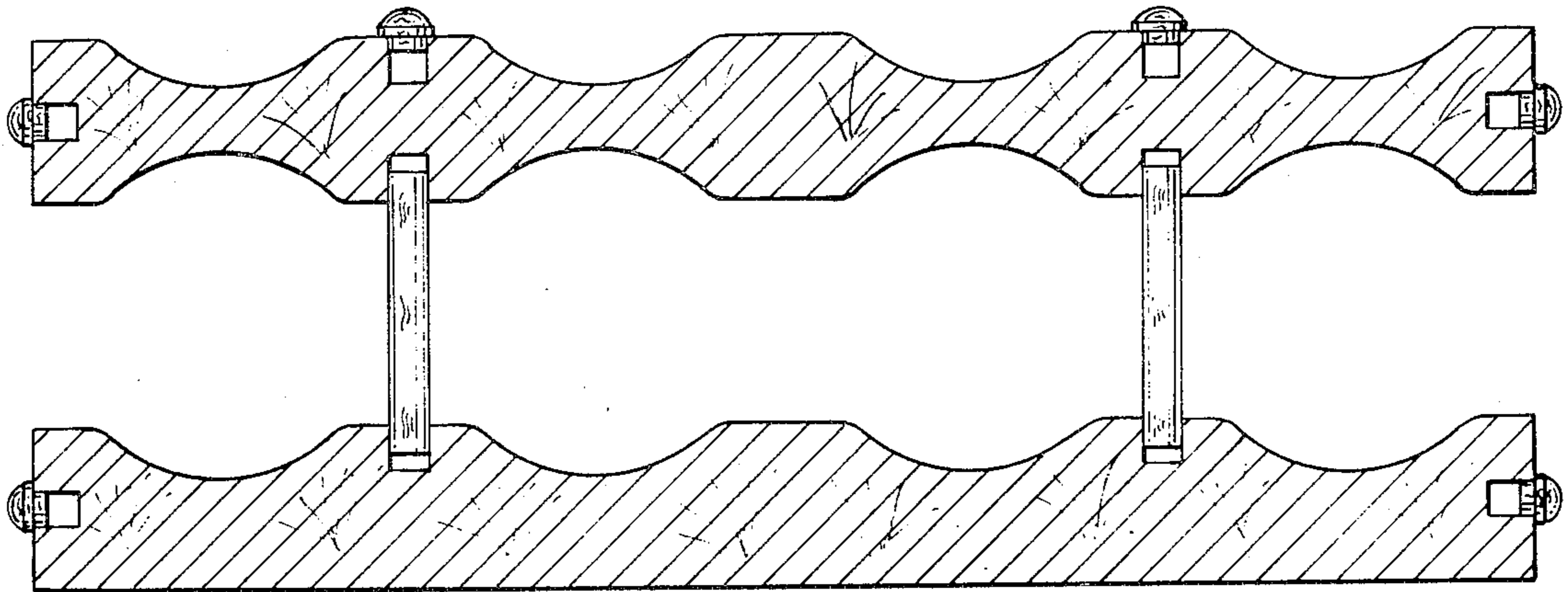


FIG. 6

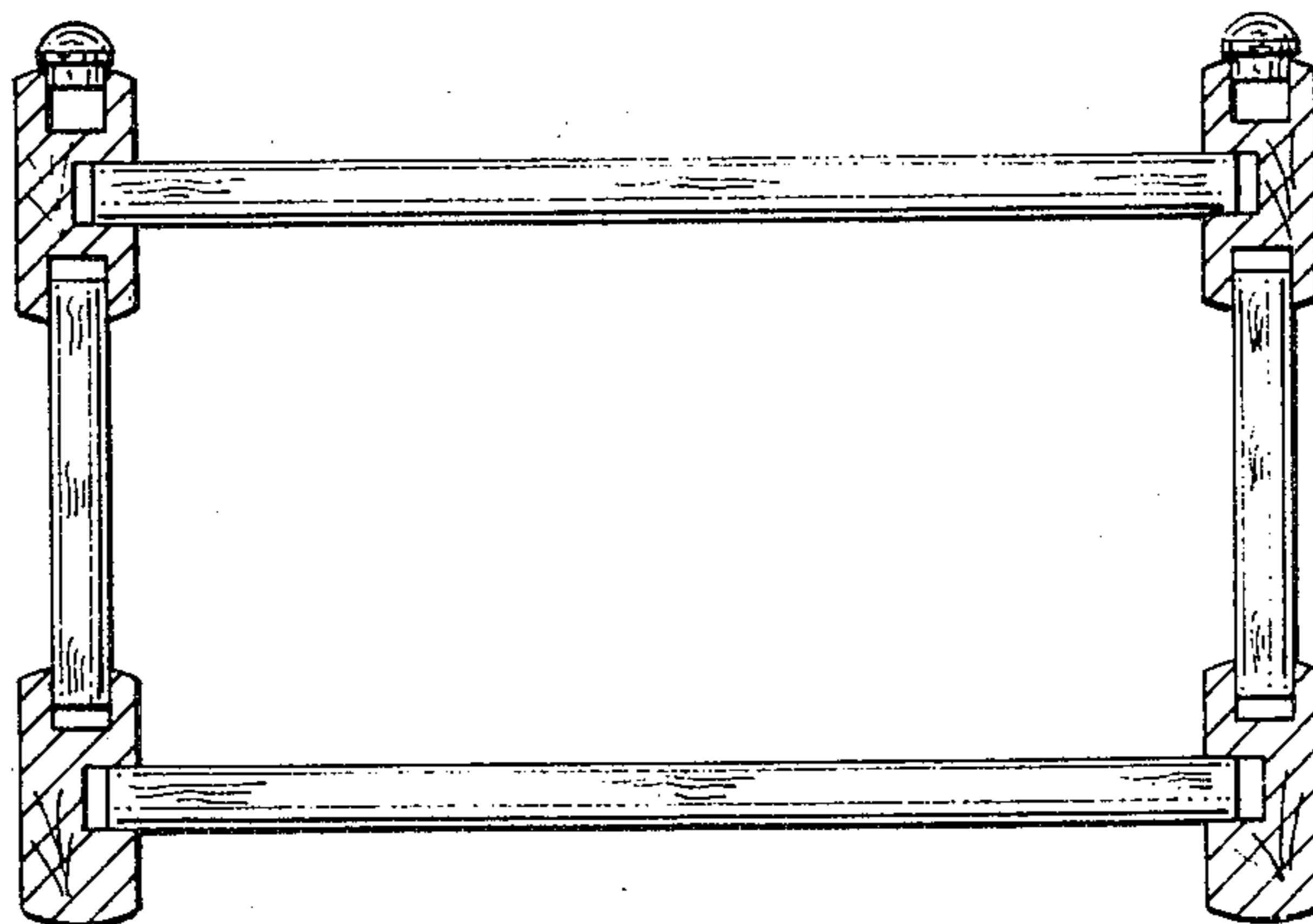


FIG. 7

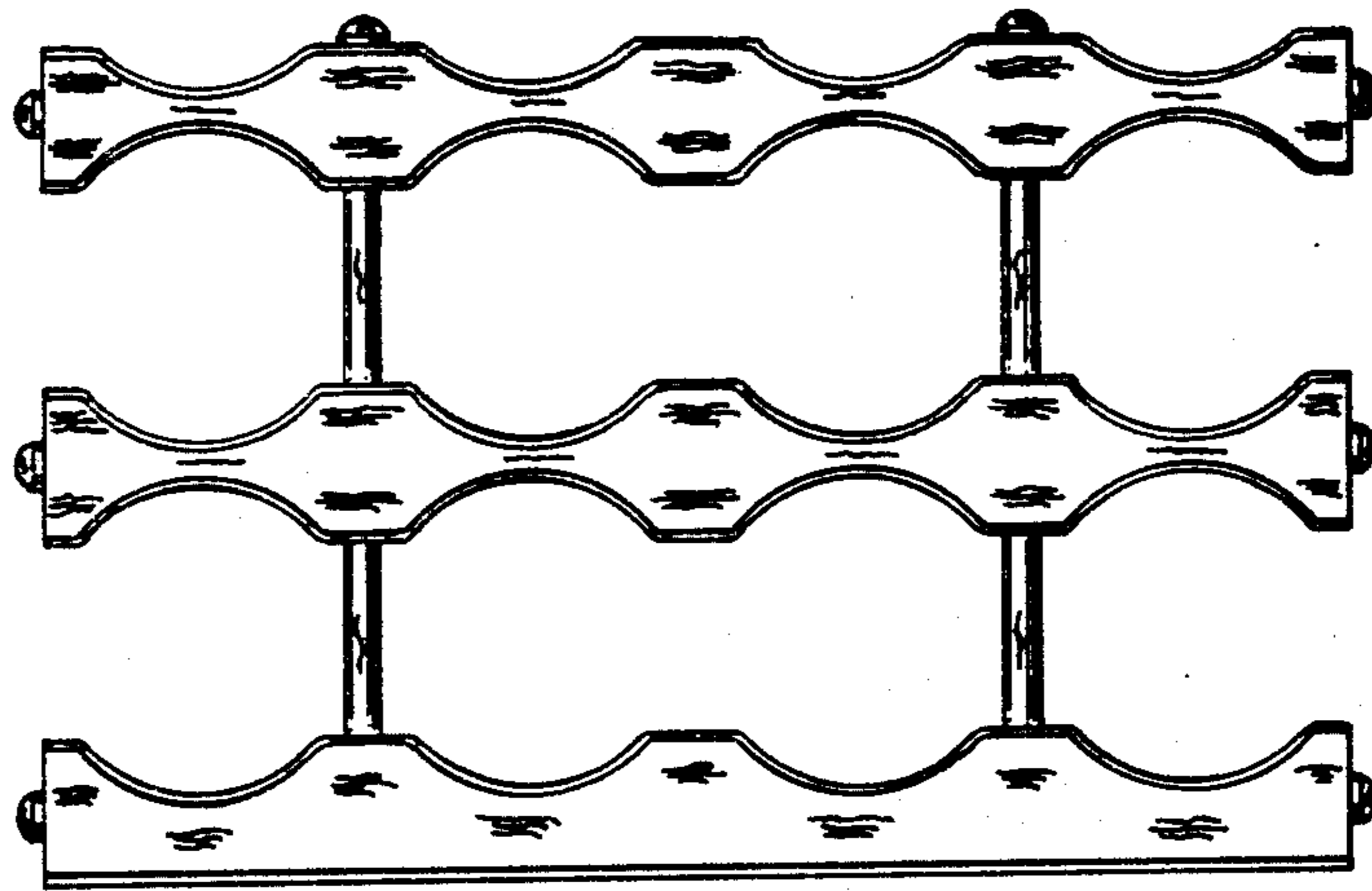


FIG. 8