

[54] CHAIR

[76] Inventor: Paolo Favaretto, Via Lovarini N.31, 35100 Padova, Italy

[\*\*] Term: 14 Years

[21] Appl. No.: 632,734

[22] Filed: Jul. 20, 1984

[30] Foreign Application Priority Data

May 30, 1984 [CA] Canada ..... 30-05-84-9

[52] U.S. Cl. .... D6/336; D6/498

[58] Field of Search ..... D6/364, 365, 366, 367; 297/296, 297, 298, 353, 355, 337, 338

[56] References Cited

U.S. PATENT DOCUMENTS

D. 272,205	1/1984	De Boer	.....	D6/366
D. 272,393	1/1984	Klier	.....	D6/334
D. 273,917	5/1984	Pelly et al.	.....	D6/366
D. 273,925	5/1984	Caruso	.....	D6/498
D. 274,769	7/1984	Klier	.....	D6/366
D. 276,575	12/1984	Helmholdt	.....	D6/366

Primary Examiner—Bruce W. Dunkins  
Attorney, Agent, or Firm—Sughrue, Mion, Zinn, Macpeak, and Seas

[57] CLAIM

The ornamental design for a chair, as shown and described.

DESCRIPTION

FIG. 1 is a front perspective view of a chair showing my design;

FIG. 2 is a rear perspective view;

FIG. 3 is a perspective view taken from below;

FIG. 4 is a front elevational view;

FIG. 5 is a side elevational view; and

FIG. 6 is a top plan view thereof;

FIG. 7 is a front perspective view of a chair showing a second embodiment of my design;

FIG. 8 is a rear perspective view;

FIG. 9 is a perspective view taken from below;

FIG. 10 is a front elevational view;

FIG. 11 is a side elevational view; and

FIG. 12 is a top plan view thereof.

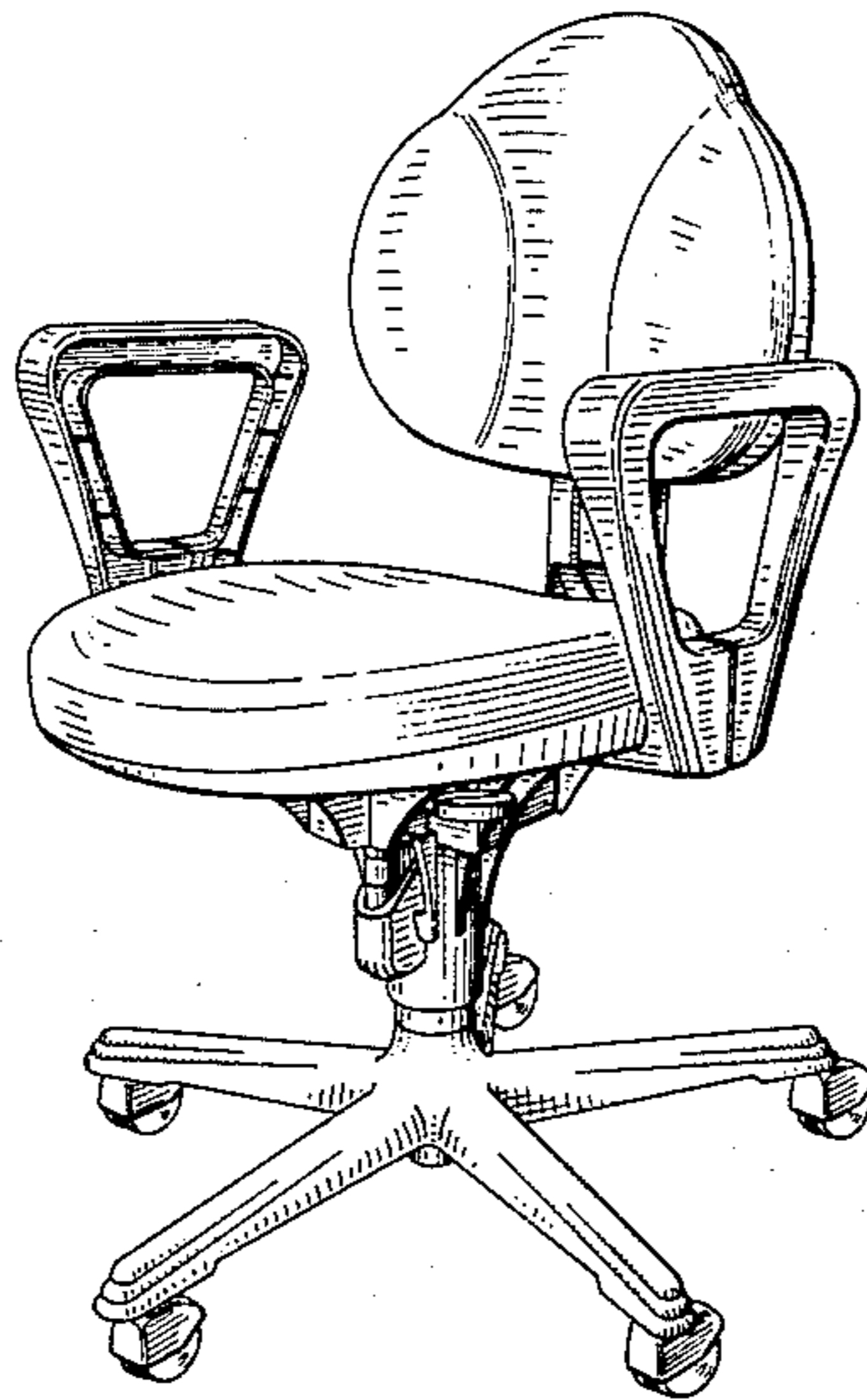


FIG. 1

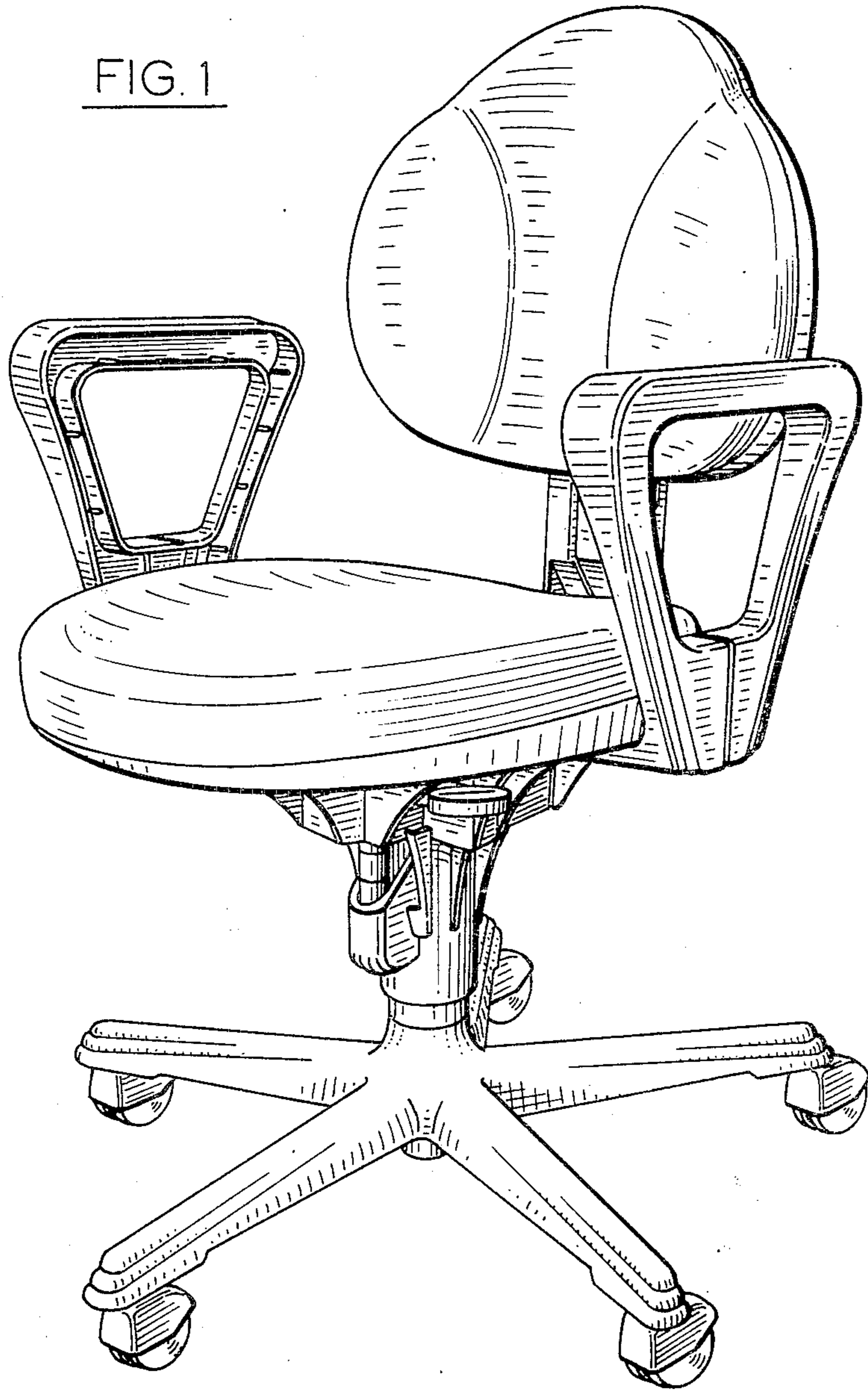


FIG. 2

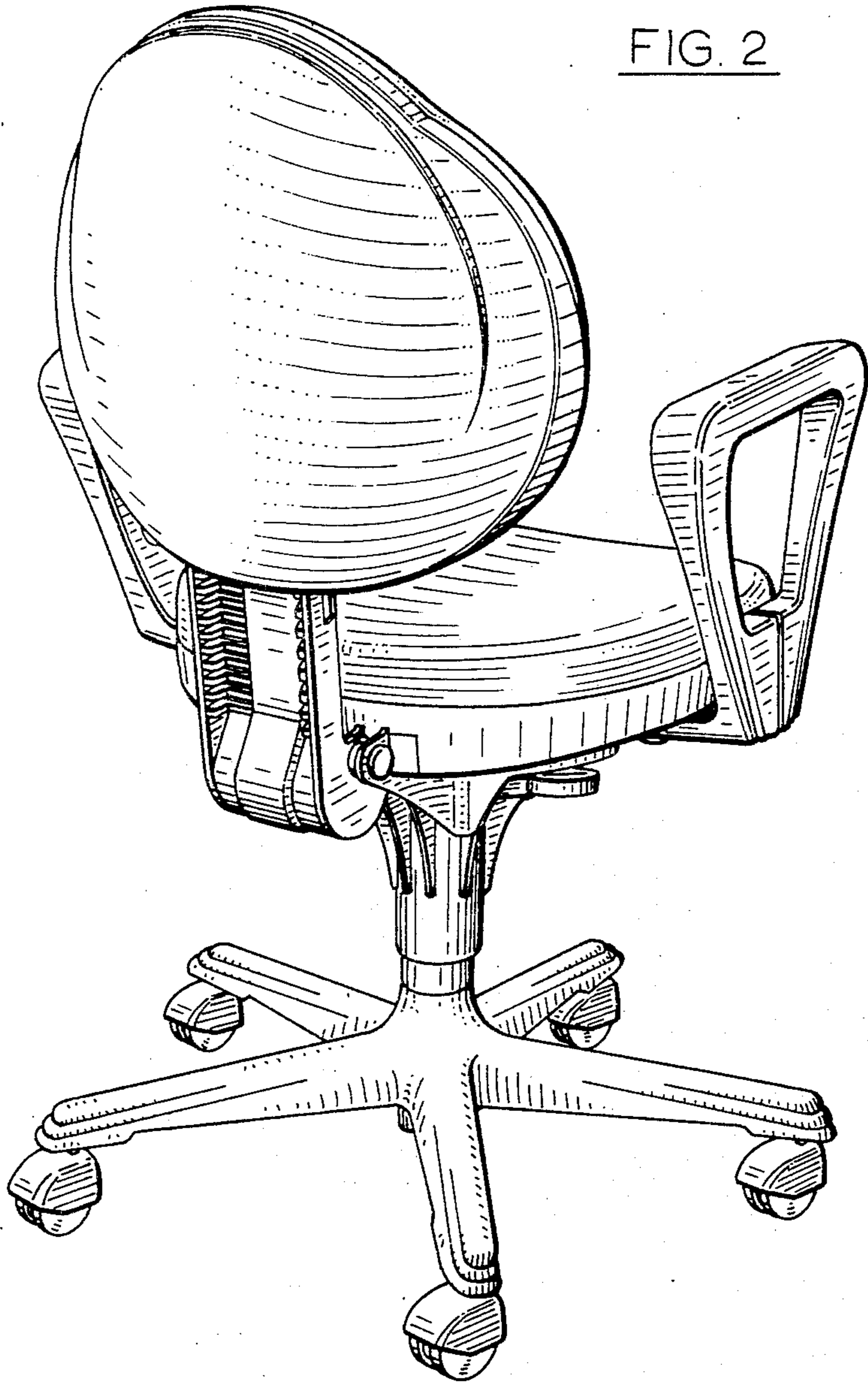


FIG. 3

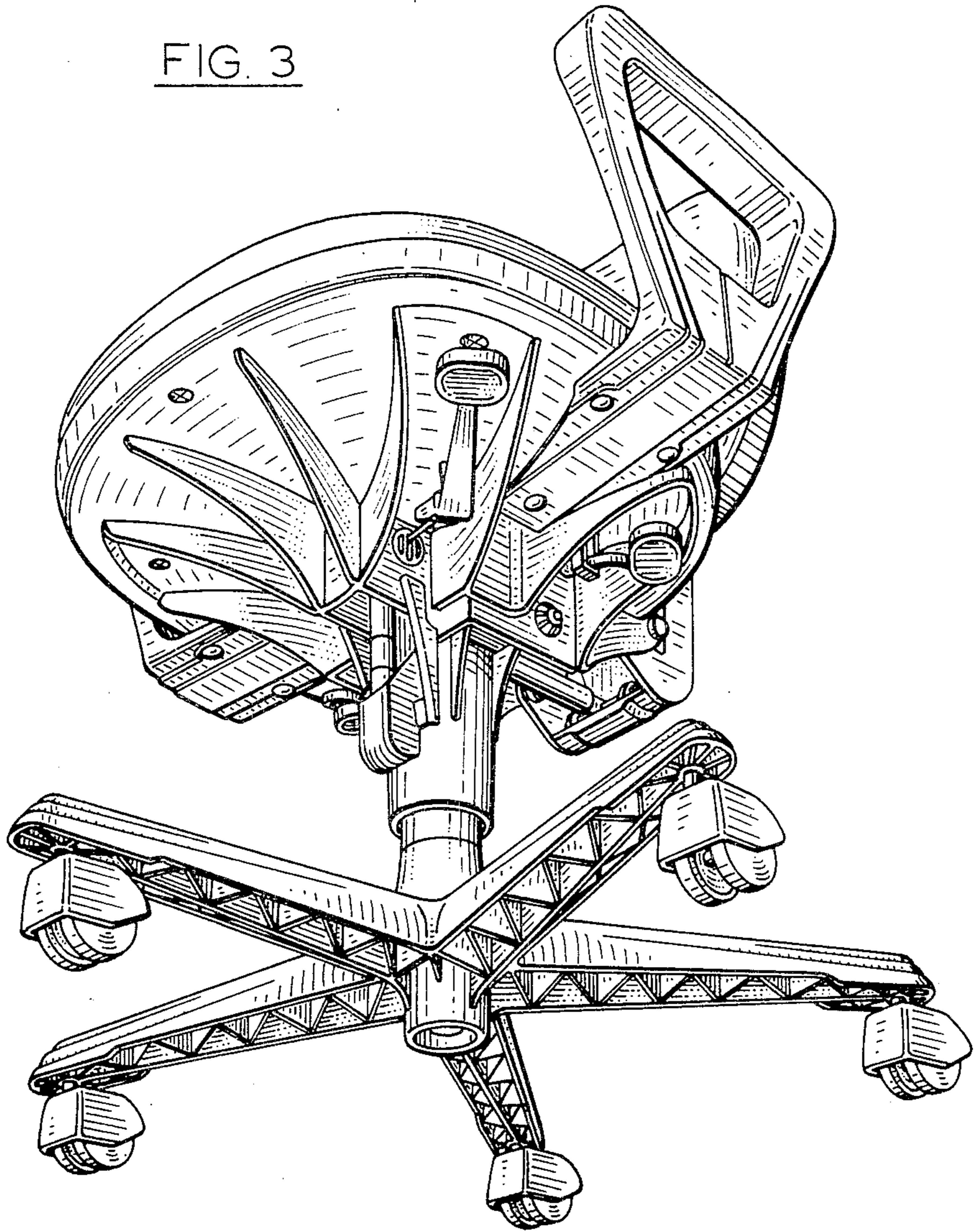


FIG. 4

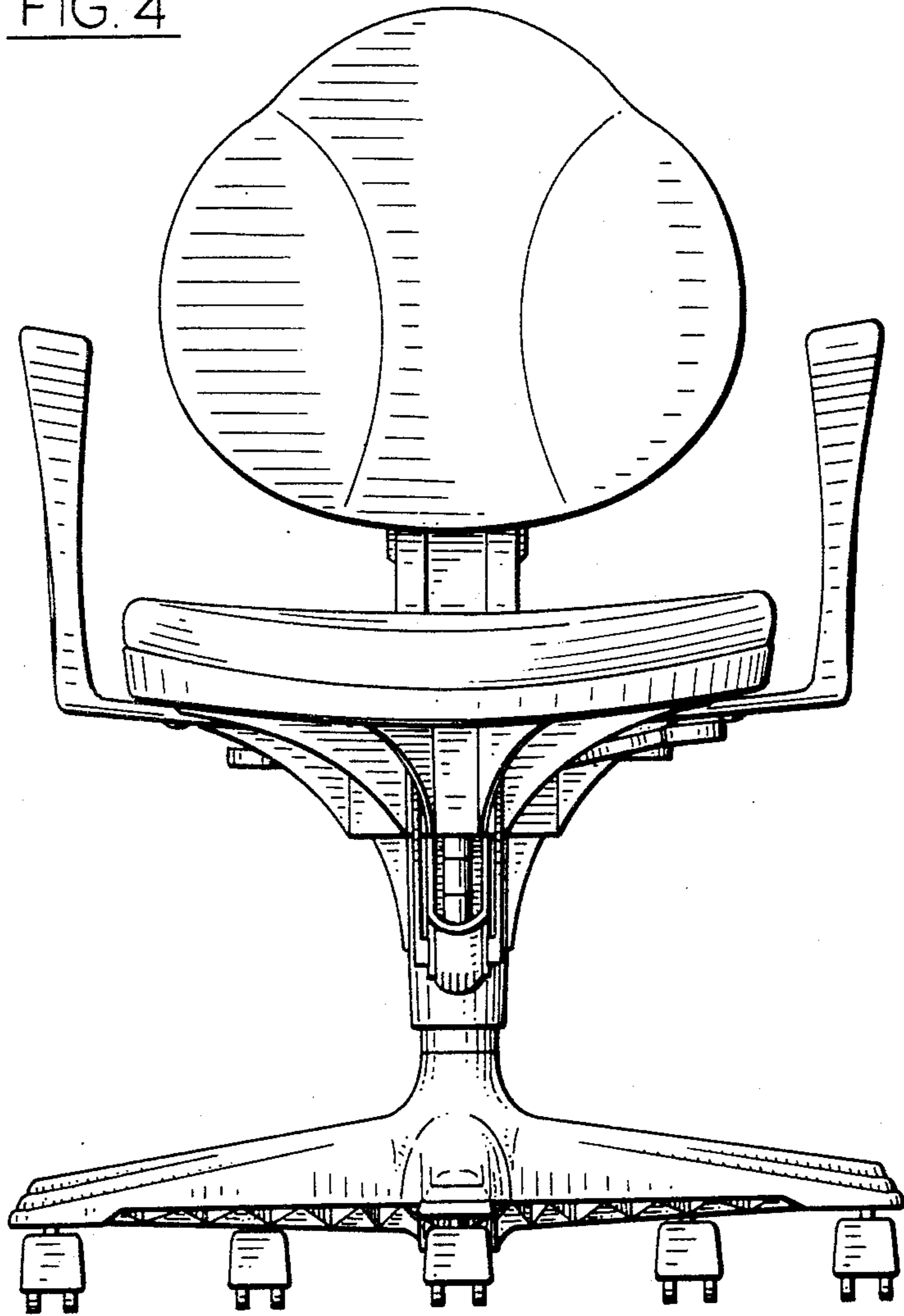


FIG. 5

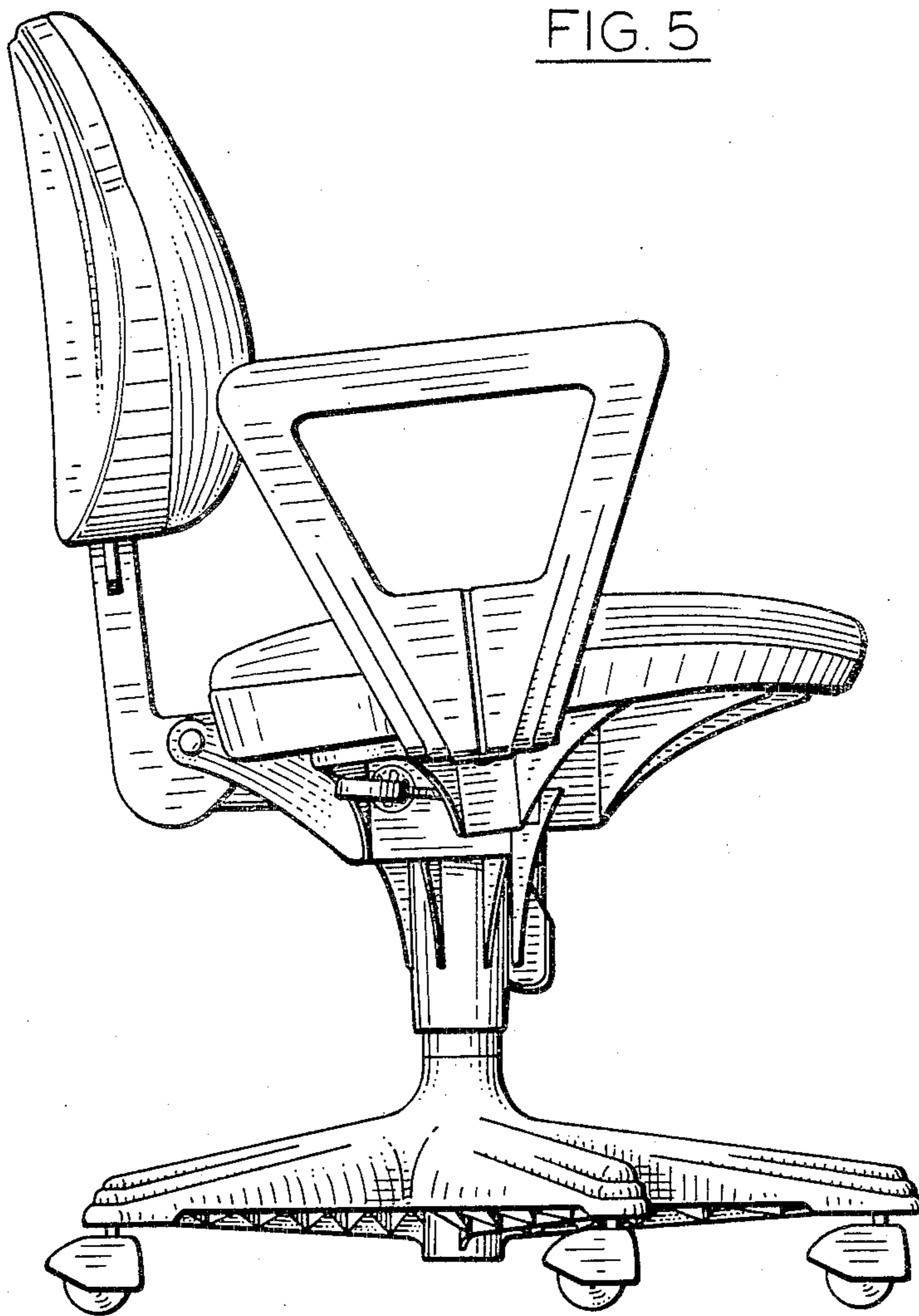


FIG. 6

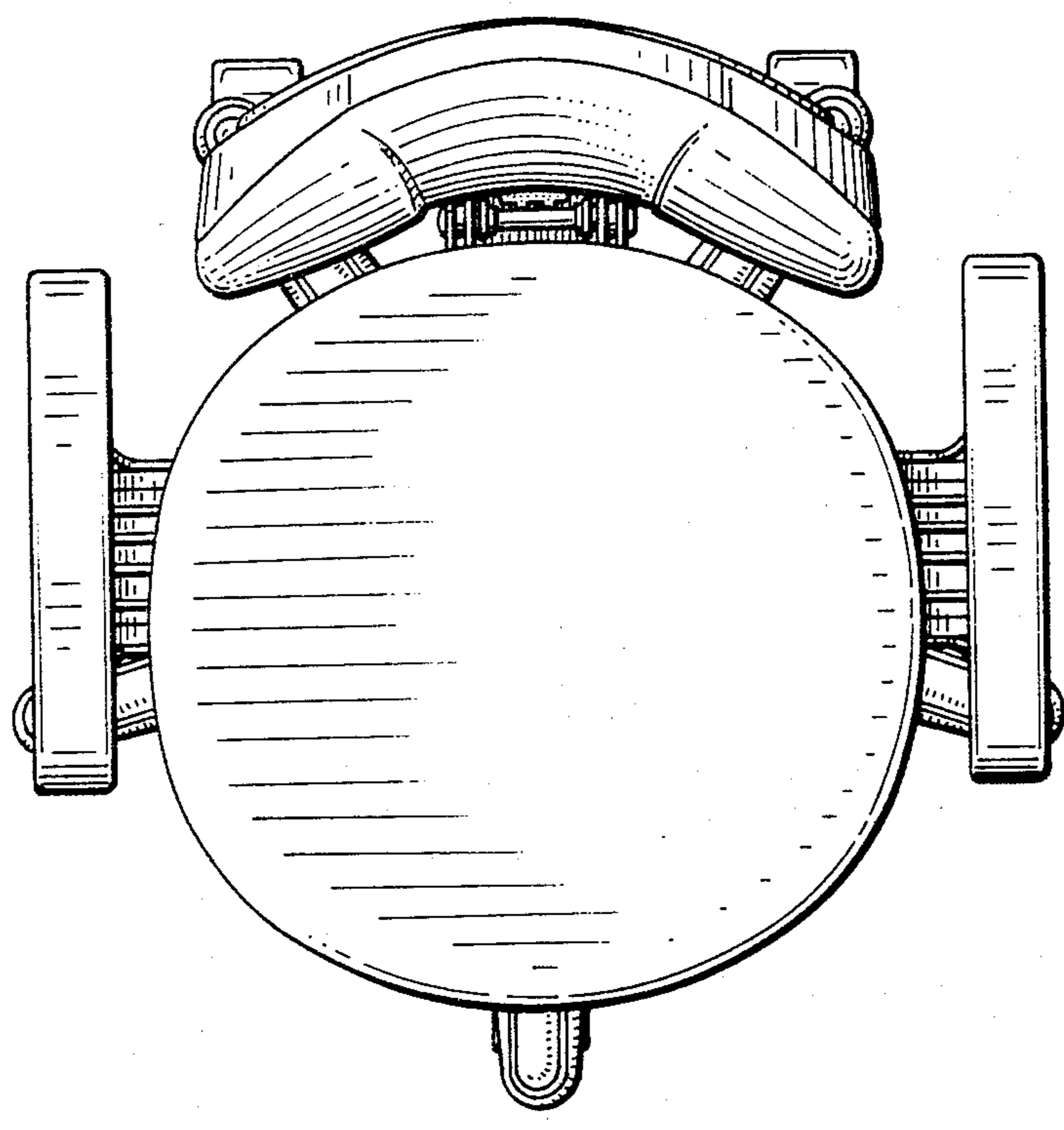


FIG. 7

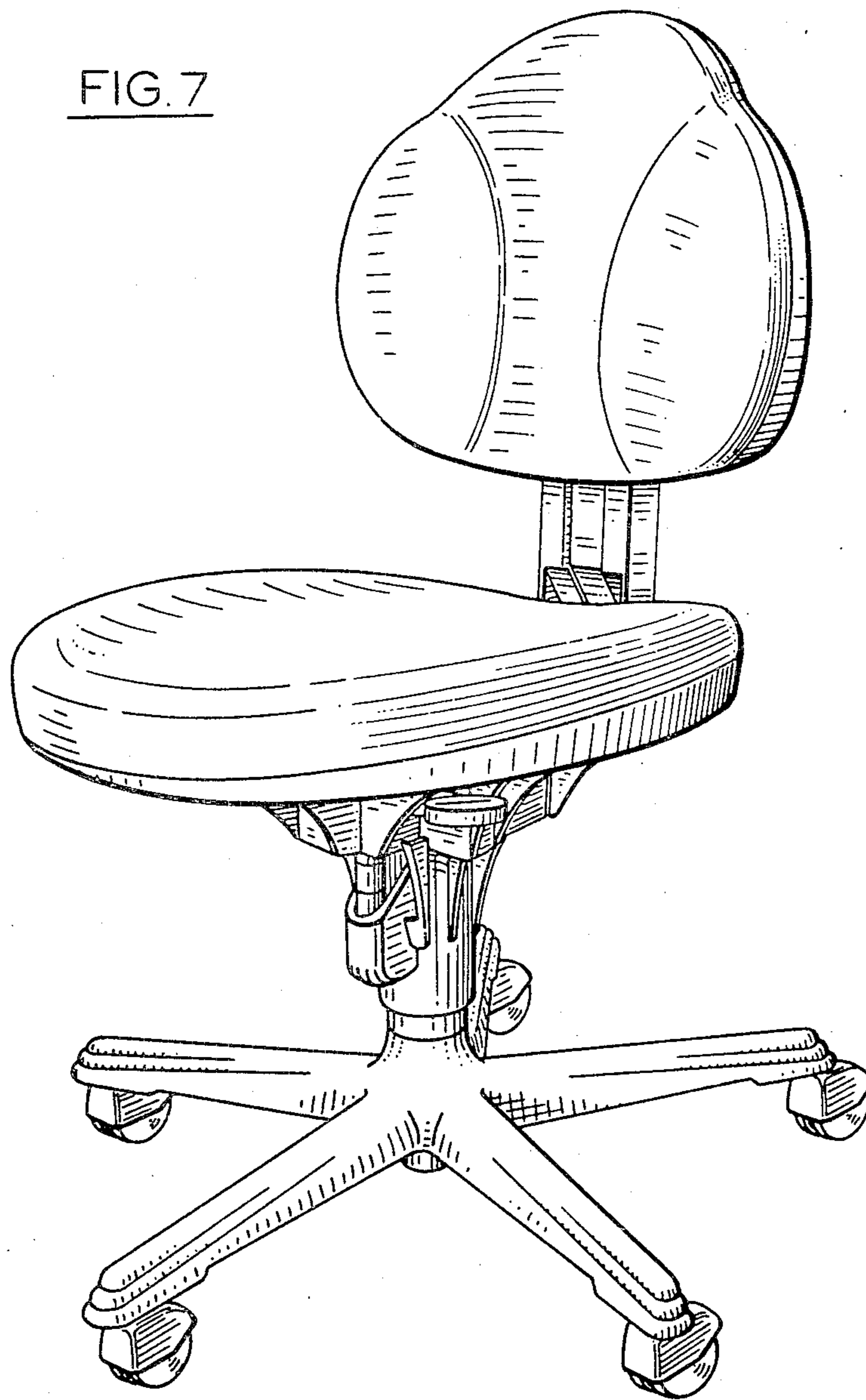




FIG. 8

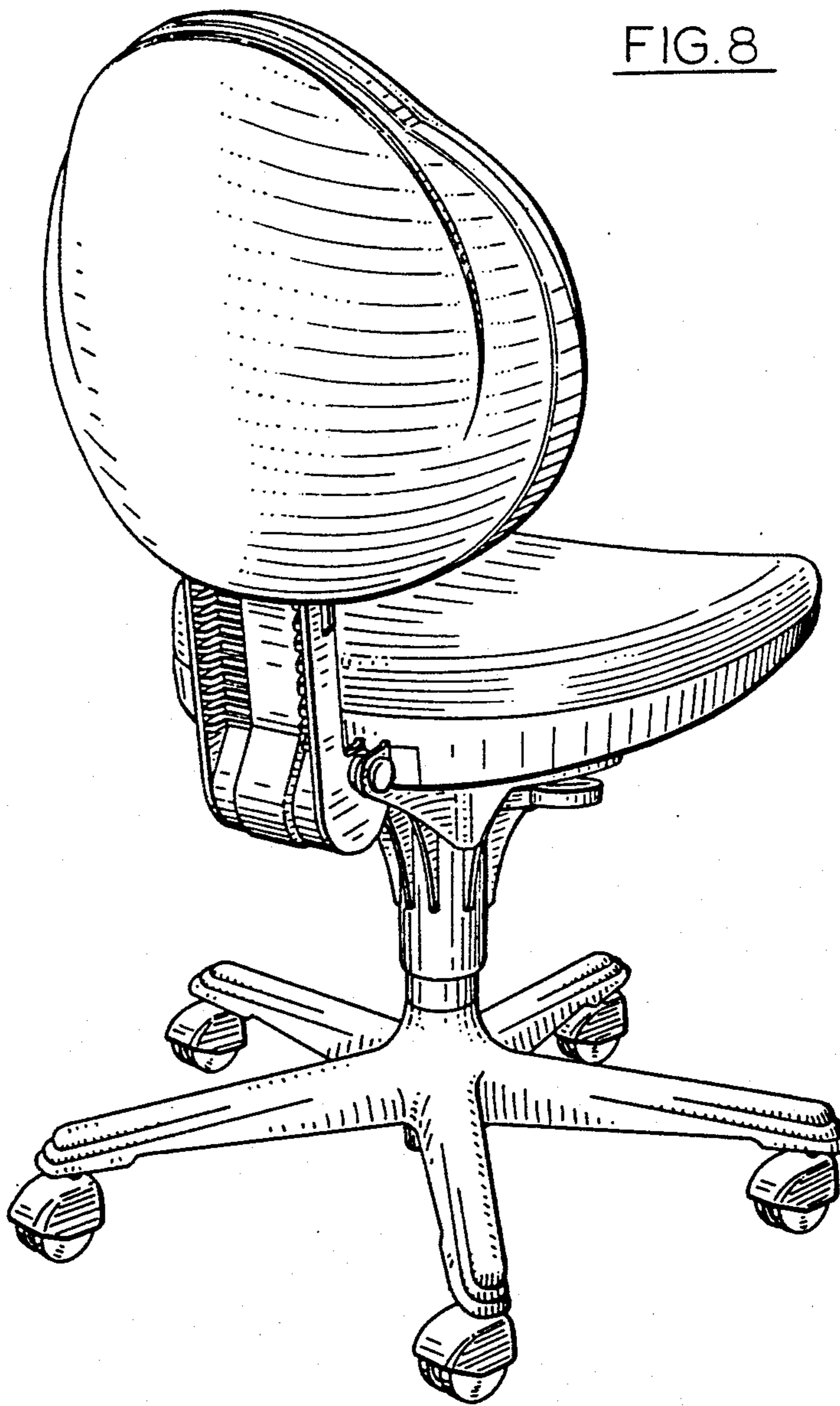


FIG. 9

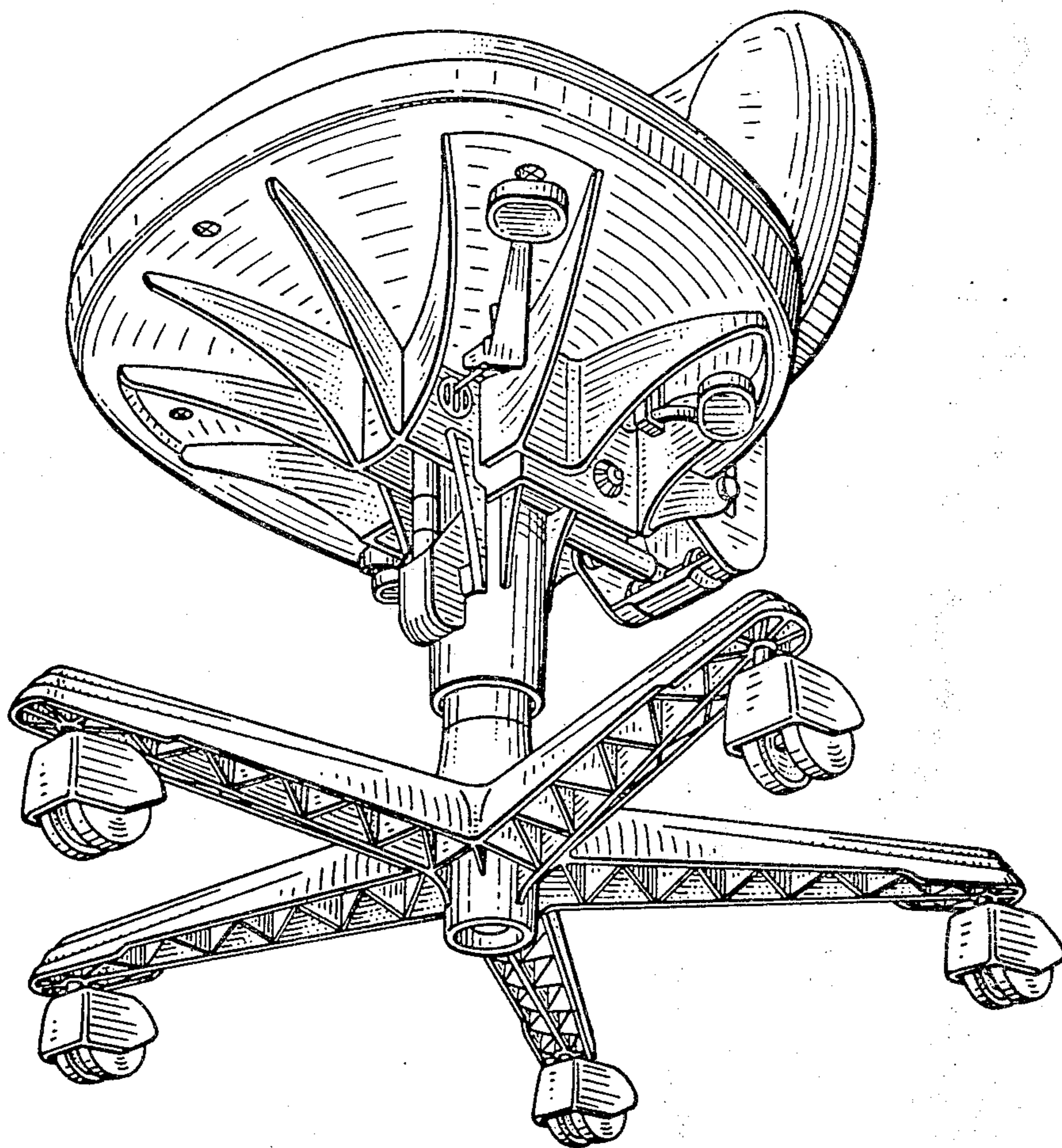


FIG.10

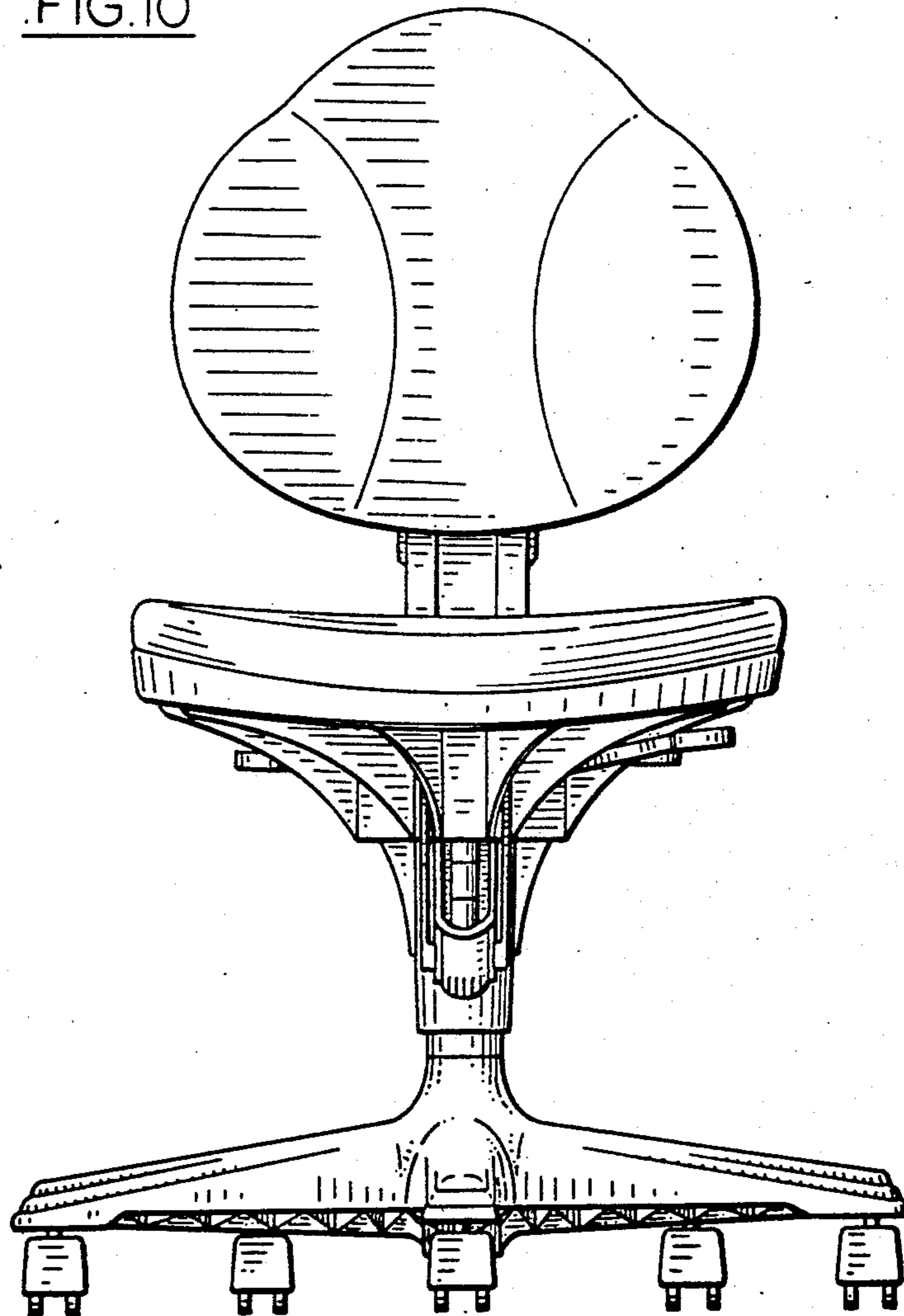


FIG.11

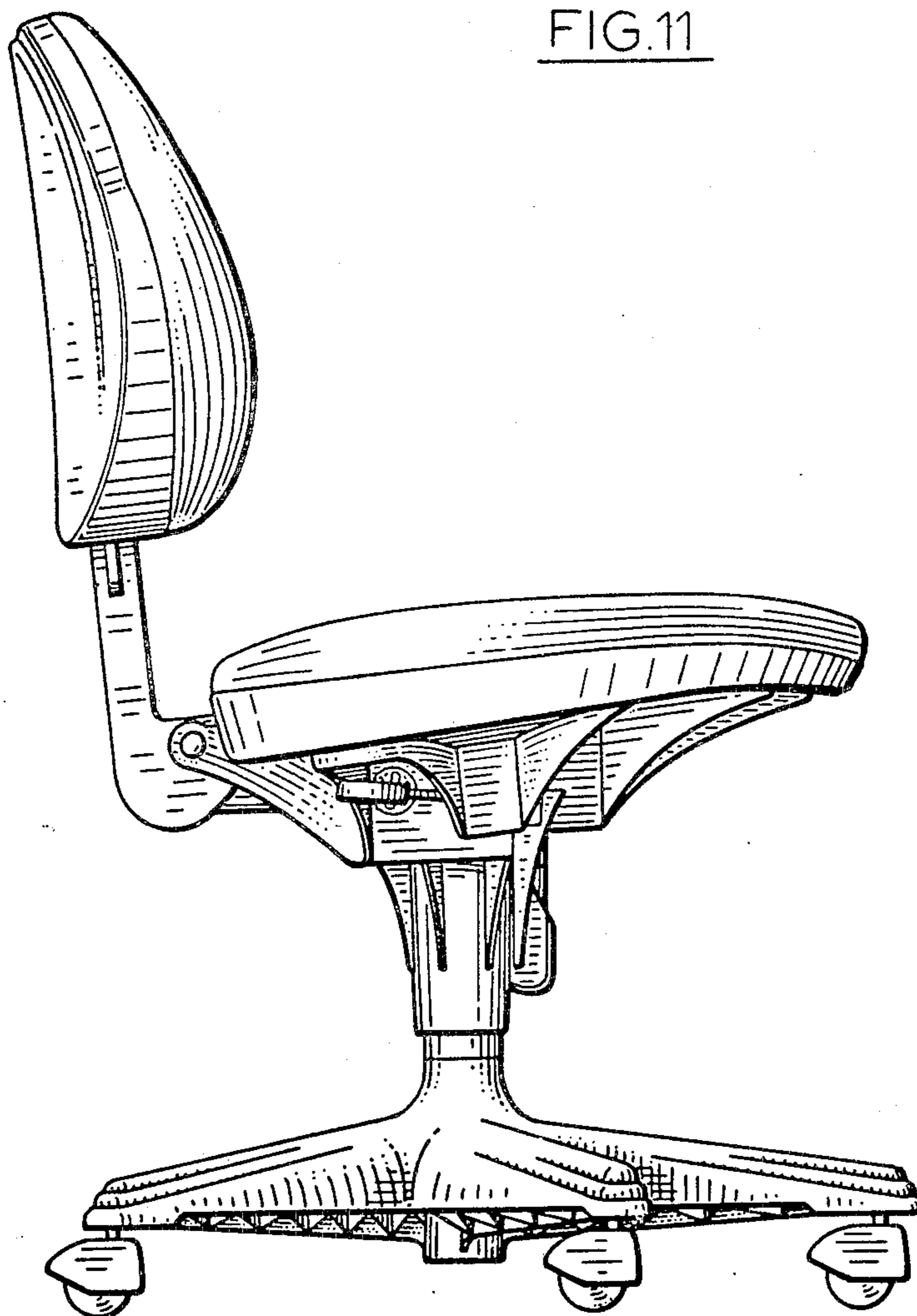


FIG.12

