

United States Patent [19]

Shumate

[11] Patent Number: **Des. 289,693**

[45] Date of Patent: **** May 5, 1987**

[54] **CANDLEHOLDER**

[76] Inventor: **William C. Shumate**, 3616 Royal Rd., Meridian, Miss. 39301

[**] Term: **14 Years**

[21] Appl. No.: **709,739**

[22] Filed: **Mar. 8, 1985**

[52] U.S. Cl. **D26/22**

[58] Field of Search **D26/8-23, D26/93, 102-117; D11/143, 146, 152-155; 431/125, 288-299, 302, 304, 310, 311**

[56] **References Cited**

U.S. PATENT DOCUMENTS

- D. 50,100 12/1916 French D26/110
- D. 70,409 6/1926 Fenton .
- D. 70,558 7/1926 Heisey .
- D. 71,909 1/1927 Fisher .
- D. 80,854 4/1930 Raffaelli D26/110
- D. 84,563 7/1931 D26 110/

- D. 84,563 7/1931 Burke D26/110
- 164,669 6/1875 Atterbury et al. 362/415 X
- D. 209,003 10/1967 Ward .
- D. 228,793 10/1973 Shumate D26/22

Primary Examiner—Susan J. Lucas
Attorney, Agent, or Firm—Dowell & Dowell

[57] **CLAIM**

The ornamental design for a candleholder, as shown and described.

DESCRIPTION

- FIG. 1 is a perspective view of a candleholder showing my new design.
- FIG. 2 is an opposite side elevational view thereof;
- FIG. 3 is a top plan view thereof;
- FIG. 4 is a bottom plan view thereof;
- FIG. 5 is a perspective view of a second embodiment of my new design.
- FIG. 6 is an opposite side elevational view thereof;
- FIG. 7 is a top plan view thereof;
- FIG. 8 is a bottom plan view thereof.

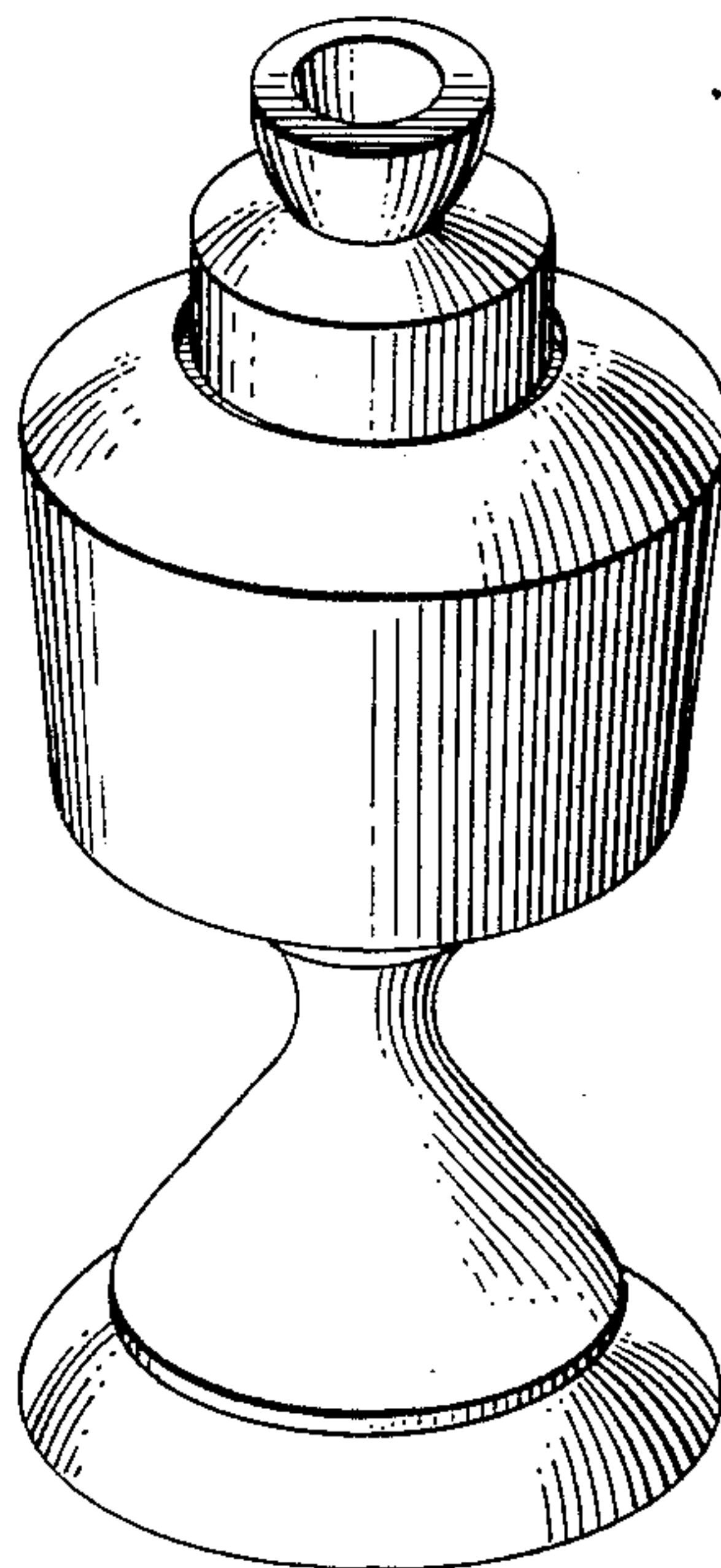


FIG. 1.

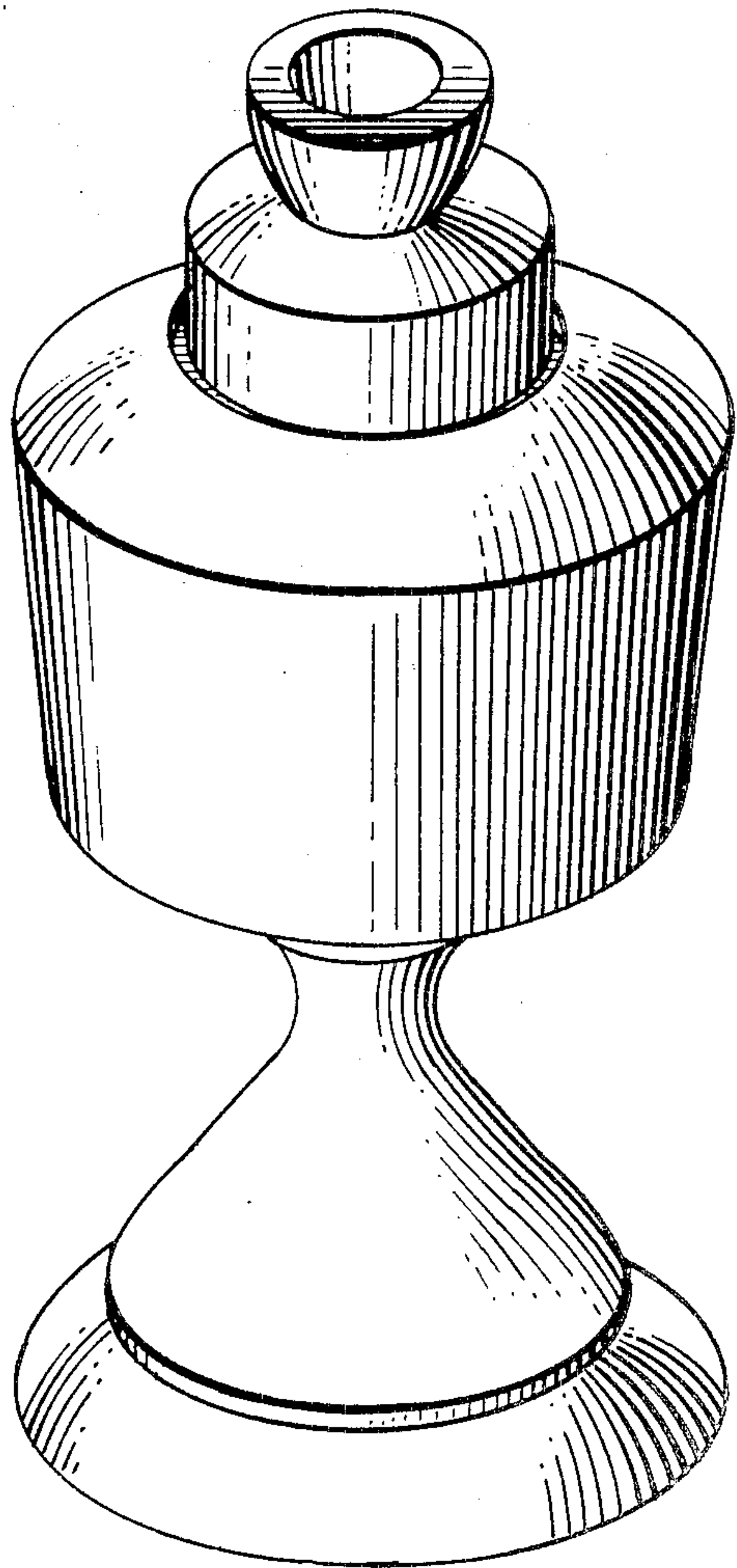


FIG. 2.

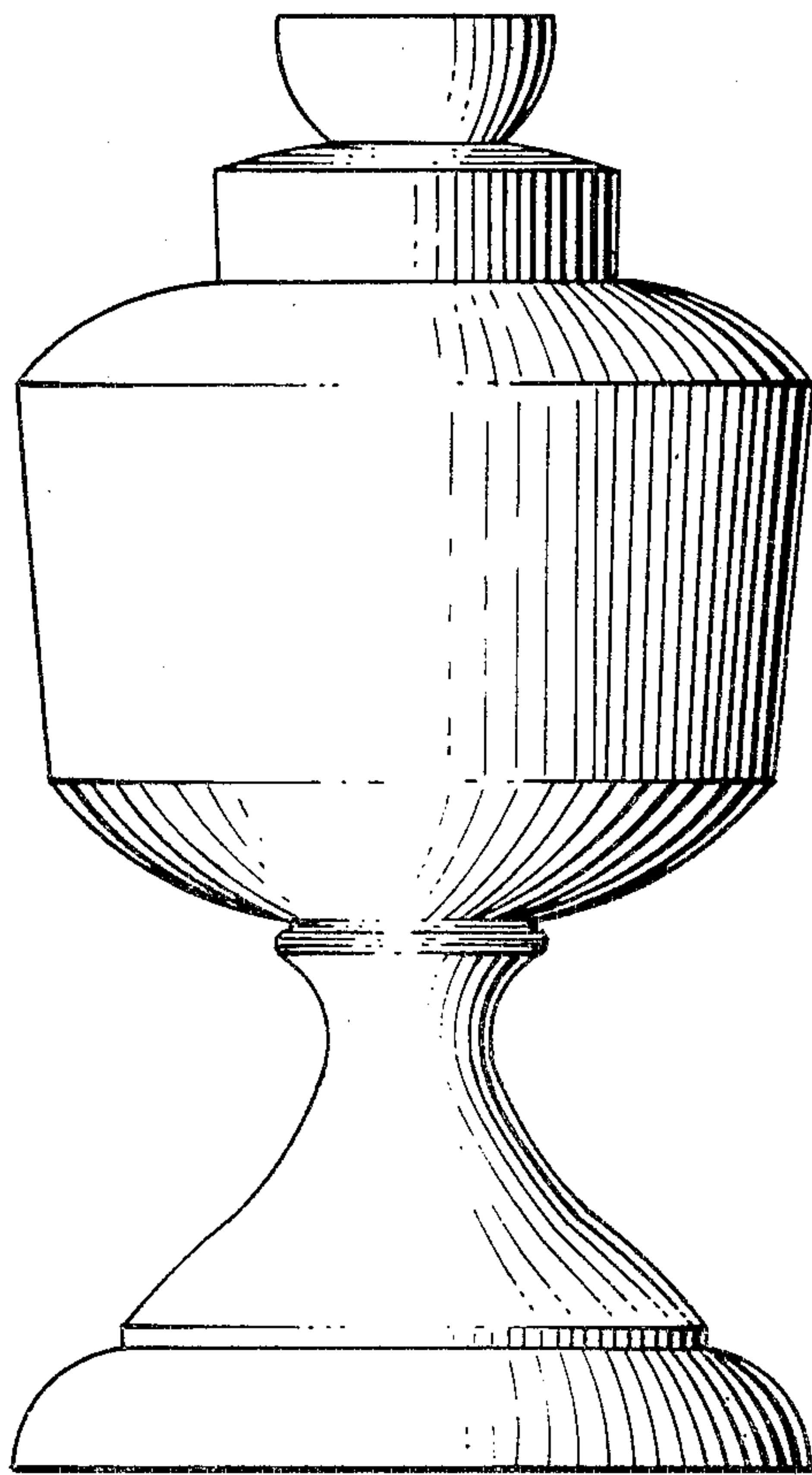


FIG. 3.

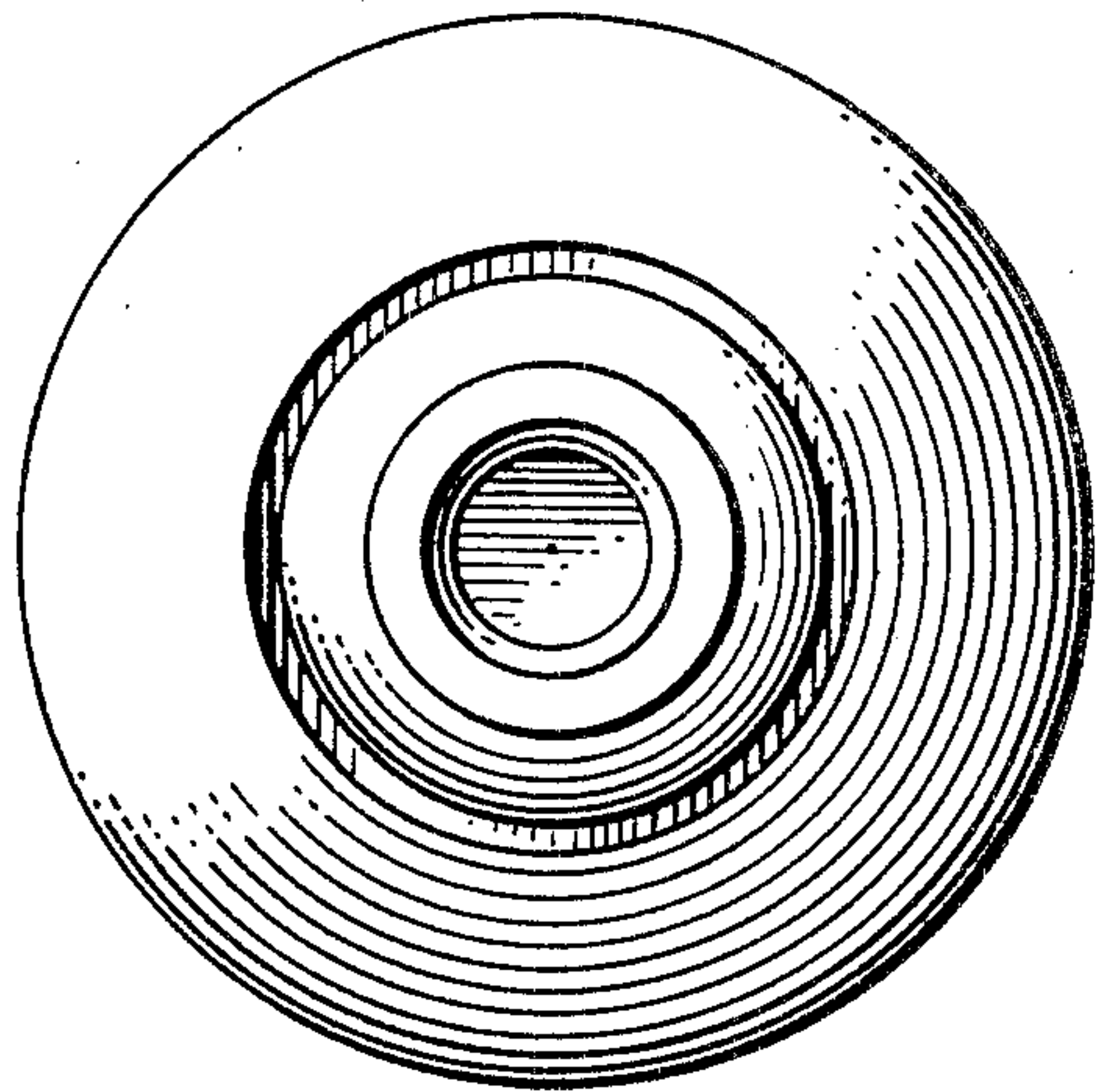


FIG. 4.

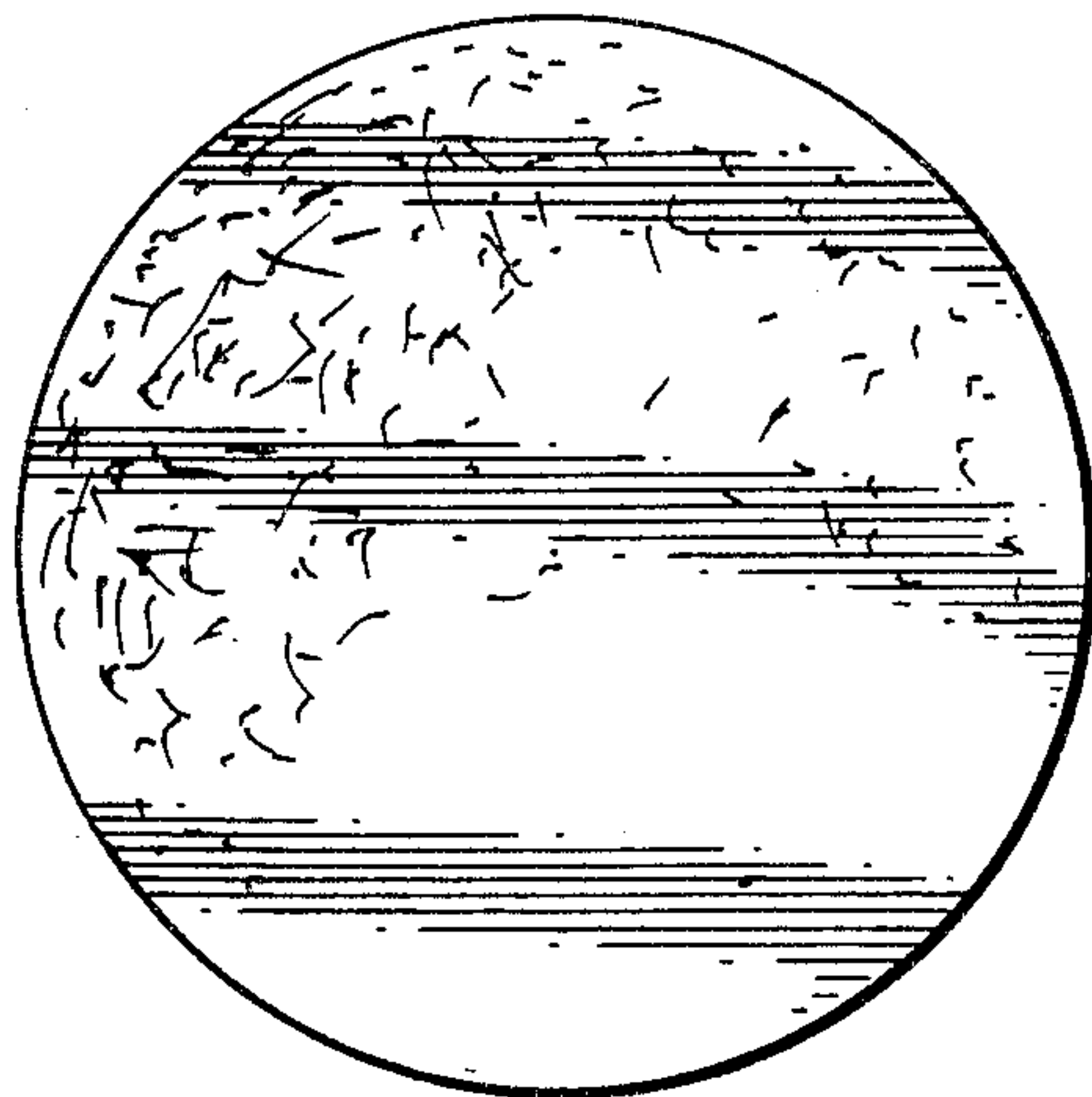


FIG. 5.

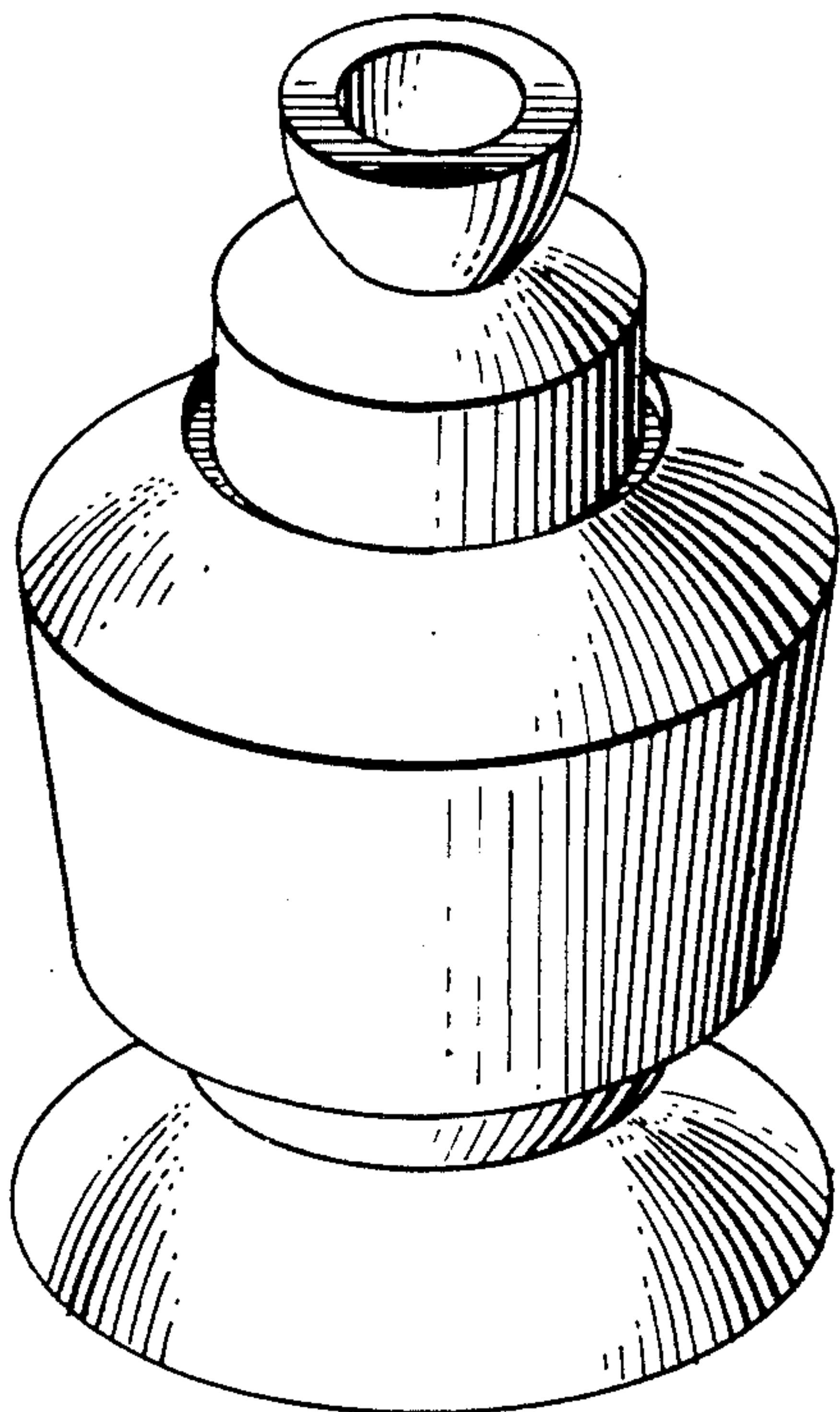


FIG. 6.

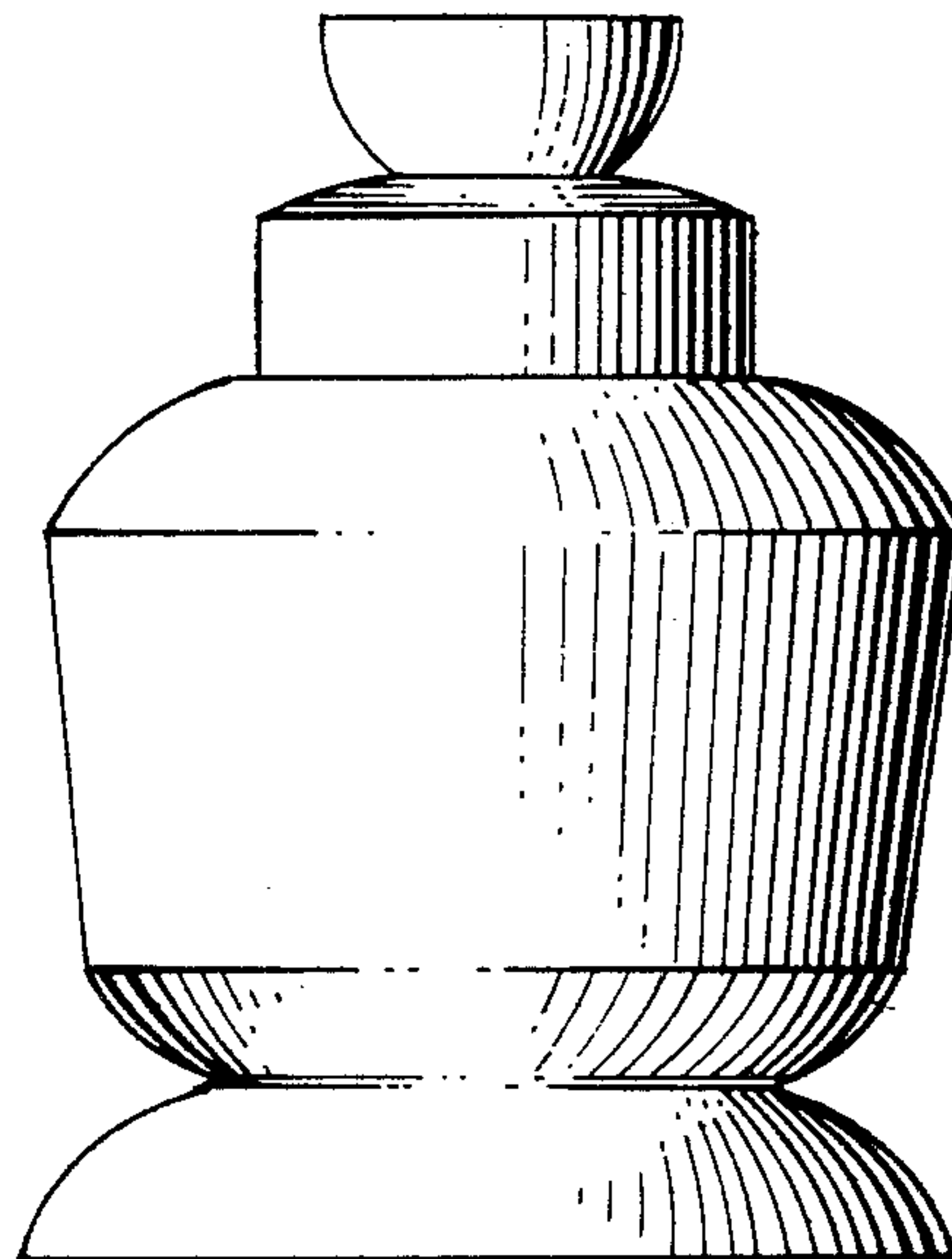


FIG. 7.

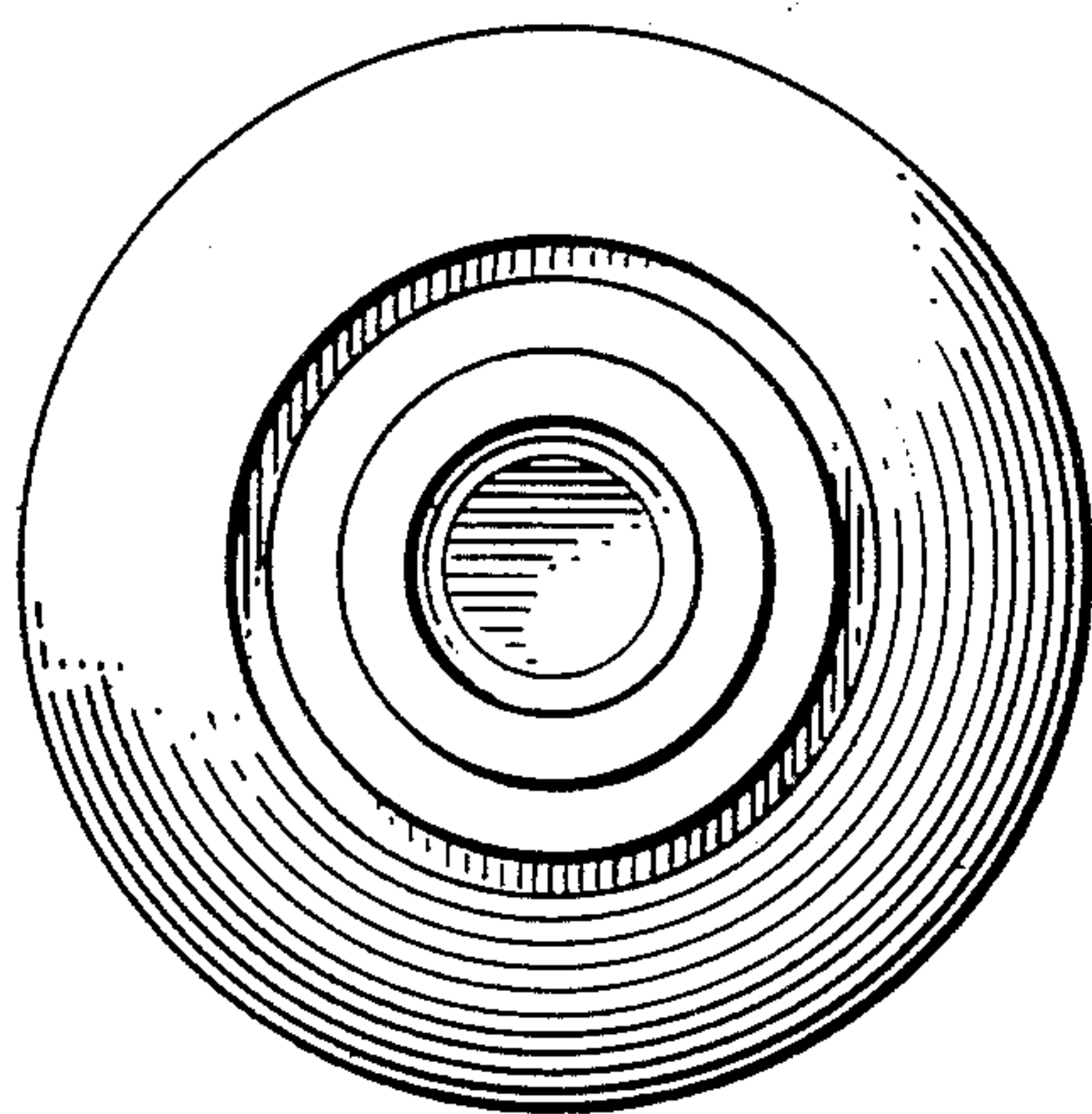


FIG. 8.

