

[54] BLOWER FOR MOVING FLUE GASES IN A CONDENSING FURNACE

[75] Inventor: Norvel J. Heob, Shell Knob, Mo.

[73] Assignee: Fasco Industries, Inc., Boca Raton, Fla.

[**] Term: 14 Years

[21] Appl. No.: 639,838

[22] Filed: Aug. 13, 1984

[52] U.S. Cl. D23/127; D23/162

[58] Field of Search D23/127, 162, 129; 415/219 R, 219 A, 219 B, 219 C

[56] References Cited

U.S. PATENT DOCUMENTS

- D. 179,304 11/1956 Koch D23/162
- D. 207,359 4/1967 Hajec D23/162
- D. 245,994 10/1977 Olson D23/162

OTHER PUBLICATIONS

Industrial Equipment News—May 1962 p. 59 Cincinnati Blowers 1 and 2.

Grainger's Wholesale Net Price Motor Book #337—Winter 1973/1974—p. 515—Models 2C782, 1C939, 2C781.

Primary Examiner—Catherine E. Kemper
Attorney, Agent, or Firm—Shlesinger, Fitzsimmons & Shlesinger

[57] CLAIM

The ornamental design for a blower for moving flue gases in a condensing furnace, substantially as shown.

DESCRIPTION

FIG. 1 is a front elevational view of a blower for moving flue gases in a condensing furnace showing my new design;

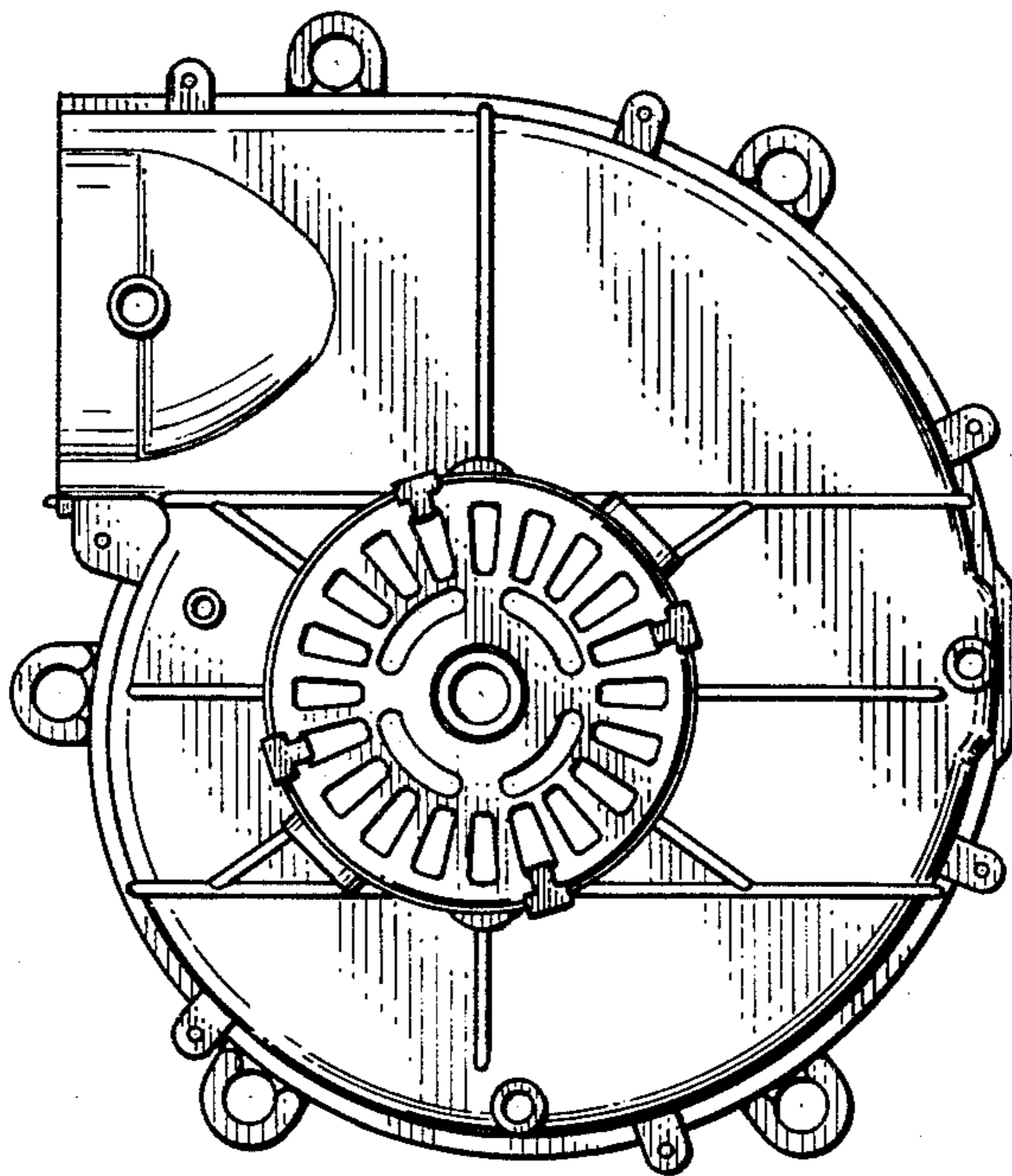
FIG. 2 is a bottom plan view thereof;

FIG. 3 is a top plan view thereof;

FIG. 4 is a rear elevational view thereof;

FIG. 5 is a left end elevational view thereof; and

FIG. 6 is a right end elevational view thereof.



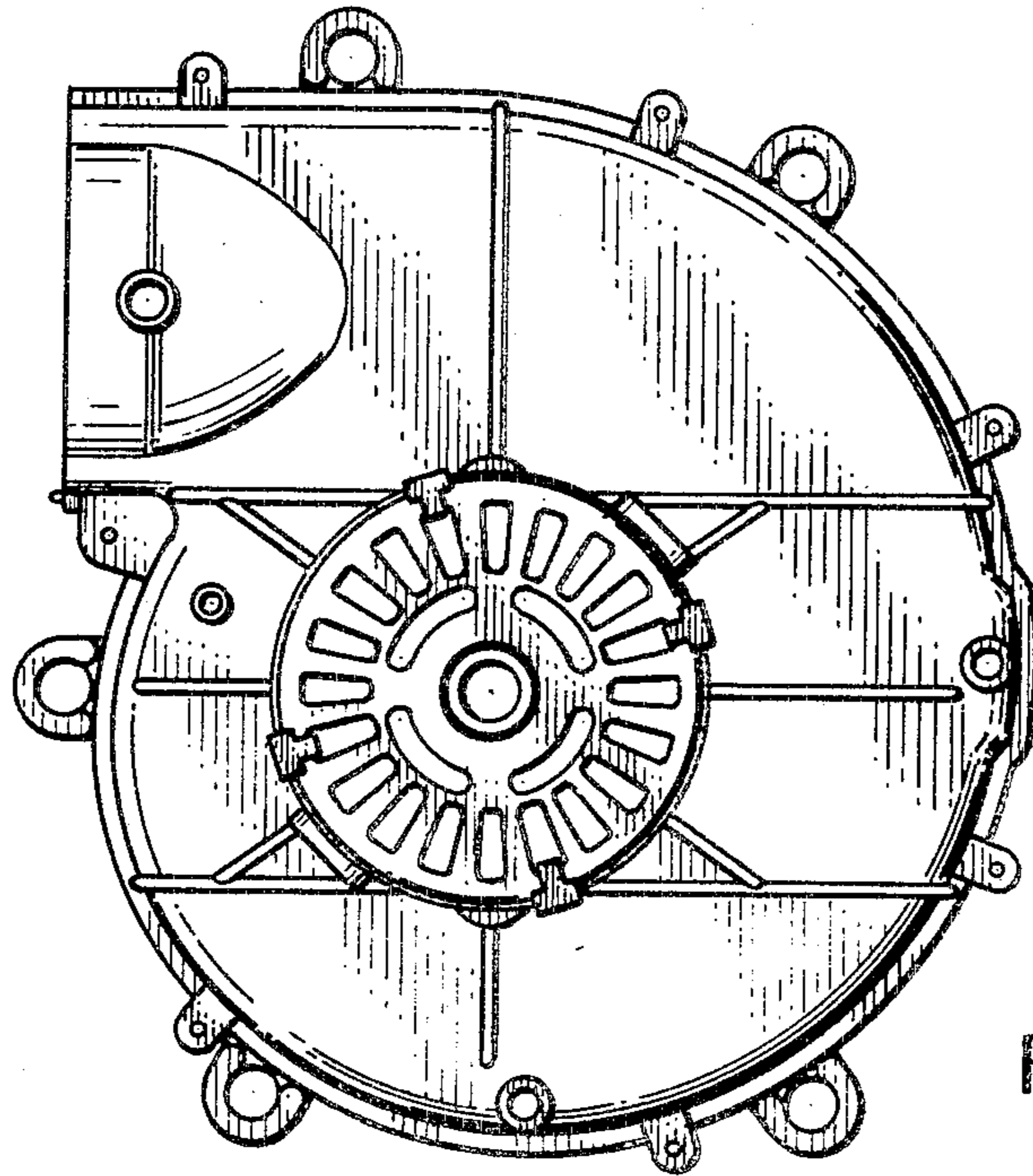


FIG. 1

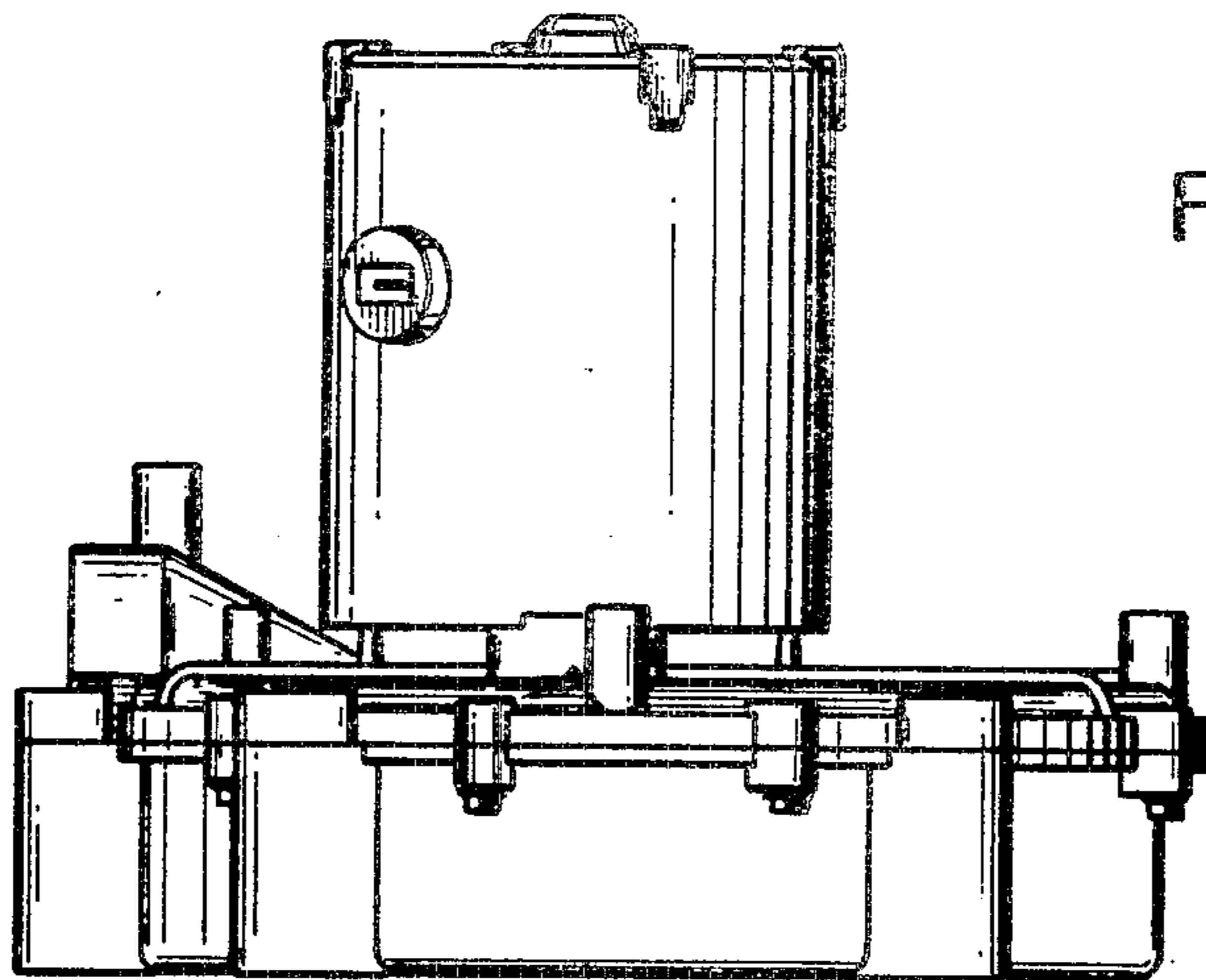


FIG. 2

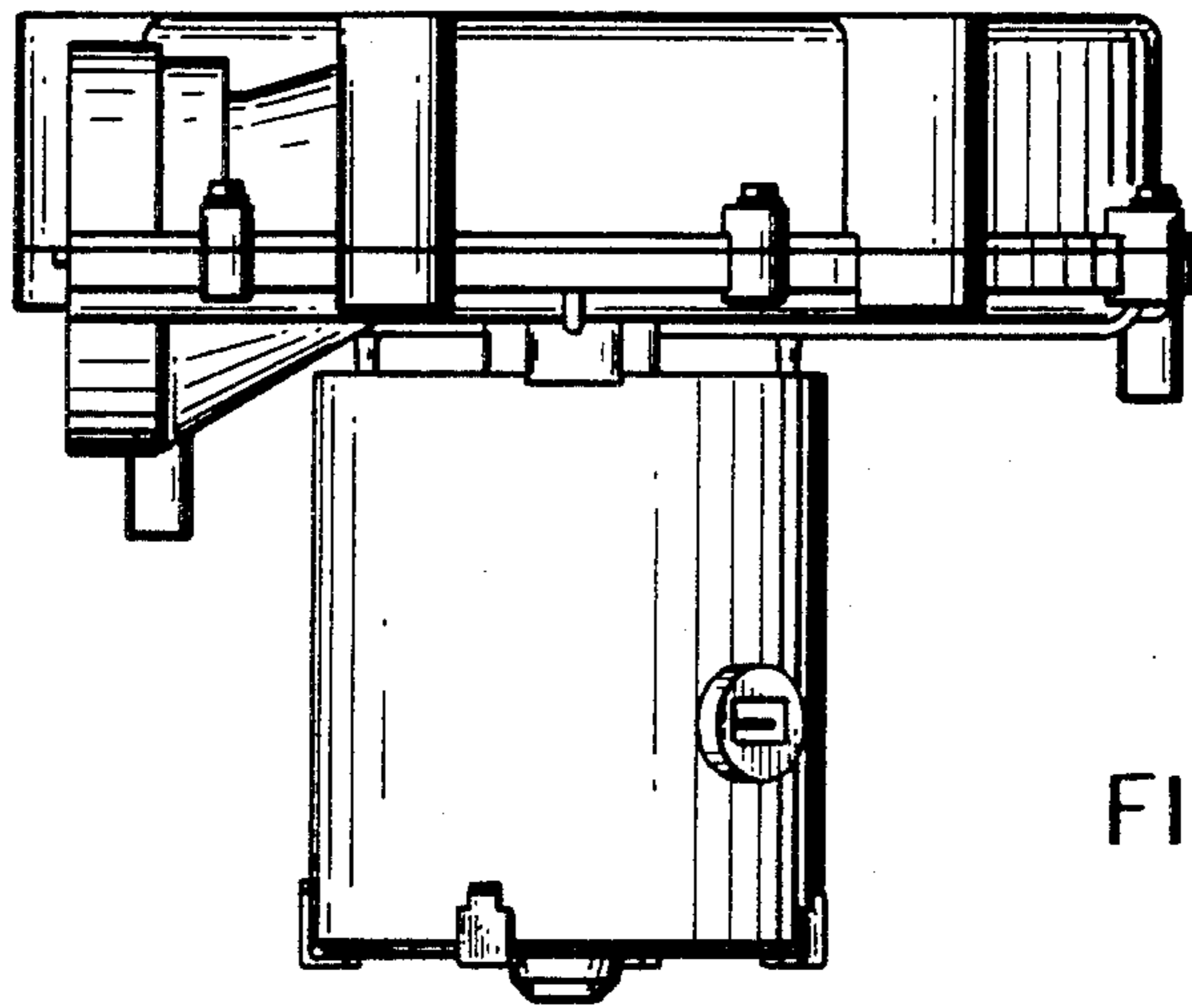


FIG. 3

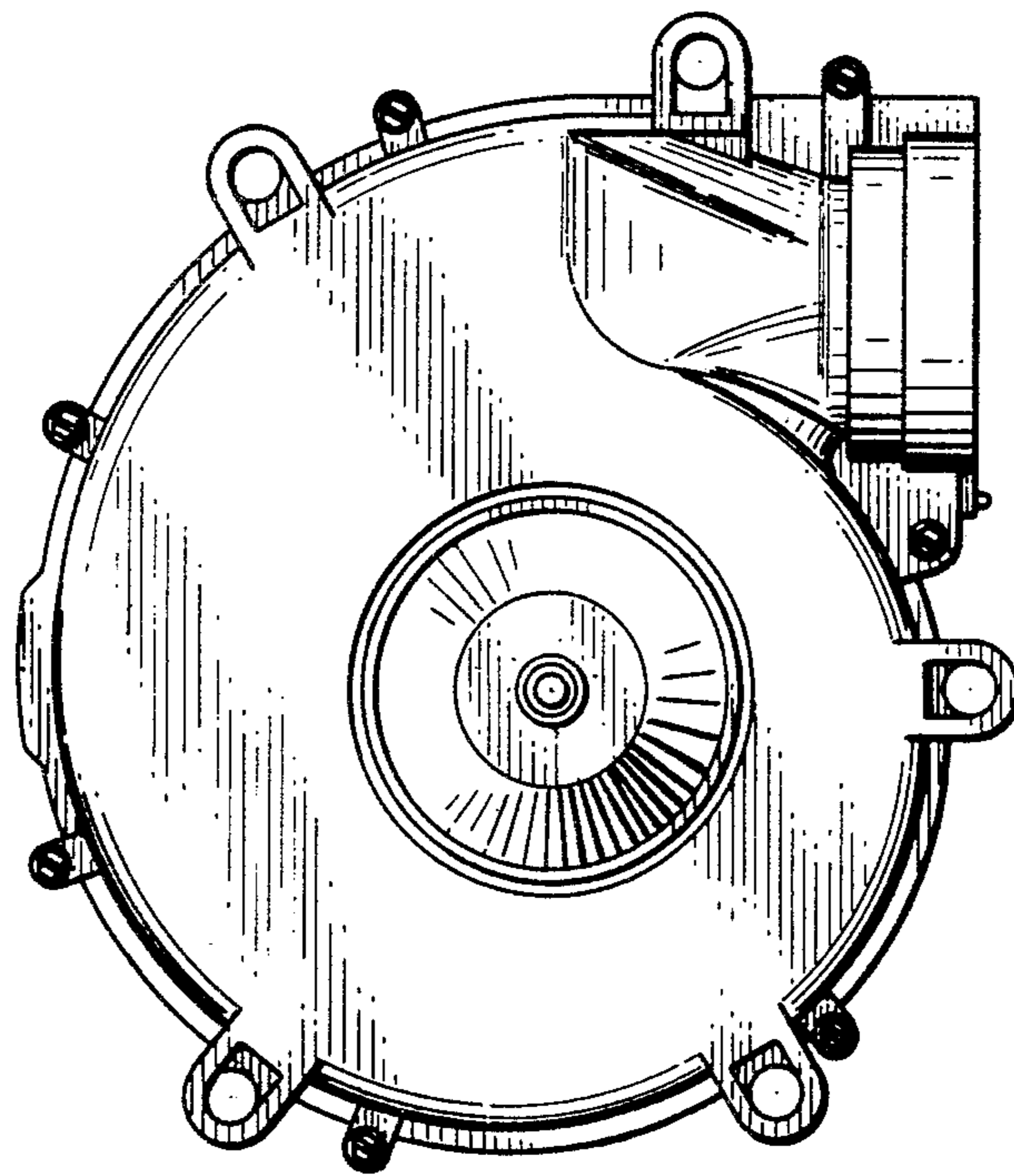


FIG. 4

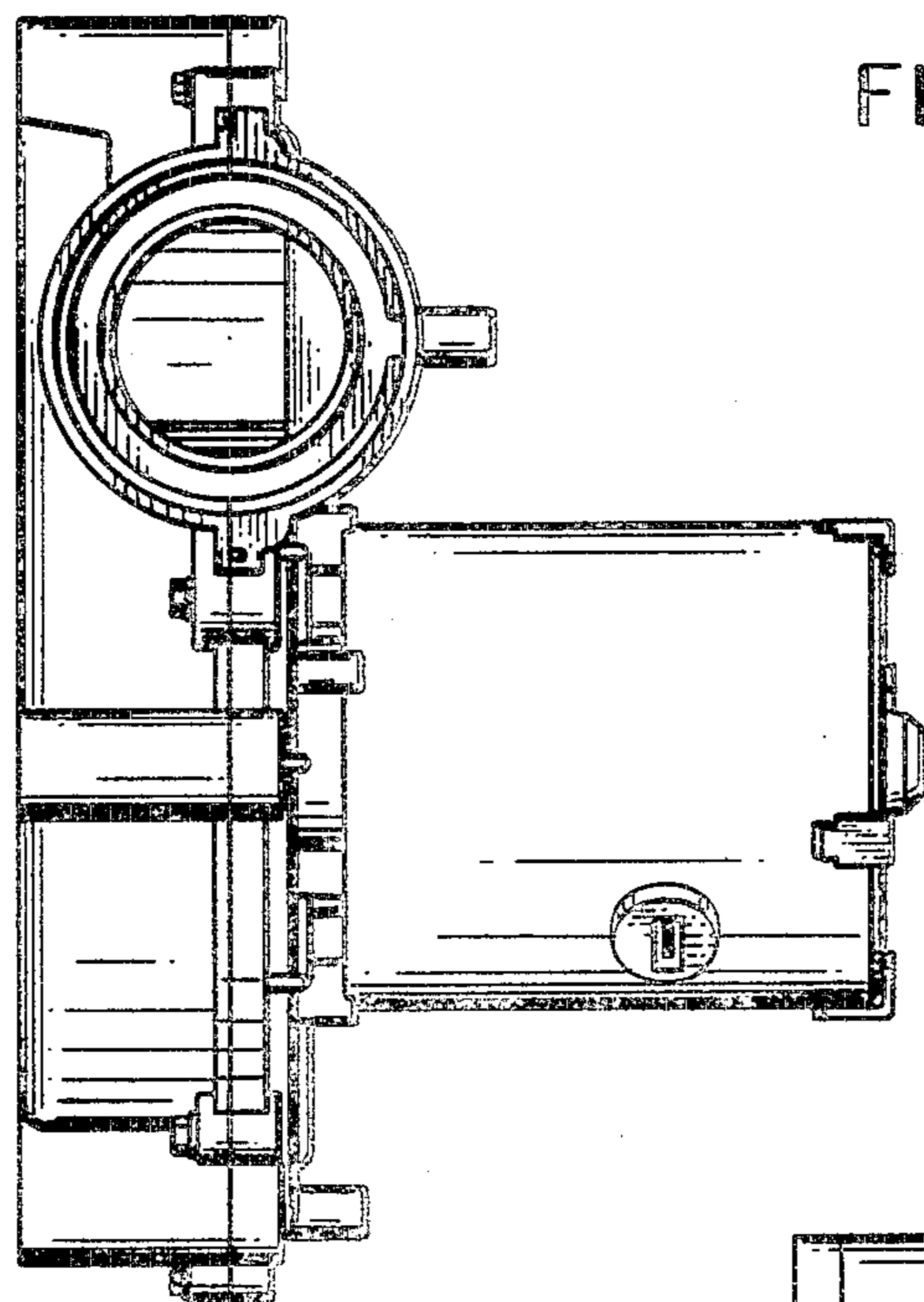


FIG. 5

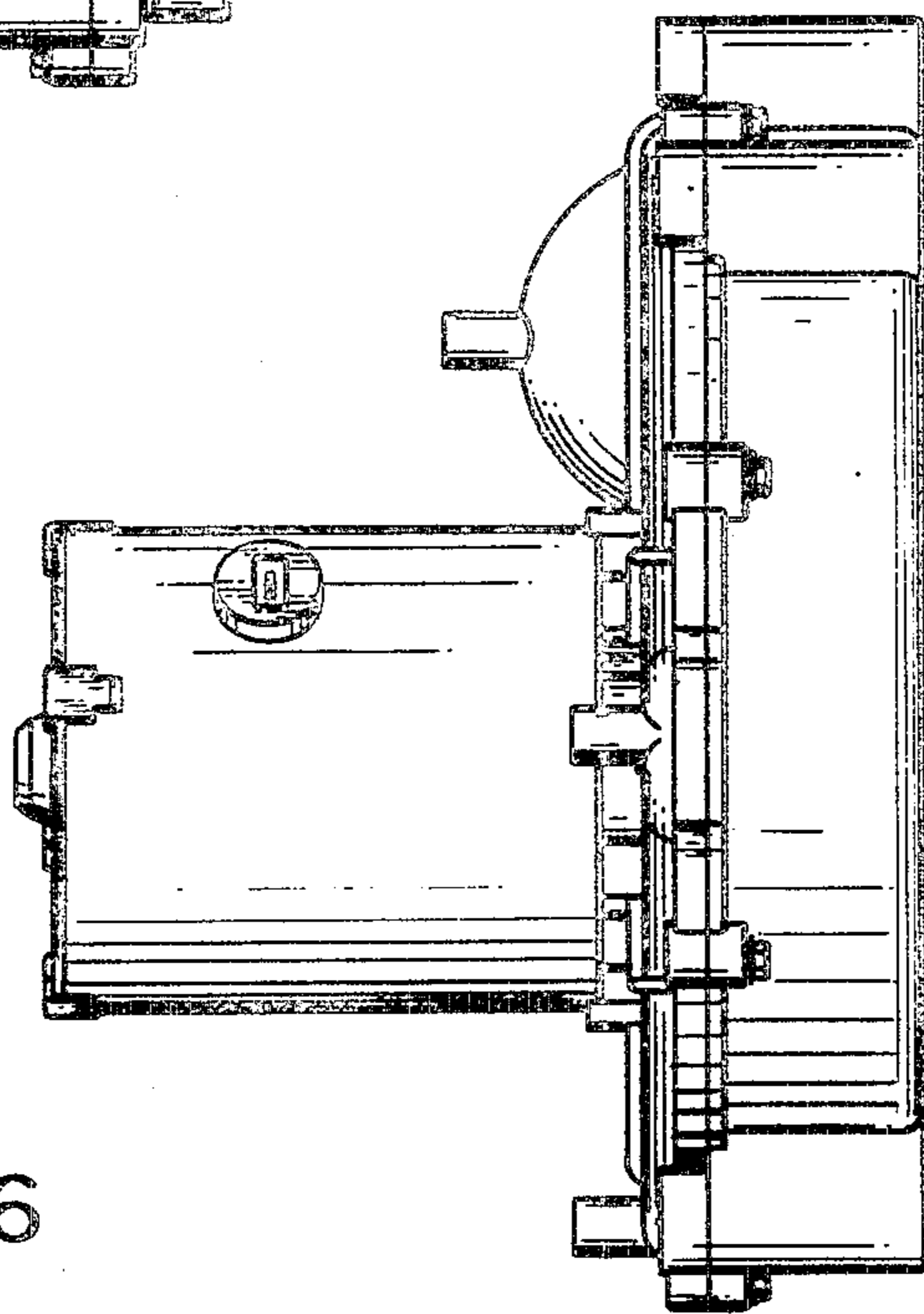


FIG. 6