

[54] ELECTRICAL RADIANT HEATER
 [75] Inventor: Kazuharu Nakamura, Nagoya, Japan
 [73] Assignee: Toyotomi Kogyo Co., Ltd., Aichi, Japan
 [**] Term: 14 Years
 [21] Appl. No.: 682,132
 [22] Filed: Dec. 17, 1984

[30] Foreign Application Priority Data
 Jun. 19, 1984 [JP] Japan 59-25281
 [52] U.S. Cl. D23/123
 [58] Field of Search D23/122, 123, 124;
 219/342, 343, 347, 354

[56] References Cited
 U.S. PATENT DOCUMENTS
 D. 225,851 1/1973 Cowan D23/122
 D. 259,892 7/1981 Boekamp D23/122
 D. 267,424 12/1982 Boldt et al. D23/122
 D. 267,971 2/1983 Harrison D23/123
 D. 268,953 5/1983 Kerchner, Jr. D23/123

D. 271,132 10/1983 Boldt et al. D23/123
 D. 276,258 11/1984 Glucksman D23/123
 D. 284,787 7/1986 Nakamura D23/123
 3,867,948 2/1975 Kallenborn 219/354 X

FOREIGN PATENT DOCUMENTS

60596 5/1968 Fed. Rep. of Germany 219/347

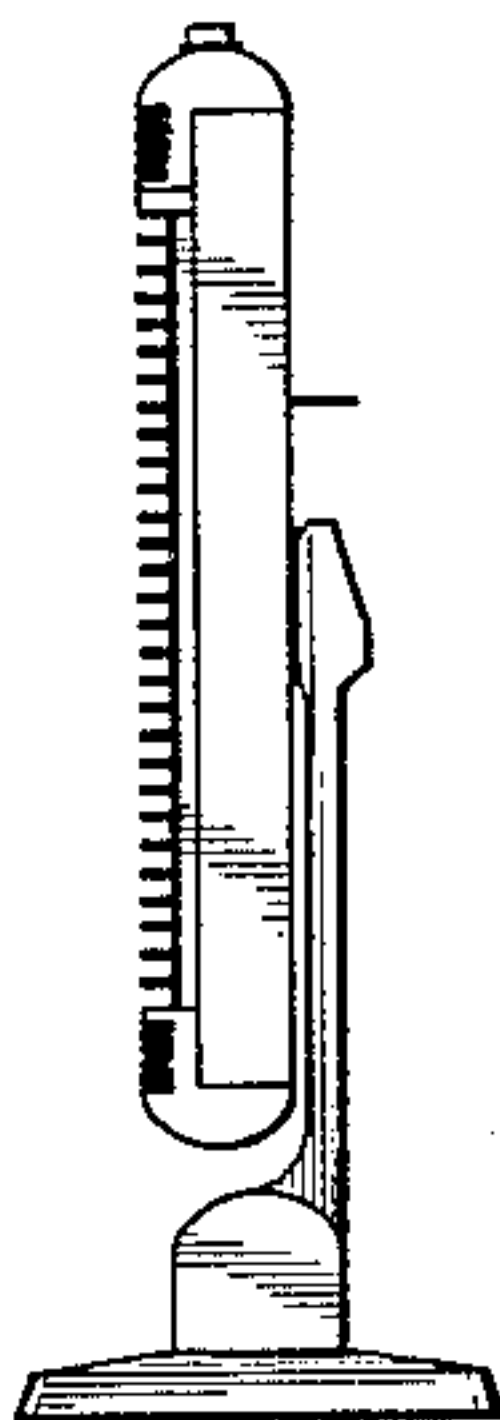
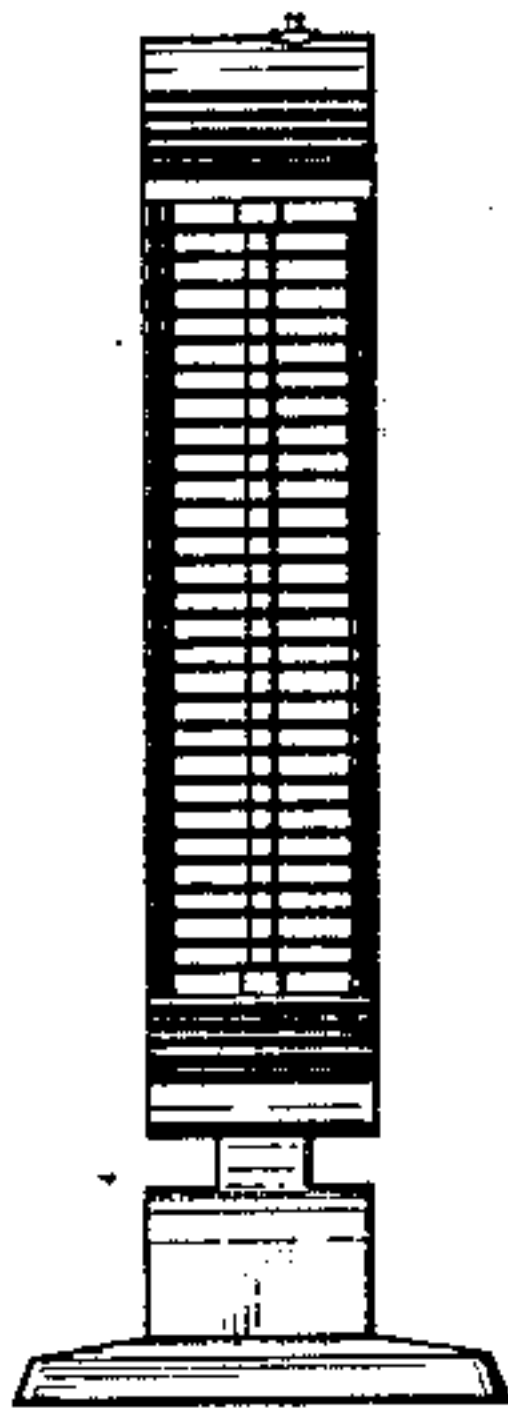
Primary Examiner—Catherine E. Kemper
Attorney, Agent, or Firm—Pollock, Vande Sande & Priddy

[57] CLAIM

The ornamental design for an electrical radiant heater, substantially as shown and described.

DESCRIPTION

FIG. 1 is a front elevational view of an electrical radiant heater, showing my new design;
 FIG. 2 is a rear elevational view thereof;
 FIG. 3 is a left side elevational view, the right side being a mirror image thereof;
 FIG. 4 is a top plan view thereof.
 The bottom surface of the electrical radiant heater is substantially planar and unornamented.



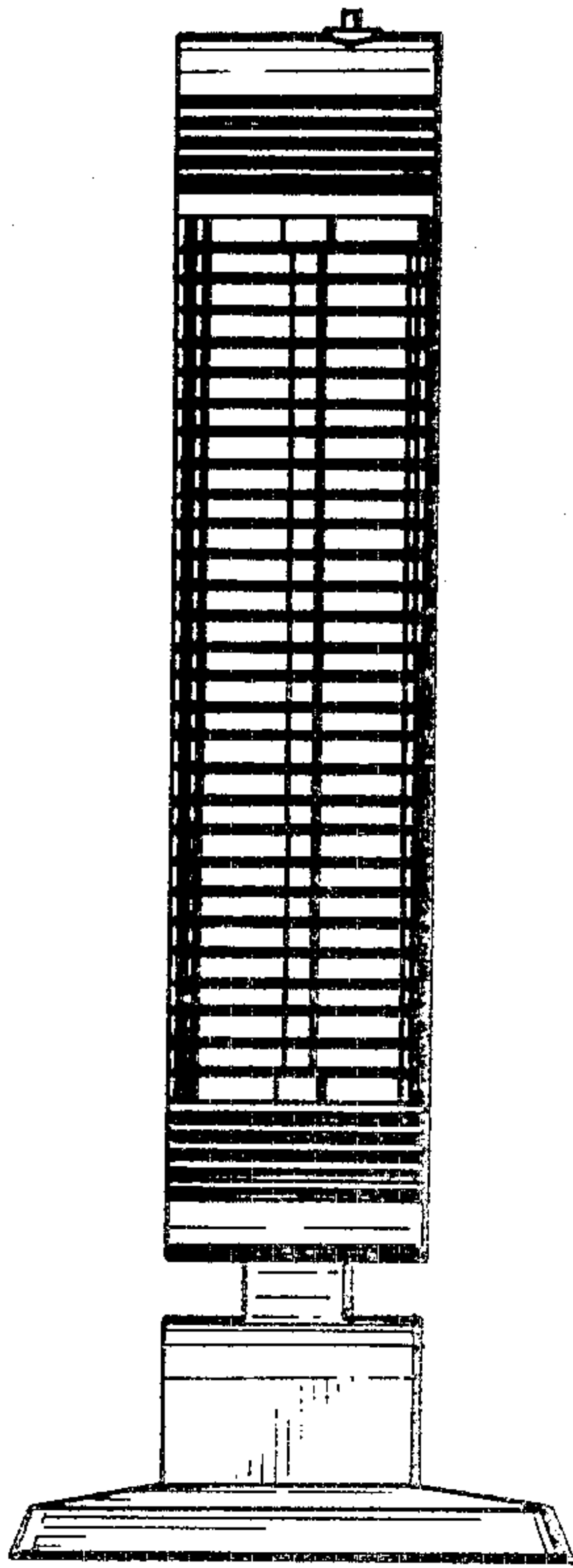


FIG 1

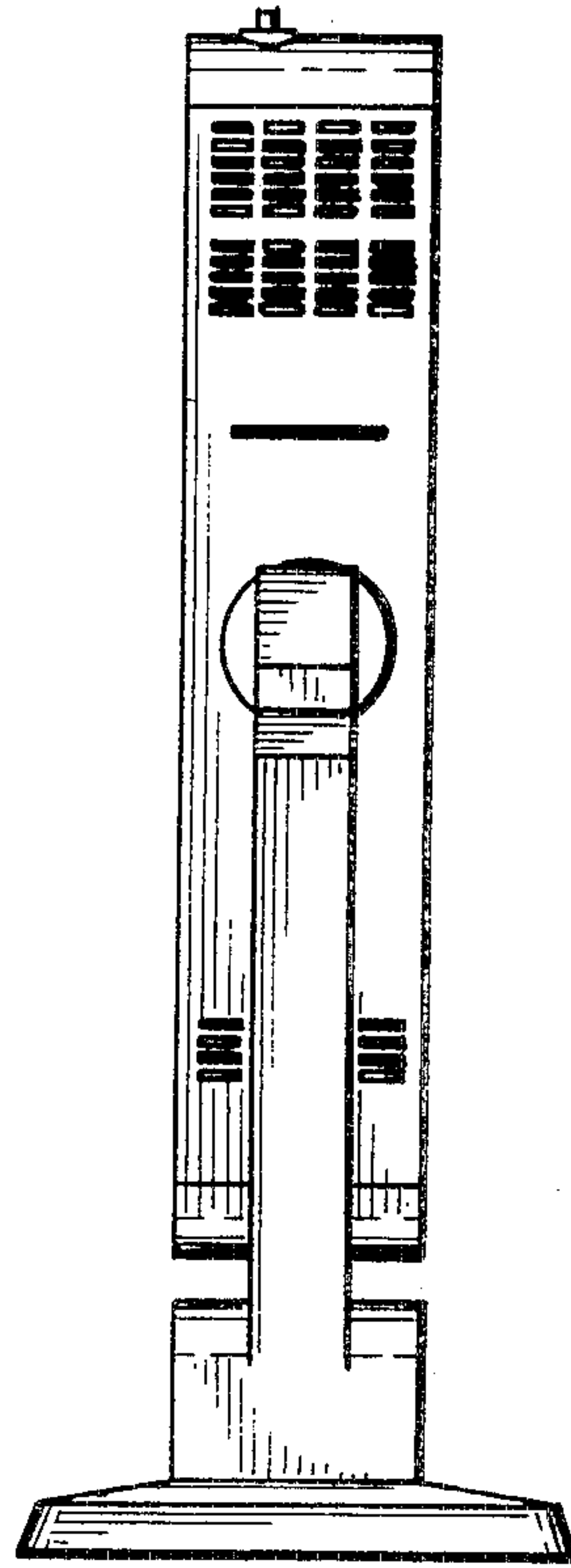


FIG 2

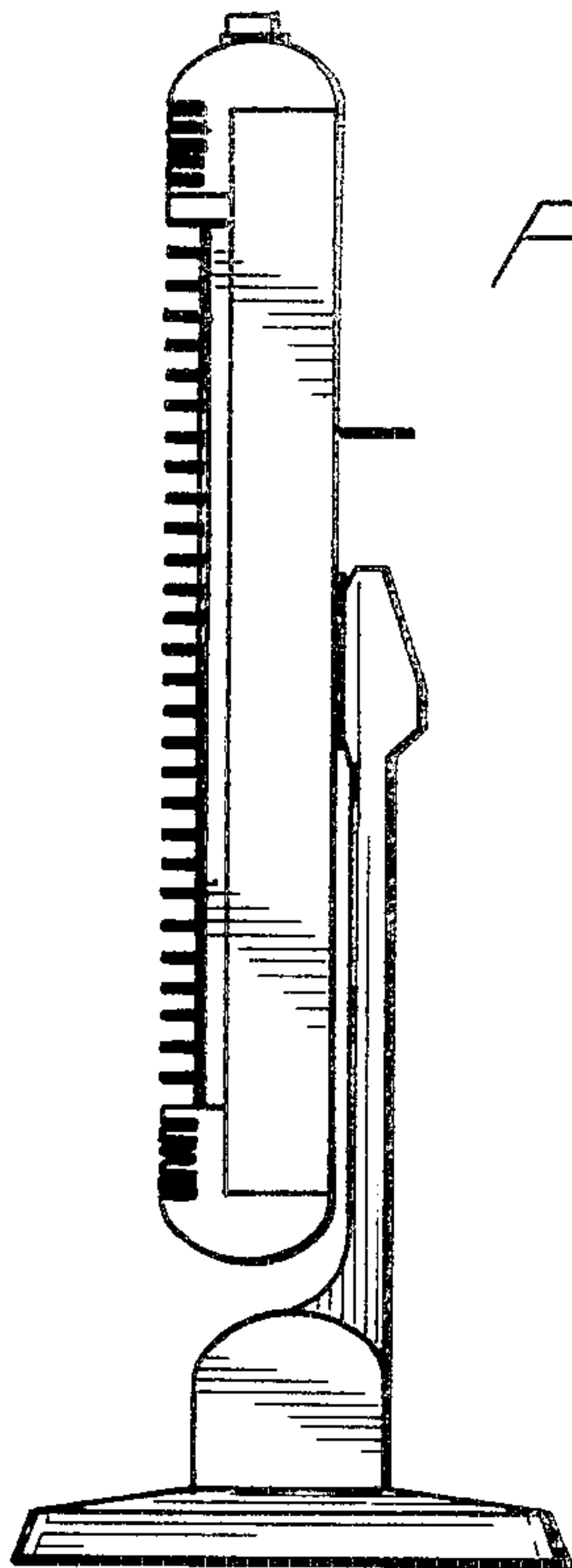


FIG 3

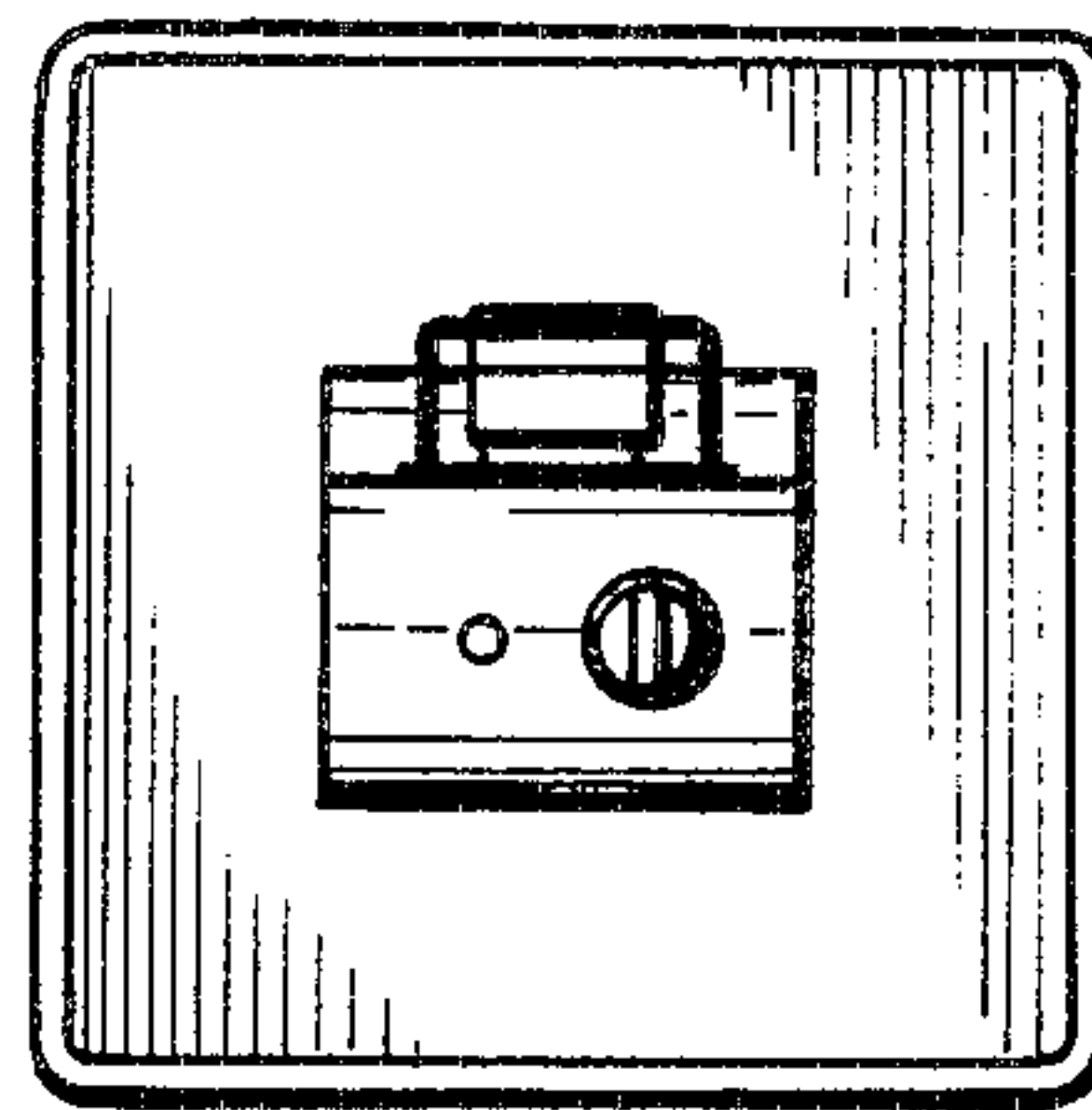


FIG 4