

United States Patent [19]

Hodge et al.

[11] Patent Number: **Des. 289,677**

[45] Date of Patent: **** May 5, 1987**

[54] **SHOWER FIXTURE HAVING TWIN
OUTLETS EXTENDING FROM A SINGLE
INLET**

[75] Inventors: **William E. Hodge**, West Vancouver;
Hugh M. R. Fenton, North
Vancouver, both of Canada

[73] Assignee: **Double Shot Enterprises Inc.**, North
Vancouver, Canada

[**] Term: **14 Years**

[21] Appl. No.: **587,803**

[22] Filed: **Mar. 9, 1984**

[30] **Foreign Application Priority Data**

Sep. 13, 1983 [CA] Canada 13-09-83-4
[52] U.S. Cl. **D23/40**
[58] Field of Search D23/57, 69, 40, 45;
4/601; 138/155; 239/443, 565; 285/155, 157,
150

[56] **References Cited**

U.S. PATENT DOCUMENTS

D. 249,276 9/1978 Levin D23/40

FOREIGN PATENT DOCUMENTS

246304 6/1963 Australia 285/155
23061 of 1898 United Kingdom 285/155

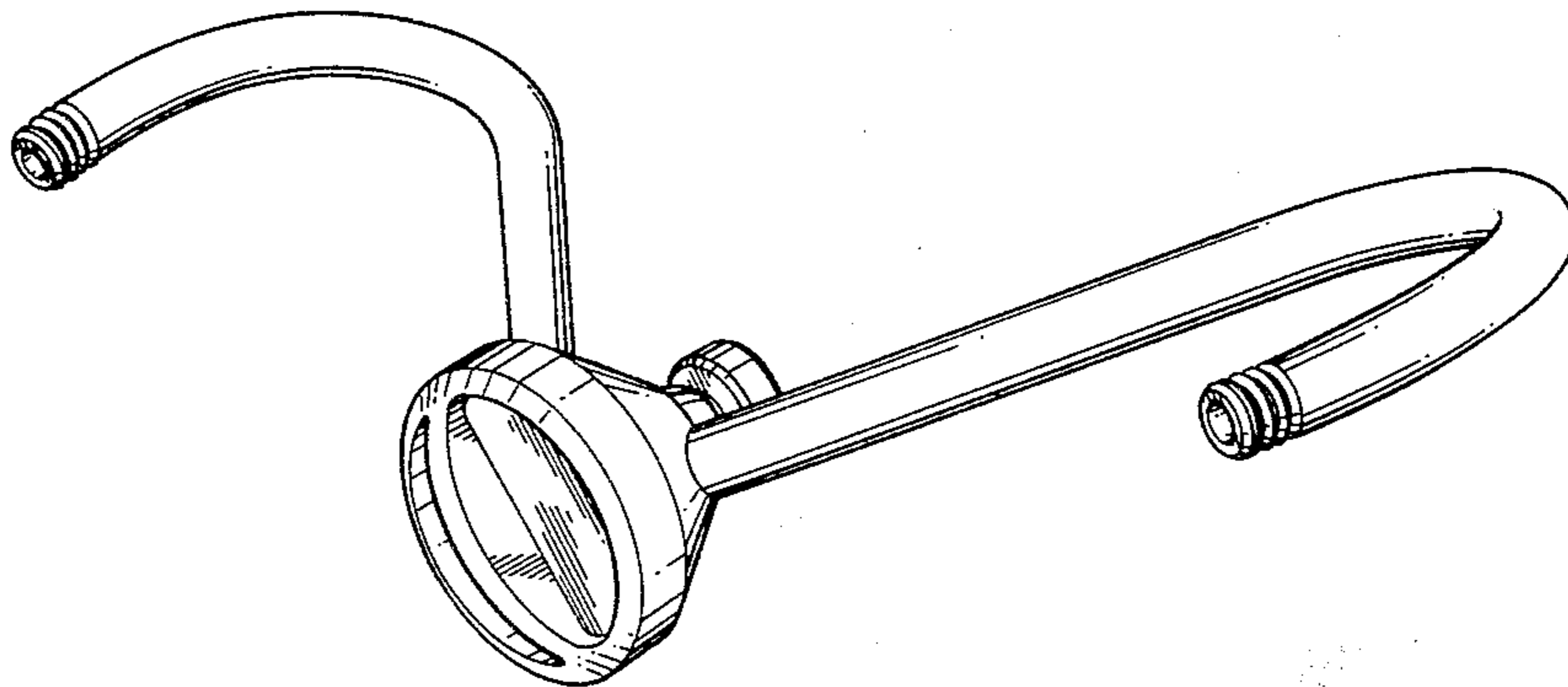
Primary Examiner—James M. Gandy
Attorney, Agent, or Firm—Carver & Co.

[57] **CLAIM**

The ornamental design for a shower fixture having twin outlets extending from a single inlet, as shown.

DESCRIPTION

FIG. 1 is a perspective view of a shower fixture having two outlets extending from a single inlet showing our new design;
FIG. 2 is a front elevation view thereof;
FIG. 3 is a rear elevation view thereof;
FIG. 4 is a side elevation view thereof;
FIG. 5 is an opposite side elevation view thereof;
FIG. 6 is a top plan view thereof; and
FIG. 7 is a bottom plan view thereof.



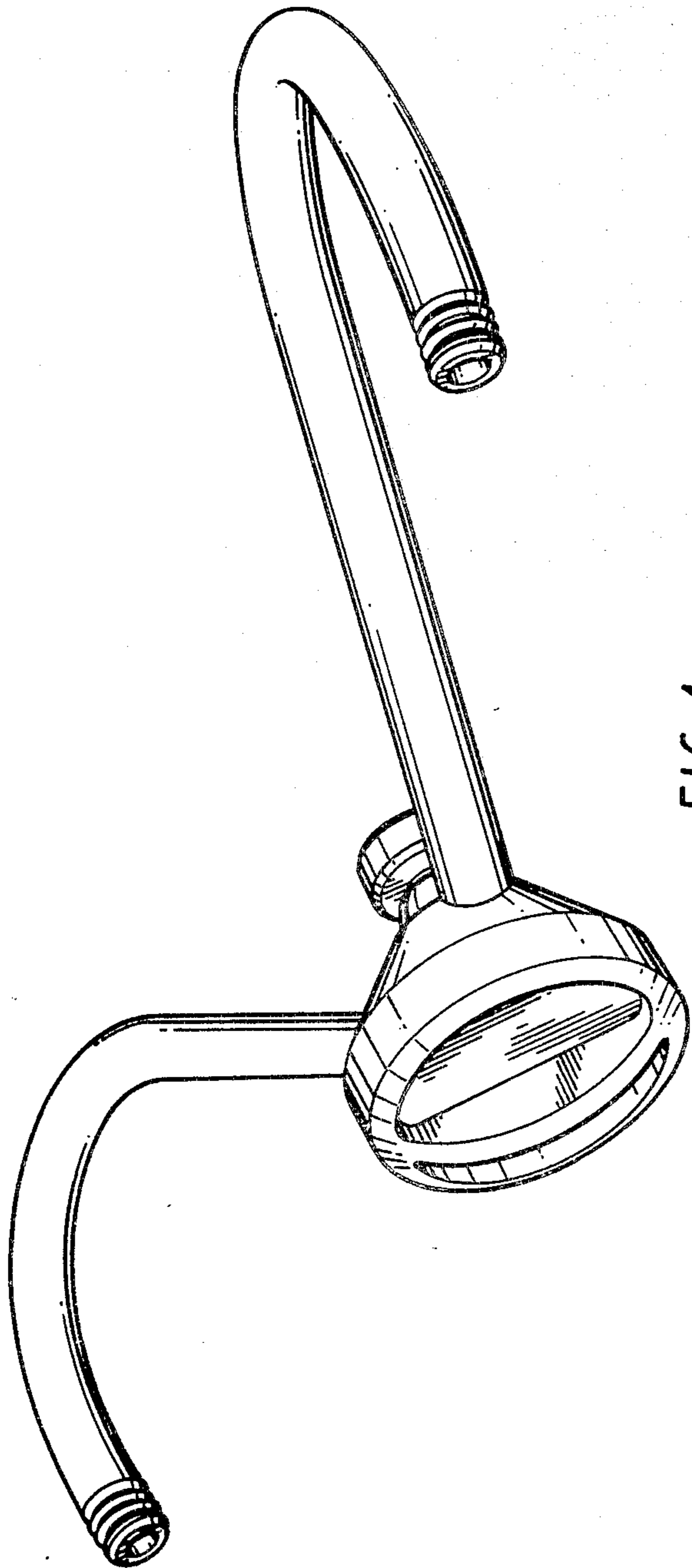
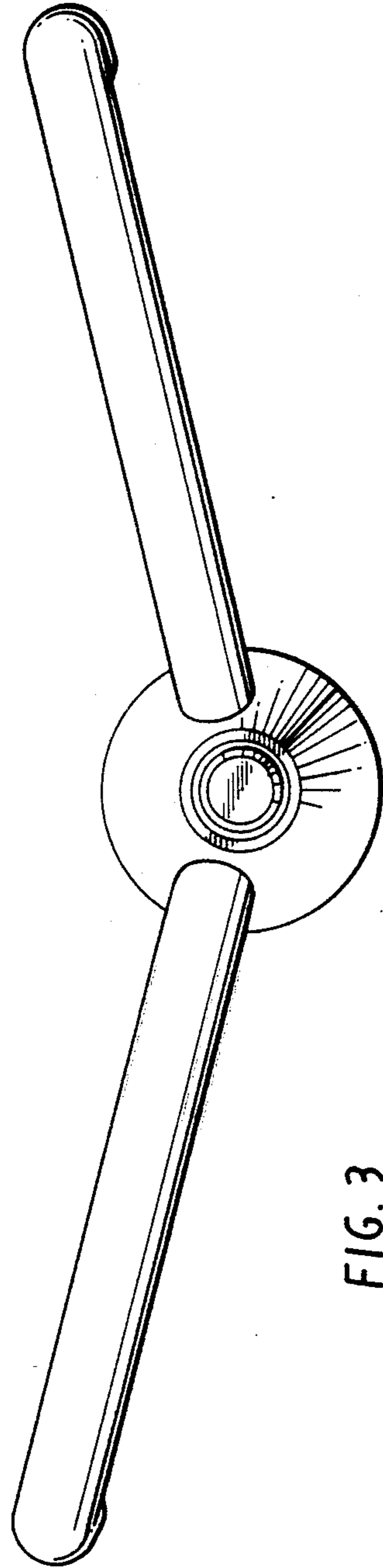
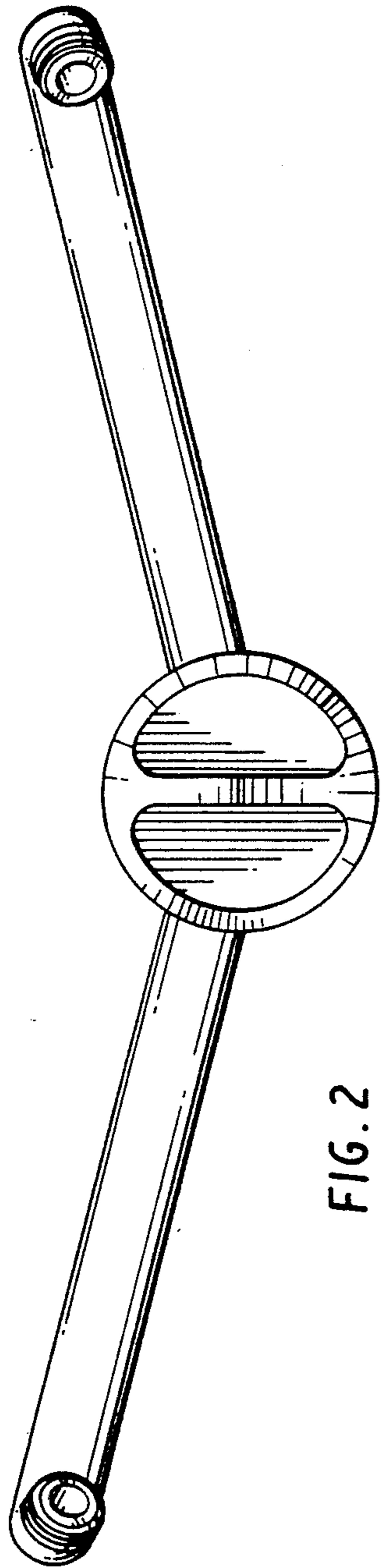


FIG. 1



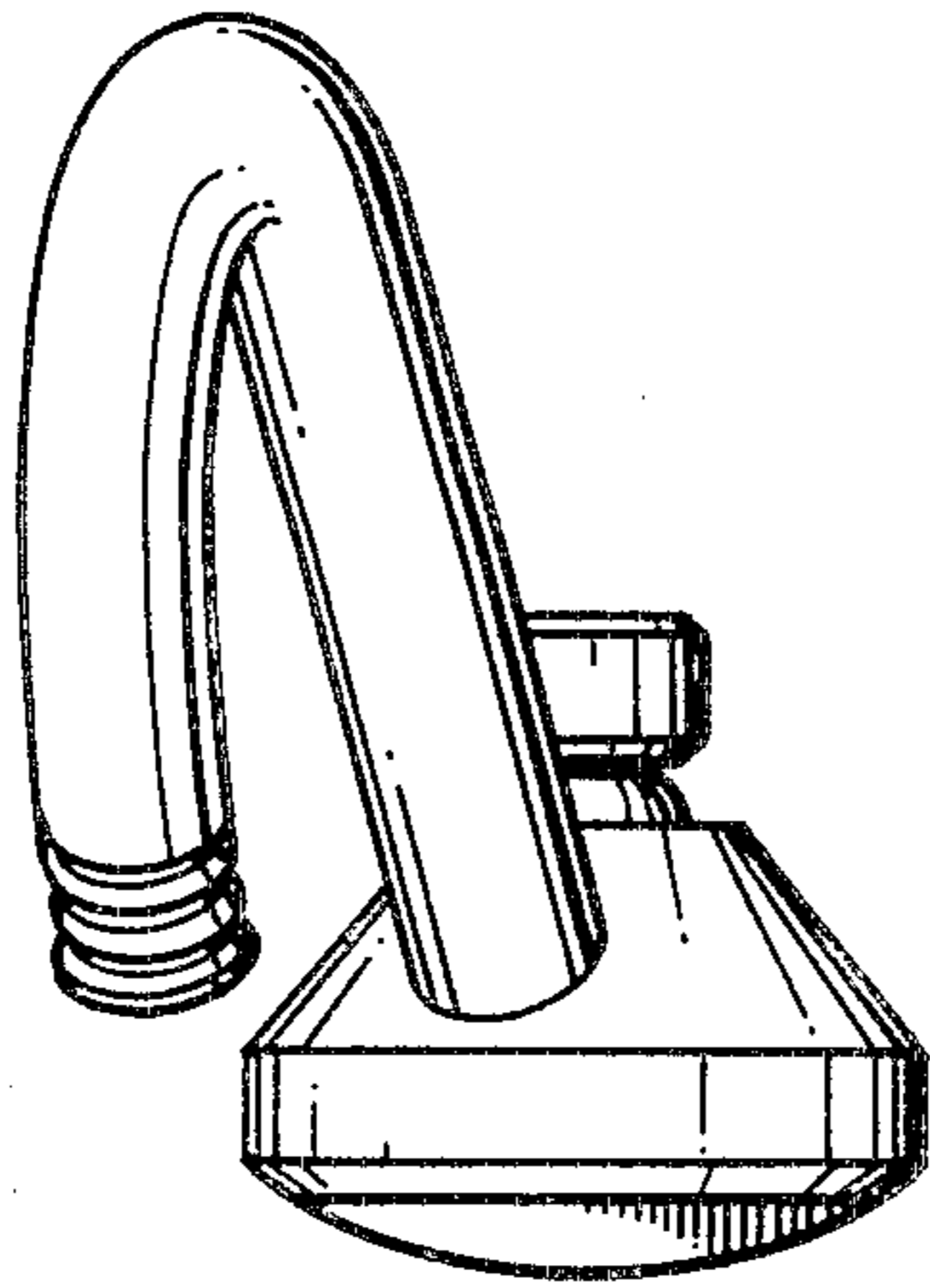


FIG. 4

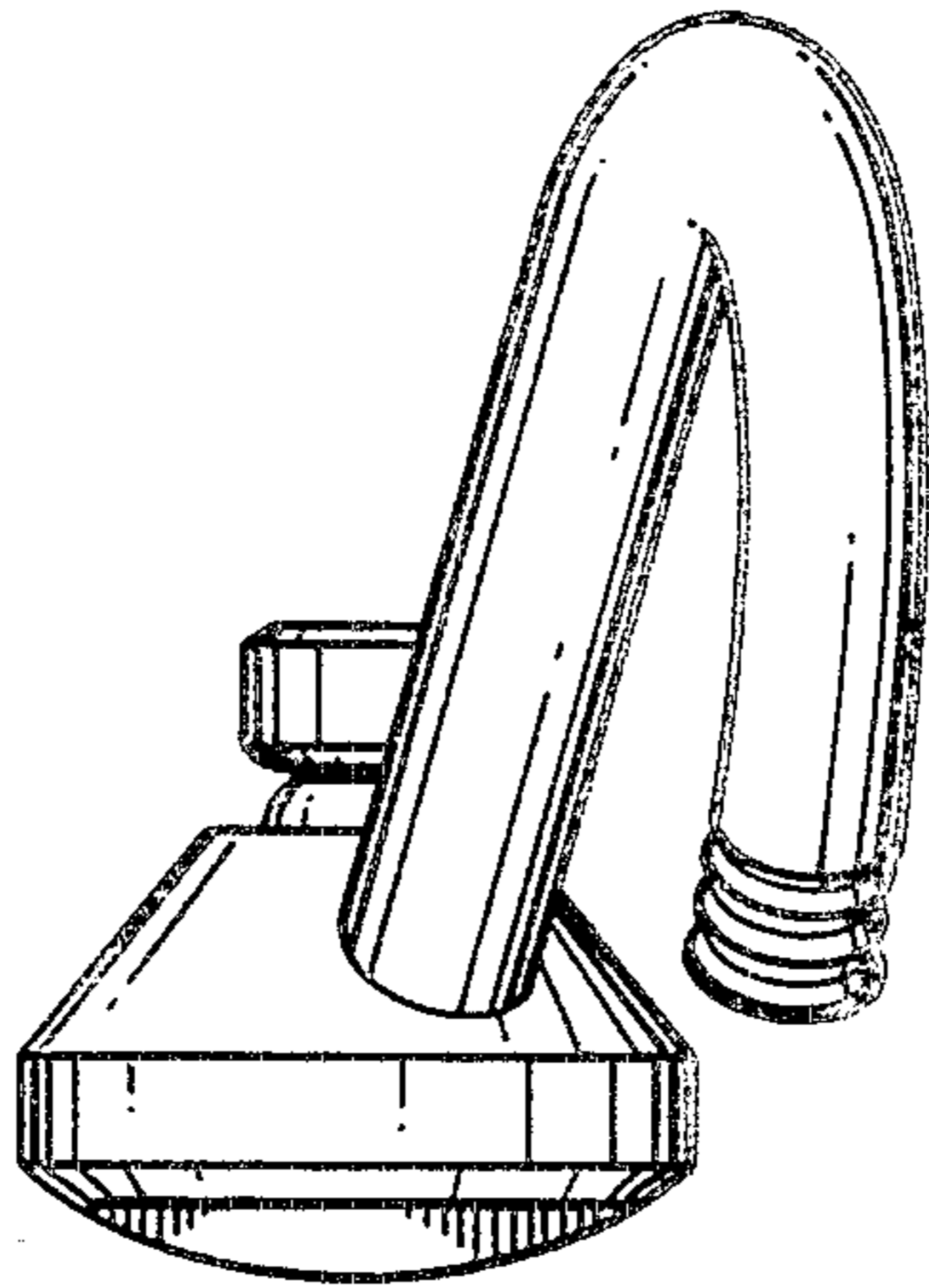


FIG. 5

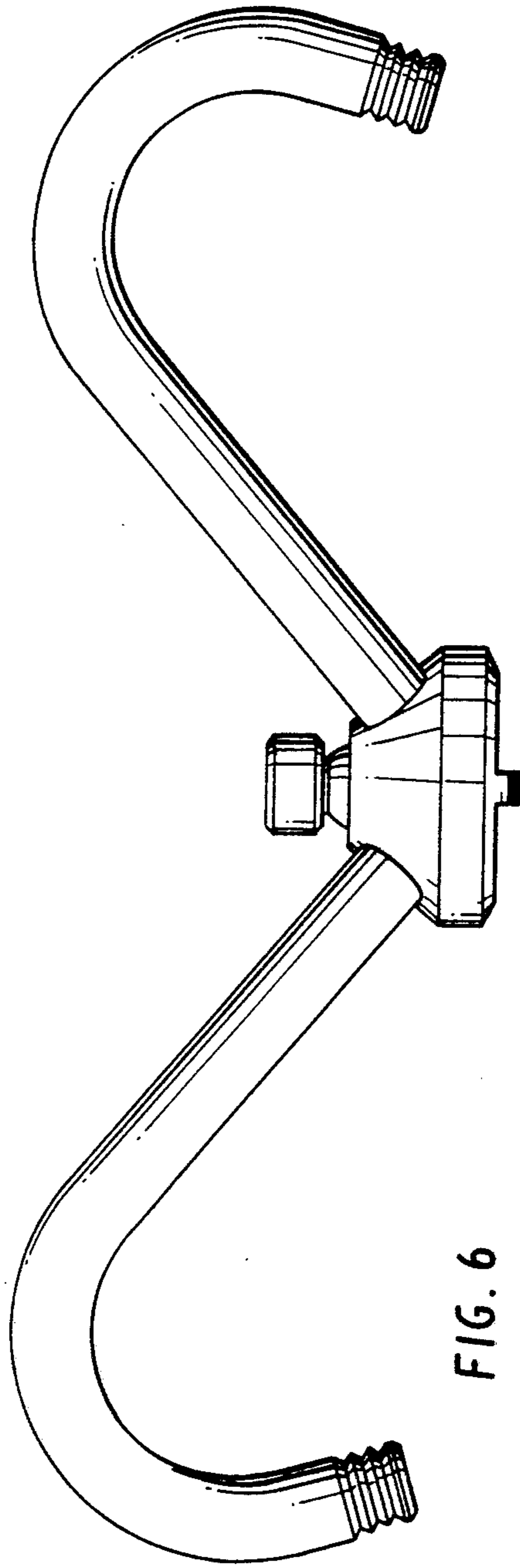


FIG. 6

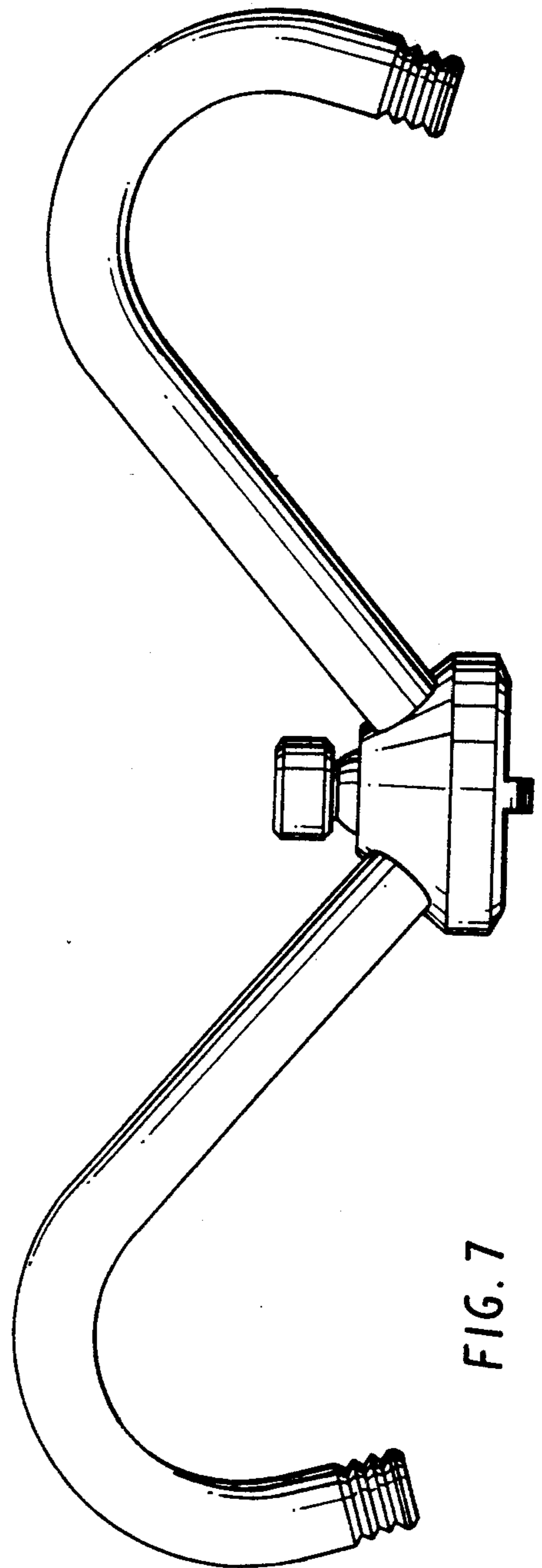


FIG. 7